

# MPS 400 EC 21

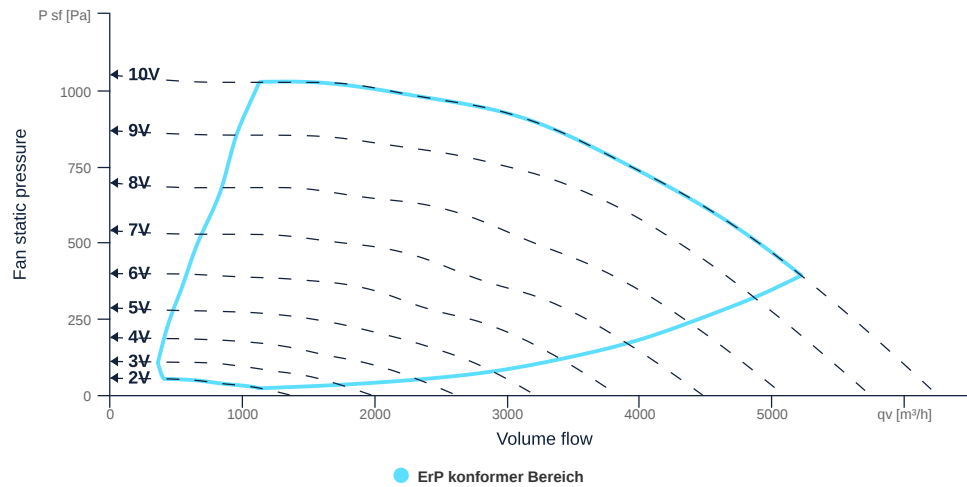
139717

- Backward curved radial impeller
- Swing out fan unit
- Sheet steel housing double-walled, 40 mm mineral wool
- High efficiency EC motor outside the air flow
- Conveyed medium temperature up to 120 °C in continuous operation
- With condensate and grease drain



## MAP

Name	Value	Unit
Volume flow	0	m³/h
Pressure	0	Pa



to the product detail page

# MPS 400 EC 21

139717

## GENERAL DATA

Name	Value	Unit	Formula symbol
Labeling	CE, UKCA		
Duct size	-		WxH <sub>duct</sub>
Pipe connection size (DN)	DN355		DN
Rated voltage (entire device)	230	V	U <sub>rated</sub>
Phases (entire device)	1~		phase
Electrical protection (entire device)	10 A		fuse
Housing material	Galvanized steel		mat <sub>casing</sub>
Impeller material	Steel		mat <sub>impeller</sub>
Weight	62	kg	m
Nominal air flow rate, nominal point m <sup>3</sup> /h	3247.2	m <sup>3</sup> /h	q <sub>v,nom</sub>
Nominal external pressure, static	732.2	Pa	p <sub>s,nom</sub>
Fan type	Radial		Fan <sub>type</sub>
Category / Installation situation	A		cat

## ERP DATA (LOT 6)

Name	Value	Unit	Formula symbol
Nominal air flow rate, nominal point m <sup>3</sup> /s	0.9	m <sup>3</sup> /s	q <sub>v,nom</sub>
Actual electrical input power, nominal point	1.04	kW	P <sub>e,nom</sub>
Face velocity, nominal point	9.1	m/s	v <sub>nom</sub>
Nominal external pressure, static	732.2	Pa	p <sub>s,nom</sub>
supply air fan static efficiency, nominal point	67.3	%	η <sub>es,SUP</sub>
Highest external air leakage rate	0.27	%	
Enclosure sound level, nominal point	78	dB(A)	L <sub>WA2</sub>
Rating	Product is compliant 2018		

## MAXIMAL DATA

Name	Value		Unit	Formula symbol
	50 Hz	60 Hz		
Max. power consumption (device)	1342	1342	W	P <sub>ed,max</sub>
Max. operating current (device)	6.13	6.13	A	I <sub>ed,max</sub>
Max. speed	2060	2060	1/min	n <sub>max</sub>
Max. stat. efficiency	59.9	59.9	%	η <sub>es</sub>
Max. fan efficiency	64.5	64.5	%	η <sub>e</sub>
Max. flowrate	6245	6245	m <sup>3</sup> /h	q <sub>v,max</sub>
Max. stat pressure	1050	1050	Pa	p <sub>st,max</sub>
Max. medium temperature	120	120	°C	T <sub>m,max</sub>
Max. environment temperature	45	45	°C	T <sub>amb,max</sub>
Min. environment temperature	-10	-10	°C	T <sub>amb,min</sub>



to the product detail page

# MPS 400 EC 21

139717

**ruck**

## MOTOR DATA

Name	Value		Unit	Formula symbol
	50 Hz	60 Hz		
Rated frequency (device)		50		f
Motor type		EC		phase
Control type		stepless-controlled		ctrltype
Installation type		IRM (In)		install
Rotation direction		right		rotation
Motor-protection		TEC		protectmotor
Protection class		IP54		IPmotor
Is pole-changeable		No		polexch
Rated current	4		A	Irated, f1
UL-Certification motor		None		ULcert

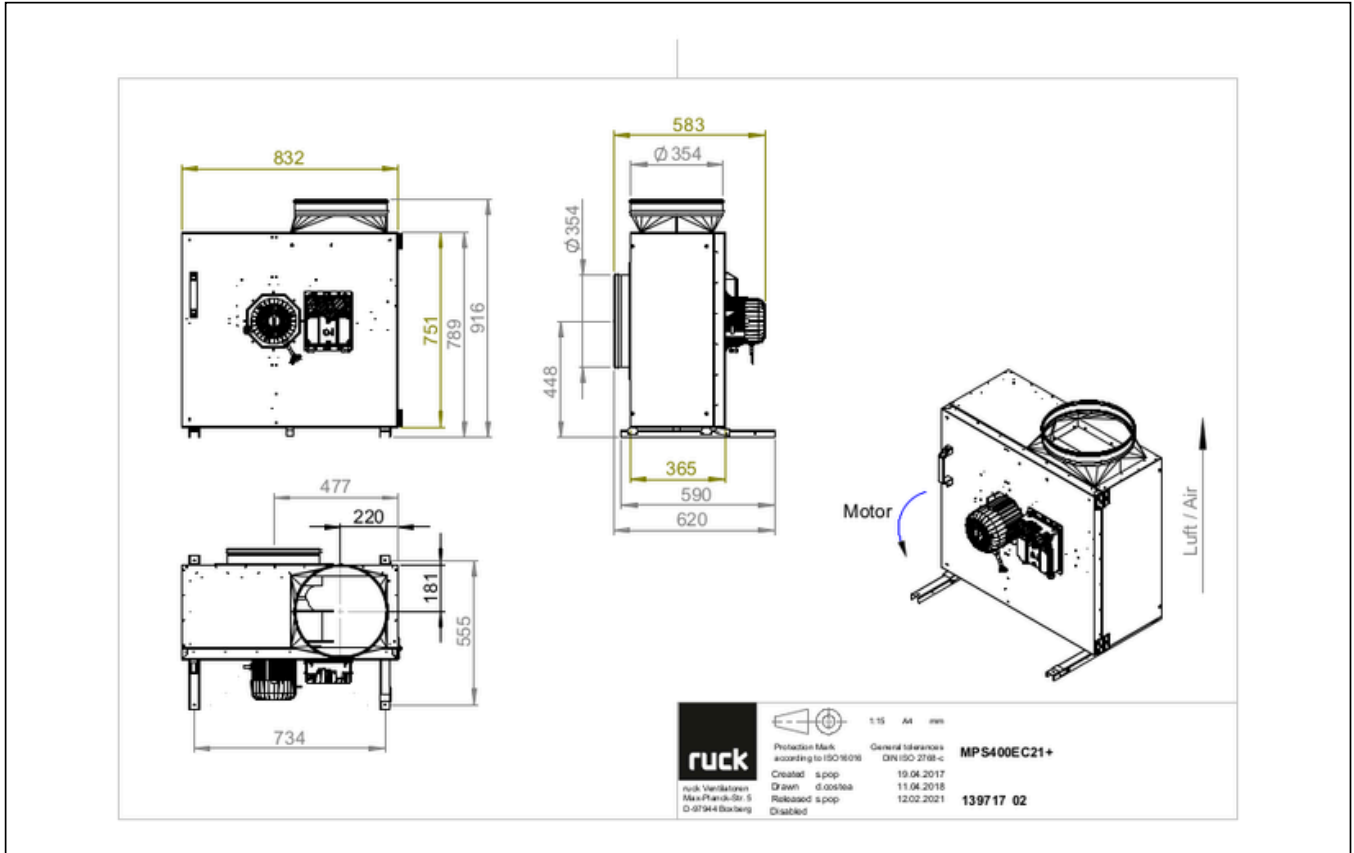


to the product detail page

# MPS 400 EC 21

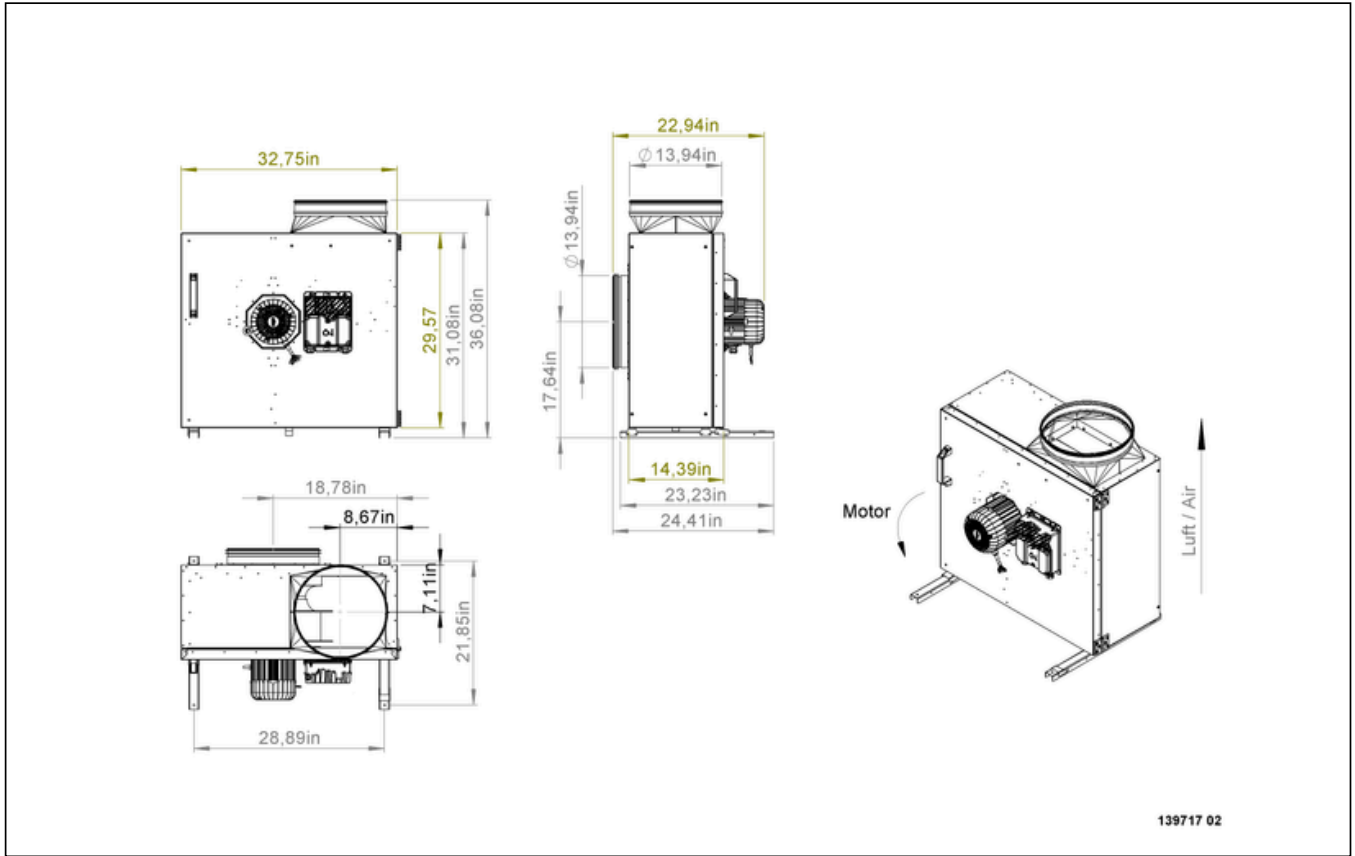
139717

## CIRCUIT DIAGRAMS / DIMENSIONAL DRAWINGS



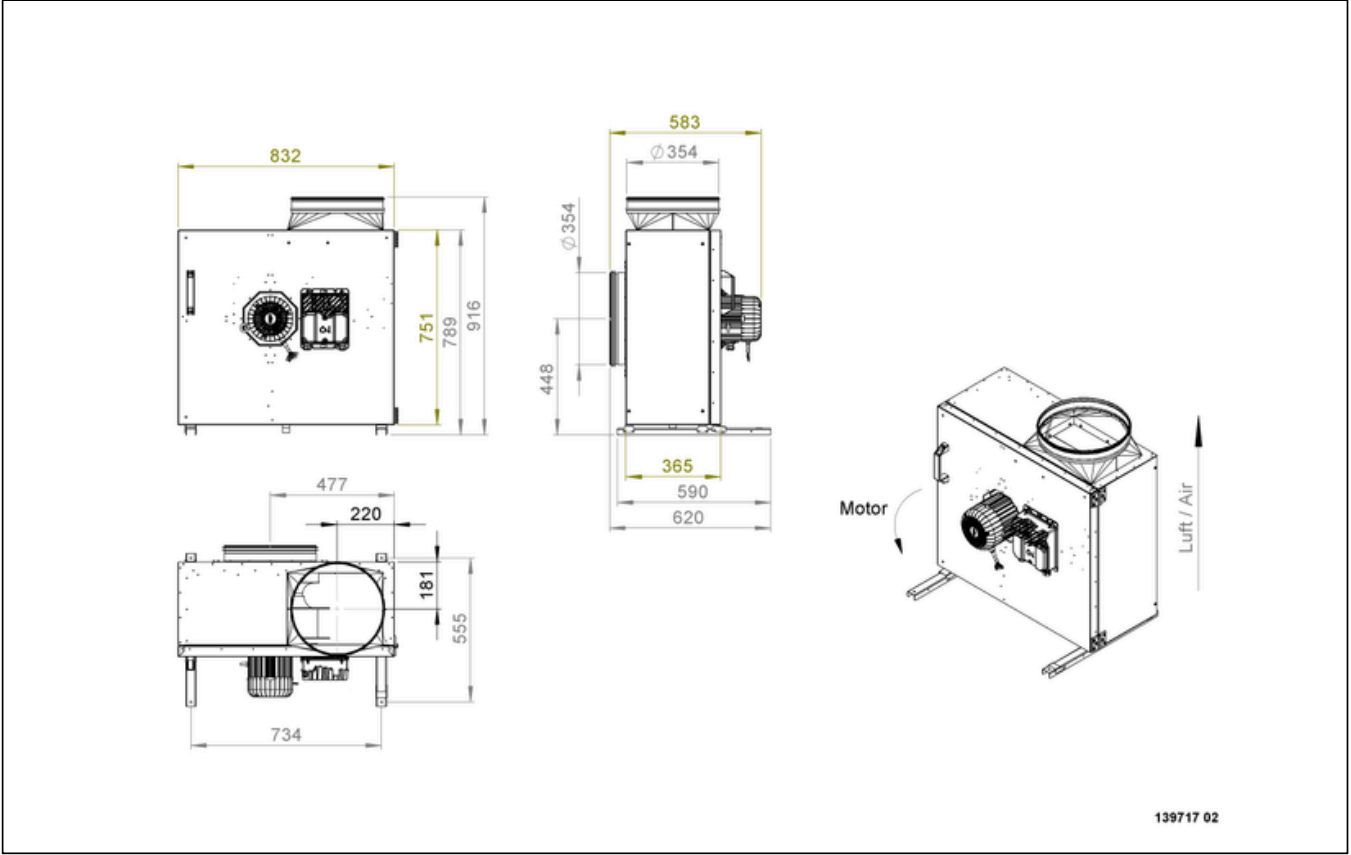
# MPS 400 EC 21

139717



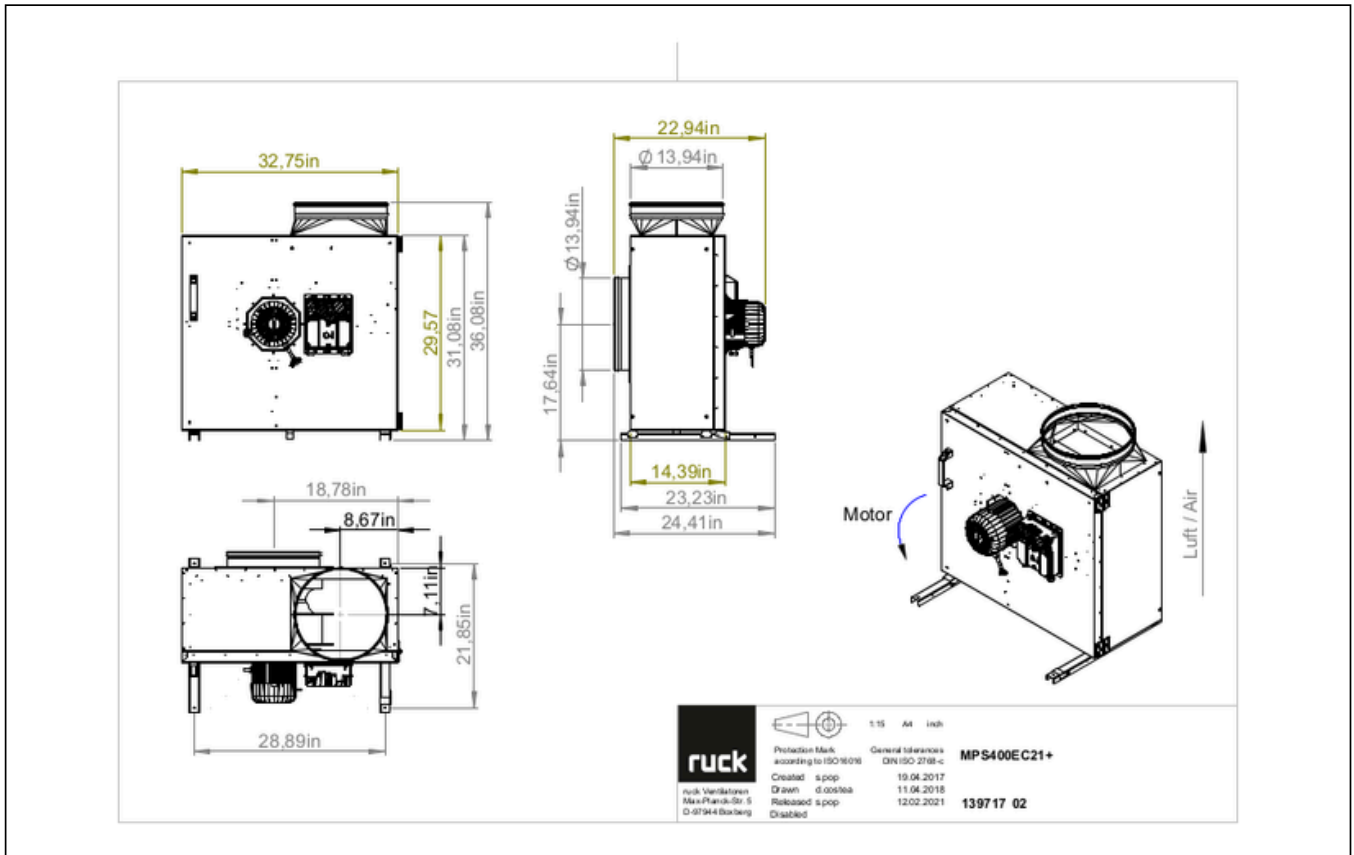
# MPS 400 EC 21

139717



# MPS 400 EC 21

139717



## MECHANICAL ACCESSORIES

**RSK 355 | 102665**



- Back draught shutter for tube fitting
- Galvanized steel sheet housing
- Aluminum flaps

**RSK 355D | 113491**



- Back draught shutter for tube fitting
- Galvanized steel sheet housing
- Aluminum flaps
- Integrated gasket

**WK MPS 07 | 127953**



- Wall mounting bracket for box fan
- Galvanized steel sheet
- 1 Pack = 2 pieces

**VM 355 | 102653**



- Fast clamps for sound decoupling and sealing
- Galvanized steel sheet, 5 mm
- Neopren gasket
- 1 Pack = 2 pieces

**WSH MPS EC 03 | 136001**



- Weather protection hood for motor
- Galvanized steel sheet



to the product detail page

## ELECTRICAL ACCESSORIES

GS 03 | 107633



- Device switch
- $U_{max} = 400\text{ V}$ ,  $I_{max} = 25\text{ A}$
- Switching capacity  $400\text{ V } 3\sim = 5,5\text{ kW}$
- Protection class IP 55

MTP 20 | 128146



- Potentiometer  $10\text{ k}\Omega$
- Switching contact  $1\text{A}/250\text{V AC} - 2,5\text{A}/12\text{V DC}$
- Max. ambient temperature  $50\text{ }^\circ\text{C}$
- VDE

MTP 30 | 143289



- Stepped potentiometer  $10\text{ k}\Omega$
- Step 1 + 2 settable  $10\% - 100\% \text{ Vdc}$
- Step 3  $100\% \text{ Vdc}$
- Supply voltage  $+10\text{ Vdc}$

MTP 40 | 147359



- Potentiometer  $10\text{ k}\Omega$
- Connection in terminal box
- Max. ambient temperature  $50\text{ }^\circ\text{C}$
- PU: 20 pieces

SEN AIR | 148641



- Airflow and temperature transducer
- Measuring range temperature  $0...+50\text{ }^\circ\text{C}$
- With adjustable switching threshold (air speed)
- Measuring range air velocity up to  $20\text{ m/s}$

CON P1000 | 115259



- Constant pressure control
- Actual value display possible via optional control unit
- Output  $0-10\text{ V DC} + \text{FC enable} + \text{setpoint reached}$
- Pressure setting by means of decade switch

SEN P1000 | 126080



- Differential pressure sensor
- P-control, PV-control
- P = 2 pcs. required, PV = 1 pcs. required

MTP 50 | 153133



- Potentiometer with multifunction output
- $230\text{ VAC } \pm 10\% / 50-60\text{ Hz}$
- Selectable output:  $1-10\text{ VDC} / 2-20\text{ mA} / 10-100\% \text{ PWM}$
- Min. and max. output value adjustable

