

MPS 315 EC 30

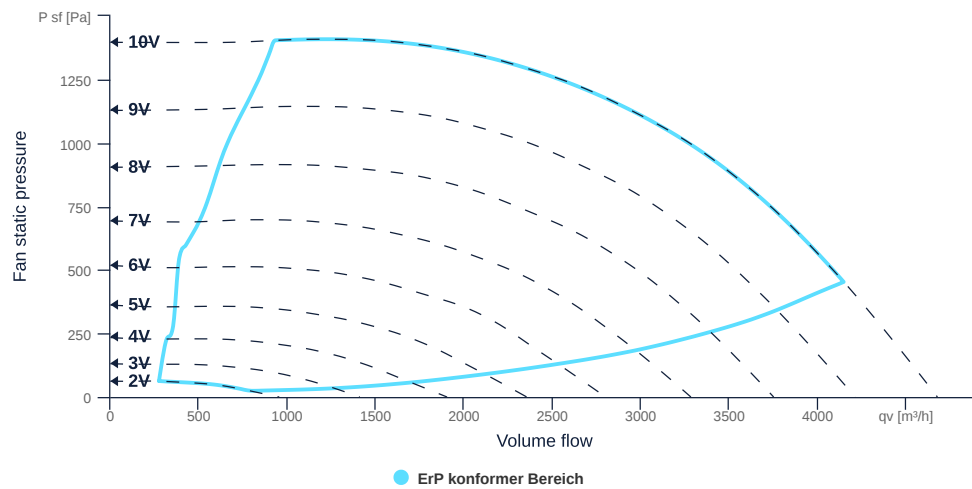
149313

- Backward curved radial impeller
- Swing out fan unit
- Sheet steel housing double-walled, 40 mm mineral wool
- High efficiency EC motor outside the air flow
- Conveyed medium temperature up to 120 °C in continuous operation
- With condensate and grease drain



MAP

Name	Value	Unit
Volume flow	0	m³/h
Pressure	0	Pa



to the product detail page

MPS 315 EC 30

149313

GENERAL DATA

Name	Value	Unit	Formula symbol
Labeling	CE, UKCA		
Duct size	-		WxH _{duct}
Pipe connection size (DN)	DN355		DN
Rated voltage (entire device)	230	V	U _{rated}
Phases (entire device)	1~		phase
Electrical protection (entire device)	16 A		fuse
Housing material	Galvanized steel		mat _{casing}
Impeller material	Steel		mat _{impeller}
Weight	50.95	kg	m
Nominal air flow rate, nominal point m ³ /h	2595.6	m ³ /h	q _{v,nom}
Nominal external pressure, static	1034	Pa	p _{s,nom}
Fan type	Radial		Fan _{type}
Category / Installation situation	A		cat

ERP DATA (LOT 6)

Name	Value	Unit	Formula symbol
Nominal air flow rate, nominal point m ³ /s	0.72	m ³ /s	q _{v,nom}
Actual electrical input power, nominal point	1.16	kW	P _{e,nom}
Face velocity, nominal point	7.3	m/s	v _{nom}
Nominal external pressure, static	1034	Pa	p _{s,nom}
supply air fan static efficiency, nominal point	66.73	%	η _{es,SUP}
Highest external air leakage rate	0.31	%	
Enclosure sound level, nominal point	77	dB(A)	L _{WA2}
Rating	Product is compliant 2018		

MAXIMAL DATA

Name	Value		Unit	Formula symbol
	50 Hz	60 Hz		
Max. power consumption (device)	1470	1470	W	P _{ed, max}
Max. operating current (device)	10.7	10.7	A	I _{ed, max}
Max. speed	3100	3100	1/min	n _{max}
Max. stat. efficiency	60.4	60.4	%	η _{es}
Max. fan efficiency	62.3	62.3	%	η _e
Max. flowrate	4675	4675	m ³ /h	q _{v, max}
Max. stat pressure	1395	1395	Pa	p _{st, max}
Max. medium temperature	120	120	°C	T _{m, max}
Max. environment temperature	50	50	°C	T _{amb, max}
Min. environment temperature	-20	-20	°C	T _{amb, min}



to the product detail page

MPS 315 EC 30

149313



MOTOR DATA

Name	Value		Unit	Formula symbol
	50 Hz	60 Hz		
Rated frequency (device)		50		f
Motor type		EC		phase
Control type		stepless-controlled		ctrltype
Installation type		IRM (In)		install
Rotation direction		right		rotation
Isolation class		ISO F		ISOclass
Protection class		IP54		IPmotor
Is pole-changeable		No		polexch
Type of power supply		AC 1~		pwrSUPmotor
Rated voltage	230		V	Urated, f1
Rated current	8		A	Irated, f1
Shaft power	3000000		W	Pout, f1
UL-Certification motor		None		ULcert

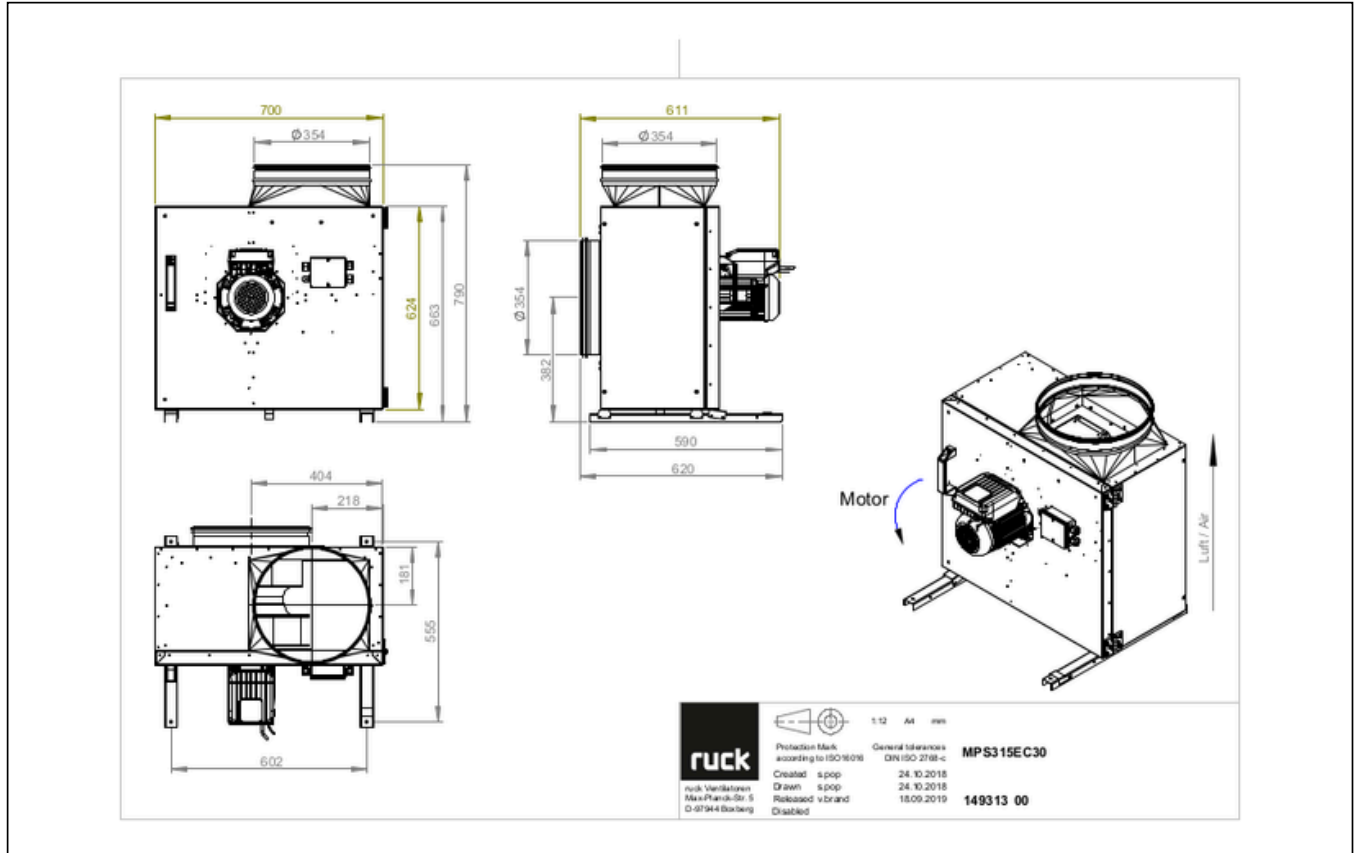


to the product detail page

MPS 315 EC 30

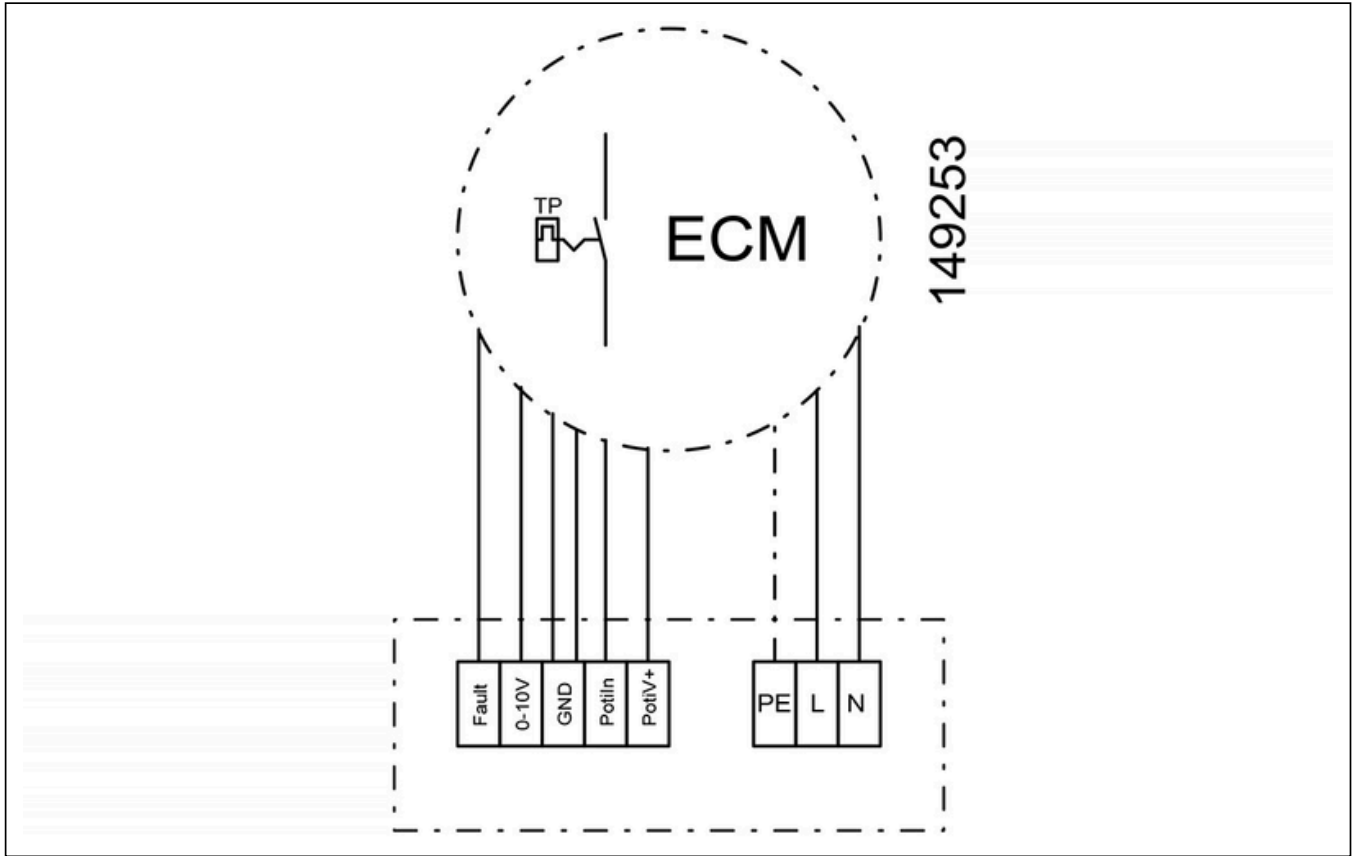
149313

CIRCUIT DIAGRAMS / DIMENSIONAL DRAWINGS



MPS 315 EC 30

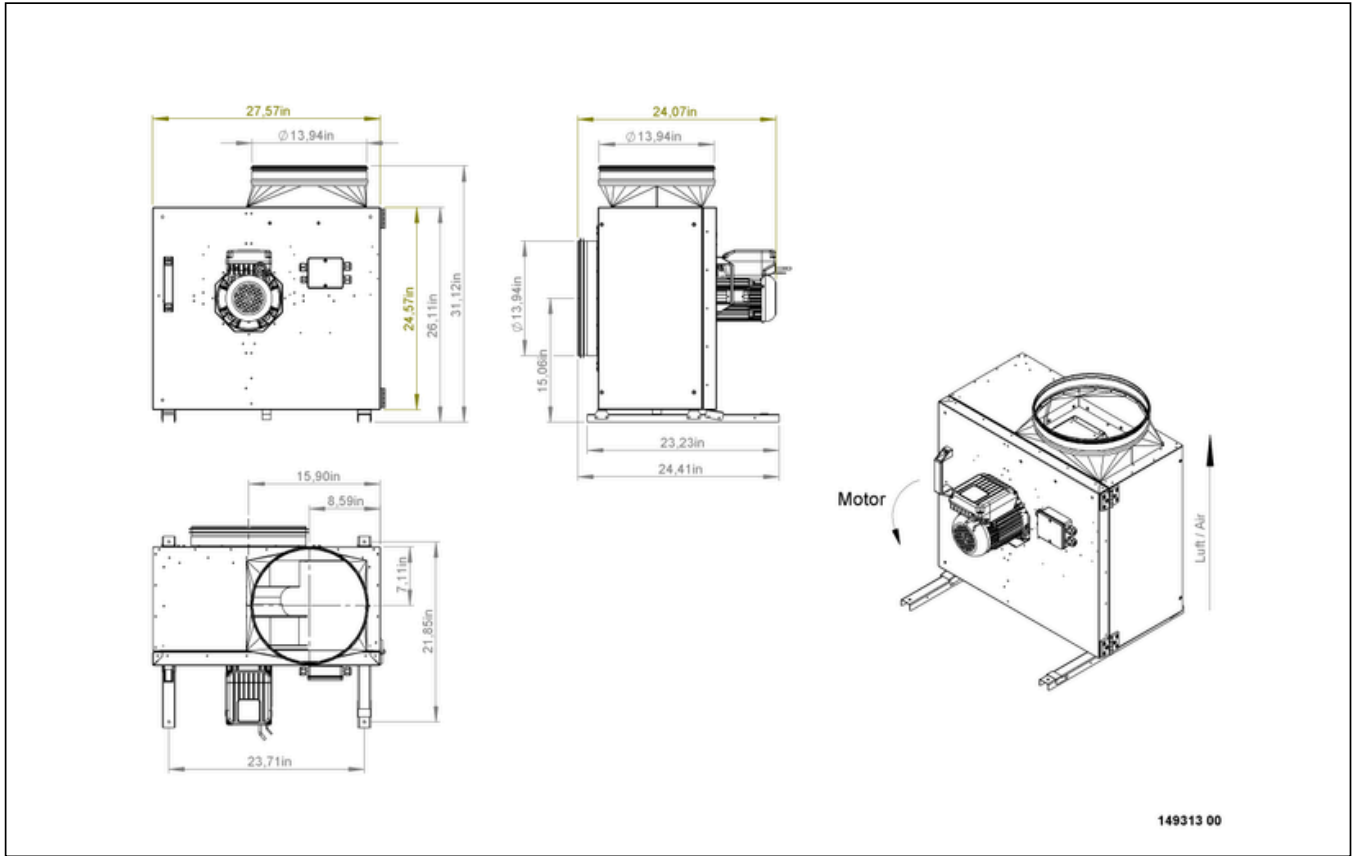
149313



to the product detail page

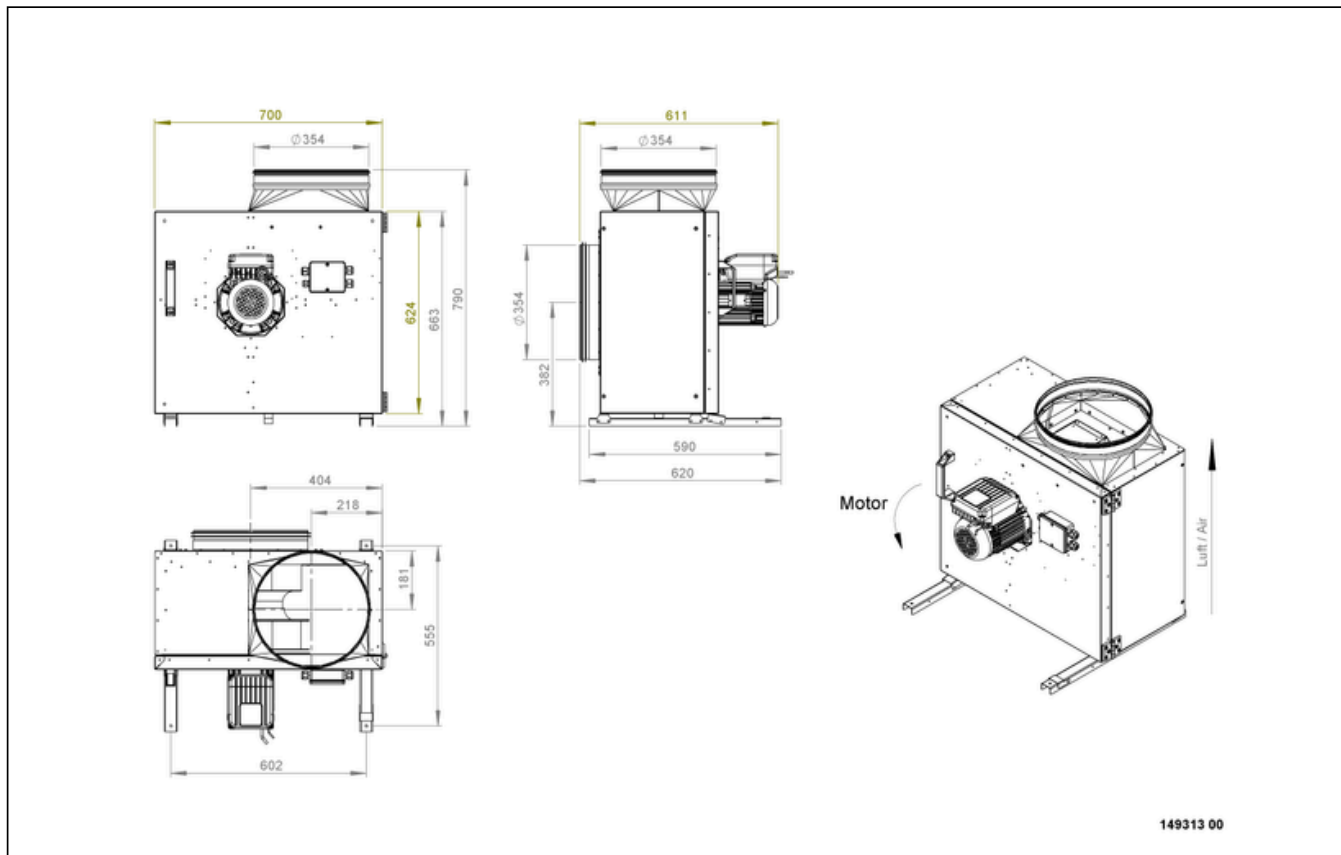
MPS 315 EC 30

149313



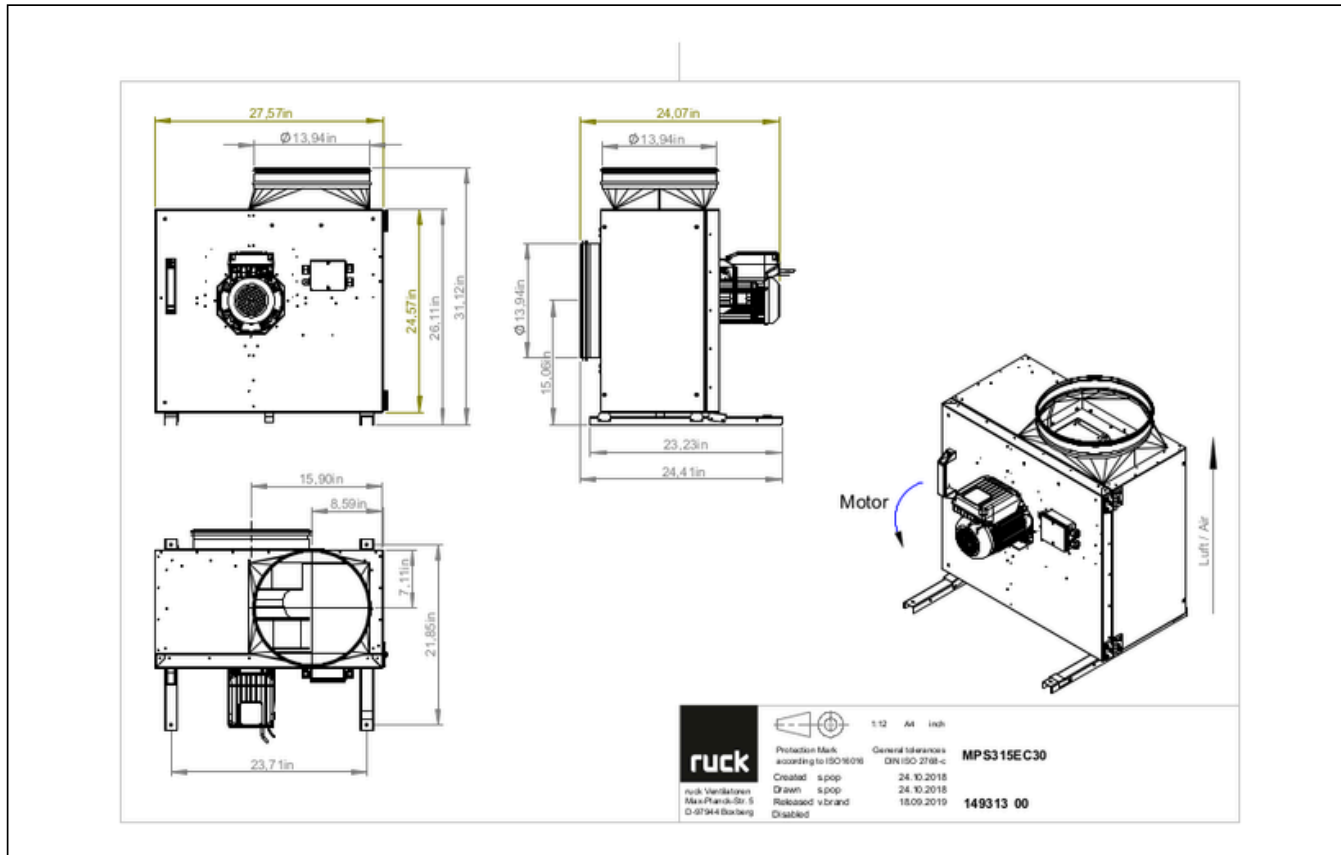
MPS 315 EC 30

149313



MPS 315 EC 30

149313



MECHANICAL ACCESSORIES

RSK 355 | 102665



- Back draught shutter for tube fitting
- Galvanized steel sheet housing
- Aluminum flaps

RSK 355D | 113491



- Back draught shutter for tube fitting
- Galvanized steel sheet housing
- Aluminum flaps
- Integrated gasket

WK MPS 07 | 127953



- Wall mounting bracket for box fan
- Galvanized steel sheet
- 1 Pack = 2 pieces

VM 355 | 102653



- Fast clamps for sound decoupling and sealing
- Galvanized steel sheet, 5 mm Neopren gasket
- 1 Pack = 2 pieces

WSH MPS EC 02 | 135999



- Weather protection hood for motor
- Galvanized steel sheet



to the product detail page

ELECTRICAL ACCESSORIES

GS 03 | 107633



- Device switch
- $U_{max} = 400\text{ V}$, $I_{max} = 25\text{ A}$
- Switching capacity $400\text{ V } 3\sim = 5,5\text{ kW}$
- Protection class IP 55

MTP 20 | 128146



- Potentiometer $10\text{ k}\Omega$
- Switching contact $1\text{A}/250\text{V AC} - 2,5\text{A}/12\text{V DC}$
- Max. ambient temperature $50\text{ }^\circ\text{C}$
- VDE

MTP 30 | 143289



- Stepped potentiometer $10\text{ k}\Omega$
- Step 1 + 2 settable $10\% - 100\% \text{ Vdc}$
- Step 3 $100\% \text{ Vdc}$
- Supply voltage $+10\text{ Vdc}$

MTP 40 | 147359



- Potentiometer $10\text{ k}\Omega$
- Connection in terminal box
- Max. ambient temperature $50\text{ }^\circ\text{C}$
- PU: 20 pieces

SEN AIR | 148641



- Airflow and temperature transducer
- Measuring range temperature $0...+50\text{ }^\circ\text{C}$
- With adjustable switching threshold (air speed)
- Measuring range air velocity up to 20 m/s

CON P1000 | 115259



- Constant pressure control
- Actual value display possible via optional control unit
- Output $0-10\text{ V DC} + \text{FC enable} + \text{setpoint reached}$
- Pressure setting by means of decade switch

SEN P1000 | 126080



- Differential pressure sensor
- P-control, PV-control
- P = 2 pcs. required, PV = 1 pcs. required

MTP 50 | 153133



- Potentiometer with multifunction output
- $230\text{ VAC } \pm 10\% / 50-60\text{ Hz}$
- Selectable output: $1-10\text{ VDC} / 2-20\text{ mA} / 10-100\% \text{ PWM}$
- Min. and max. output value adjustable

