

# MPS 280 EC 30

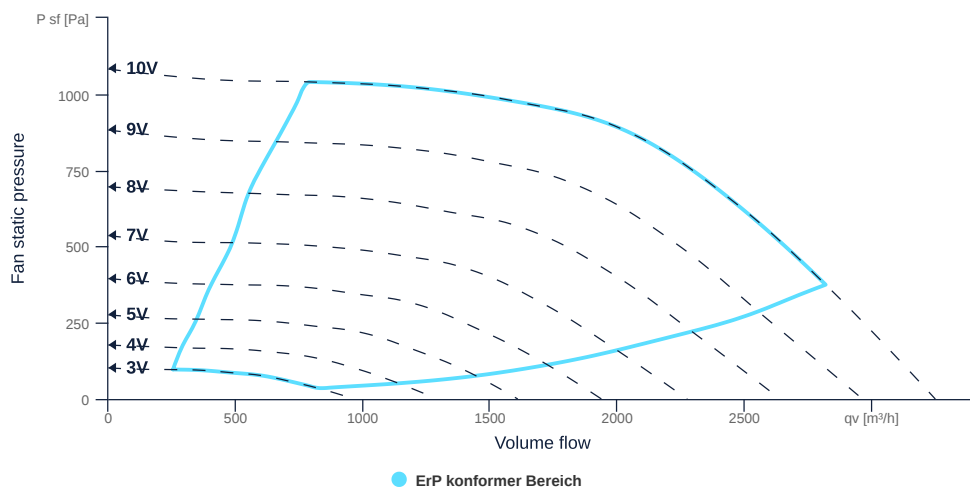
143073

- Backward curved radial impeller
- Swing out fan unit
- Sheet steel housing double-walled, 40 mm mineral wool
- High efficiency EC motor outside the air flow
- Conveyed medium temperature up to 120 °C in continuous operation
- With condensate and grease drain



## MAP

| Name        | Value | Unit |
|-------------|-------|------|
| Volume flow | 0     | m³/h |
| Pressure    | 0     | Pa   |



to the product detail page

# MPS 280 EC 30

143073

**ruck**

## GENERAL DATA

| Name   | Value            | Unit              | Formula symbol          |
|--|------------------|-------------------|-------------------------|
| Labeling   | CE, UKCA         |                   |                         |
| Duct size  | -                |                   | WxH <sub>duct</sub>     |
| Pipe connection size (DN)                              | DN315            |                   | DN                      |
| Rated voltage (entire device)                          | 230              | V                 | U <sub>rated</sub>      |
| Phases (entire device)                                 | 1~               |                   | phase                   |
| Electrical protection (entire device)                  | 6 A              |                   | fuse                    |
| Housing material                                       | Galvanized steel |                   | mat <sub>casing</sub>   |
| Impeller material                                      | Steel            |                   | mat <sub>impeller</sub> |
| Weight   | 37.31            | kg                | m                       |
| Nominal air flow rate, nominal point m <sup>3</sup> /h | 2091.6           | m <sup>3</sup> /h | q <sub>v,nom</sub>      |
| Nominal external pressure, static                      | 855.5            | Pa                | p <sub>s,nom</sub>      |
| Fan type   | Radial           |                   | Fan <sub>type</sub>     |
| Category / Installation situation                      | A                |                   | cat                     |

## ERP DATA (LOT 6)

| Name   | Value                     | Unit              | Formula symbol      |
|--|---------------------------|-------------------|---------------------|
| Nominal air flow rate, nominal point m <sup>3</sup> /s | 0.58                      | m <sup>3</sup> /s | q <sub>v,nom</sub>  |
| Actual electrical input power, nominal point           | 0.88                      | kW                | P <sub>e,nom</sub>  |
| Face velocity, nominal point                           | 7.5                       | m/s               | v <sub>nom</sub>    |
| Nominal external pressure, static                      | 855.5                     | Pa                | p <sub>s,nom</sub>  |
| supply air fan static efficiency, nominal point        | 58.3                      | %                 | η <sub>es,SUP</sub> |
| Highest external air leakage rate                      | 0.01                      | %                 |                     |
| Enclosure sound level, nominal point                   | 75                        | dB(A)             | L <sub>WA2</sub>    |
| Rating   | Product is compliant 2018 |                   |                     |

## MAXIMAL DATA

| Name                            | Value |       | Unit              | Formula symbol       |
|---------------------------------|-------|-------|-------------------|----------------------|
|                                 | 50 Hz | 60 Hz |                   |                      |
| Max. power consumption (device) | 885   | 885   | W                 | P <sub>ed,max</sub>  |
| Max. operating current (device) | 4.1   | 4.1   | A                 | I <sub>ed,max</sub>  |
| Max. speed                      | 3000  | 3000  | 1/min             | n <sub>max</sub>     |
| Max. stat. efficiency           | 54.9  | 54.9  | %                 | η <sub>es</sub>      |
| Max. fan efficiency             | 55.6  | 55.6  | %                 | η <sub>e</sub>       |
| Max. flowrate                   | 3250  | 3250  | m <sup>3</sup> /h | q <sub>v,max</sub>   |
| Max. stat pressure              | 1080  | 1080  | Pa                | p <sub>st,max</sub>  |
| Max. medium temperature         | 120   | 120   | °C                | T <sub>m,max</sub>   |
| Max. environment temperature    | 50    | 50    | °C                | T <sub>amb,max</sub> |
| Min. environment temperature    | -20   | -20   | °C                | T <sub>amb,min</sub> |



to the product detail page

# MPS 280 EC 30

143073

**ruck**

## MOTOR DATA

| Name                     | Value |                     | Unit  | Formula symbol         |
|--------------------------|-------|---------------------|-------|------------------------|
|                          | 50 Hz | 60 Hz               |       |                        |
| Rated frequency (device) |       | 50                  |       | f                      |
| Motor type               |       | EC                  |       | phase                  |
| Control type             |       | stepless-controlled |       | ctrltype               |
| Installation type        |       | IRM (In)            |       | install                |
| Rotation direction       |       | right               |       | rotation               |
| Isolation class          |       | ISO F               |       | ISOclass               |
| Protection class         |       | IP54                |       | IPmotor                |
| Is pole-changeable       |       | No                  |       | polexch                |
| Type of power supply     |       | AC 1~               |       | pwrSUPmotor            |
| Rated voltage            | 230   |                     | V     | U <sub>rated, f1</sub> |
| Rated current            | 4.4   |                     | A     | I <sub>rated, f1</sub> |
| Shaft power              | 750   |                     | W     | P <sub>out, f1</sub>   |
| Speed                    | 3000  |                     | 1/min | n <sub>f1</sub>        |
| UL-Certification motor   |       | UL recognized       |       | ULcert                 |

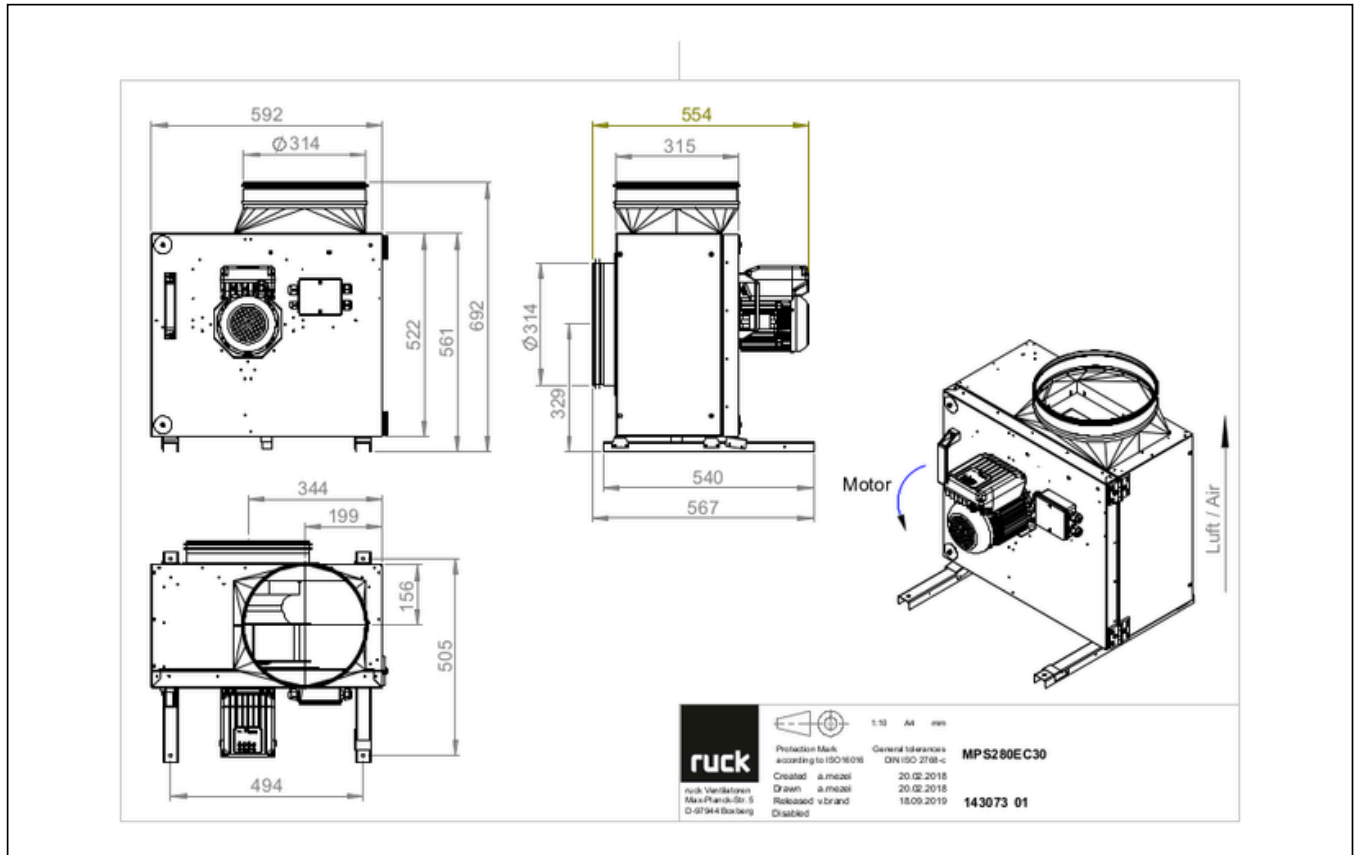


to the product detail page

# MPS 280 EC 30

143073

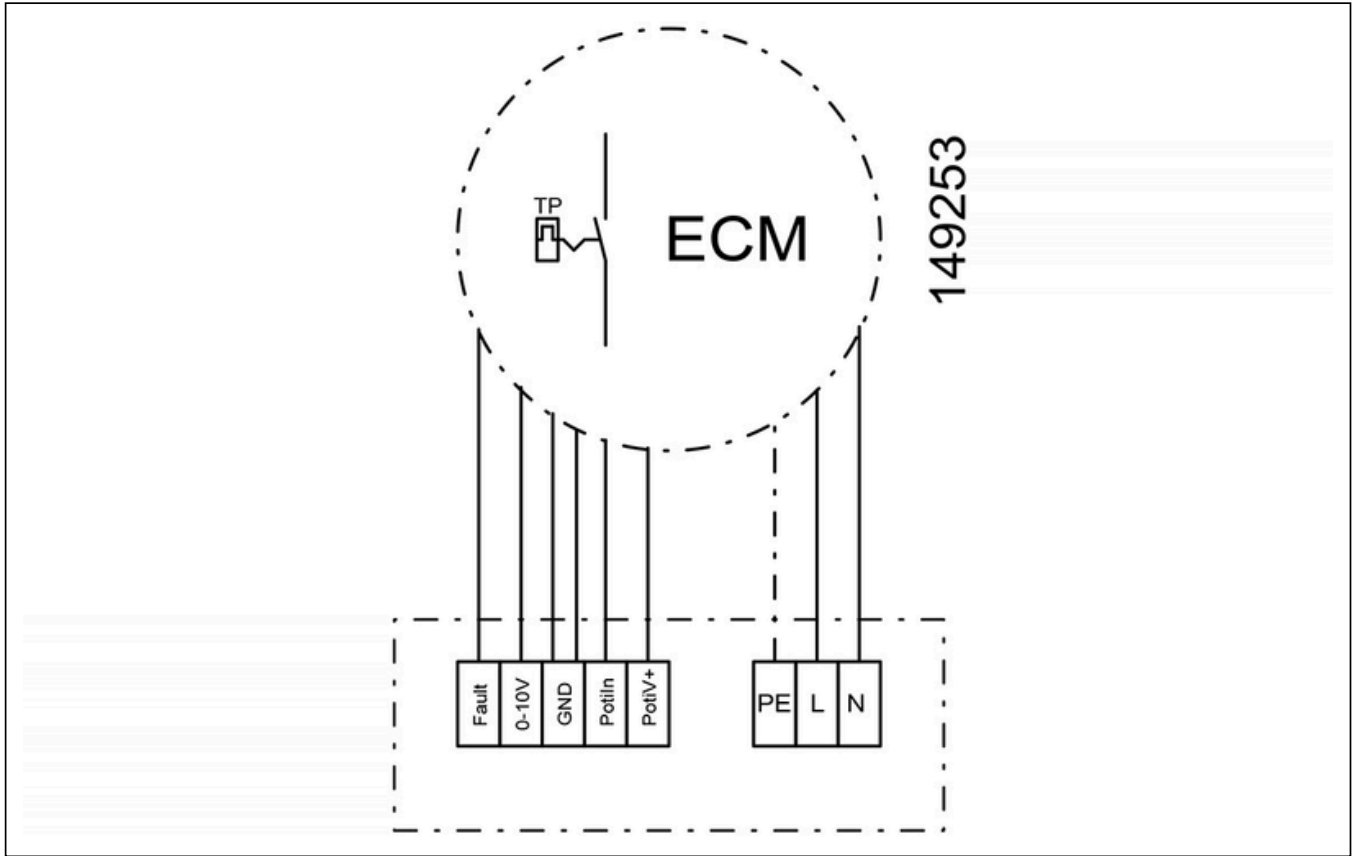
## CIRCUIT DIAGRAMS / DIMENSIONAL DRAWINGS



to the product detail page

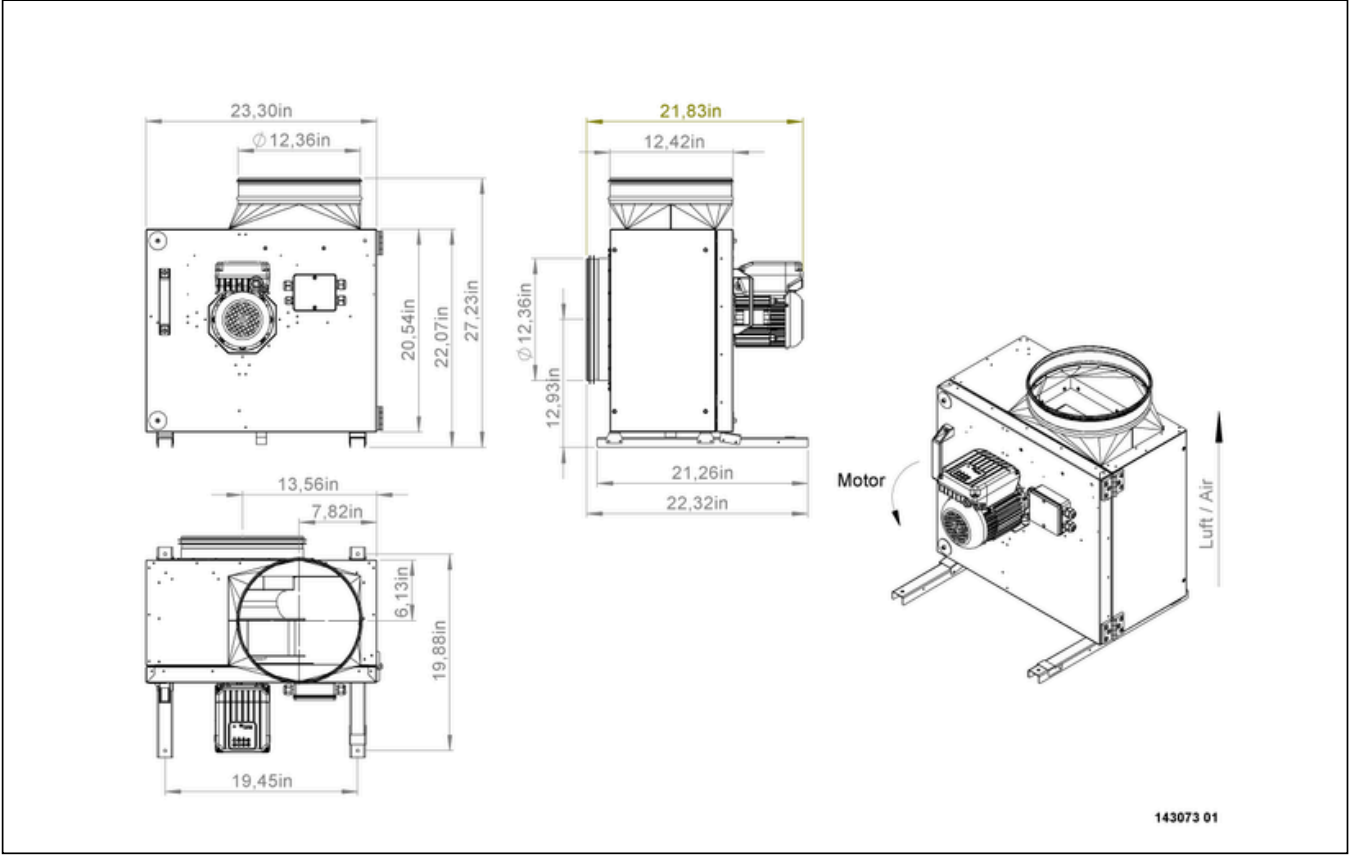
# MPS 280 EC 30

143073



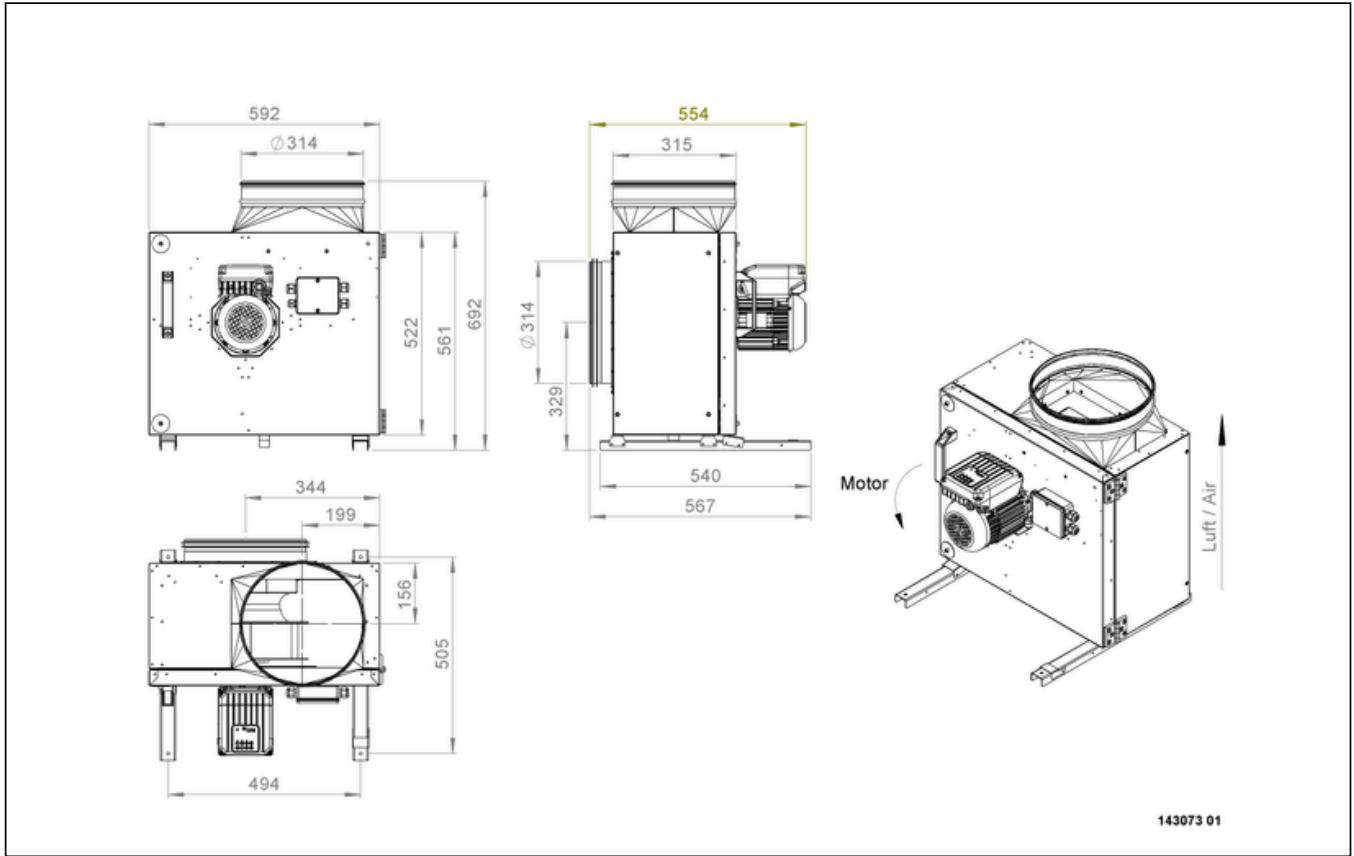
**MPS 280 EC 30**

143073



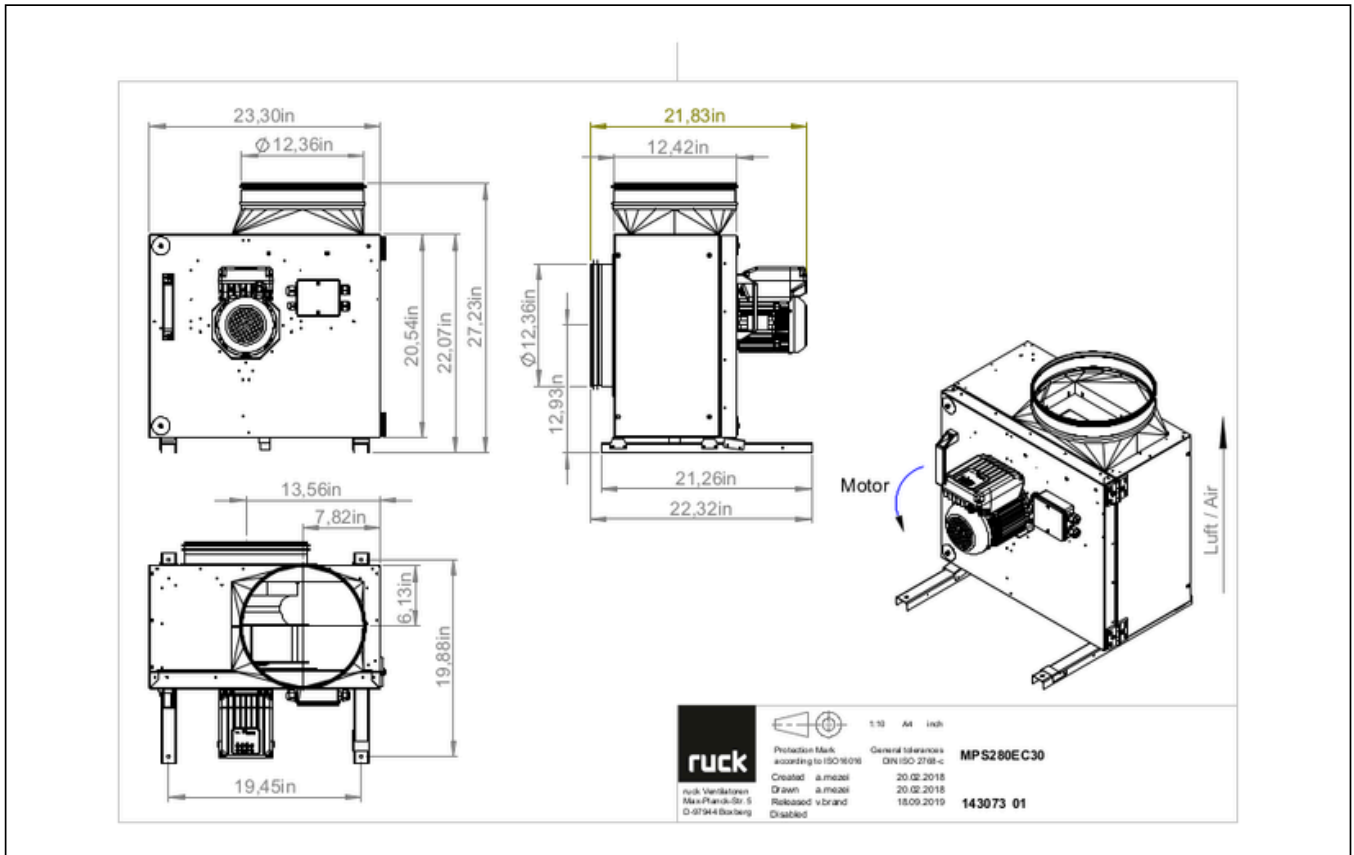
# MPS 280 EC 30

143073



# MPS 280 EC 30

143073



## MECHANICAL ACCESSORIES

**RSK 315 | 102664**



- Back draught shutter for tube fitting
- Galvanized steel sheet housing
- Aluminum flaps

**WK MPS 07 | 127953**



- Wall mounting bracket for box fan
- Galvanized steel sheet
- 1 Pack = 2 pieces

**WSH MPS EC 01 | 136117**



- Weather protection hood for motor
- Galvanized steel sheet

**RSK 315D | 113489**



- Back draught shutter for tube fitting
- Galvanized steel sheet housing
- Aluminum flaps
- Integrated gasket

**VM 315 | 102652**



- Fast clamps for sound decoupling and sealing
- Galvanized steel sheet, 5 mm
- Neopren gasket
- 1 Pack = 2 pieces



to the product detail page



## ELECTRICAL ACCESSORIES

**GS 03 | 107633**



- Device switch
- $U_{max} = 400\text{ V}$ ,  $I_{max} = 25\text{ A}$
- Switching capacity  $400\text{ V } 3\sim = 5,5\text{ kW}$
- Protection class IP 55

**MTP 20 | 128146**



- Potentiometer  $10\text{ k}\Omega$
- Switching contact  $1\text{ A}/250\text{ V AC} - 2,5\text{ A}/12\text{ V DC}$
- Max. ambient temperature  $50\text{ }^\circ\text{C}$
- VDE

**MTP 30 | 143289**



- Stepped potentiometer  $10\text{ k}\Omega$
- Step 1 + 2 settable  $10\% - 100\% \text{ Vdc}$
- Step 3  $100\% \text{ Vdc}$
- Supply voltage  $+10\text{ Vdc}$

**MTP 40 | 147359**



- Potentiometer  $10\text{ k}\Omega$
- Connection in terminal box
- Max. ambient temperature  $50\text{ }^\circ\text{C}$
- PU: 20 pieces

**SEN AIR | 148641**



- Airflow and temperature transducer
- Measuring range temperature  $0...+50\text{ }^\circ\text{C}$
- With adjustable switching threshold (air speed)
- Measuring range air velocity up to  $20\text{ m/s}$

**CON P1000 | 115259**



- Constant pressure control
- Actual value display possible via optional control unit
- Output  $0-10\text{ V DC} + \text{FC enable} + \text{setpoint reached}$
- Pressure setting by means of decade switch

**SEN P1000 | 126080**



- Differential pressure sensor
- P-control, PV-control
- P = 2 pcs. required, PV = 1 pcs. required

**MTP 50 | 153133**



- Potentiometer with multifunction output
- $230\text{ VAC } \pm 10\% / 50-60\text{ Hz}$
- Selectable output:  $1-10\text{ VDC} / 2-20\text{ mA} / 10-100\% \text{ PWM}$
- Min. and max. output value adjustable

