

MPS 280 EC 20

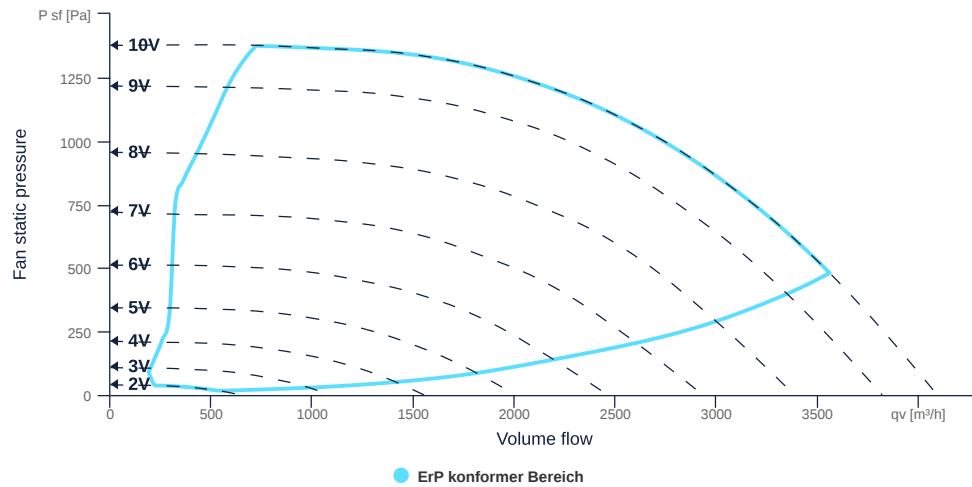
136074

- Backward curved radial impeller
- Swing out fan unit
- Sheet steel housing double-walled, 40 mm mineral wool
- High efficiency EC motor outside the air flow
- Conveyed medium temperature up to 120 °C in continuous operation
- With condensate and grease drain



MAP

Name	Value	Unit
Volume flow	0	m³/h
Pressure	0	Pa



to the product detail page

MPS 280 EC 20

136074

ruck

GENERAL DATA

Name	Value	Unit	Formula symbol
Labeling	CE, UKCA		
Duct size	-		WxH _{duct}
Pipe connection size (DN)	DN315		DN
Rated voltage (entire device)	230	V	U _{rated}
Phases (entire device)	1~		phase
Electrical protection (entire device)	6 A		fuse
Housing material	Galvanized steel		mat _{casing}
Impeller material	Steel		mat _{impeller}
IP-protection class (entire device)	IPX4		IP _{compl}
IP-Protection class (terminal box)	IP54		IP _{ebox}
Weight	38.1	kg	m
Nominal air flow rate, nominal point m ³ /h	2124	m ³ /h	q _{v,nom}
Nominal external pressure, static	848.3	Pa	p _{s,nom}
Fan type	Radial		Fan _{type}
Category / Installation situation	A		cat

ERP DATA (LOT 6)

Name	Value	Unit	Formula symbol
Nominal air flow rate, nominal point m ³ /s	0.59	m ³ /s	q _{v,nom}
Actual electrical input power, nominal point	0.8	kW	P _{e,nom}
Face velocity, nominal point	7.6	m/s	v _{nom}
Nominal external pressure, static	848.3	Pa	p _{s,nom}
supply air fan static efficiency, nominal point	62.4	%	η _{es,SUP}
Highest external air leakage rate	0.31	%	
Enclosure sound level, nominal point	78	dB(A)	L _{WA2}
Rating	Product is compliant 2018		



to the product detail page

MPS 280 EC 20

136074

ruck

MAXIMAL DATA

Name	Value		Unit	Formula symbol
	50 Hz	60 Hz		
Max. power consumption (device)	1246	1246	W	P _{ed, max}
Max. operating current (device)	5.71	5.71	A	I _{ed, max}
Max. speed	3440	3440	1/min	n _{max}
Max. stat. efficiency	58.7	58.7	%	η _{es}
Max. fan efficiency	60.7	60.7	%	η _e
Max. flowrate	4090	4090	m ³ /h	Q _{v, max}
Max. stat pressure	1380	1380	Pa	p _{st, max}
Max. medium temperature	120	120	°C	T _{m, max}
Max. environment temperature	50	50	°C	T _{amb, max}
Min. environment temperature	-10	-10	°C	T _{amb, min}

MOTOR DATA

Name	Value		Unit	Formula symbol
	50 Hz	60 Hz		
Rated frequency (device)		50		f
Motor type		EC		phase
Control type		stepless-controlled		ctrltype
Installation type		IRM (In)		install
Rotation direction		right		rotation
Isolation class		ISO F		ISOclass
Motor-protection		TEC		protectmotor
Protection class		IP54		IP _{motor}
Is pole-changeable		No		polexch
UL-Certification motor		None		ULcert

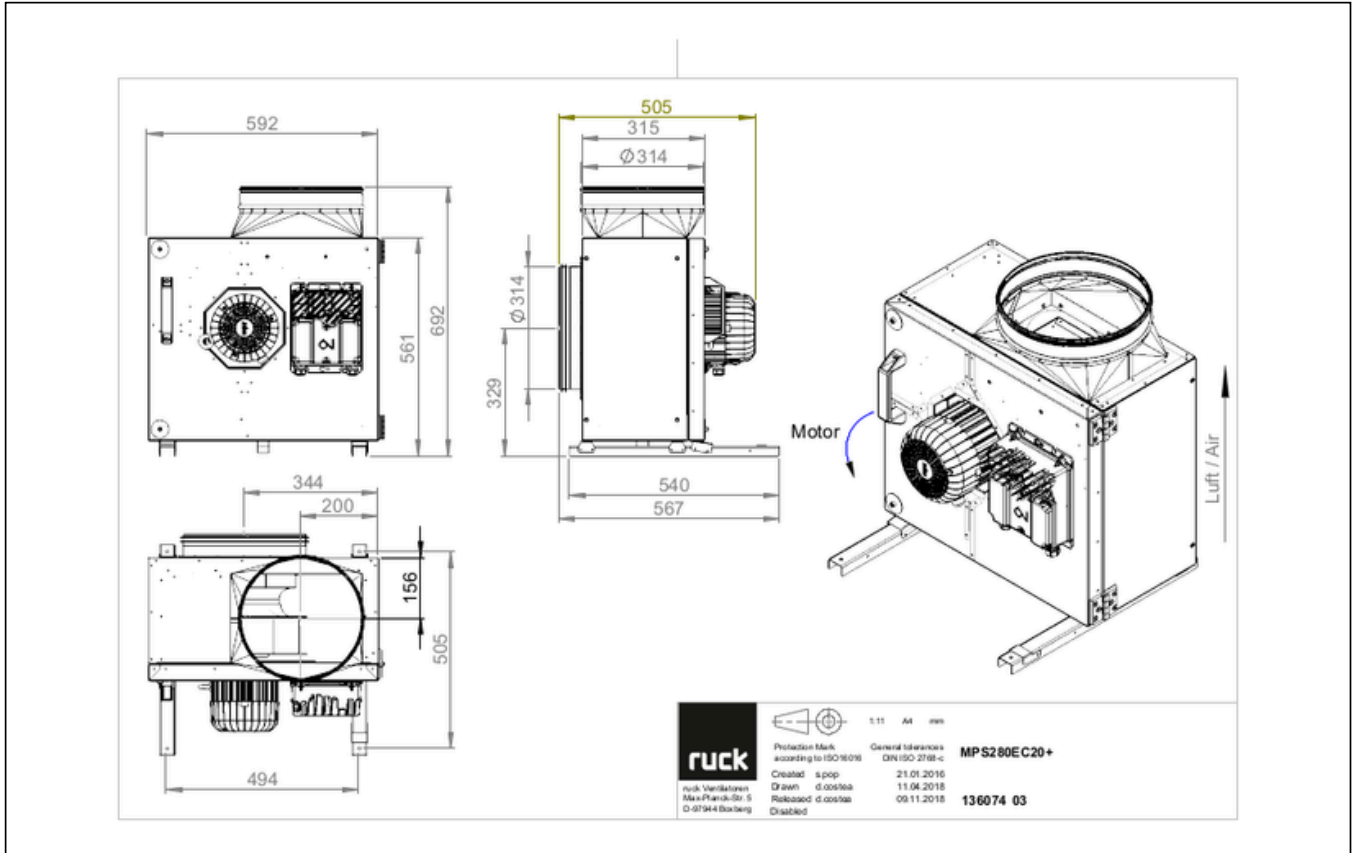


to the product detail page

MPS 280 EC 20

136074

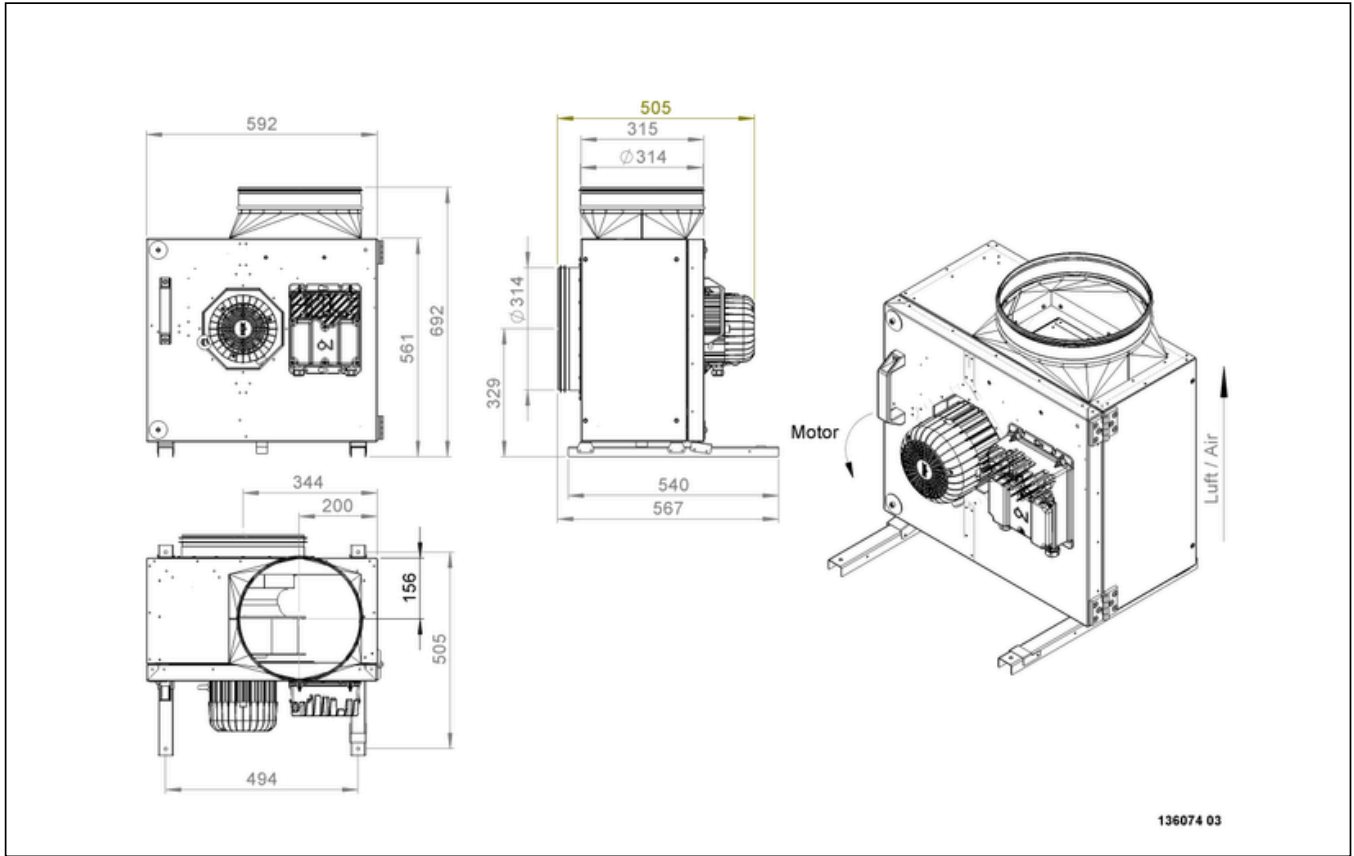
CIRCUIT DIAGRAMS / DIMENSIONAL DRAWINGS



to the product detail page

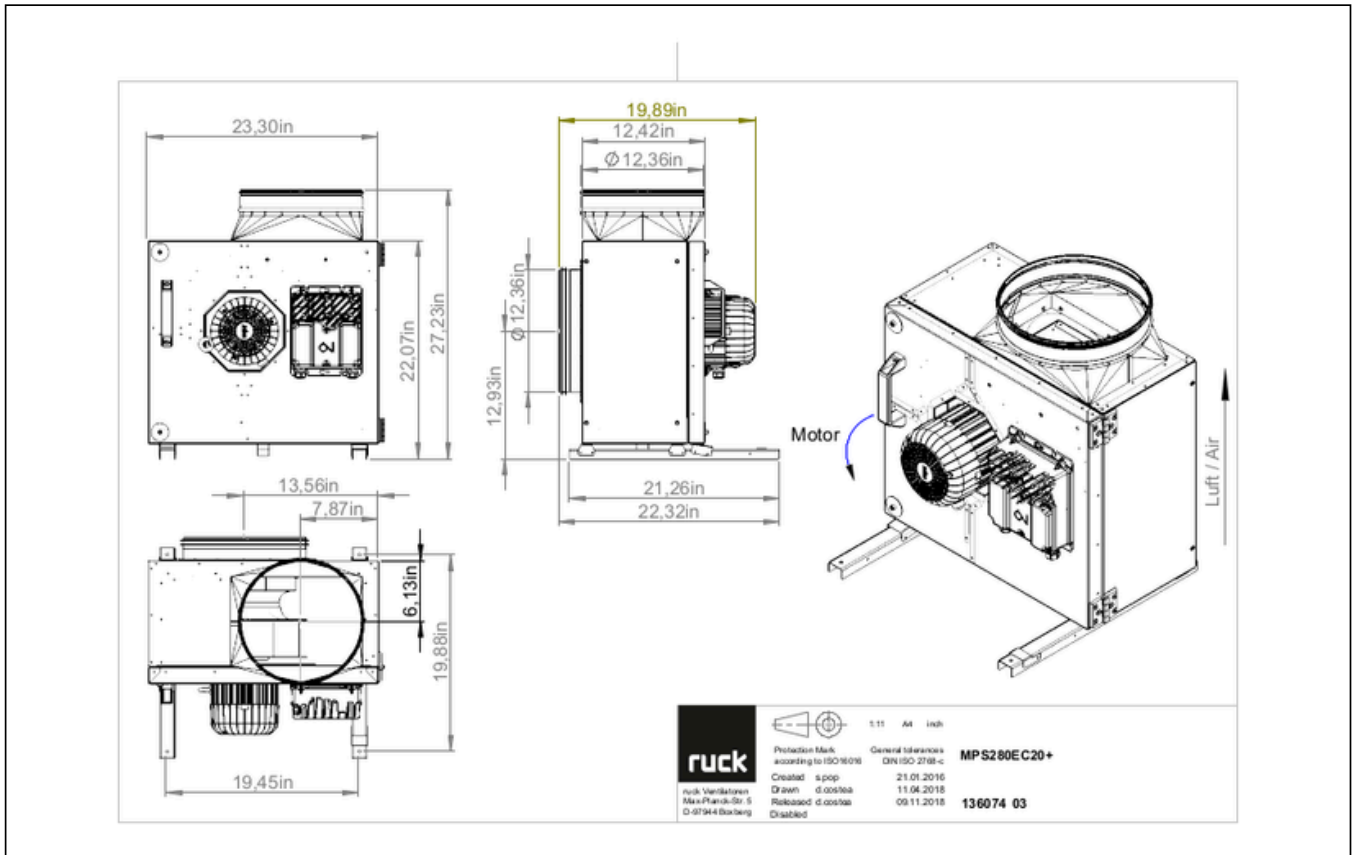
MPS 280 EC 20

136074



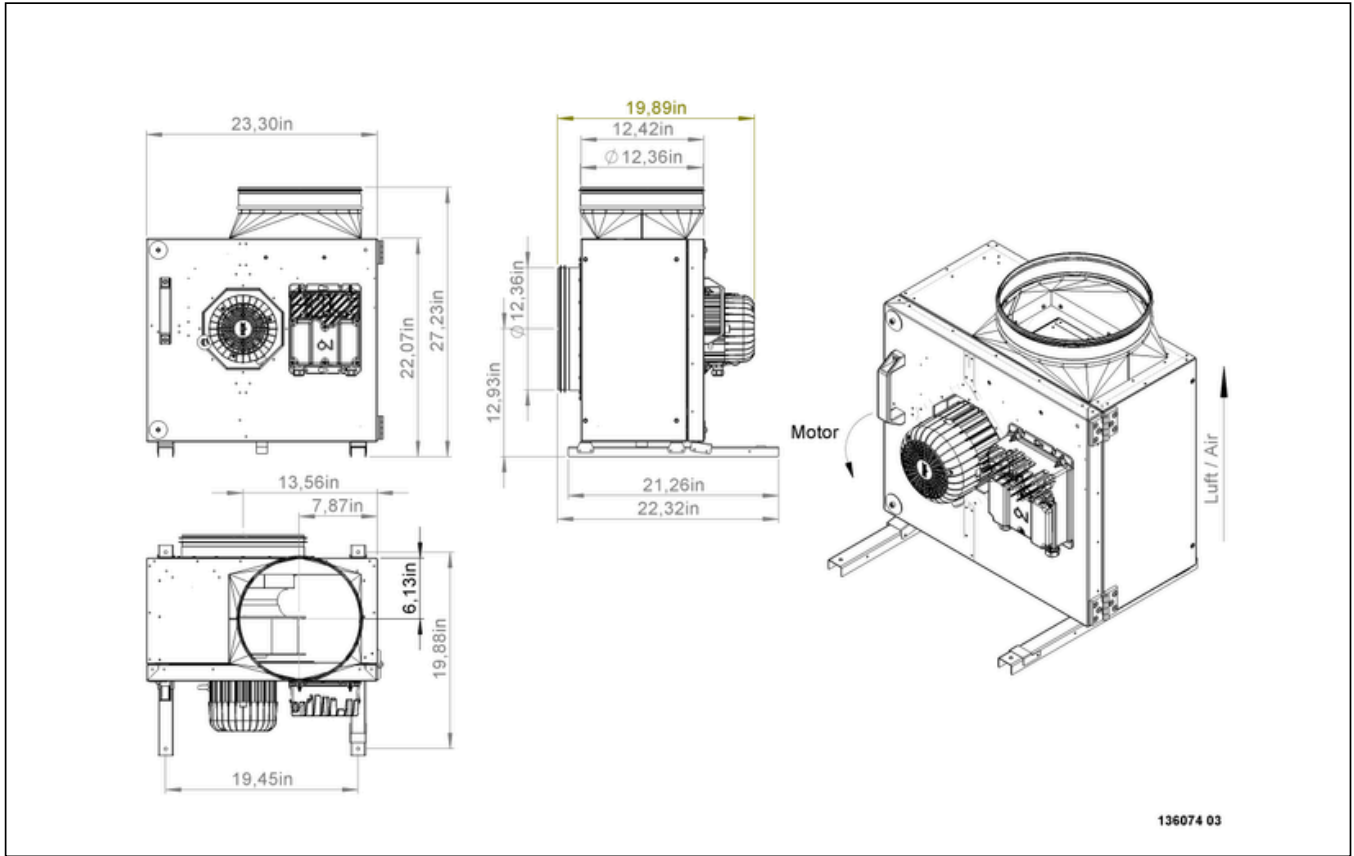
MPS 280 EC 20

136074



MPS 280 EC 20

136074



136074 03

MECHANICAL ACCESSORIES

RSK 315 | 102664



- Back draught shutter for tube fitting
- Galvanized steel sheet housing
- Aluminum flaps

WK MPS 07 | 127953



- Wall mounting bracket for box fan
- Galvanized steel sheet
- 1 Pack = 2 pieces

WSH MPS EC 01 | 136117



- Weather protection hood for motor
- Galvanized steel sheet

RSK 315D | 113489



- Back draught shutter for tube fitting
- Galvanized steel sheet housing
- Aluminum flaps
- Integrated gasket

VM 315 | 102652



- Fast clamps for sound decoupling and sealing
- Galvanized steel sheet, 5 mm
- Neopren gasket
- 1 Pack = 2 pieces



to the product detail page

ELECTRICAL ACCESSORIES

GS 03 | 107633



- Device switch
- $U_{max} = 400\text{ V}$, $I_{max} = 25\text{ A}$
- Switching capacity $400\text{ V } 3\sim = 5,5\text{ kW}$
- Protection class IP 55

MTP 20 | 128146



- Potentiometer $10\text{ k}\Omega$
- Switching contact $1\text{A}/250\text{V AC}$ - $2,5\text{A}/12\text{V DC}$
- Max. ambient temperature $50\text{ }^\circ\text{C}$
- VDE

MTP 30 | 143289



- Stepped potentiometer $10\text{ k}\Omega$
- Step 1 + 2 settable $10\% - 100\% \text{ Vdc}$
- Step 3 $100\% \text{ Vdc}$
- Supply voltage $+10\text{ Vdc}$

MTP 40 | 147359



- Potentiometer $10\text{ k}\Omega$
- Connection in terminal box
- Max. ambient temperature $50\text{ }^\circ\text{C}$
- PU: 20 pieces

SEN AIR | 148641



- Airflow and temperature transducer
- Measuring range temperature $0...+50\text{ }^\circ\text{C}$
- With adjustable switching threshold (air speed)
- Measuring range air velocity up to 20 m/s

CON P1000 | 115259



- Constant pressure control
- Actual value display possible via optional control unit
- Output $0-10\text{ V DC}$ + FC enable + setpoint reached
- Pressure setting by means of decade switch

SEN P1000 | 126080



- Differential pressure sensor
- P-control, PV-control
- P = 2 pcs. required, PV = 1 pcs. required

MTP 50 | 153133



- Potentiometer with multifunction output
- $230\text{ VAC } \pm 10\% / 50-60\text{ Hz}$
- Selectable output: $1-10\text{ VDC} / 2-20\text{ mA}$ / $10-100\% \text{ PWM}$
- Min. and max. output value adjustable

