

MPS 250 EC 30

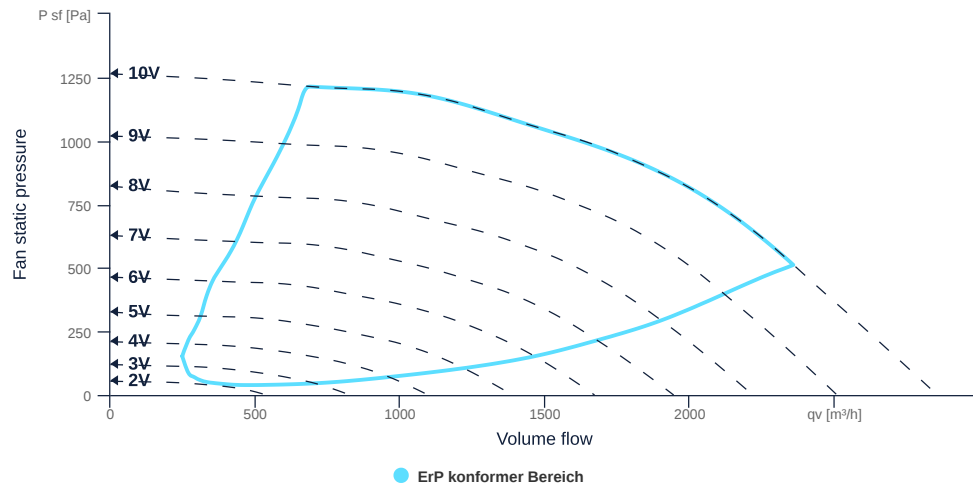
143072

- Backward curved radial impeller
- Swing out fan unit
- Sheet steel housing double-walled, 40 mm mineral wool
- High efficiency EC motor outside the air flow
- Conveyed medium temperature up to 120 °C in continuous operation
- With condensate and grease drain



MAP

Name	Value	Unit
Volume flow	0	m³/h
Pressure	0	Pa



to the product detail page

MPS 250 EC 30

143072

GENERAL DATA

Name	Value	Unit	Formula symbol
Labeling	CE, UKCA		
Duct size	-		WxH _{duct}
Pipe connection size (DN)	DN250		DN
Rated voltage (entire device)	230	V	U _{rated}
Phases (entire device)	1~		phase
Electrical protection (entire device)	6 A		fuse
Housing material	Galvanized steel		mat _{casing}
Impeller material	Steel		mat _{impeller}
Weight	35.5	kg	m
Nominal air flow rate, nominal point m ³ /h	1796.4	m ³ /h	q _{v,nom}
Nominal external pressure, static	900.7	Pa	p _{s,nom}
Fan type	Radial		Fan _{type}
Category / Installation situation	A		cat

ERP DATA (LOT 6)

Name	Value	Unit	Formula symbol
Nominal air flow rate, nominal point m ³ /s	0.5	m ³ /s	q _{v,nom}
Actual electrical input power, nominal point	0.87	kW	P _{e,nom}
Face velocity, nominal point	10.2	m/s	v _{nom}
Nominal external pressure, static	900.7	Pa	p _{s,nom}
supply air fan static efficiency, nominal point	63.2	%	η _{es,SUP}
Highest external air leakage rate	0.19	%	
Enclosure sound level, nominal point	80	dB(A)	L _{WA2}
Rating	Product is compliant 2018		

MAXIMAL DATA

Name	Value		Unit	Formula symbol
	50 Hz	60 Hz		
Max. power consumption (device)	894	894	W	P _{ed,max}
Max. operating current (device)	4.15	4.15	A	I _{ed,max}
Max. speed	3650	3650	1/min	n _{max}
Max. stat. efficiency	50.6	50.6	%	η _{es}
Max. fan efficiency	54.4	54.4	%	η _e
Max. flowrate	2850	2850	m ³ /h	q _{v,max}
Max. stat pressure	1260	1260	Pa	p _{st,max}
Max. medium temperature	120	120	°C	T _{m,max}
Max. environment temperature	50	50	°C	T _{amb,max}
Min. environment temperature	-20	-20	°C	T _{amb,min}



to the product detail page

MPS 250 EC 30

143072

ruck

MOTOR DATA

Name	Value		Unit	Formula symbol
	50 Hz	60 Hz		
Rated frequency (device)		50		f
Motor type		EC		phase
Control type		stepless-controlled		ctrltype
Installation type		IRM (In)		install
Rotation direction		right		rotation
Isolation class		ISO F		ISOclass
Protection class		IP54		IPmotor
Is pole-changeable		No		polexch
Type of power supply		AC 1~		pwrSUPmotor
Rated voltage	230		V	U _{rated, f1}
Rated current	4.4		A	I _{rated, f1}
Shaft power	750		W	P _{out, f1}
Speed	3000		1/min	n _{f1}
UL-Certification motor		UL recognized		ULcert

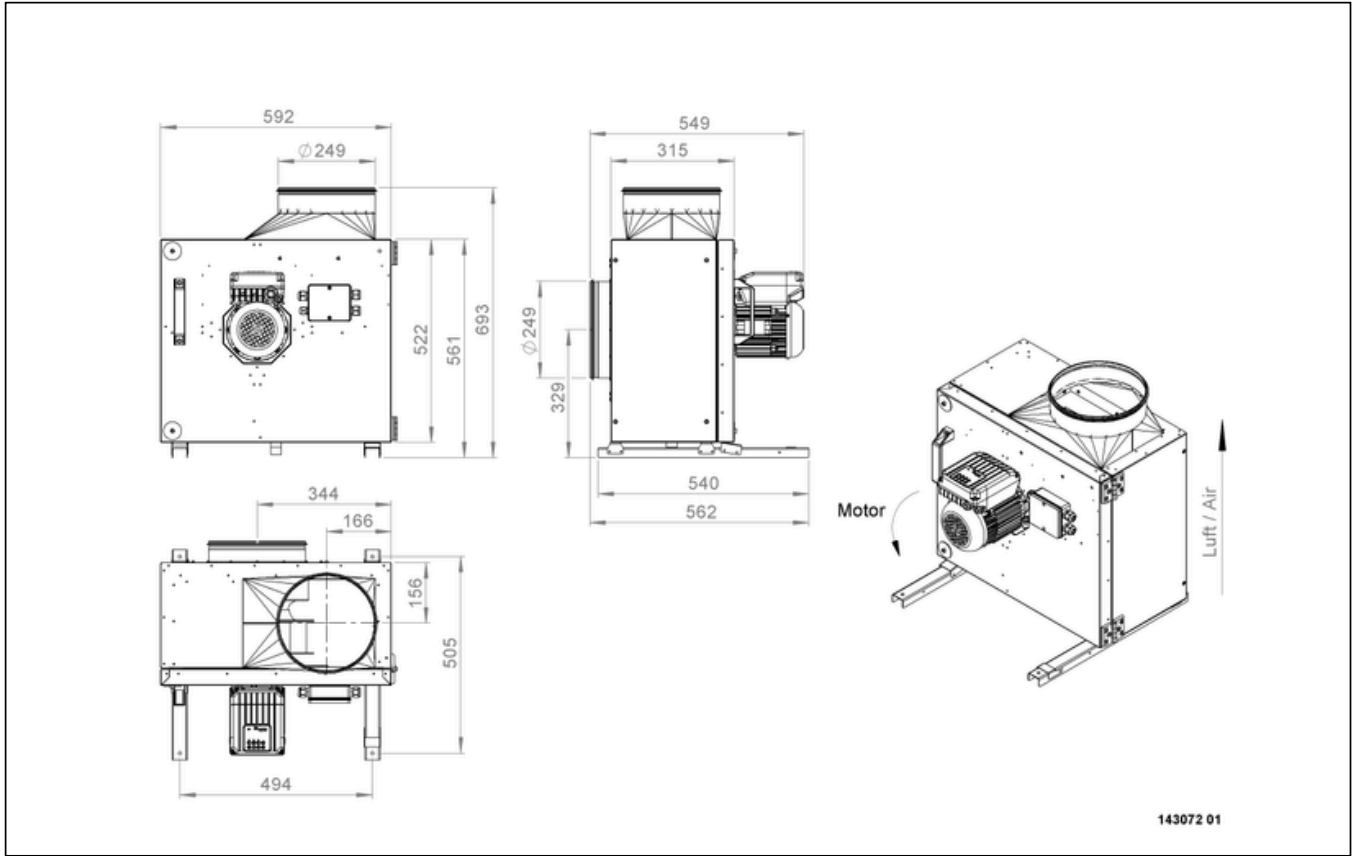


to the product detail page

MPS 250 EC 30

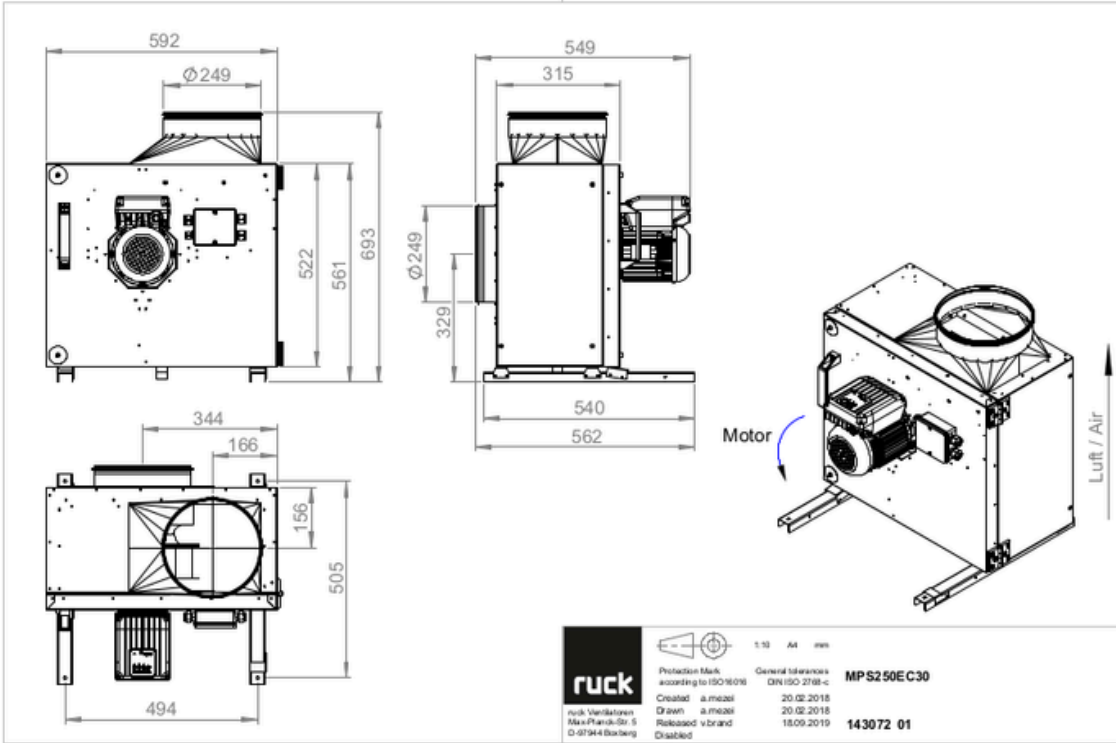
143072

CIRCUIT DIAGRAMS / DIMENSIONAL DRAWINGS



MPS 250 EC 30

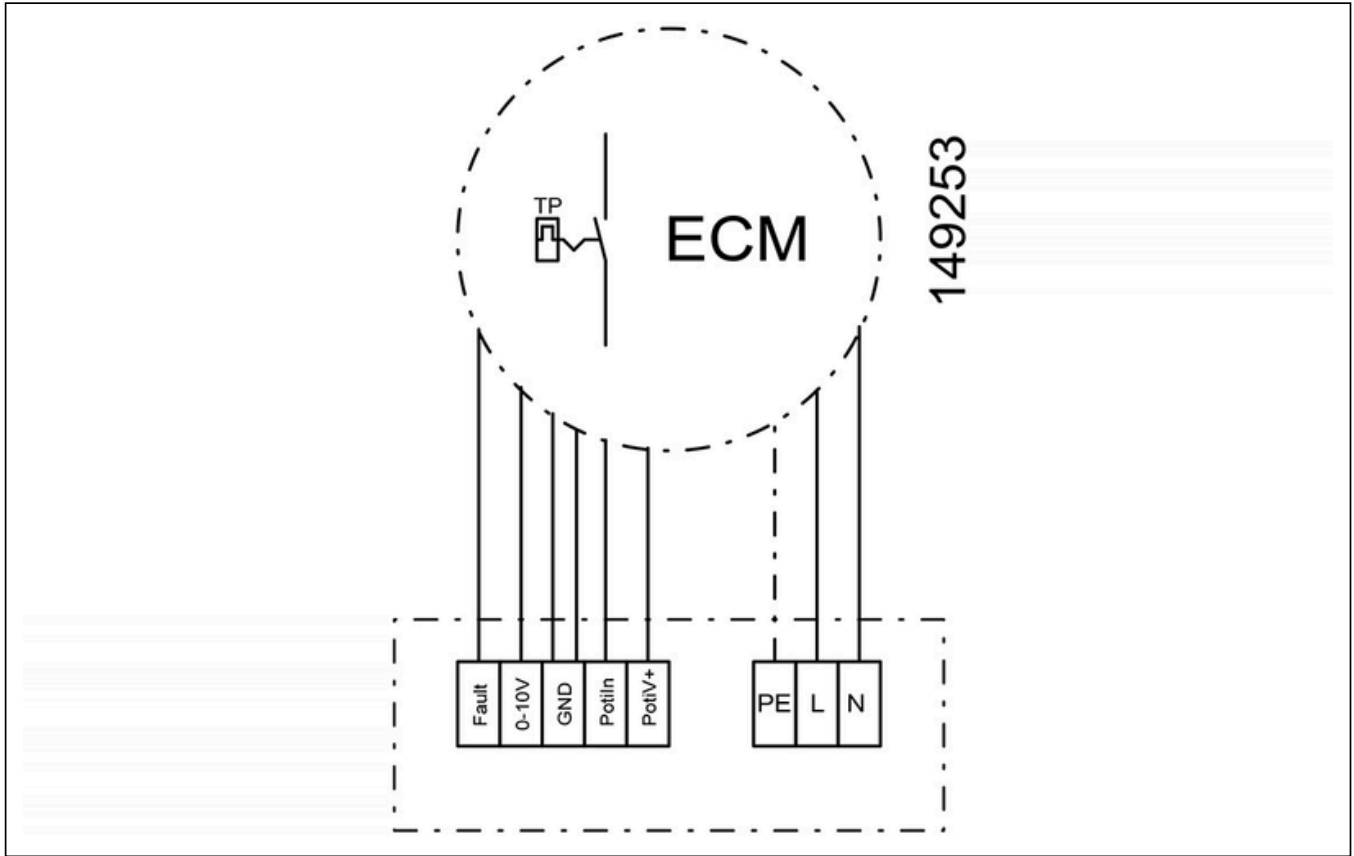
143072



to the product detail page

MPS 250 EC 30

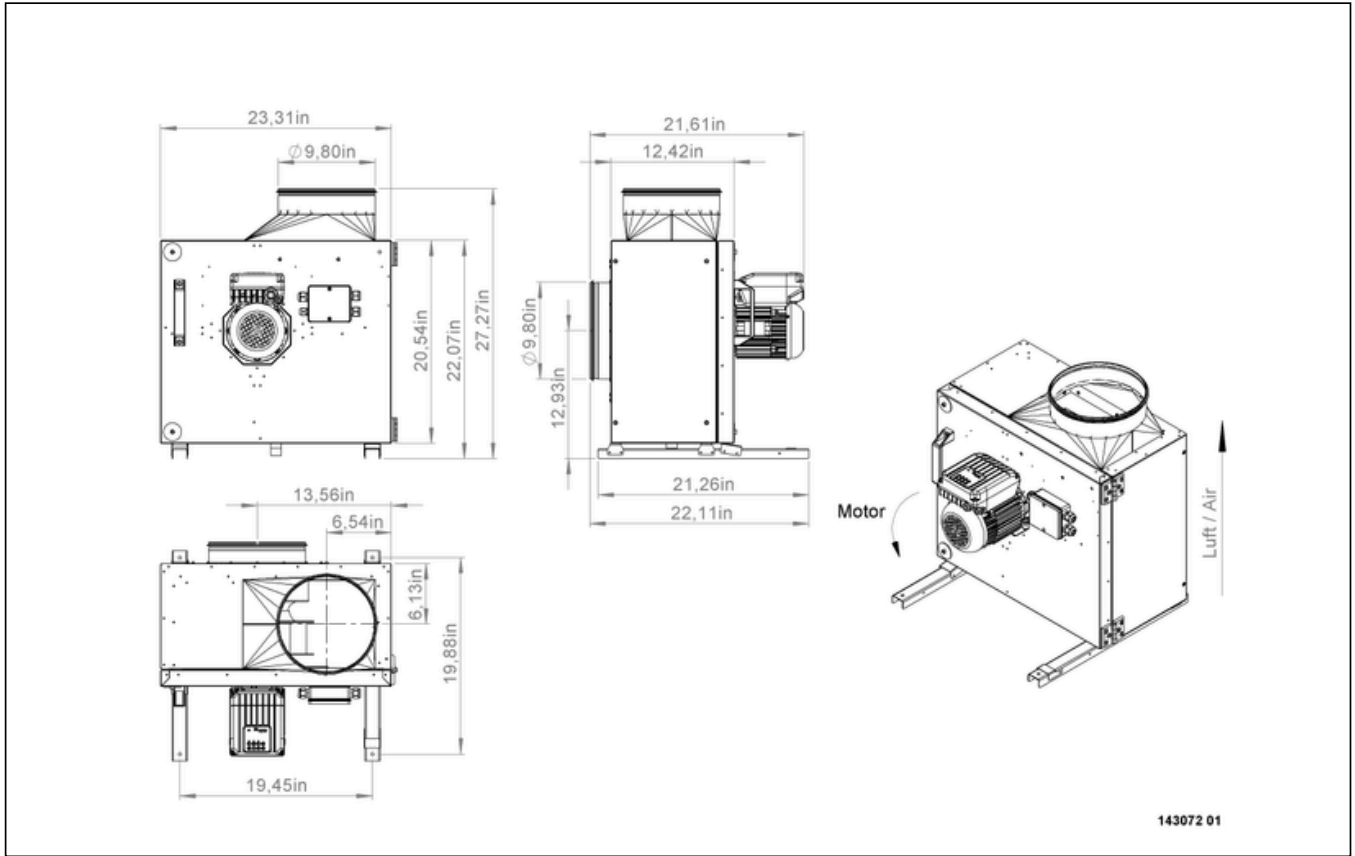
143072



[to the product detail page](#)

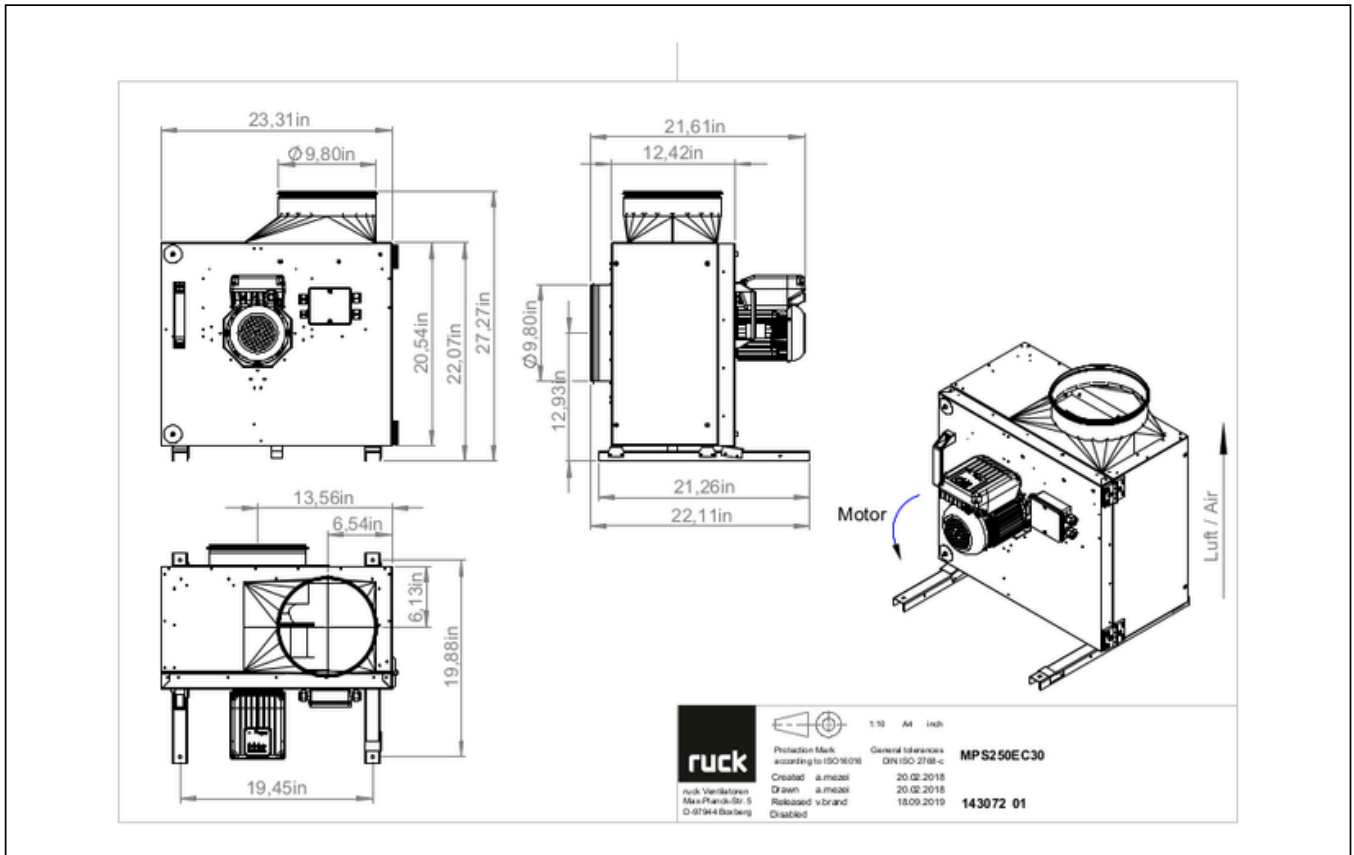
MPS 250 EC 30

143072



MPS 250 EC 30

143072



MECHANICAL ACCESSORIES

RSK 250D | 113488



- Back draught shutter for tube fitting
- Galvanized steel sheet housing
- Aluminum flaps
- Integrated gasket

WK MPS 07 | 127953



- Wall mounting bracket for box fan
- Galvanized steel sheet
- 1 Pack = 2 pieces

VM 250 | 102651



- Fast clamps for sound decoupling and sealing
- Galvanized steel sheet, 5 mm
- Neopren gasket
- 1 Pack = 2 pieces

WSH MPS EC 01 | 136117



- Weather protection hood for motor
- Galvanized steel sheet

RSK 250 | 102686



- Back draught shutter for tube fitting
- Galvanized steel sheet housing
- Aluminum flaps



to the product detail page

MPS 250 EC 30

143072

ELECTRICAL ACCESSORIES

GS 03 | 107633



- Device switch
- $U_{max} = 400\text{ V}$, $I_{max} = 25\text{ A}$
- Switching capacity $400\text{ V } 3\sim = 5,5\text{ kW}$
- Protection class IP 55

MTP 20 | 128146



- Potentiometer $10\text{ k}\Omega$
- Switching contact $1\text{ A}/250\text{ V AC}$ - $2,5\text{ A}/12\text{ V DC}$
- Max. ambient temperature $50\text{ }^\circ\text{C}$
- VDE

MTP 30 | 143289



- Stepped potentiometer $10\text{ k}\Omega$
- Step 1 + 2 settable $10\% - 100\% \text{ Vdc}$
- Step 3 $100\% \text{ Vdc}$
- Supply voltage $+10\text{ Vdc}$

MTP 40 | 147359



- Potentiometer $10\text{ k}\Omega$
- Connection in terminal box
- Max. ambient temperature $50\text{ }^\circ\text{C}$
- PU: 20 pieces

SEN AIR | 148641



- Airflow and temperature transducer
- Measuring range temperature $0...+50\text{ }^\circ\text{C}$
- With adjustable switching threshold (air speed)
- Measuring range air velocity up to 20 m/s

CON P1000 | 115259



- Constant pressure control
- Actual value display possible via optional control unit
- Output $0-10\text{ V DC}$ + FC enable + setpoint reached
- Pressure setting by means of decade switch

SEN P1000 | 126080



- Differential pressure sensor
- P-control, PV-control
- P = 2 pcs. required, PV = 1 pcs. required

MTP 50 | 153133



- Potentiometer with multifunction output
- $230\text{ VAC } \pm 10\% / 50-60\text{ Hz}$
- Selectable output: $1-10\text{ VDC} / 2-20\text{ mA}$ / $10-100\% \text{ PWM}$
- Min. and max. output value adjustable

