

# MPC 450 EC TI 30

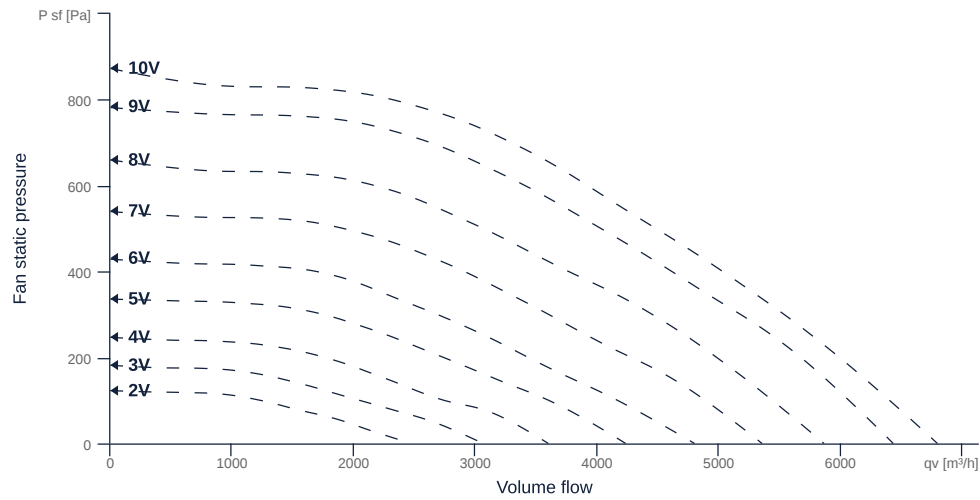
149413

- Backward curved radial impeller
- Removable side walls, variable discharge direction
- Sheet steel housing double-walled, 30 mm mineral wool
- EC motor outside the airflow, controllable
- Conveyed medium temperature up to 120 °C in continuous operation
- Housing bottom designed with integrated drain



## MAP

Name	Value	Unit
Volume flow	0	m³/h
Pressure	0	Pa



to the product detail page

# MPC 450 EC TI 30

149413

## GENERAL DATA

Name	Value	Unit	Formula symbol
Labeling	CE, UKCA		
Duct size	-		WxH <sub>duct</sub>
Pipe connection size (DN)	-		DN
Rated voltage (entire device)	230	V	U <sub>rated</sub>
Phases (entire device)	1~		phase
Electrical protection (entire device)	10 A		fuse
Housing material	Galvanized steel		mat <sub>casing</sub>
Impeller material	Steel		mat <sub>impeller</sub>
Weight	73	kg	m
Nominal air flow rate, nominal point m <sup>3</sup> /h	2458.8	m <sup>3</sup> /h	q <sub>v,nom</sub>
Nominal external pressure, static	454.7	Pa	p <sub>s,nom</sub>
Fan type	Radial		Fan <sub>type</sub>
Category / Installation situation	A		cat

## ERP DATA (LOT 6)

Name	Value	Unit	Formula symbol
Nominal air flow rate, nominal point m <sup>3</sup> /s	0.68	m <sup>3</sup> /s	q <sub>v,nom</sub>
Actual electrical input power, nominal point	0.56	kW	P <sub>e,nom</sub>
Face velocity, nominal point	4.3	m/s	v <sub>nom</sub>
Nominal external pressure, static	454.7	Pa	p <sub>s,nom</sub>
supply air fan static efficiency, nominal point	65.7	%	η <sub>es,SUP</sub>
Highest external air leakage rate	0.09	%	
Enclosure sound level, nominal point	74	dB(A)	L <sub>WA2</sub>
Rating	Product is compliant 2018		

## MAXIMAL DATA

Name	Value		Unit	Formula symbol
	50 Hz	60 Hz		
Max. power consumption (device)	1296	1296	W	P <sub>ed,max</sub>
Max. operating current (device)	9.32	9.32	A	I <sub>ed,max</sub>
Max. speed	1640	1640	1/min	n <sub>max</sub>
Max. stat. efficiency	52.6	52.6	%	η <sub>es</sub>
Max. fan efficiency	54	54	%	η <sub>e</sub>
Max. flowrate	6800	6800	m <sup>3</sup> /h	q <sub>v,max</sub>
Max. stat pressure	870	870	Pa	p <sub>st,max</sub>
Max. medium temperature	120	120	°C	T <sub>m,max</sub>
Max. environment temperature	50	50	°C	T <sub>amb,max</sub>
Min. environment temperature	-20	-20	°C	T <sub>amb,min</sub>



to the product detail page

# MPC 450 EC TI 30

149413

**ruck**

## MOTOR DATA

Name	Value		Unit	Formula symbol
	50 Hz	60 Hz		
Rated frequency (device)		50		f
Motor type		EC		phase
Control type		stepless-controlled		ctrltype
Installation type		IRM (In)		install
Rotation direction		right		rotation
Isolation class		ISO F		ISOclass
Protection class		IP54		IP <sub>motor</sub>
Is pole-changeable		No		polexch
Type of power supply		AC 1~		pwrSUP <sub>motor</sub>
Rated voltage	230		V	U <sub>rated, f1</sub>
Rated current	8		A	I <sub>rated, f1</sub>
Shaft power	1100		W	P <sub>out, f1</sub>
Speed	2100		1/min	n <sub>f1</sub>
UL-Certification motor		None		ULcert

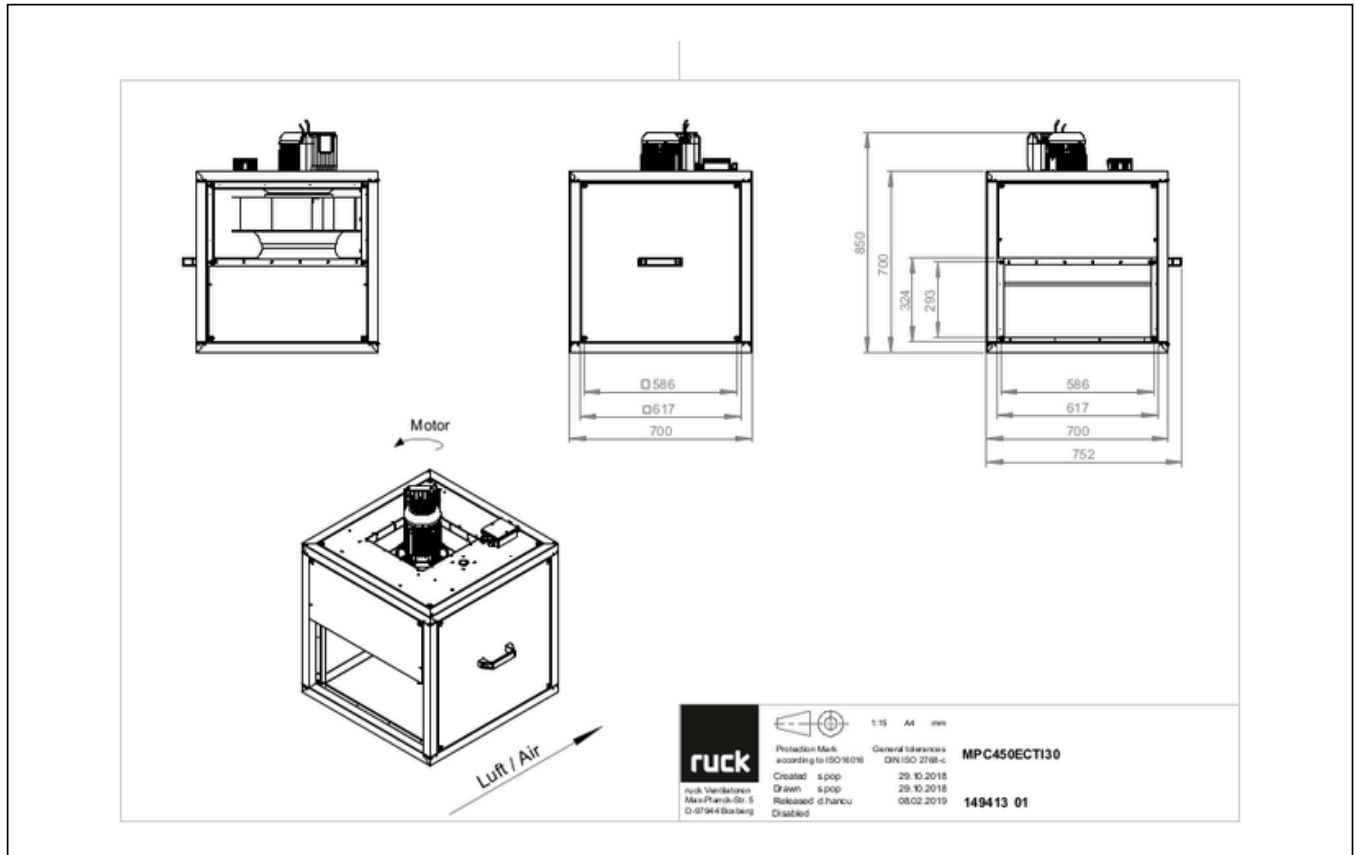


to the product detail page

# MPC 450 EC TI 30

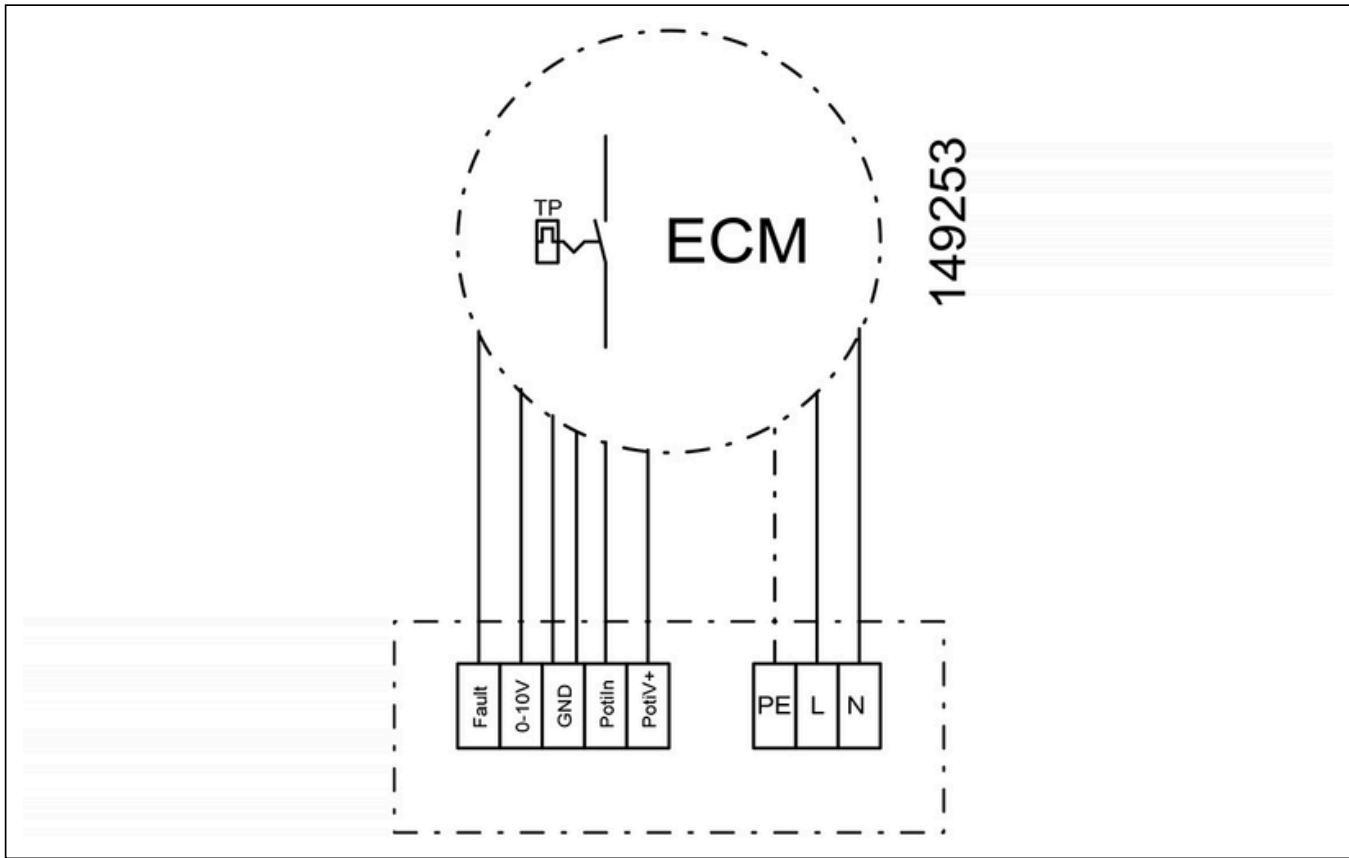
149413

## CIRCUIT DIAGRAMS / DIMENSIONAL DRAWINGS



# MPC 450 EC TI 30

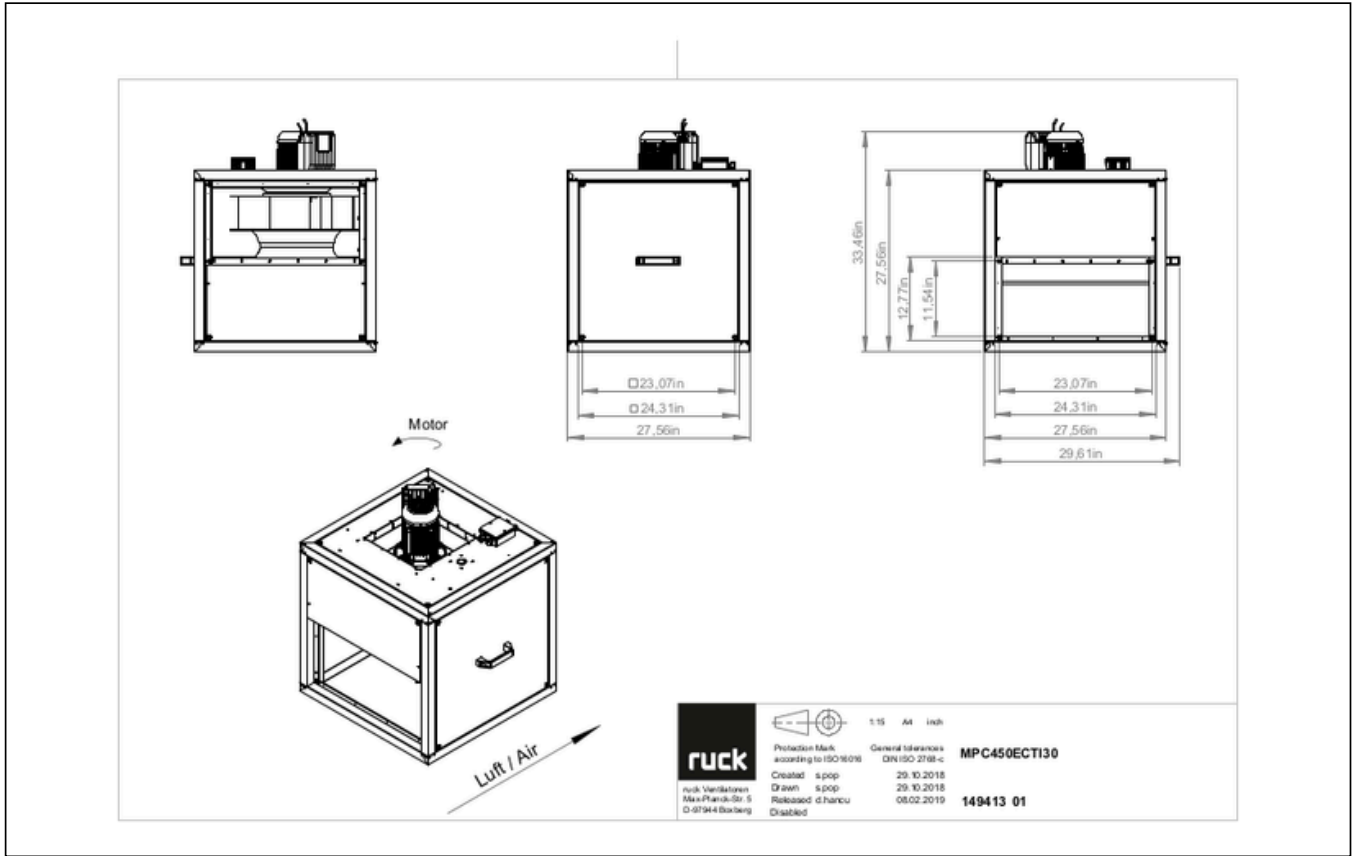
149413



to the product detail page

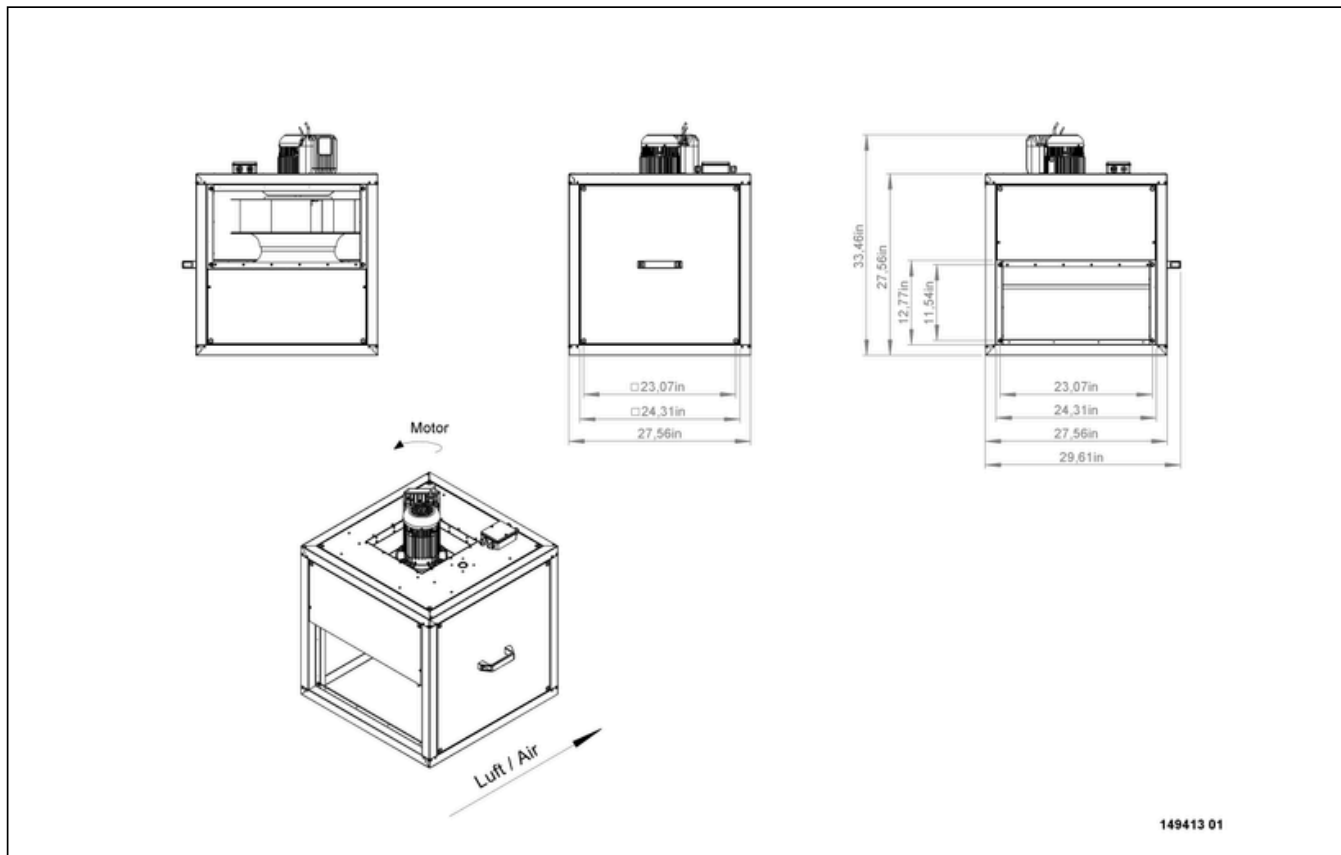
# MPC 450 EC TI 30

149413



# MPC 450 EC TI 30

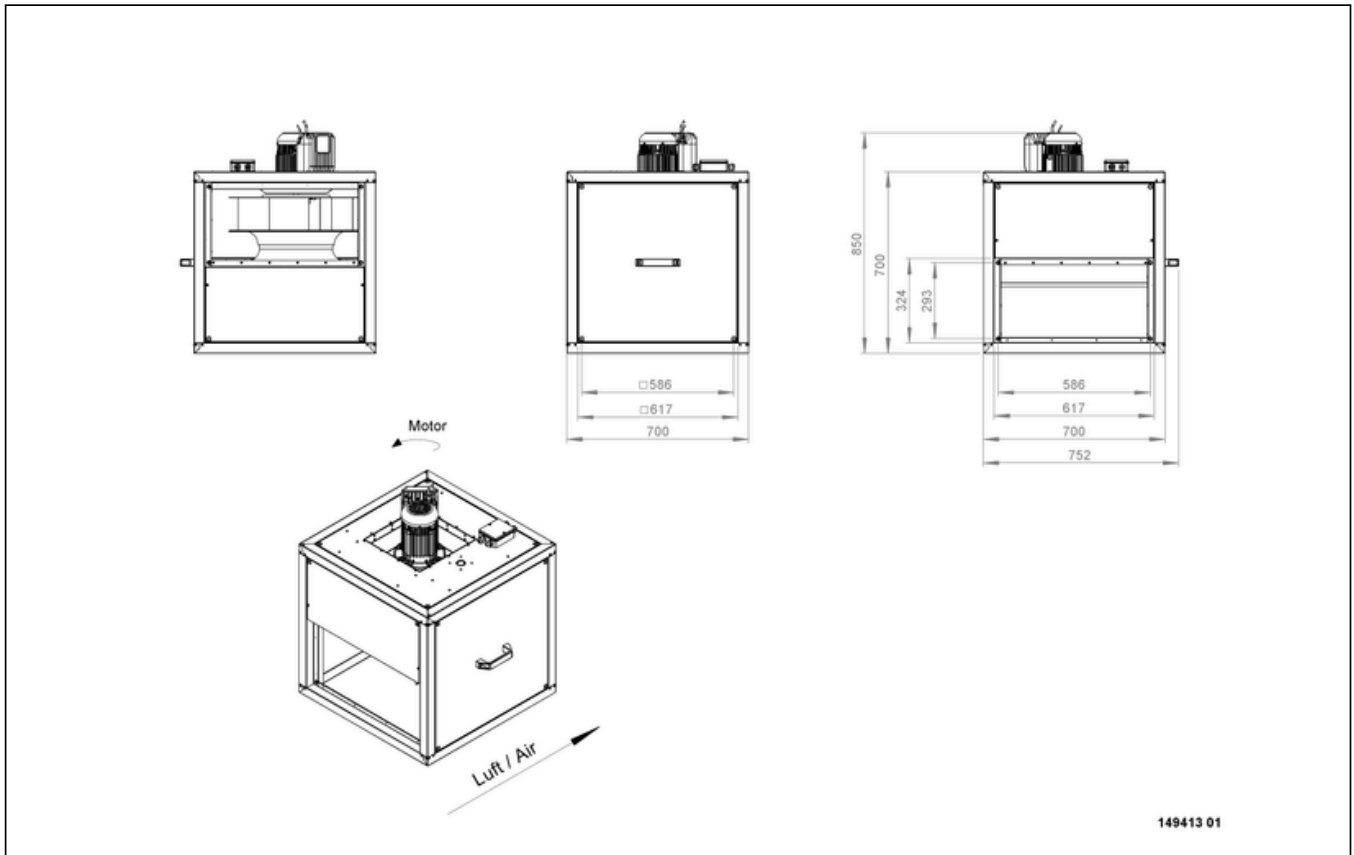
149413



to the product detail page

# MPC 450 EC TI 30

149413



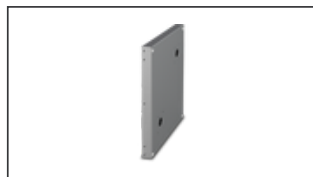
## MECHANICAL ACCESSORIES

**RSK 250D | 113488**



- Back draught shutter for tube fitting
- Galvanized steel sheet housing
- Aluminum flaps
- Integrated gasket

**UCPD 700 | 146790**



- Panel
- With condensate drain
- Galvanized steel sheet

**VS 58 30 | 160065**



- Duct connector, flexible
- Standard profile flange P20
- Galvanized steel sheet, plastic band (PVC)
- Temperature resistant up to 70 °C

**UKR 5830 11 | 160076**



- Transition duct / tube
- Steel sheet, galvanized
- 580 x 300 mm / NW 250 mm with seal lips

**VM 250 | 102651**



- Fast clamps for sound decoupling and sealing
- Galvanized steel sheet, 5 mm
- Neopren gasket
- 1 Pack = 2 pieces

**RSK 250 | 102686**



- Back draught shutter for tube fitting
- Galvanized steel sheet housing
- Aluminum flaps



to the product detail page



# MPC 450 EC TI 30

149413

## ELECTRICAL ACCESSORIES

GS 03 | 107633



- Device switch
- $U_{max} = 400\text{ V}$ ,  $I_{max} = 25\text{ A}$
- Switching capacity  $400\text{ V } 3\sim = 5,5\text{ kW}$
- Protection class IP 55

MTP 20 | 128146



- Potentiometer  $10\text{ k}\Omega$
- Switching contact  $1\text{A}/250\text{V AC}$  -  $2,5\text{A}/12\text{V DC}$
- Max. ambient temperature  $50\text{ }^\circ\text{C}$
- VDE

MTP 30 | 143289



- Stepped potentiometer  $10\text{ k}\Omega$
- Step 1 + 2 settable  $10\% - 100\% \text{ Vdc}$
- Step 3  $100\% \text{ Vdc}$
- Supply voltage  $+10\text{ Vdc}$

MTP 40 | 147359



- Potentiometer  $10\text{ k}\Omega$
- Connection in terminal box
- Max. ambient temperature  $50\text{ }^\circ\text{C}$
- PU: 20 pieces

SEN AIR | 148641



- Airflow and temperature transducer
- Measuring range temperature  $0...+50\text{ }^\circ\text{C}$
- With adjustable switching threshold (air speed)
- Measuring range air velocity up to  $20\text{ m/s}$

CON P1000 | 115259



- Constant pressure control
- Actual value display possible via optional control unit
- Output  $0-10\text{ V DC}$  + FC enable + setpoint reached
- Pressure setting by means of decade switch

SEN P1000 | 126080



- Differential pressure sensor
- P-control, PV-control
- P = 2 pcs. required, PV = 1 pcs. required

MTP 50 | 153133



- Potentiometer with multifunction output
- $230\text{ VAC } \pm 10\% / 50-60\text{ Hz}$
- Selectable output:  $1-10\text{ VDC} / 2-20\text{ mA}$  /  $10-100\% \text{ PWM}$
- Min. and max. output value adjustable

