

MPC 400 EC TI 30

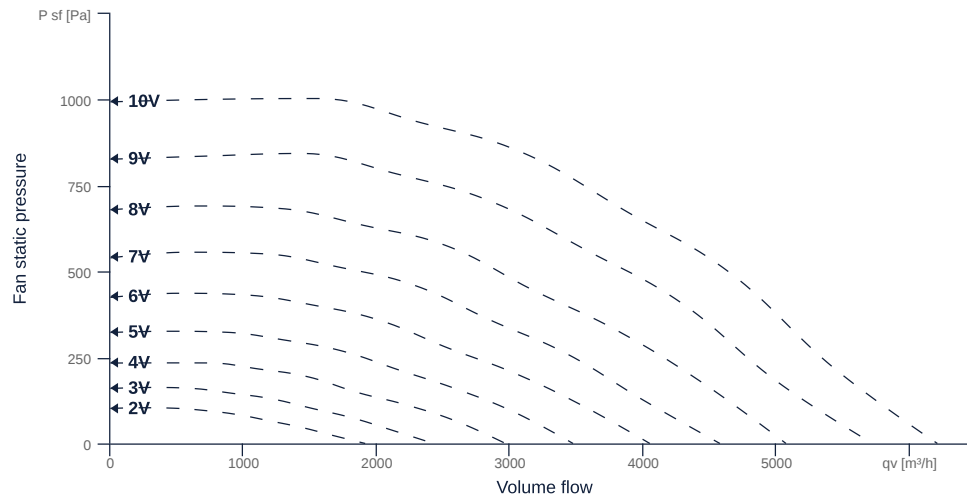
149406

- Backward curved radial impeller
- Removable side walls, variable discharge direction
- Sheet steel housing double-walled, 30 mm mineral wool
- EC motor outside the airflow, controllable
- Conveyed medium temperature up to 120 °C in continuous operation
- Housing bottom designed with integrated drain



MAP

Name	Value	Unit
Volume flow	0	m³/h
Pressure	0	Pa



to the product detail page

MPC 400 EC TI 30

149406

ruck

GENERAL DATA

Name	Value	Unit	Formula symbol
Labeling	CE, UKCA		
Duct size	-		WxH _{duct}
Pipe connection size (DN)	-		DN
Rated voltage (entire device)	230	V	U _{rated}
Phases (entire device)	1~		phase
Electrical protection (entire device)	10 A		fuse
Housing material	Galvanized steel		mat _{casing}
Impeller material	Steel		mat _{impeller}
Weight	70	kg	m
Nominal air flow rate, nominal point m ³ /h	3042	m ³ /h	q _{v,nom}
Nominal external pressure, static	692.2	Pa	p _{s,nom}
Fan type	Radial		Fan _{type}
Category / Installation situation	A		cat

ERP DATA (LOT 6)

Name	Value	Unit	Formula symbol
Nominal air flow rate, nominal point m ³ /s	0.85	m ³ /s	q _{v,nom}
Actual electrical input power, nominal point	0.98	kW	P _{e,nom}
Face velocity, nominal point	5.3	m/s	v _{nom}
Nominal external pressure, static	692.2	Pa	p _{s,nom}
supply air fan static efficiency, nominal point	68.3	%	η _{es,SUP}
Highest external air leakage rate	0.07	%	
Enclosure sound level, nominal point	74	dB(A)	L _{WA2}
Rating	Product is compliant 2018		

MAXIMAL DATA

Name	Value		Unit	Formula symbol
	50 Hz	60 Hz		
Max. power consumption (device)	1320	1320	W	P _{ed,max}
Max. operating current (device)	9.5	9.5	A	I _{ed,max}
Max. speed	2000	2000	1/min	n _{max}
Max. stat. efficiency	56.8	56.8	%	η _{es}
Max. fan efficiency	58	58	%	η _e
Max. flowrate	6210	6210	m ³ /h	q _{v,max}
Max. stat pressure	990	990	Pa	p _{st,max}
Max. medium temperature	120	120	°C	T _{m,max}
Max. environment temperature	50	50	°C	T _{amb,max}
Min. environment temperature	-20	-20	°C	T _{amb,min}



to the product detail page

MPC 400 EC TI 30

149406

ruck

MOTOR DATA

Name	Value		Unit	Formula symbol
	50 Hz	60 Hz		
Rated frequency (device)		50		f
Motor type		EC		phase
Control type		stepless-controlled		ctrltype
Installation type		IRM (In)		install
Rotation direction		right		rotation
Isolation class		ISO F		ISOclass
Protection class		IP54		IP _{motor}
Is pole-changeable		No		polexch
Type of power supply		AC 1~		pwrSUP _{motor}
Rated voltage	230		V	U _{rated, f1}
Rated current	8		A	I _{rated, f1}
Shaft power	1100		W	P _{out, f1}
Speed	2100		1/min	n _{f1}
UL-Certification motor		None		ULcert

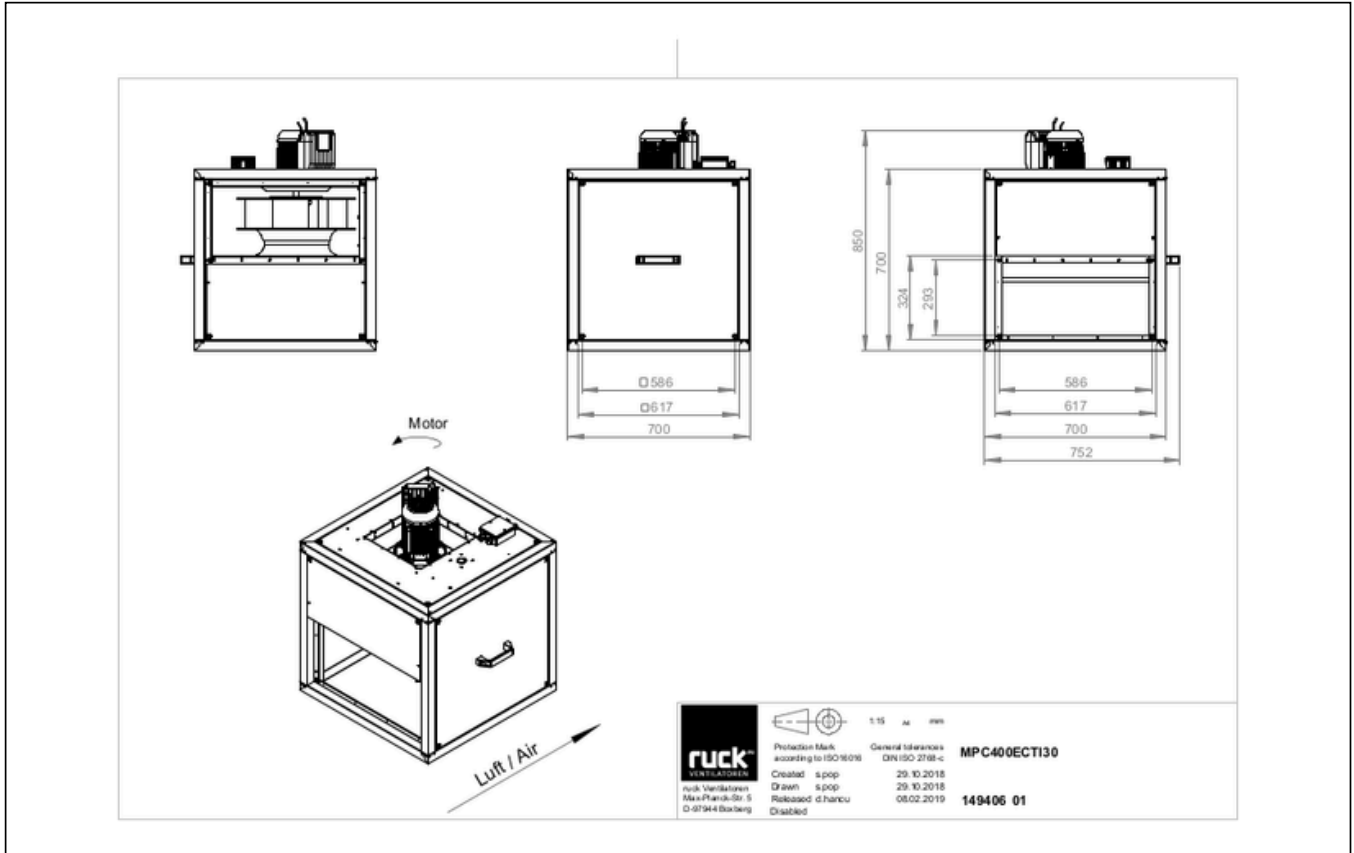


to the product detail page

MPC 400 EC TI 30

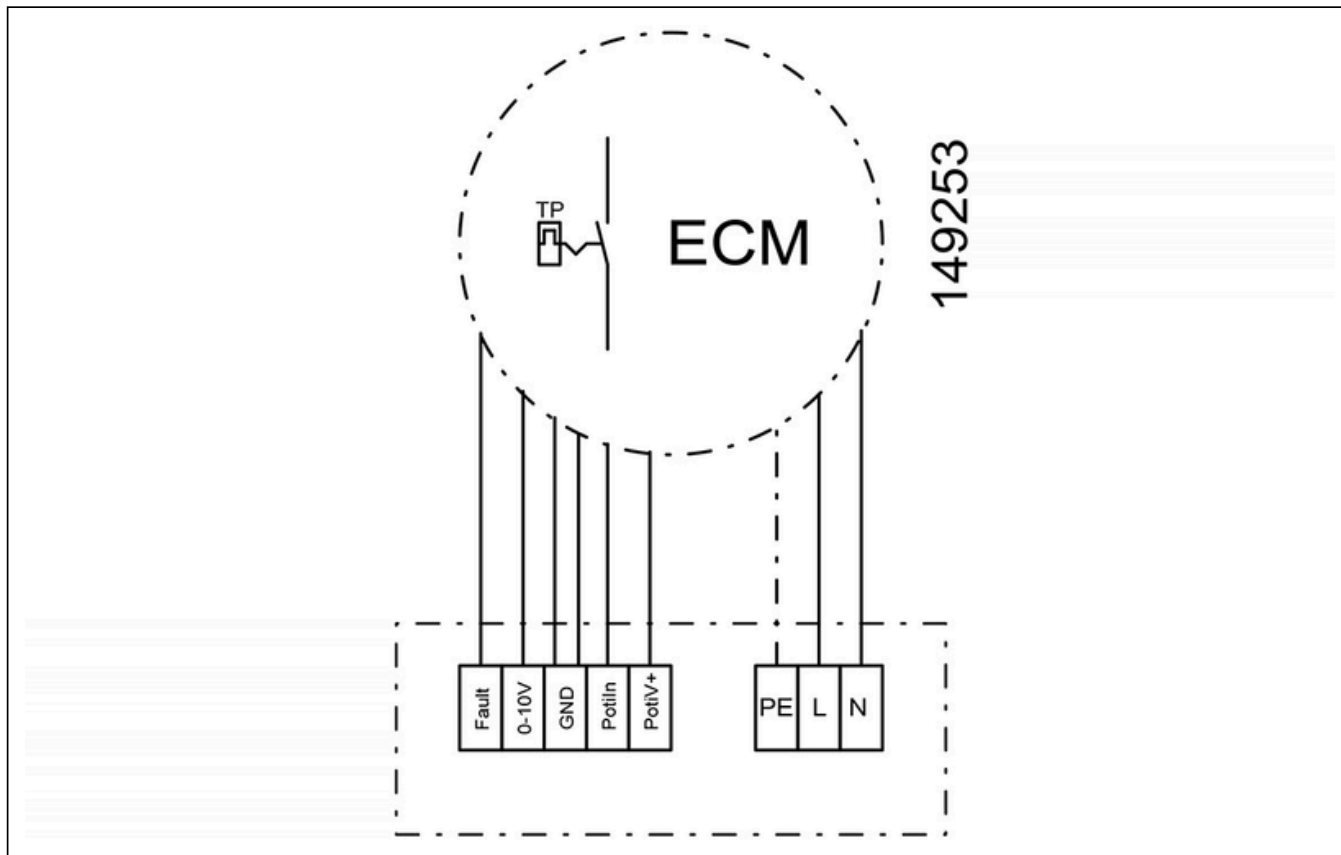
149406

CIRCUIT DIAGRAMS / DIMENSIONAL DRAWINGS



MPC 400 EC TI 30

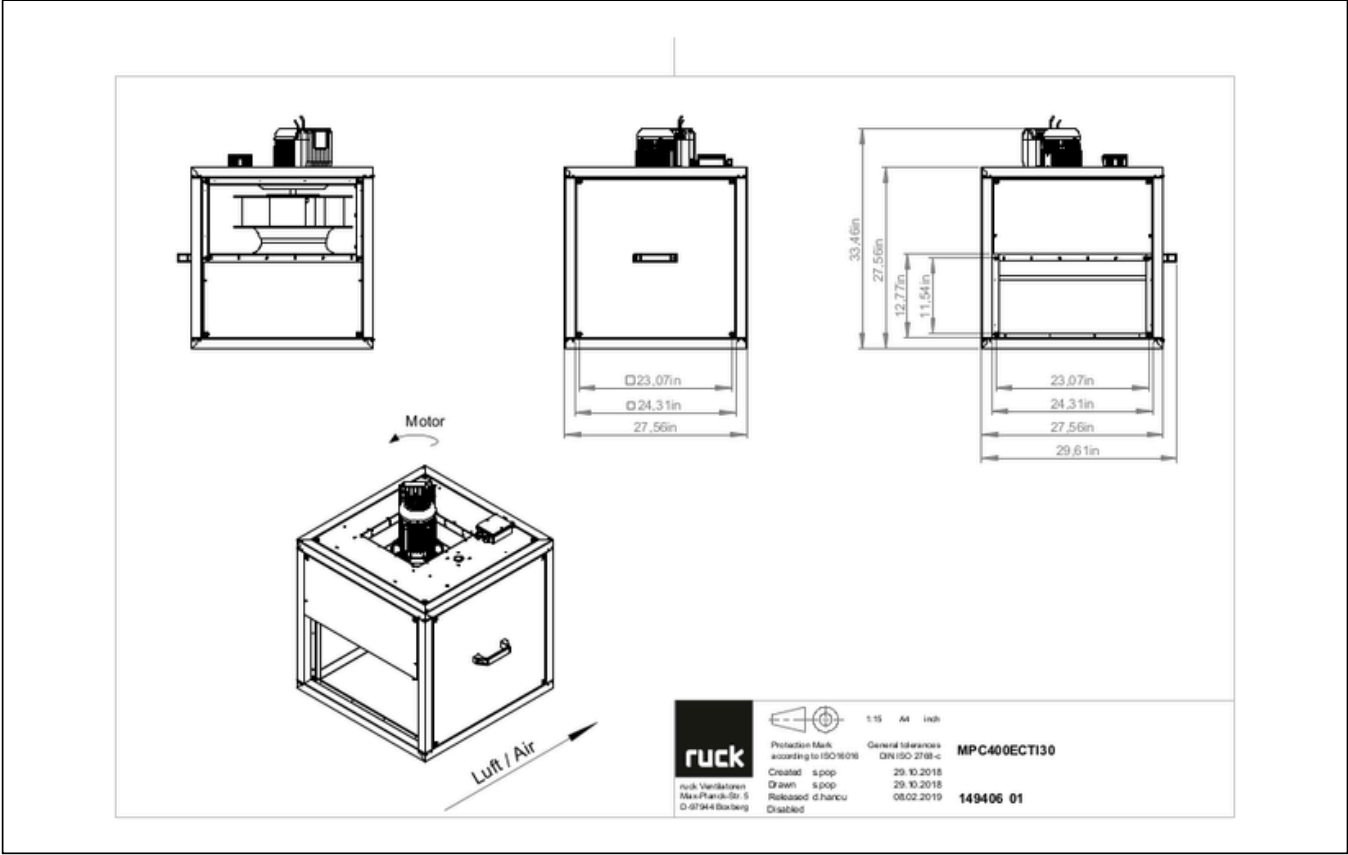
149406



to the product detail page

MPC 400 EC TI 30

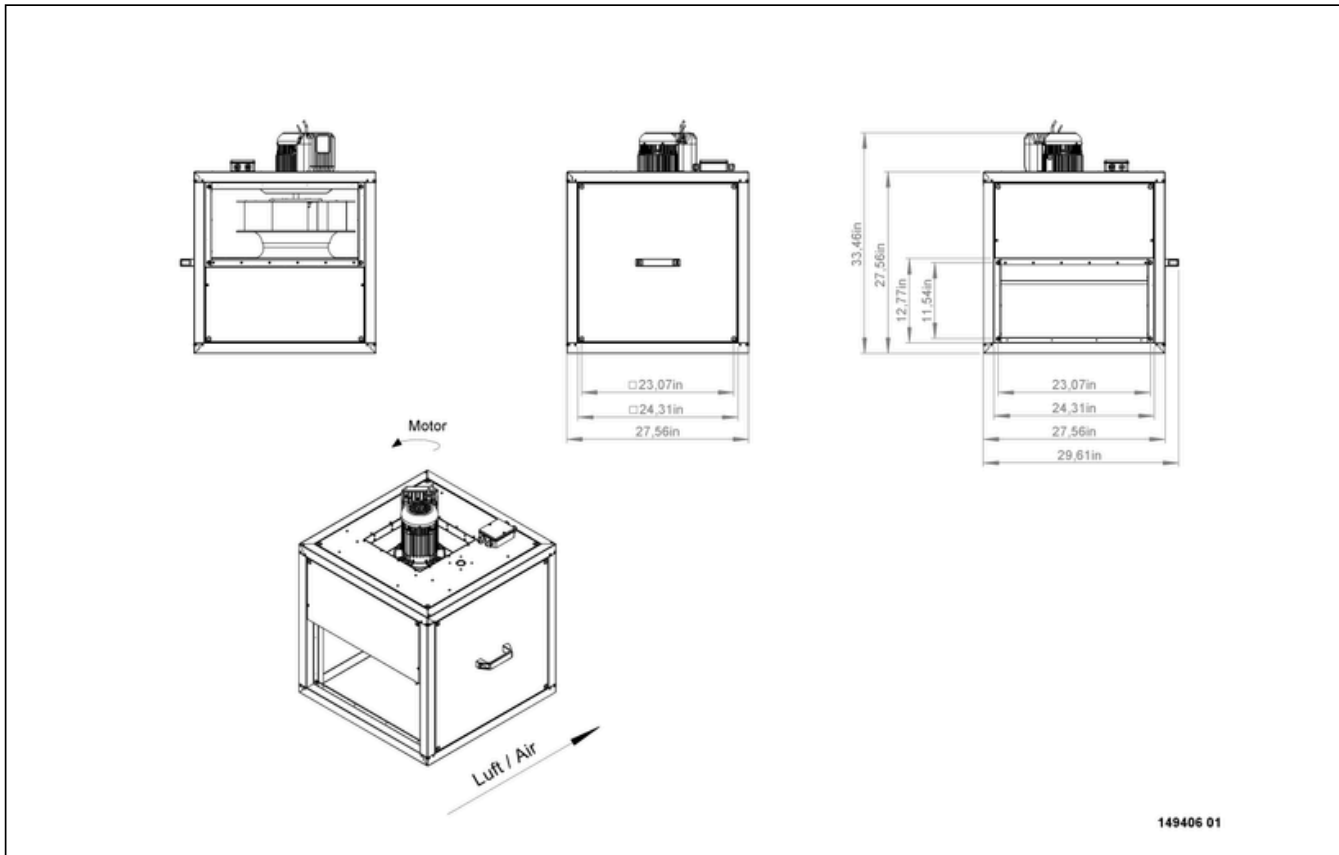
149406



to the product detail page

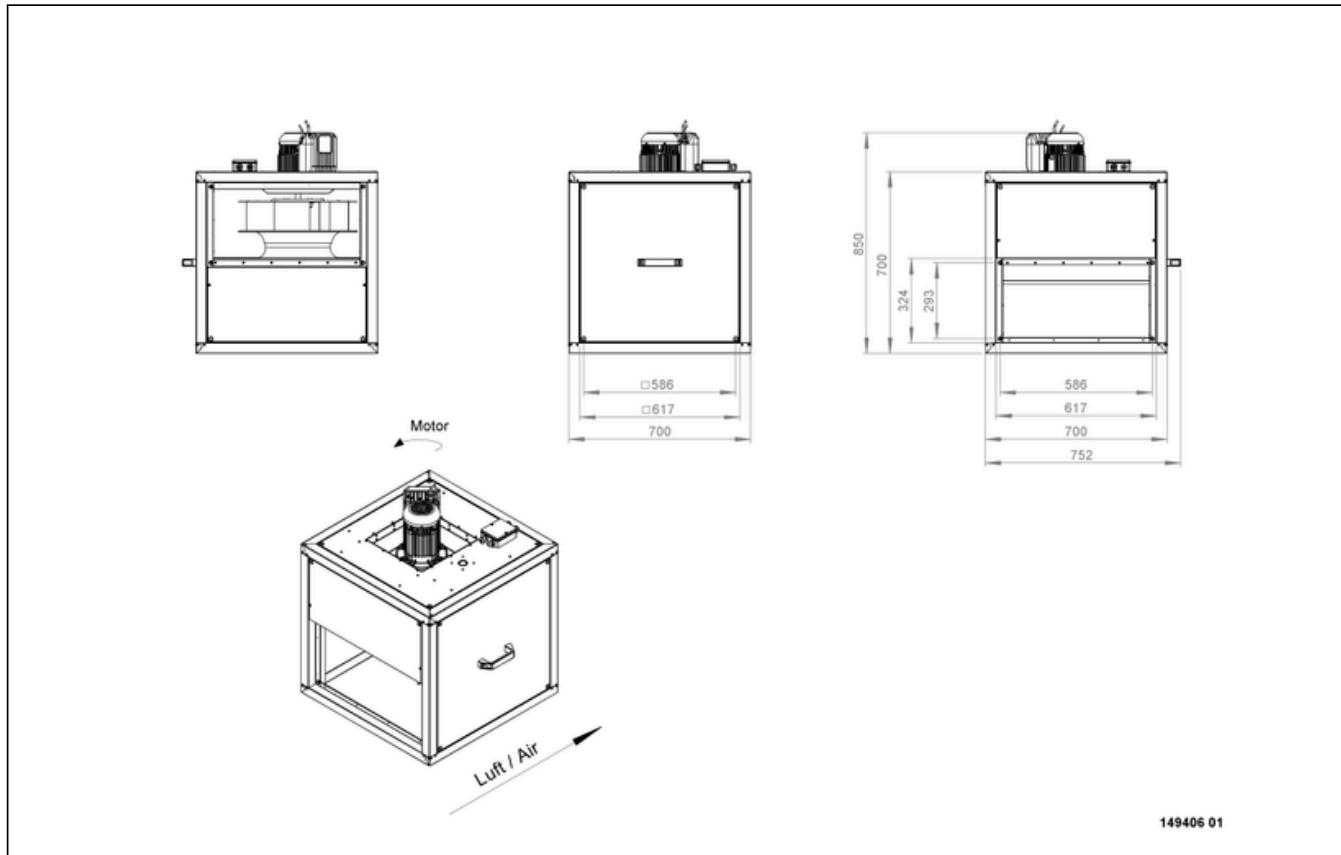
MPC 400 EC TI 30

149406



MPC 400 EC TI 30

149406



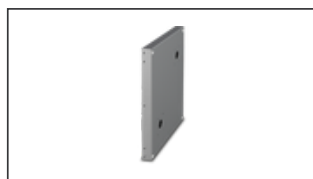
MECHANICAL ACCESSORIES

RSK 250D | 113488



- Back draught shutter for tube fitting
- Galvanized steel sheet housing
- Aluminum flaps
- Integrated gasket

UCPD 700 | 146790



- Panel
- With condensate drain
- Galvanized steel sheet

VS 58 30 | 160065



- Duct connector, flexible
- Standard profile flange P20
- Galvanized steel sheet, plastic band (PVC)
- Temperature resistant up to 70 °C

UKR 5830 11 | 160076



- Transition duct / tube
- Steel sheet, galvanized
- 580 x 300 mm / NW 250 mm with seal lips

VM 250 | 102651



- Fast clamps for sound decoupling and sealing
- Galvanized steel sheet, 5 mm
- Neopren gasket
- 1 Pack = 2 pieces

RSK 250 | 102686



- Back draught shutter for tube fitting
- Galvanized steel sheet housing
- Aluminum flaps



to the product detail page

MPC 400 EC TI 30

149406

ELECTRICAL ACCESSORIES

GS 03 | 107633



- Device switch
- $U_{max} = 400\text{ V}$, $I_{max} = 25\text{ A}$
- Switching capacity $400\text{ V } 3\sim = 5,5\text{ kW}$
- Protection class IP 55

MTP 20 | 128146



- Potentiometer $10\text{ k}\Omega$
- Switching contact $1\text{A}/250\text{V AC}$ - $2,5\text{A}/12\text{V DC}$
- Max. ambient temperature $50\text{ }^\circ\text{C}$
- VDE

MTP 30 | 143289



- Stepped potentiometer $10\text{ k}\Omega$
- Step 1 + 2 settable $10\% - 100\% \text{ Vdc}$
- Step 3 $100\% \text{ Vdc}$
- Supply voltage $+10\text{ Vdc}$

MTP 40 | 147359



- Potentiometer $10\text{ k}\Omega$
- Connection in terminal box
- Max. ambient temperature $50\text{ }^\circ\text{C}$
- PU: 20 pieces

SEN AIR | 148641



- Airflow and temperature transducer
- Measuring range temperature $0...+50\text{ }^\circ\text{C}$
- With adjustable switching threshold (air speed)
- Measuring range air velocity up to 20 m/s

CON P1000 | 115259



- Constant pressure control
- Actual value display possible via optional control unit
- Output $0-10\text{ V DC}$ + FC enable + setpoint reached
- Pressure setting by means of decade switch

SEN P1000 | 126080



- Differential pressure sensor
- P-control, PV-control
- P = 2 pcs. required, PV = 1 pcs. required

MTP 50 | 153133



- Potentiometer with multifunction output
- $230\text{ VAC } \pm 10\% / 50-60\text{ Hz}$
- Selectable output: $1-10\text{ VDC} / 2-20\text{ mA}$ / $10-100\% \text{ PWM}$
- Min. and max. output value adjustable

