

MPC 225 EC TI 30

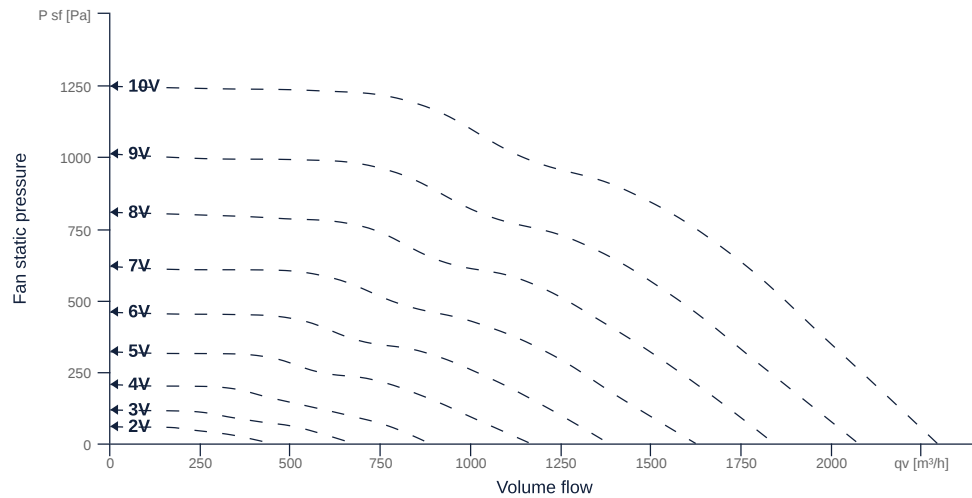
146152

- Backward curved radial impeller
- Removable side walls, variable discharge direction
- Sheet steel housing double-walled, 30 mm mineral wool
- EC motor outside the airflow, controllable
- Conveyed medium temperature up to 120 °C in continuous operation
- Housing bottom designed with integrated drain



MAP

Name	Value	Unit
Volume flow	0	m³/h
Pressure	0	Pa



to the product detail page

MPC 225 EC TI 30

146152

GENERAL DATA

Name	Value	Unit	Formula symbol
Labeling	CE, UKCA		
Duct size	-		WxH _{duct}
Pipe connection size (DN)	-		DN
Rated voltage (entire device)	230	V	U _{rated}
Phases (entire device)	1~		phase
Electrical protection (entire device)	6 A		fuse
Housing material	Galvanized steel		mat _{casing}
Impeller material	Steel		mat _{impeller}
Weight	33.6	kg	m
Nominal air flow rate, nominal point m ³ /h	1749.6	m ³ /h	q _{v,nom}
Nominal external pressure, static	633	Pa	p _{s,nom}
Fan type	Radial		Fan _{type}
Category / Installation situation	A		cat

ERP DATA (LOT 6)

Name	Value	Unit	Formula symbol
Nominal air flow rate, nominal point m ³ /s	0.49	m ³ /s	q _{v,nom}
Actual electrical input power, nominal point	0.73	kW	P _{e,nom}
Face velocity, nominal point	8.9	m/s	v _{nom}
Nominal external pressure, static	633	Pa	p _{s,nom}
supply air fan static efficiency, nominal point	63.2	%	η _{es,SUP}
Highest external air leakage rate	0.12	%	
Enclosure sound level, nominal point	80	dB(A)	L _{WA2}
Rating	Product is compliant 2018		

MAXIMAL DATA

Name	Value		Unit	Formula symbol
	50 Hz	60 Hz		
Max. power consumption (device)	756	756	W	P _{ed,max}
Max. operating current (device)	3.53	3.53	A	I _{ed,max}
Max. speed	4000	4000	1/min	n _{max}
Max. stat. efficiency	47	47	%	η _{es}
Max. fan efficiency	47.9	47.9	%	η _e
Max. flowrate	2290	2290	m ³ /h	q _{v,max}
Max. stat pressure	1250	1250	Pa	p _{st,max}
Max. medium temperature	120	120	°C	T _{m,max}
Max. environment temperature	50	50	°C	T _{amb,max}
Min. environment temperature	-20	-20	°C	T _{amb,min}



to the product detail page

MPC 225 EC TI 30

146152

MOTOR DATA

Name	Value		Unit	Formula symbol
	50 Hz	60 Hz		
Rated frequency (device)			50	f
Motor type			EC	phase
Control type			stepless-controlled	ctrltype
Installation type			IRM (In)	install
Rotation direction			right	rotation
Isolation class			ISO F	ISOclass
Protection class			IP54	IP _{motor}
Is pole-changeable			No	polexch
Type of power supply			AC 1~	pwrSUP _{motor}
Rated voltage	230		V	U _{rated, f1}
Rated current	4.4		A	I _{rated, f1}
Shaft power	750		W	P _{out, f1}
Speed	3000		1/min	n _{f1}
UL-Certification motor			UL recognized	ULcert

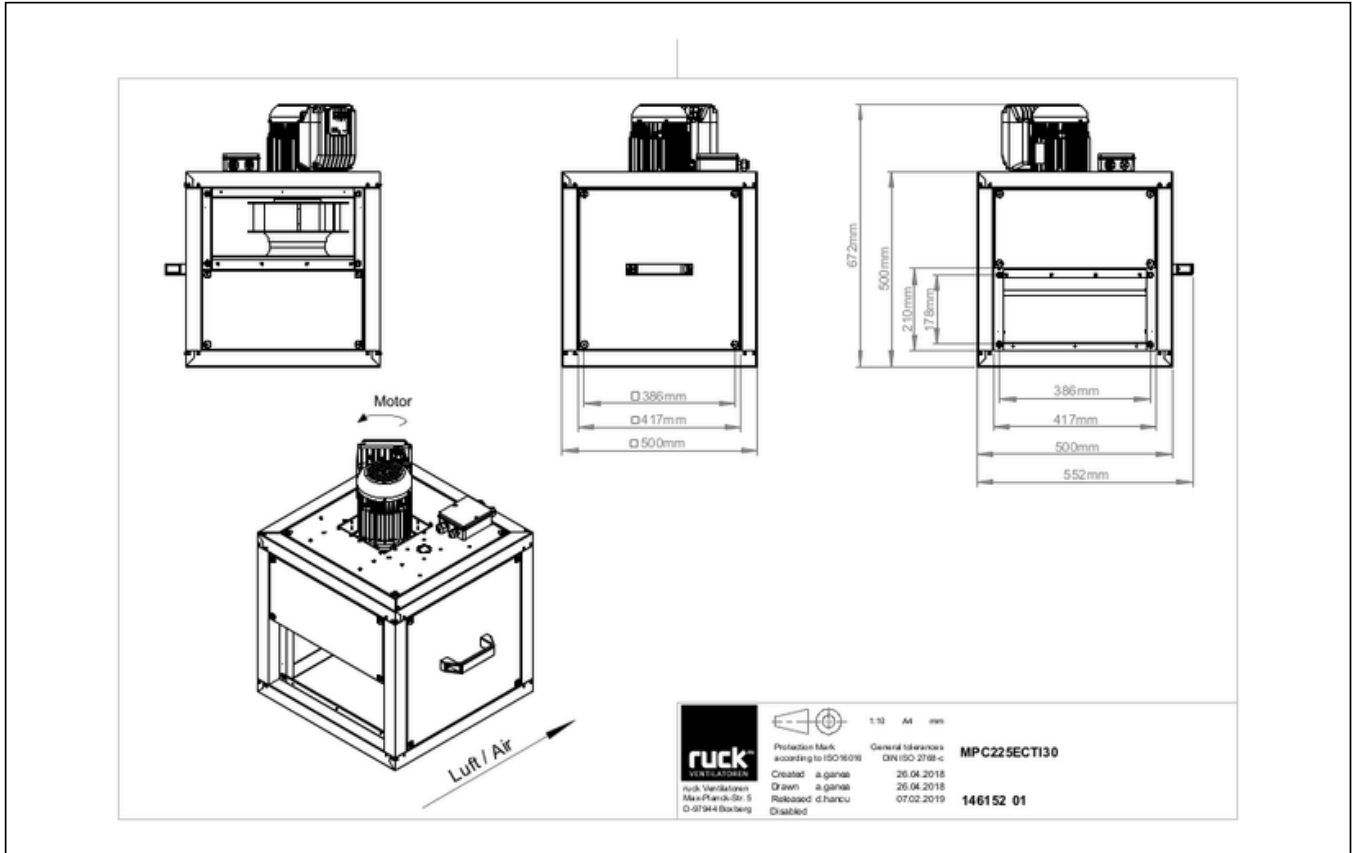


to the product detail page

MPC 225 EC TI 30

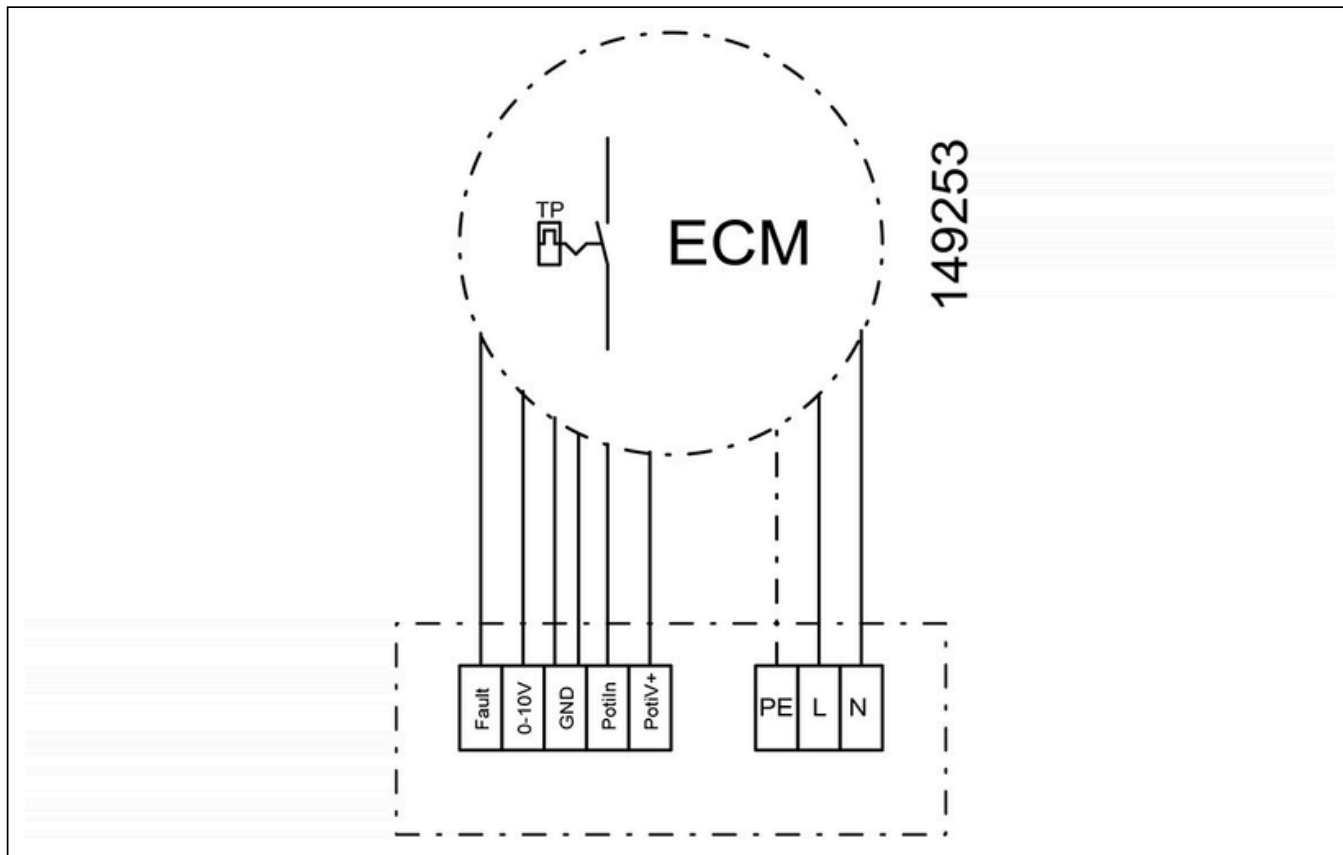
146152

CIRCUIT DIAGRAMS / DIMENSIONAL DRAWINGS



MPC 225 EC TI 30

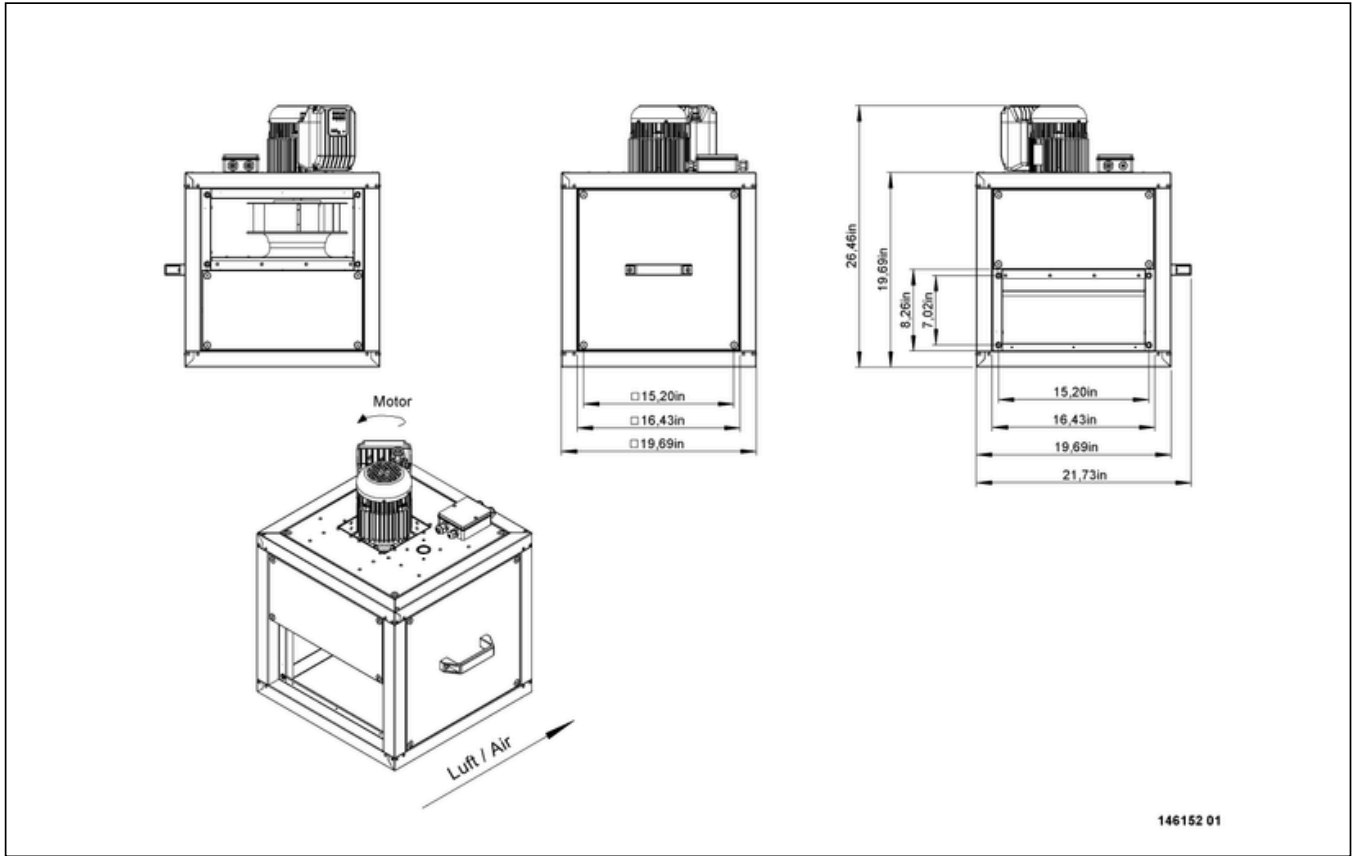
146152



to the product detail page

MPC 225 EC TI 30

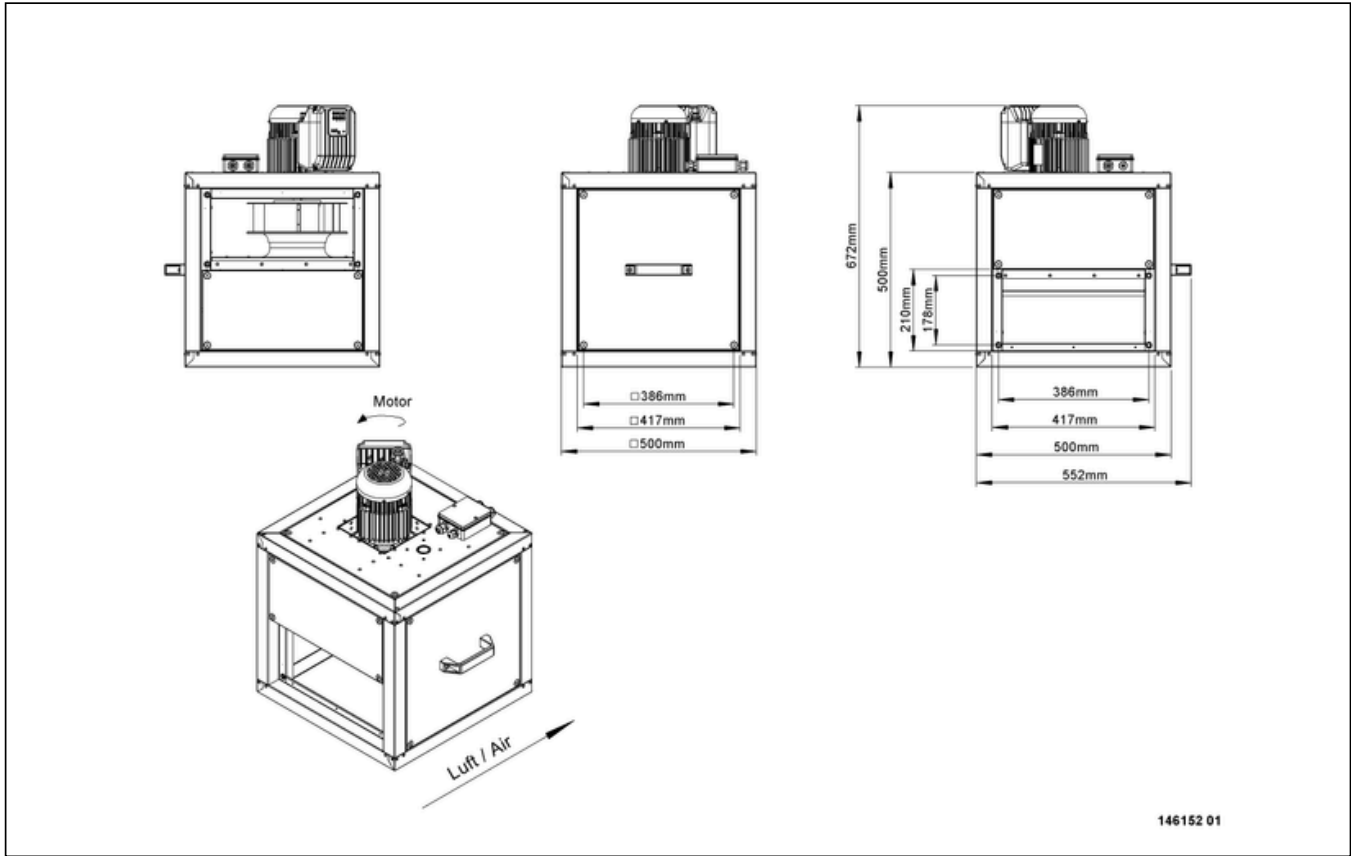
146152



to the product detail page

MPC 225 EC TI 30

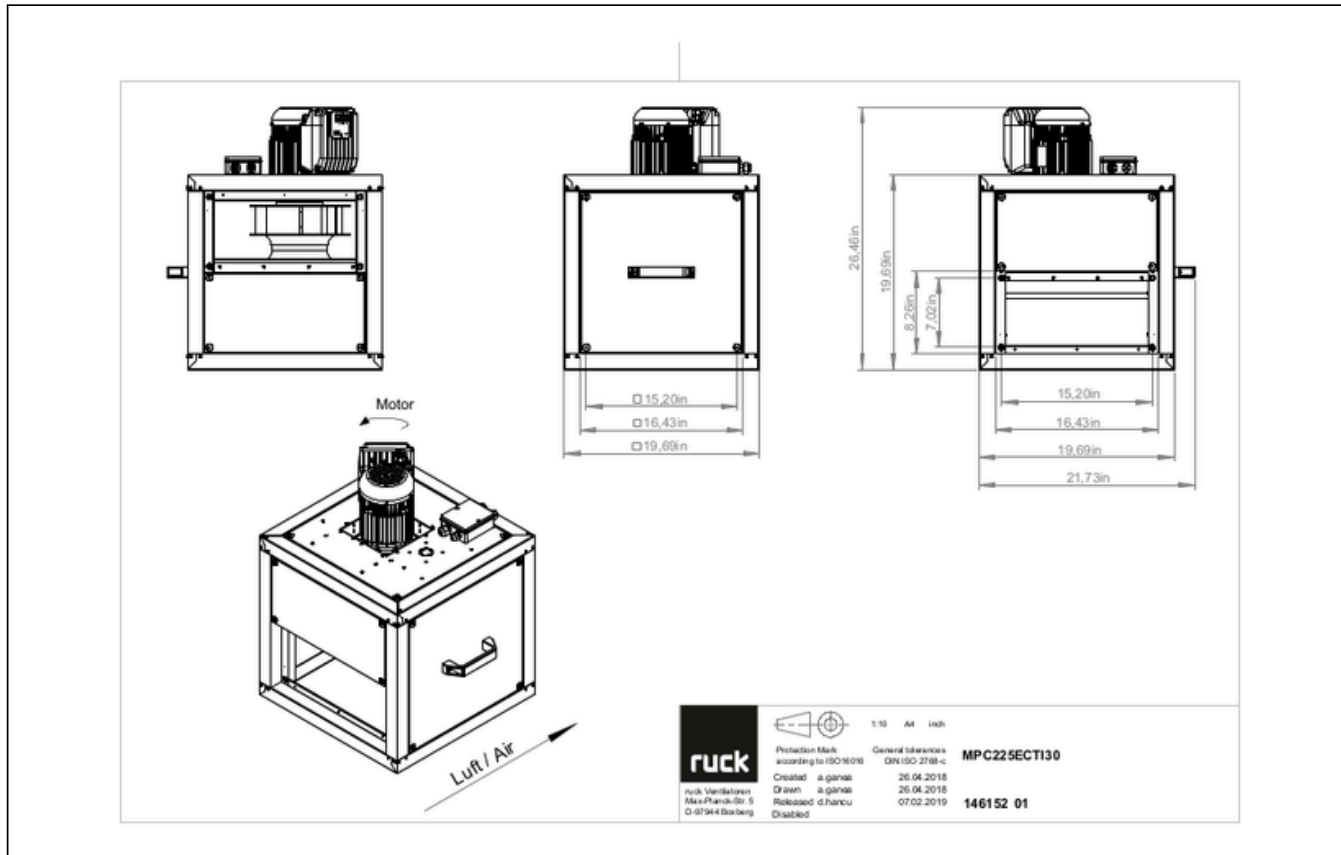
146152



146152 01

MPC 225 EC TI 30

146152



MECHANICAL ACCESSORIES

RSK 200 | 102662



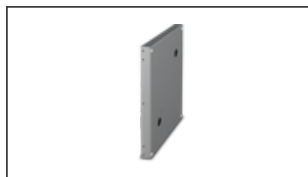
- Back draught shutter for tube fitting
- Galvanized steel sheet housing
- Aluminum flaps

RSK 200D | 113487



- Back draught shutter for tube fitting
- Galvanized steel sheet housing
- Aluminum flaps
- Integrated gasket

UCPD 500 | 146783



- Panel
- With condensate drain
- Galvanized steel sheet

VS 39 20 | 160121



- Duct connector, flexible
- Standard profile flange P20
- Galvanized steel sheet, plastic band (PVC)
- Temperature resistant up to 70 °C

UKR 3920 11 | 160127



- Transition duct / tube
- Steel sheet, galvanized
- 390 x 200 mm / NW 200 mm with seal lips

VM 200 | 102650



- Fast clamps for sound decoupling and sealing
- Galvanized steel sheet, 5 mm
- Neopren gasket
- 1 Pack = 2 pieces



MPC 225 EC TI 30

146152

ELECTRICAL ACCESSORIES

GS 03 | 107633



- Device switch
- $U_{max} = 400\text{ V}$, $I_{max} = 25\text{ A}$
- Switching capacity $400\text{ V } 3\sim = 5,5\text{ kW}$
- Protection class IP 55

MTP 20 | 128146



- Potentiometer $10\text{ k}\Omega$
- Switching contact $1\text{A}/250\text{V AC}$ - $2,5\text{A}/12\text{V DC}$
- Max. ambient temperature $50\text{ }^\circ\text{C}$
- VDE

MTP 30 | 143289



- Stepped potentiometer $10\text{ k}\Omega$
- Step 1 + 2 settable $10\% - 100\% \text{ Vdc}$
- Step 3 $100\% \text{ Vdc}$
- Supply voltage $+10\text{ Vdc}$

MTP 40 | 147359



- Potentiometer $10\text{ k}\Omega$
- Connection in terminal box
- Max. ambient temperature $50\text{ }^\circ\text{C}$
- PU: 20 pieces

SEN AIR | 148641



- Airflow and temperature transducer
- Measuring range temperature $0...+50\text{ }^\circ\text{C}$
- With adjustable switching threshold (air speed)
- Measuring range air velocity up to 20 m/s

CON P1000 | 115259



- Constant pressure control
- Actual value display possible via optional control unit
- Output $0-10\text{ V DC}$ + FC enable + setpoint reached
- Pressure setting by means of decade switch

SEN P1000 | 126080



- Differential pressure sensor
- P-control, PV-control
- P = 2 pcs. required, PV = 1 pcs. required

MTP 50 | 153133



- Potentiometer with multifunction output
- $230\text{ VAC } \pm 10\% / 50-60\text{ Hz}$
- Selectable output: $1-10\text{ VDC} / 2-20\text{ mA}$ / $10-100\% \text{ PWM}$
- Min. and max. output value adjustable

