

# RS 250

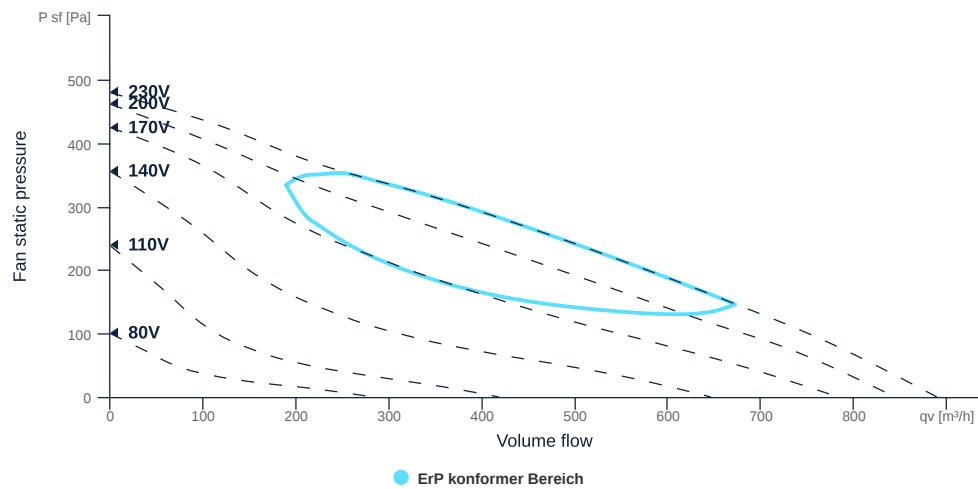
104213

- Compact radial fan
- Backward curved impeller
- Sheet steel housing, RAL 7035, powder coated
- Robust single phase AC motor, steplessly controllable
- Conveyed medium temperature up to 60 °C in continuous operation
- Integrated thermal switch



## MAP

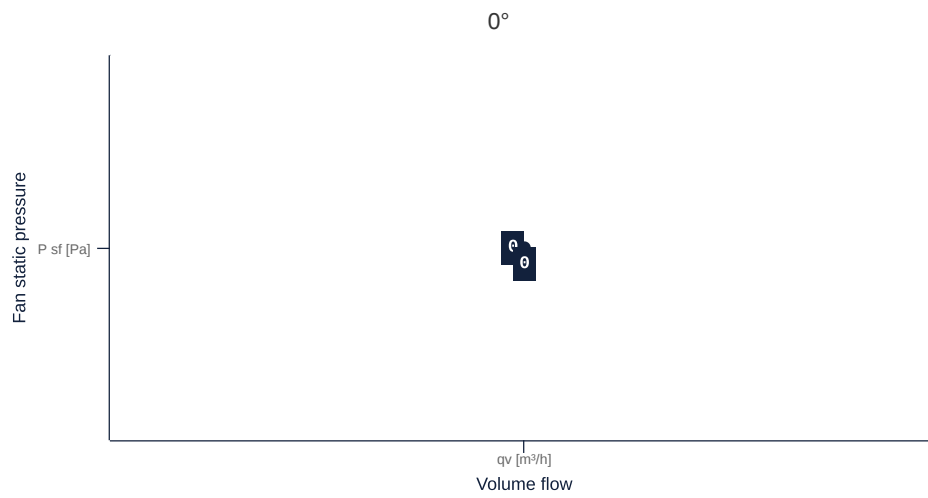
Name	Value	Unit
Volume flow	0	m³/h
Pressure	0	Pa



zur Produktseite

## MAP

Name	Value	Unit
Volume flow	0	m <sup>3</sup> /h
Pressure	0	Pa



## GENERAL DATA

Name	Value	Unit	Formula symbol
ERP conformity	Yes		
Certifications	CE, UKCA		
Duct size	-		WxHduct
Pipe connection size (DN)	DN250		DN
Rated voltage (entire device)	230	V	U <sub>rated</sub>
Phases (entire device)	1~		phase
Electrical protection (entire device)	6 A		fuse
Housing material	Steel		mat <sub>casing</sub>
Impeller material	Plastic		mat <sub>impeller</sub>
IP-protection class (entire device)	IPX4		IP <sub>compl</sub>
IP-Protection class (terminal box)	IP44		IP <sub>ebox</sub>
Weight	4.08	kg	m
Nominal air flow rate, nominal point m <sup>3</sup> /h	608.4	m <sup>3</sup> /h	q <sub>v,nom</sub>
Nominal external pressure, static	181	Pa	p <sub>s,nom</sub>
Fan type	Radial		Fan <sub>type</sub>
Category / Installation situation	A		cat

## ERP DATA (LOT 6)

Name	Value	Unit	Formula symbol
Nominal air flow rate, nominal point m <sup>3</sup> /s	0.17	m <sup>3</sup> /s	q <sub>v,nom</sub>
Actual electrical input power, nominal point	0.1	kW	P <sub>e,nom</sub>
Face velocity, nominal point	3.44	m/s	v <sub>nom</sub>
Nominal external pressure, static	181	Pa	p <sub>s,nom</sub>
supply air fan static efficiency, nominal point	30.3	%	η <sub>es,SUP</sub>
Enclosure sound level, nominal point	62	dB(A)	L <sub>WA2</sub>
Rating	Product is compliant 2018		



## MAXIMAL DATA

Name	Value		Unit	Formula symbol
	50 Hz	60 Hz		
Max. power consumption (device)	100	132	W	$P_{ed, max}$
Max. operating current (device)	0.46	0.6	A	$I_{ed, max}$
Max. speed	2720	3120	1/min	$n_{max}$
Max. stat. efficiency	30.3	25.7	%	$\eta_{es}$
Max. fan efficiency	30.9	26.1	%	$\eta_e$
Max. flowrate	890	970	m <sup>3</sup> /h	$Q_v, max$
Max. stat pressure	480	620	Pa	$p_{st, max}$
Max. medium temperature	60	80	°C	$T_{m, max}$
Max. environment temperature	60	80	°C	$T_{amb, max}$
Min. environment temperature	-25	-25	°C	$T_{amb, min}$
Min. voltage	80	80	V	$U_{min}$
Stall current	0.77	0.77	A	$I_{LRA}$

## MOTOR DATA

Name	Value		Unit	Formula symbol
	50 Hz	60 Hz		
Rated frequency (device)		50		f
Motor type		AC 1~		phase
Control type		stepless-controlled		ctrltype
Installation type		ORM (Out)		install
Rotation direction		right		rotation
Isolation class		ISO F		ISOclass
Motor-protection		TAI		protectmotor
Protection class		IP33		IPmotor
Is pole-changeable		No		polexch
Type of power supply		AC 1~		pwrsupmotor
Capacity capacitor		2.5	μF	$C_{cond}$
Voltage capacitor		450	V	$V_{Ucond}$
Number of poles (1)		2.000000		num polesw1
Rated voltage	230		V	$U_{rated, f1}$
Rated current	0.43		A	$I_{rated, f1}$
Speed	2390		1/min	$n_{f1}$
Efficiency	47.3		%	$\eta_{m, f1}$
Min. temperature	-30		°C	$T_{motor, min}$
Cos Phi	0.980000	0.000000		$\cos \varphi$
UL-Certification motor		None		ULcert



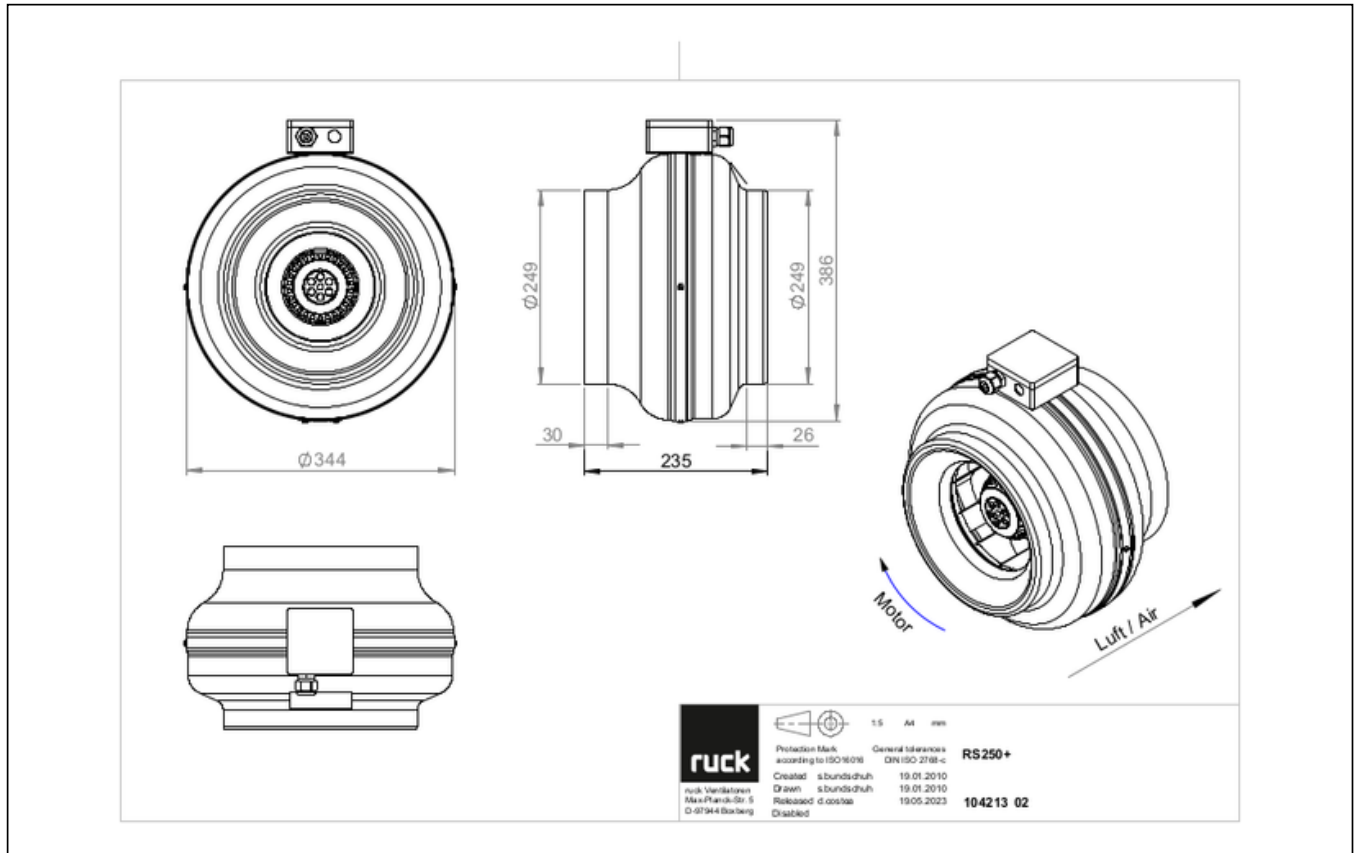
zur Produktseite

# RS 250

104213

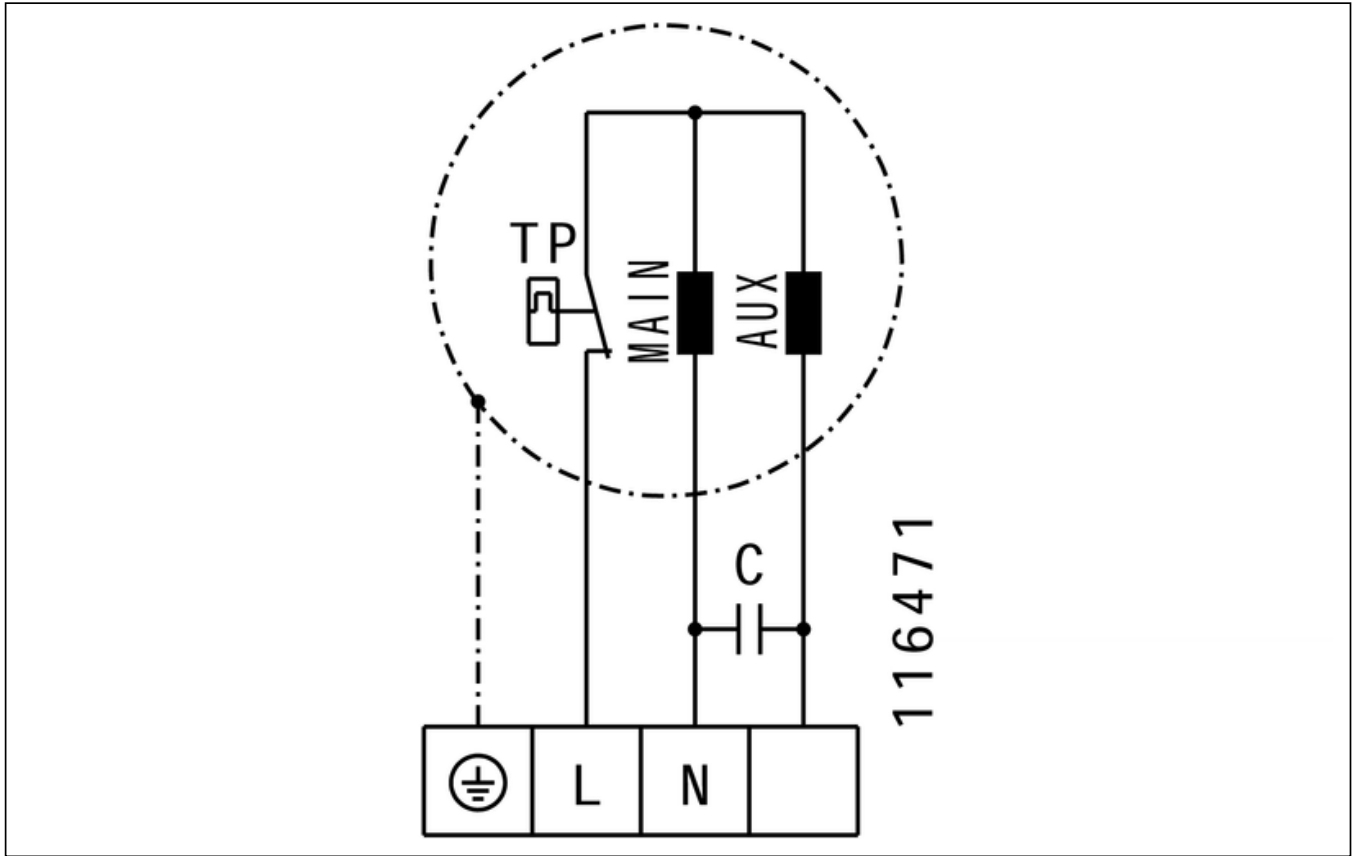


## SCHALTPLÄNE / MASSZEICHNUNGEN



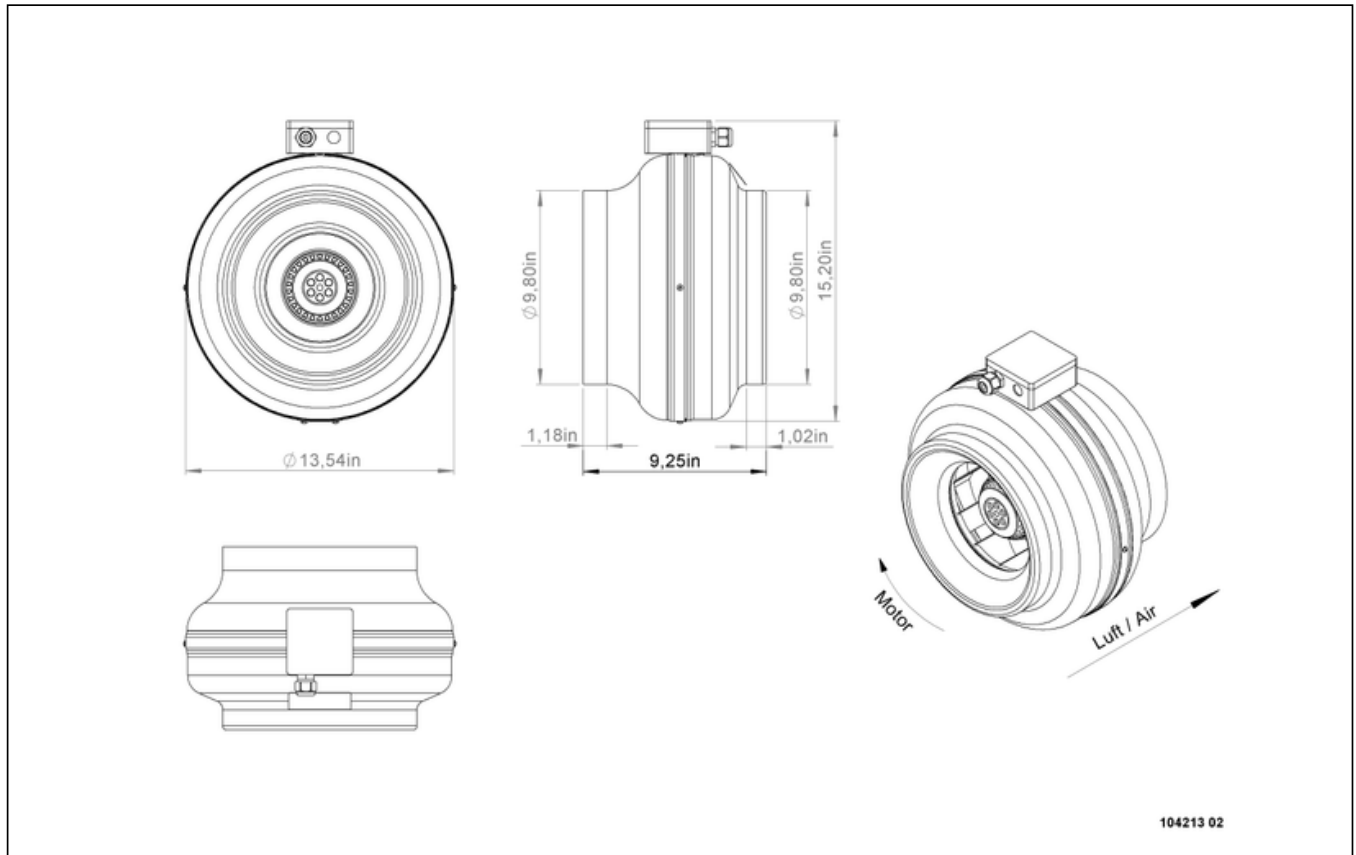
# RS 250

104213



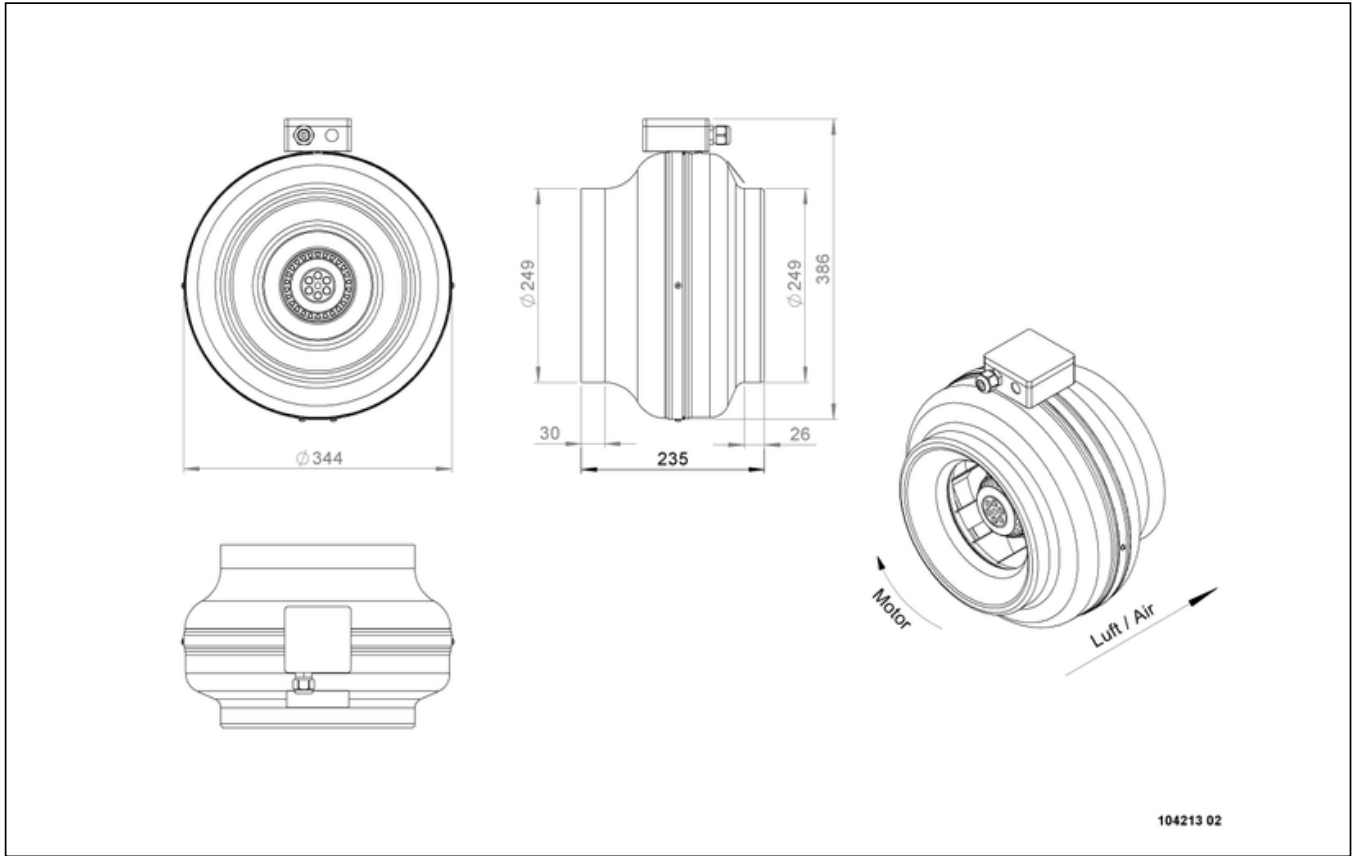
# RS 250

104213



# RS 250

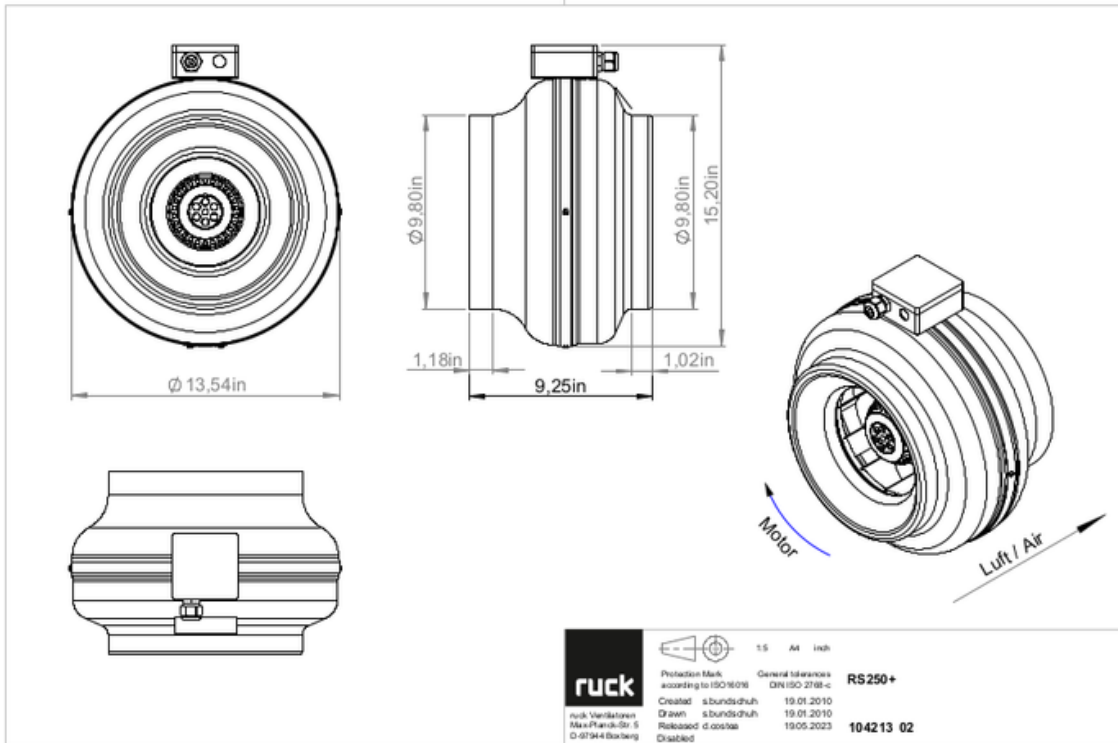
104213





# RS 250

104213



zur Produktseite

## MECHANICAL ACCESSORIES

**VM 250 | 102651**



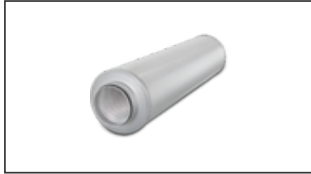
- Fast clamps for sound decoupling and sealing
- Galvanized steel sheet, 5 mm
- Neopren gasket
- 1 Pack = 2 pieces

**RSK 250 | 102686**



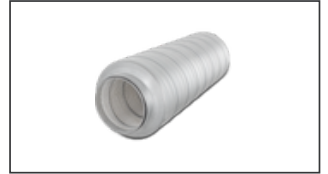
- Back draught shutter for tube fitting
- Galvanized steel sheet housing
- Aluminum flaps

**SDF 250 | 102705**



- Flexible tube silencer
- Galvanized steel sheet
- Sound insulation packing 50 mm

**SDS 250 | 102721**



- Rigid tube silencer
- Galvanized steel sheet
- Sound insulation packing 50 mm (mineral wool)

**SG 250 01 | 102899**



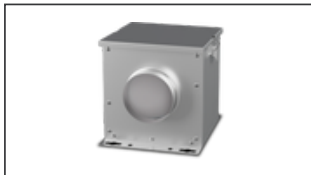
- Protection grille for tube connection
- Galvanized wire

**MRS 2 | 110095**



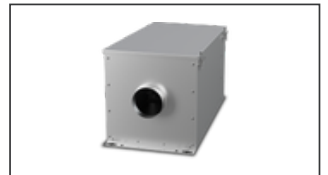
- Mounting bracket
- Galvanized steel sheet
- Includes: Mounting bracket and 2 Phillips screws (6 x 45 mm), 2 dowels (8 x 40 mm)

**FV 250 | 112833**



- Air filter box with mat filter ISO Coarse 45 % (G3)
- Toggle-type fastener

**FT 250 | 112845**



- Air filter box for pocket filter
- Toggle-type fastener
- Galvanized steel sheet housing
- Without filter

**FTW 250 | 112854**



- Air filter box with pocket filter M5
- Integrated warm water heating coil
- Galvanized steel sheet housing
- Toggle-type fastener

**RSK 250D | 113488**



- Back draught shutter for tube fitting
- Galvanized steel sheet housing
- Aluminum flaps
- Integrated gasket

**KWR 250 01 | 124065**



- Cold water cooler, uninsulated
- Version right
- Connection ND 250
- Galvanized steel sheet with condensate tray

**KWR 250 02 | 124066**



- Cold water cooler, uninsulated
- Version left
- Connection ND 250
- Galvanized steel sheet with condensate tray

**DVR 250 01 | 126775**



- Direct evaporator for reversing circuit, uninsulated
- Version right
- Integrated condensate tray
- Connection ND 250

**DVR 250 02 | 126776**



- Direct evaporator for reversing circuit, uninsulated
- Version left
- Integrated condensate tray
- Connection ND 250



zur Produktseite

# RS 250

104213

## ELECTRICAL ACCESSORIES

**GS 01 | 102787**



- Isolator switch
- $U_{max} = 400\text{ V}$ , 50/60 Hz
- Switching capacity 400 V 3~ = 5,5 kW
- $I_{max} = 16\text{ A}$

**MTY 1 | 103428**



- Electronic controller
- Stepless
- 230 V ~, 50 Hz
- Max. ambient temperature 35 °C
- $I_{max} = 1\text{ A}$
- Surface and flush mounting

**TES 0145 | 111858**



- Step transformer
- 230 V ~, 50/60 Hz

**ETY 15 | 115891**



- Electronic controller
- Stepless speed control
- 230 V ~, 50 Hz, 2,5 A
- Max. ambient temperature 35 °C

**TEE 015 | 115893**



- 5-step transformer
- 230 V ~, 50/60 Hz



zur Produktseite