

RS 200

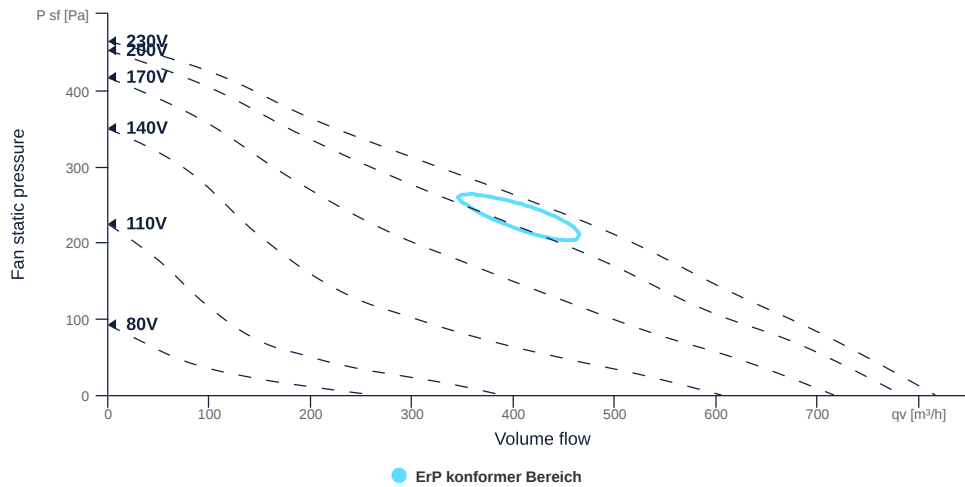
104209

- Compact radial fan
- Backward curved impeller
- Sheet steel housing, RAL 7035, powder coated
- Robust single phase AC motor, steplessly controllable
- Conveyed medium temperature up to 70 °C in continuous operation
- Integrated thermal switch



MAP

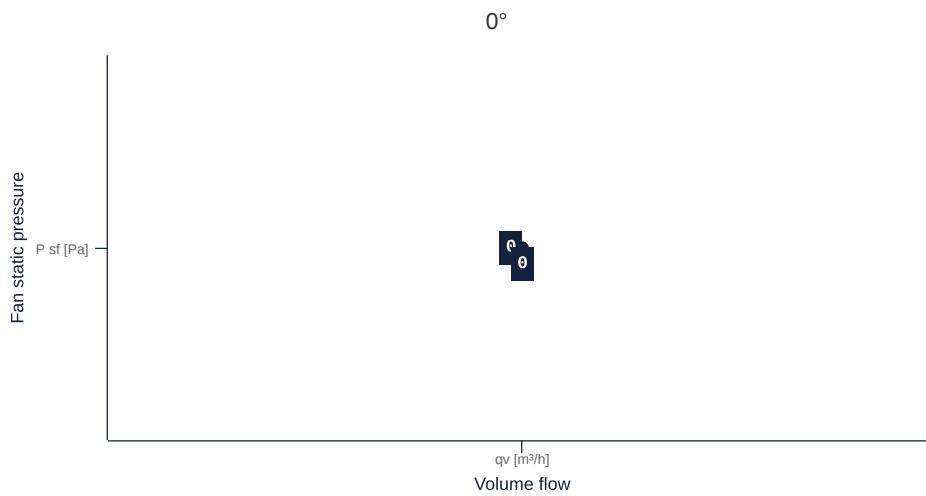
Name	Value	Unit
Volume flow	0	m³/h
Pressure	0	Pa



zur Produktseite

MAP

Name	Value	Unit
Volume flow	0	m³/h
Pressure	0	Pa



GENERAL DATA

Name	Value	Unit	Formula symbol
ERP conformity	Yes		
Certifications	CE, UKCA		
Duct size	-		WxHduct
Pipe connection size (DN)	DN200		DN
Rated voltage (entire device)	230	V	U _{rated}
Phases (entire device)	1~		phase
Electrical protection (entire device)	6 A		fuse
Housing material	Steel		mat _{casing}
Impeller material	Plastic		mat _{impeller}
IP-protection class (entire device)	IPX4		IP _{compl}
IP-Protection class (terminal box)	IP44		IP _{ebox}
Weight	4.05	kg	m
Nominal air flow rate, nominal point m ³ /h	468	m ³ /h	q _{v,nom}
Nominal external pressure, static	228	Pa	p _{s,nom}
Fan type	Radial		Fan _{type}
Category / Installation situation	A		cat

ERP DATA (LOT 6)

Name	Value	Unit	Formula symbol
Nominal air flow rate, nominal point m ³ /s	0.13	m ³ /s	q _{v,nom}
Actual electrical input power, nominal point	0.1	kW	P _{e,nom}
Face velocity, nominal point	4.15	m/s	v _{nom}
Nominal external pressure, static	228	Pa	p _{s,nom}
supply air fan static efficiency, nominal point	31.8	%	η _{es,SUP}
Enclosure sound level, nominal point	59	dB(A)	L _{WA2}
Rating	Product is compliant 2018		



zur Produktseite

MAXIMAL DATA

Name	Value		Unit	Formula symbol
	50 Hz	60 Hz		
Max. power consumption (device)	100	130	W	$P_{ed, max}$
Max. operating current (device)	0.46	0.6	A	$I_{ed, max}$
Max. speed	2720	3110	1/min	n_{max}
Max. stat. efficiency	27.9	24.1	%	η_{es}
Max. fan efficiency	28.9	25.1	%	η_e
Max. flowrate	810	880	m ³ /h	Q_v, max
Max. stat pressure	460	610	Pa	$p_{st, max}$
Max. medium temperature	70	80	°C	$T_{m, max}$
Max. environment temperature	70	80	°C	$T_{amb, max}$
Min. environment temperature	-25	-25	°C	$T_{amb, min}$
Min. voltage	80	80	V	U_{min}
Stall current	0.77	0.75	A	I_{LRA}

MOTOR DATA

Name	Value		Unit	Formula symbol
	50 Hz	60 Hz		
Rated frequency (device)		50		f
Motor type		AC 1~		phase
Control type		stepless-controlled		ctrltype
Installation type		ORM (Out)		install
Rotation direction		right		rotation
Isolation class		ISO F		ISOclass
Motor-protection		TAI		protectmotor
Protection class		IP33		IPmotor
Is pole-changeable		No		polexch
Type of power supply		AC 1~		pwrsupmotor
Capacity capacitor		2.5	μF	C_{cond}
Voltage capacitor		450	V	V_{Ucond}
Number of poles (1)		2.000000		num polesw1
Rated voltage	230		V	$U_{rated, f1}$
Rated current	0.43		A	$I_{rated, f1}$
Speed	2390		1/min	n_{f1}
Efficiency	47.3		%	$\eta_{m, f1}$
Min. temperature	-30		°C	$T_{motor, min}$
Cos Phi	0.980000	0.000000		$\cos \varphi$
UL-Certification motor		None		ULcert



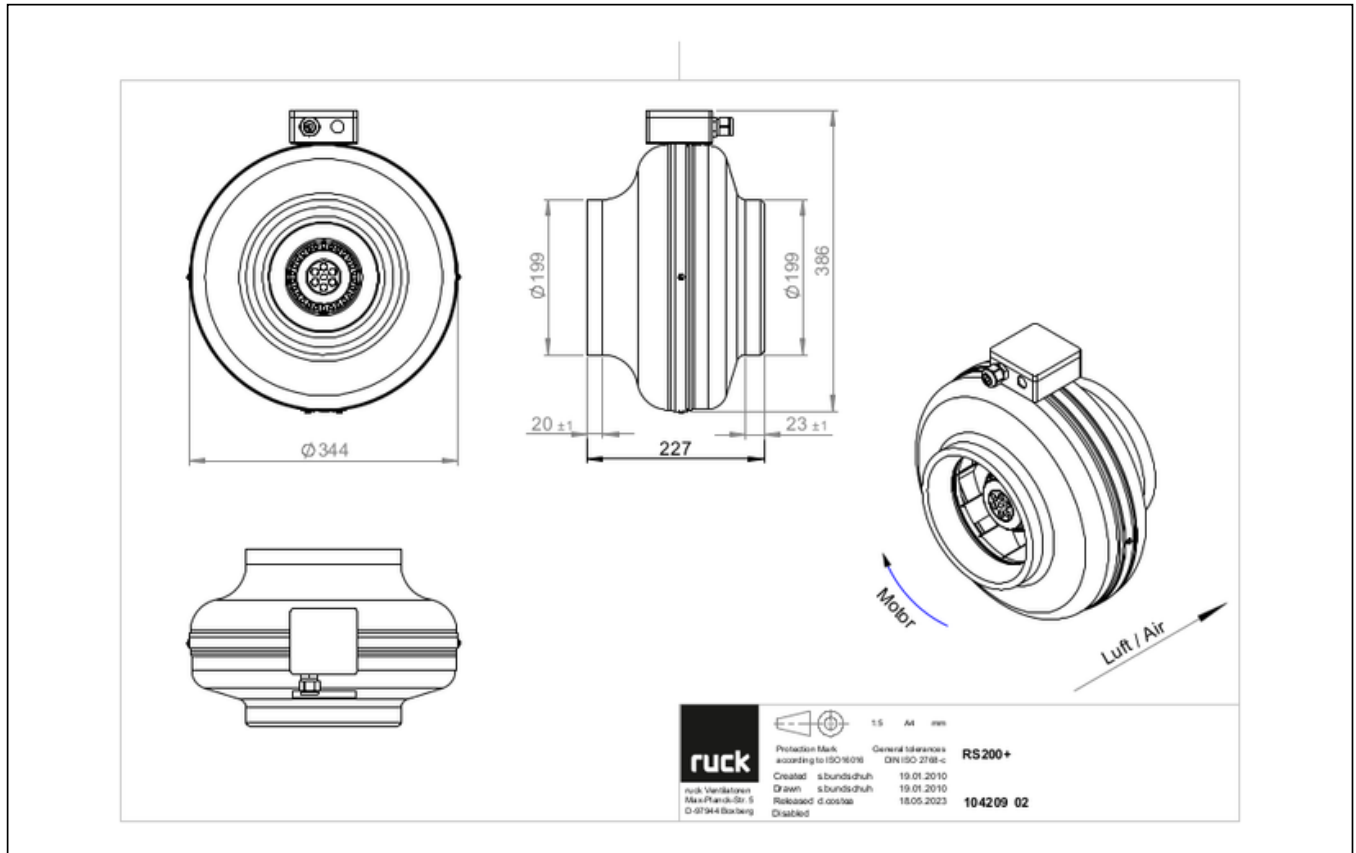
zur Produktseite

RS 200

104209

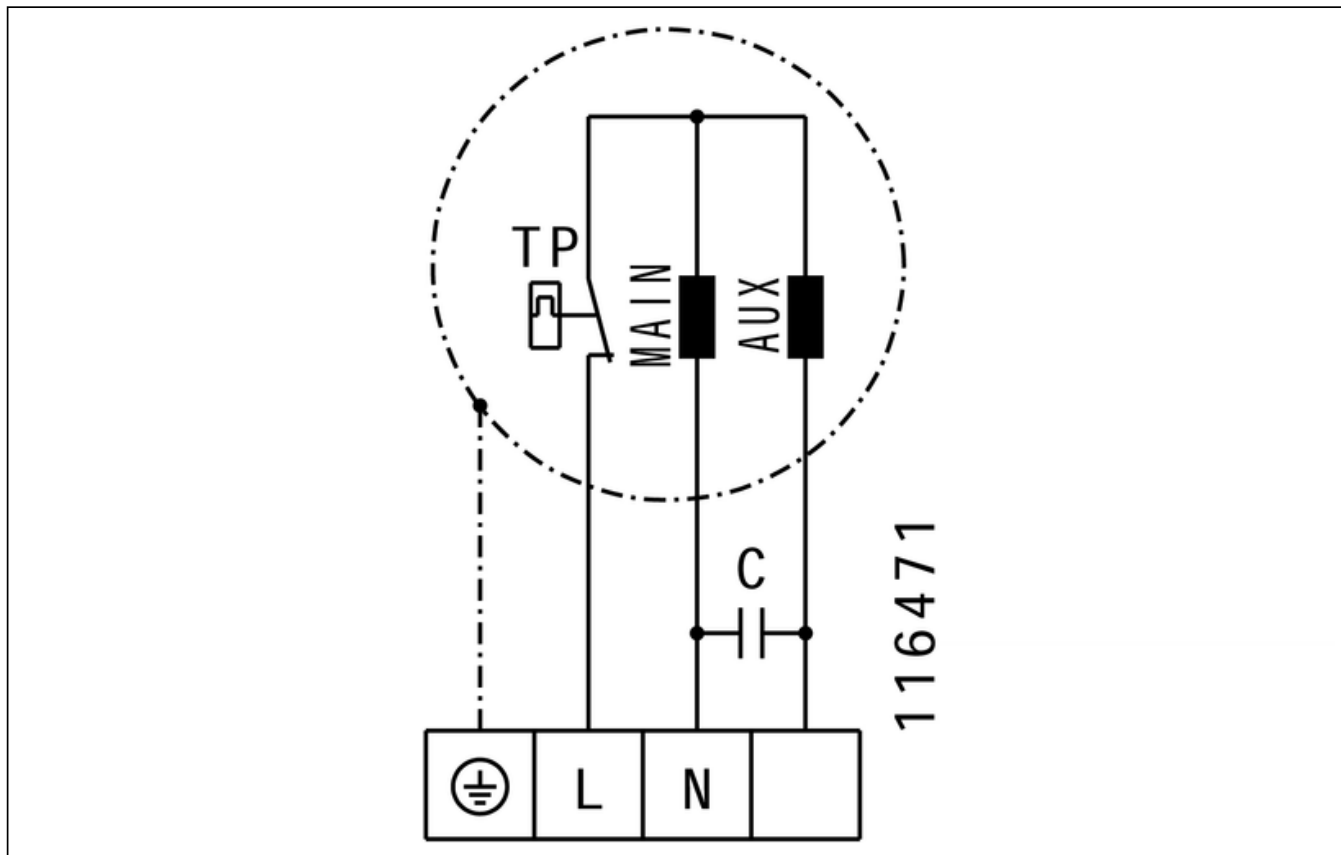


SCHALTPLÄNE / MASSZEICHNUNGEN



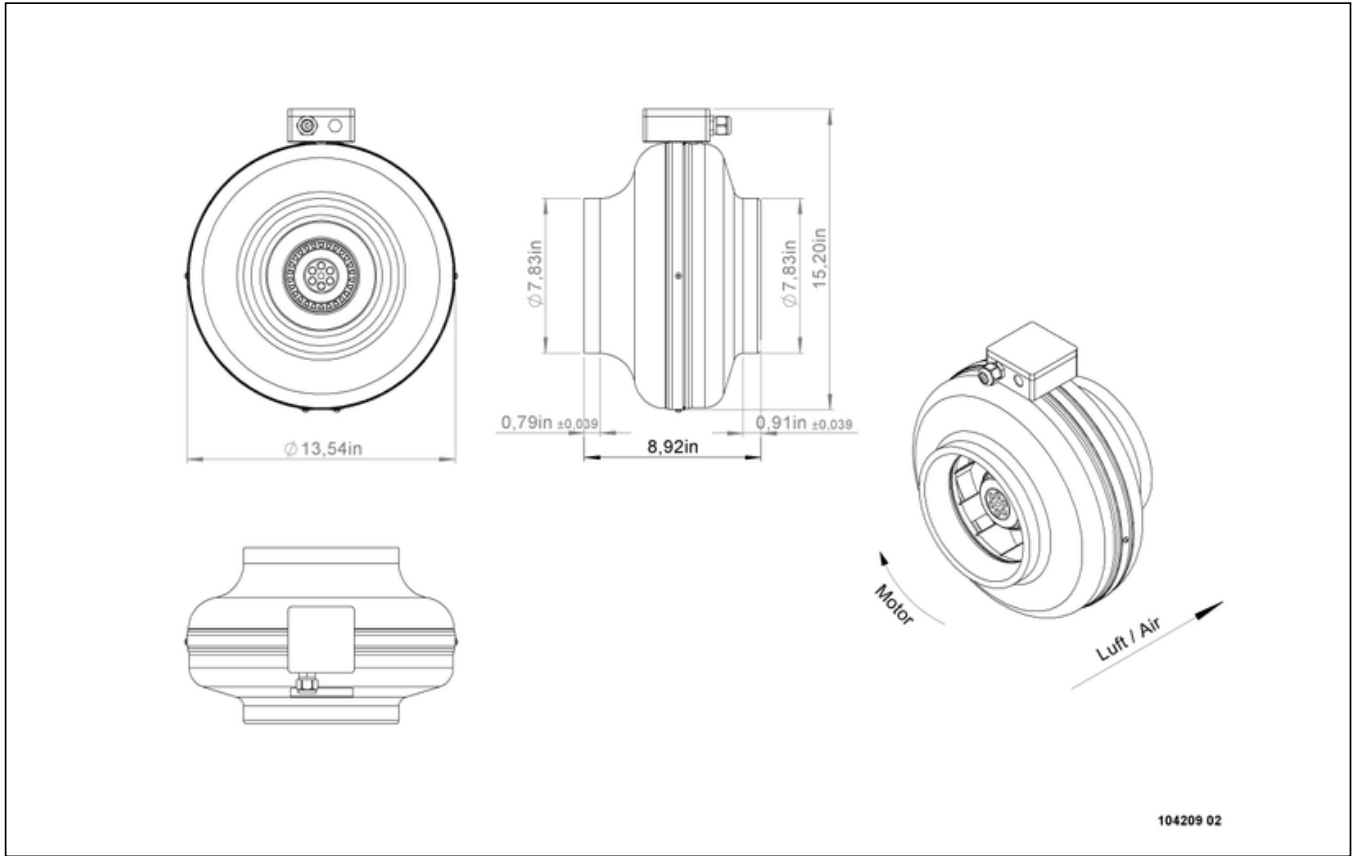
RS 200

104209



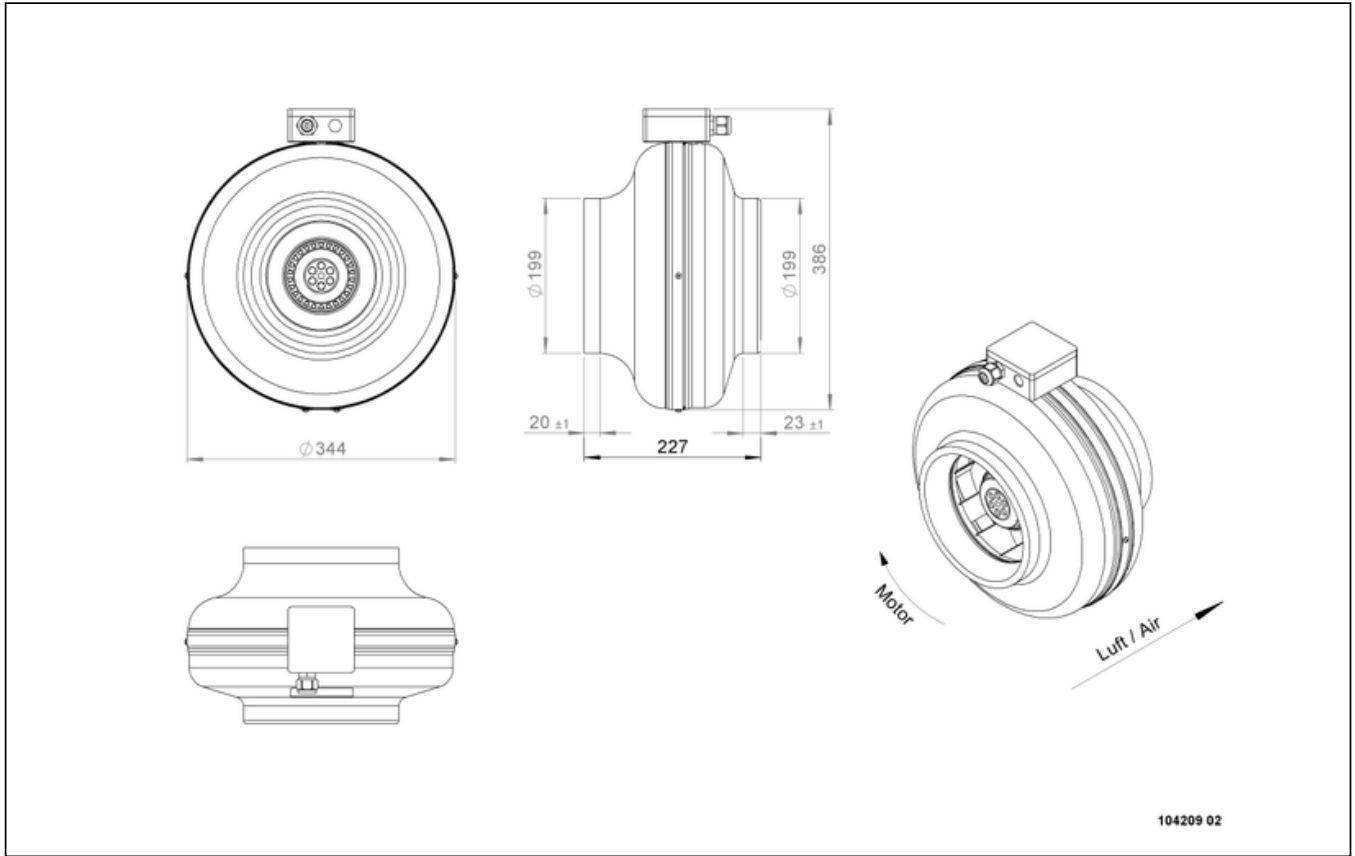
RS 200

104209



RS 200

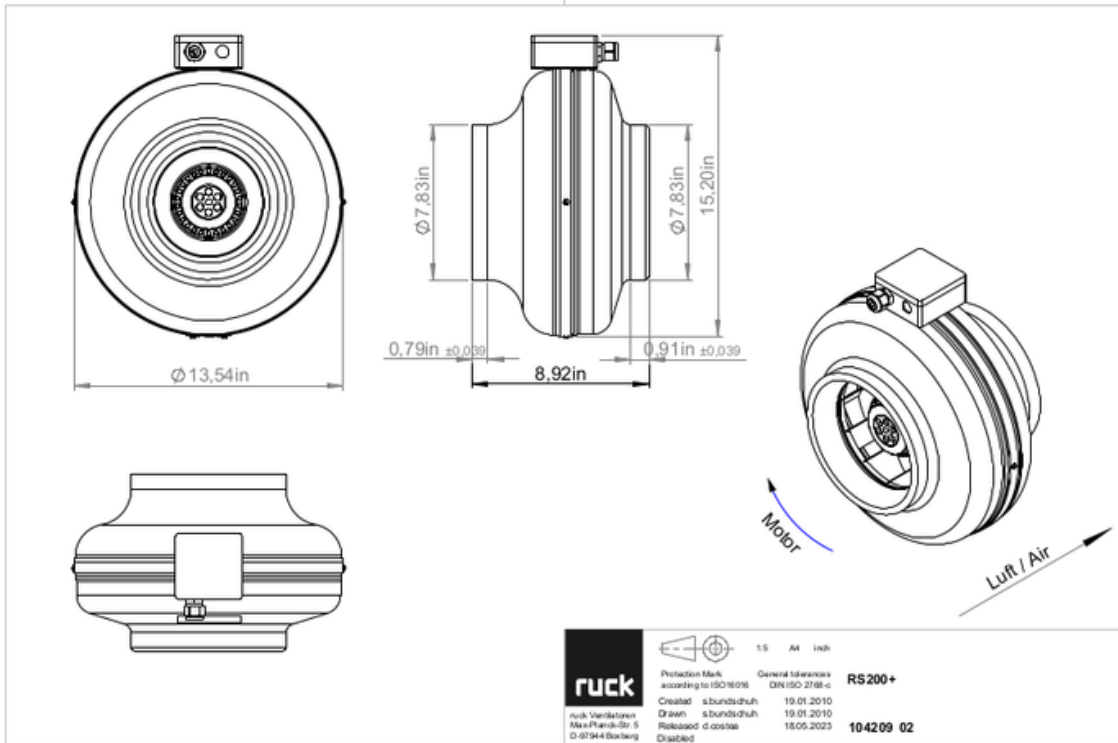
104209



RS 200

104209

ruck



zur Produktseite

RS 200

104209

MECHANICAL ACCESSORIES

VM 200 | 102650



- Fast clamps for sound decoupling and sealing
- Galvanized steel sheet, 5 mm
- Neopren gasket
- 1 Pack = 2 pieces

RSK 200 | 102662



- Back draught shutter for tube fitting
- Galvanized steel sheet housing
- Aluminum flaps

SDF 200 | 102704



- Flexible tube silencer
- Galvanized steel sheet
- Sound insulation packing 50 mm

SDS 200 | 102719



- Rigid tube silencer
- Galvanized steel sheet
- Sound insulation packing 50 mm (mineral wool)

SG 200 01 | 102898



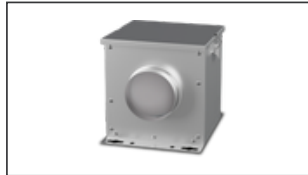
- Protection grille for tube connection
- Galvanized wire

MRS 2 | 110095



- Mounting bracket
- Galvanized steel sheet
- Includes: Mounting bracket and 2 Phillips screws (6 x 45 mm), 2 dowels (8 x 40 mm)

FV 200 | 112832



- Air filter box with mat filter ISO Coarse 45 % (G3)
- Toggle-type fastener

FT 200 | 112840



- Air filter box for pocket filter
- Toggle-type fastener
- Galvanized steel sheet housing
- Without filter

FTW 200 | 112853



- Air filter box with pocket filter M5
- Integrated warm water heating coil
- Galvanized steel sheet housing
- Toggle-type fastener

RSK 200D | 113487



- Back draught shutter for tube fitting
- Galvanized steel sheet housing
- Aluminum flaps
- Integrated gasket



zur Produktseite

RS 200

104209

ELECTRICAL ACCESSORIES

GS 01 | 102787



- Isolator switch
- $U_{max} = 400\text{ V}$, 50/60 Hz
- Switching capacity 400 V 3~ = 5,5 kW
- $I_{max} = 16\text{ A}$

MTY 1 | 103428



- Electronic controller
- Stepless
- 230 V ~, 50 Hz
- Max. ambient temperature 35 °C
- $I_{max} = 1\text{ A}$
- Surface and flush mounting

TES 0145 | 111858



- Step transformer
- 230 V ~, 50/60 Hz

ETY 15 | 115891



- Electronic controller
- Stepless speed control
- 230 V ~, 50 Hz, 2,5 A
- Max. ambient temperature 35 °C

TEE 015 | 115893



- 5-step transformer
- 230 V ~, 50/60 Hz



zur Produktseite