

RS 150 EC K 01

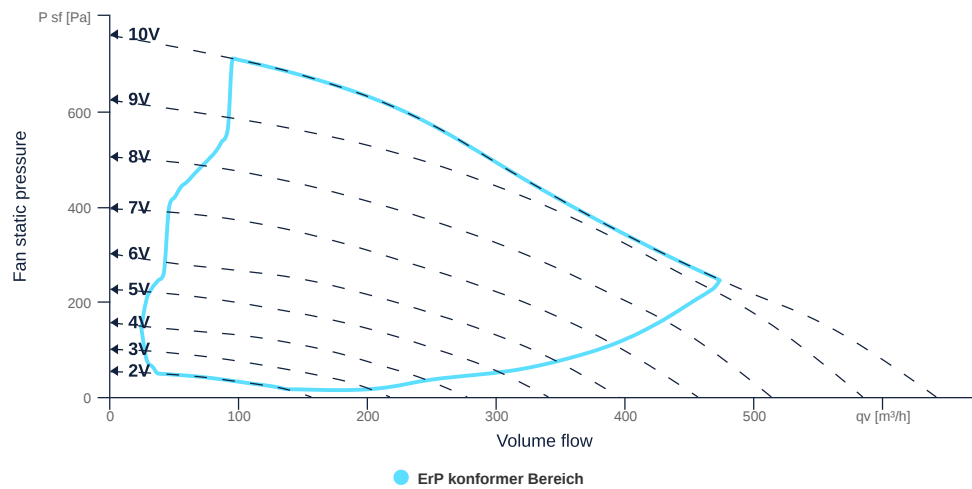
154610

- Compact radial fan
- Backward curved impeller
- Sheet steel housing, RAL 7035, powder coated
- High efficiency EC motor, steplessly controllable
- Conveying medium temperature up to 50 °C in continuous operation
- Internal electronic temperature monitoring



MAP

Name	Value	Unit
Volume flow	0	m³/h
Pressure	0	Pa



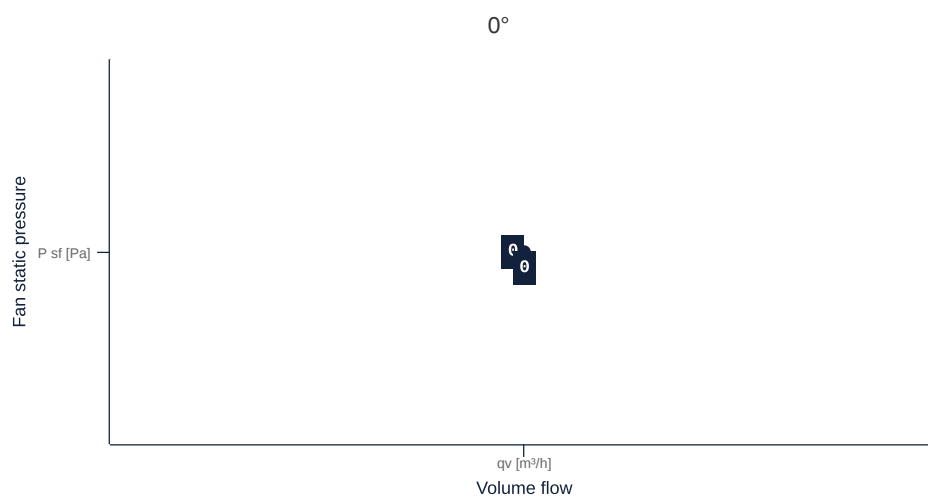
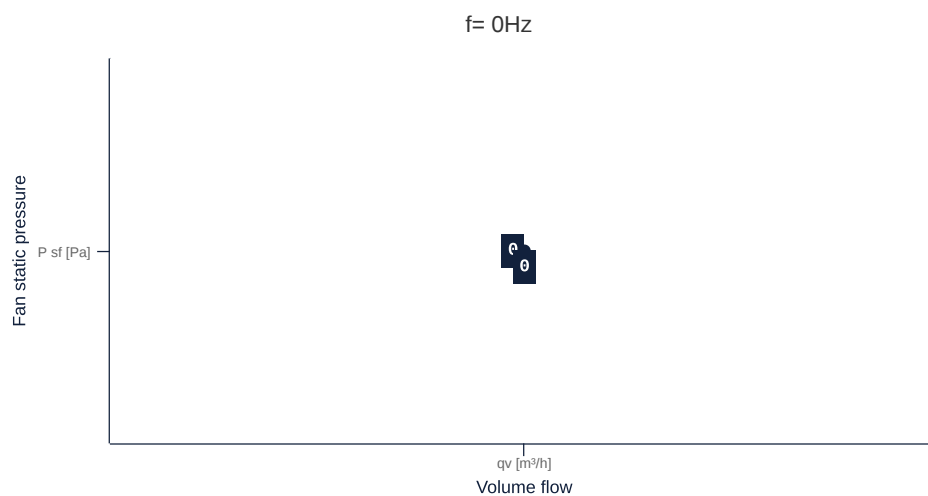
zur Produktseite

RS 150 EC K 01

154610

MAP

Name	Value	Unit
Volume flow	0	m ³ /h
Pressure	0	Pa



zur Produktseite

GENERAL DATA

Name	Value	Unit	Formula symbol
ERP conformity	Yes		
Certifications	CE, UKCA		
Duct size	-		WxH _{duct}
Pipe connection size (DN)	DN150		DN
Rated voltage (entire device)	230	V	U _{rated}
Phases (entire device)	1~		phase
Electrical protection (entire device)	6 A		fuse
Housing material	Steel		mat _{casing}
Impeller material	Plastic		mat _{impeller}
Weight	2.95	kg	m
Nominal air flow rate, nominal point m ³ /h	190.8	m ³ /h	q _{v,nom}
Nominal external pressure, static	633.5	Pa	p _{s,nom}
Fan type	Radial		Fan _{type}
Category / Installation situation	B		cat

ERP DATA (LOT 6)

Name	Value	Unit	Formula symbol
Nominal air flow rate, nominal point m ³ /s	0.05	m ³ /s	q _{v,nom}
Actual electrical input power, nominal point	0.09	kW	P _{e,nom}
Face velocity, nominal point	3	m/s	V _{nom}
Nominal external pressure, static	633.5	Pa	p _{s,nom}
supply air fan static efficiency, nominal point	44.1	%	η _{es,SUP}
Highest external air leakage rate	1.66	%	
Rating	Product is compliant 2018		

MAXIMAL DATA

Name	Value		Unit	Formula symbol
	50 Hz	60 Hz		
Max. power consumption (device)	116	116	W	P _{ed, max}
Max. operating current (device)	0.98	0.98	A	I _{ed, max}
Max. speed	3980	3980	1/min	n _{max}
Max. stat. efficiency	35.3	35.3	%	η _{es}
Max. fan efficiency	36.3	36.3	%	η _e
Max. flowrate	640	640	m ³ /h	q _{v, max}
Max. stat pressure	760	760	Pa	p _{st, max}
Max. medium temperature	50	50	°C	T _{m, max}
Max. environment temperature	50	50	°C	T _{amb, max}
Min. environment temperature	-30	-30	°C	T _{amb, min}



zur Produktseite

RS 150 EC K 01

154610

ruck

MOTOR DATA

Name	Value		Unit	Formula symbol
	50 Hz	60 Hz		
Rated frequency (device)		50		f
Motor type		EC		phase
Control type		stepless-controlled		ctrltype
Installation type		ORM (Out)		install
Rotation direction		right		rotation
Isolation class		ISO F		ISOclass
Motor-protection		TEC		protectmotor
Protection class		IP54		IPmotor
Is pole-changeable		No		polexch
Type of power supply		AC 1~		pwrsupmotor
Min. temperature	-30		°C	Tmotor, min
Cos Phi	0.560000	0.000000		cos φ
UL-Certification motor		None		ULcert

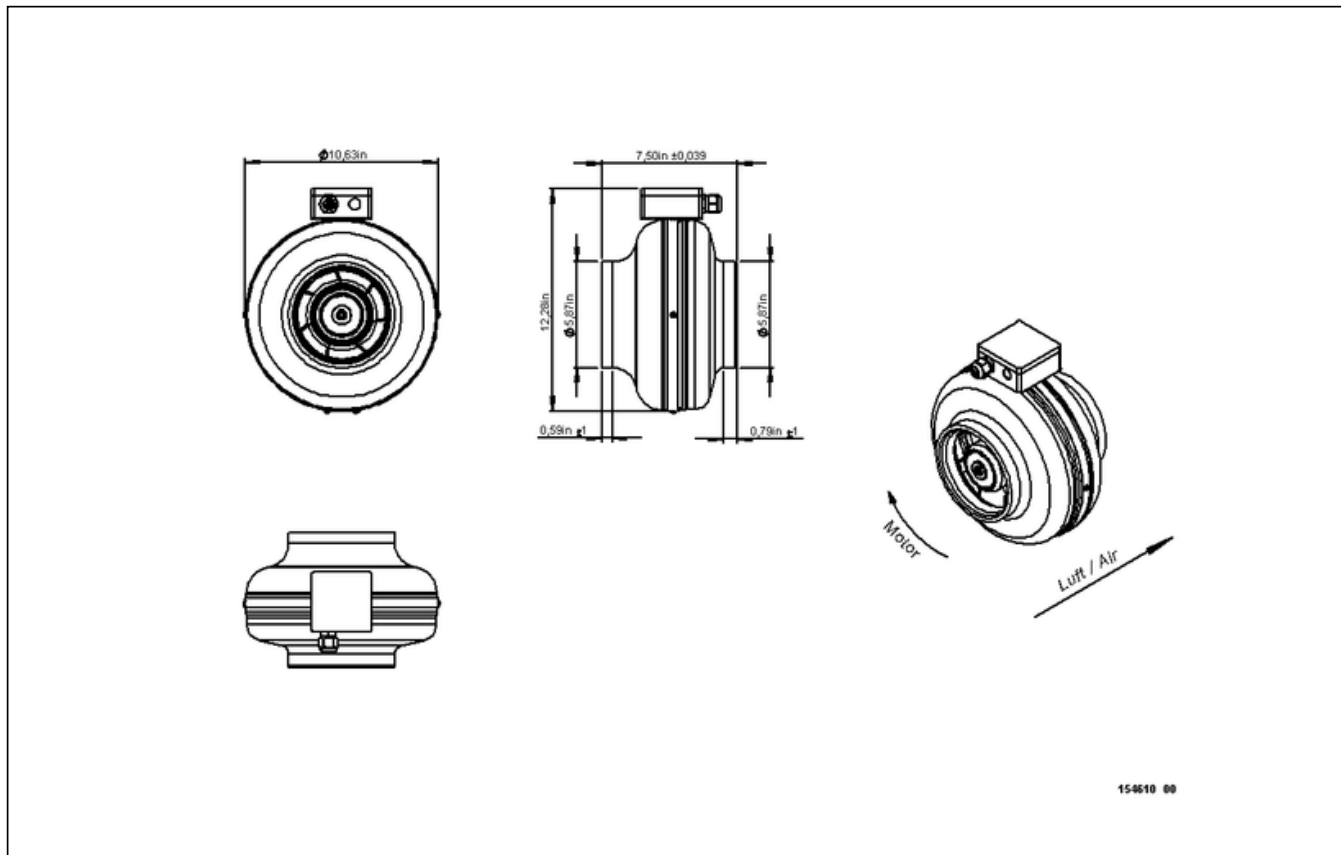


zur Produktseite

RS 150 EC K 01

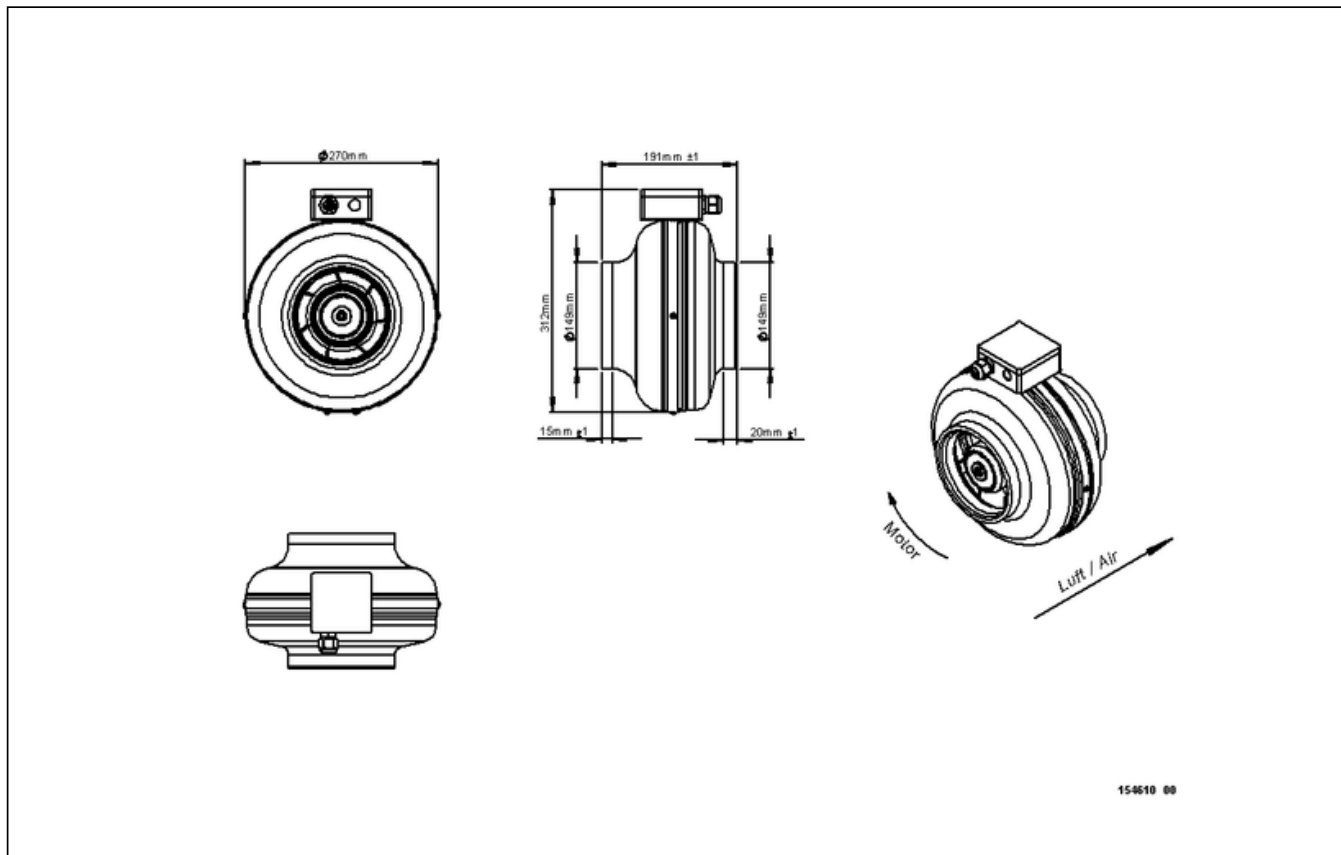
154610

SCHALTPLÄNE / MASSZEICHNUNGEN



RS 150 EC K 01

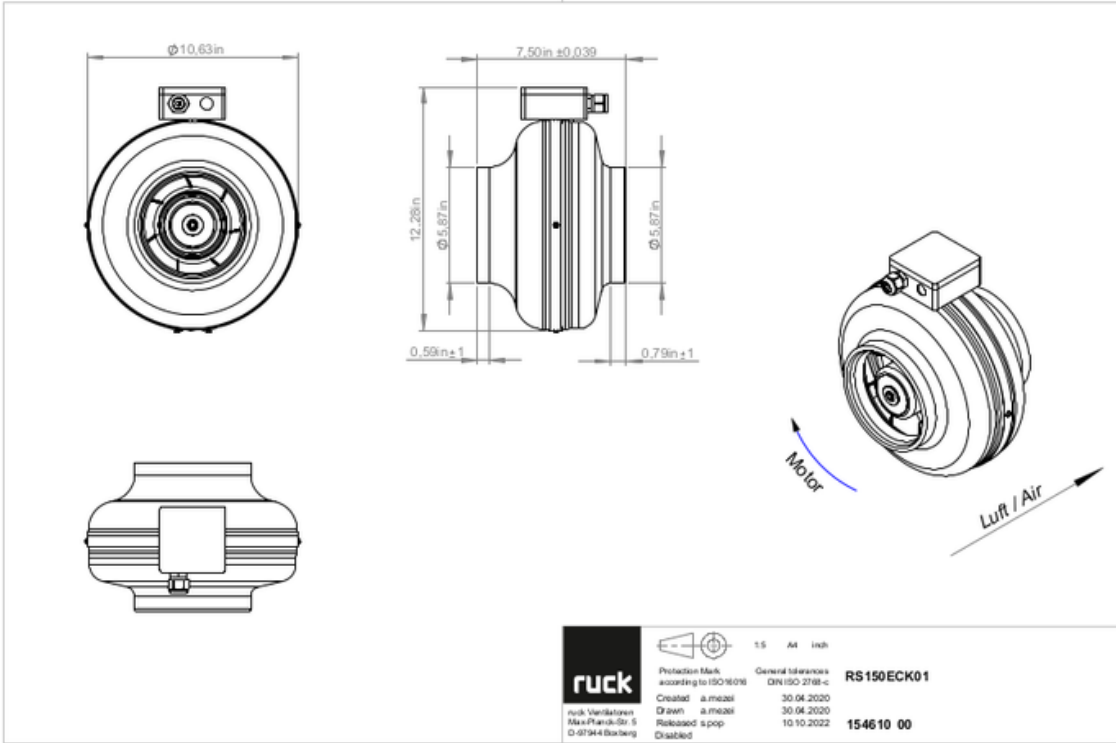
154610



zur Produktseite

RS 150 EC K 01

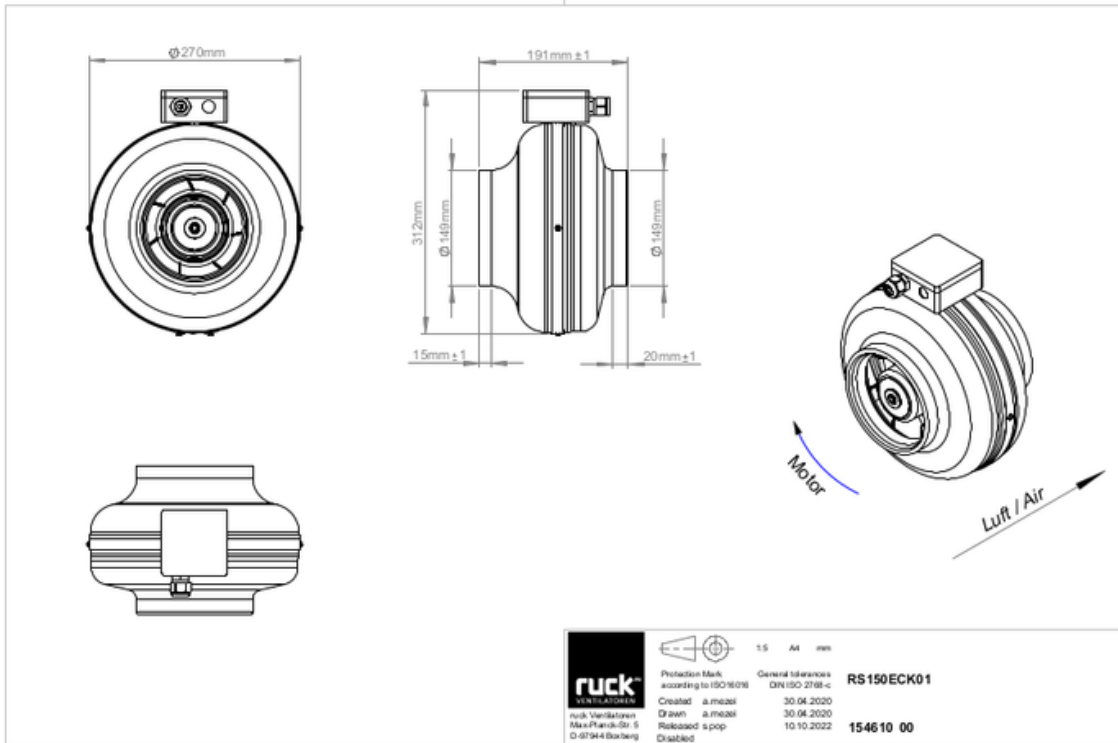
154610



zur Produktseite

RS 150 EC K 01

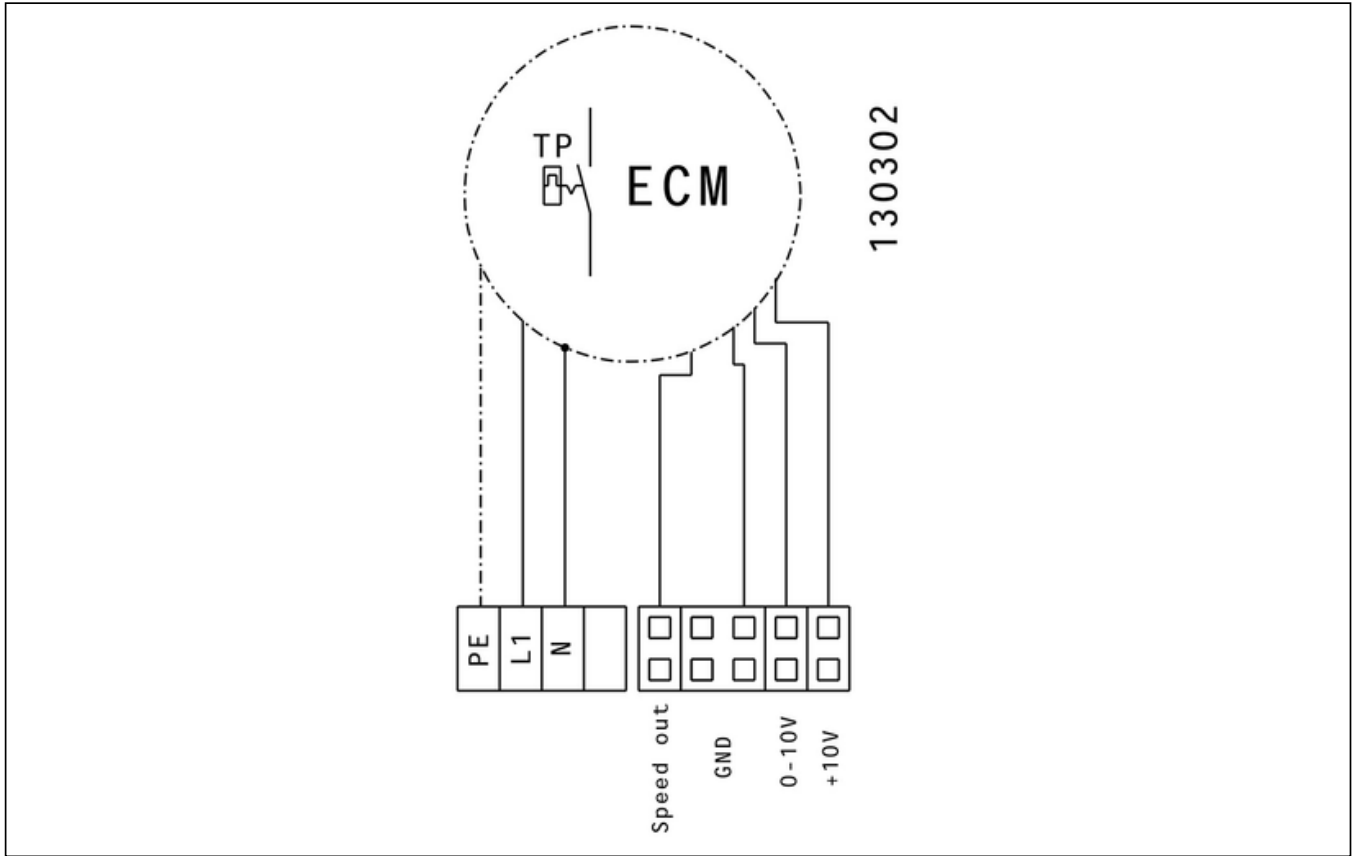
154610



zur Produktseite

RS 150 EC K 01

154610



zur Produktseite

RS 150 EC K 01

154610

MECHANICAL ACCESSORIES

VM 150 | 102648



- Fast clamps for sound decoupling and sealing
- Galvanized steel sheet, 5 mm
- Neopren gasket
- 1 Pack = 2 pieces

RSK 150 | 102660



- Back draught shutter for tube fitting
- Galvanized steel sheet housing
- Aluminum flaps

SDF 150 | 102702



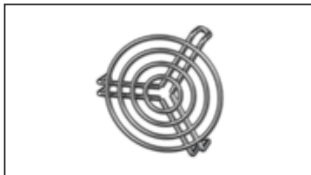
- Flexible tube silencer
- Galvanized steel sheet
- Sound insulation packing 50 mm

SDS 150 | 102714



- Rigid tube silencer
- Galvanized steel sheet
- Sound insulation packing 50 mm (mineral wool)

SG 150 01 | 102896



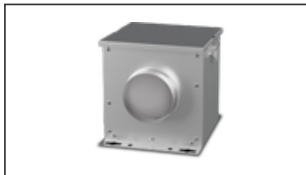
- Protection grille for tube connection
- Galvanized wire

MRS 1 | 110094



- Mounting bracket
- Galvanized steel sheet
- Includes: Mounting bracket and 2 Phillips screws (6 x 45 mm), 2 dowels (8 x 40 mm)

FV 150 | 112680



- Air filter box with mat filter ISO Coarse 45 % (G3)
- Toggle-type fastener

FT 150 | 112842



- Air filter box for pocket filter
- Toggle-type fastener
- Galvanized steel sheet housing
- Without filter

FTW 150 | 112851



- Air filter box with pocket filter M5
- Integrated warm water heating coil
- Galvanized steel sheet housing
- Toggle-type fastener

RSK 150D | 113484



- Back draught shutter for tube fitting
- Galvanized steel sheet housing
- Aluminum flaps
- Integrated gasket



zur Produktseite

ELECTRICAL ACCESSORIES

GS 03 | 107633



- Device switch
- $U_{max} = 400\text{ V}$, $I_{max} = 25\text{ A}$
- Switching capacity $400\text{ V } 3\text{-} = 5,5\text{ kW}$
- Protection class IP 55

CON P1000 | 115259



- Constant pressure control
- Actual value display possible via optional control unit
- Output 0-10 V DC + FC enable + setpoint reached
- Pressure setting by means of decade switch

MTP 20 | 128146



- Potentiometer 10 k Ω
- Switching contact 1A/250V AC - 2,5A/12V DC
- Max. ambient temperature 50 °C
- VDE

MTP 30 | 143289



- Stepped potentiometer 10 k Ω
- Step 1 + 2 settable 10 % - 100 % Vdc
- Step 3 100 % Vdc
- Supply voltage +10 Vdc

MTP 40 | 147359



- Potentiometer 10 k Ω
- Connection in terminal box
- Max. ambient temperature 50 °C
- PU: 20 pieces

SEN AIR | 148641



- Airflow and temperature transducer
- Measuring range temperature 0...+50 °C
- With adjustable switching threshold (air speed)
- Measuring range air velocity up to 20 m/s

MTP 50 | 153133



- Potentiometer with multifunction output
- 230 VAC $\pm 10\%$ / 50-60 Hz
- Selectable output: 1-10 VDC / 2-20 mA / 10-100 % PWM
- Min. and max. output value adjustable

