

# KVRI 6035 EC 31

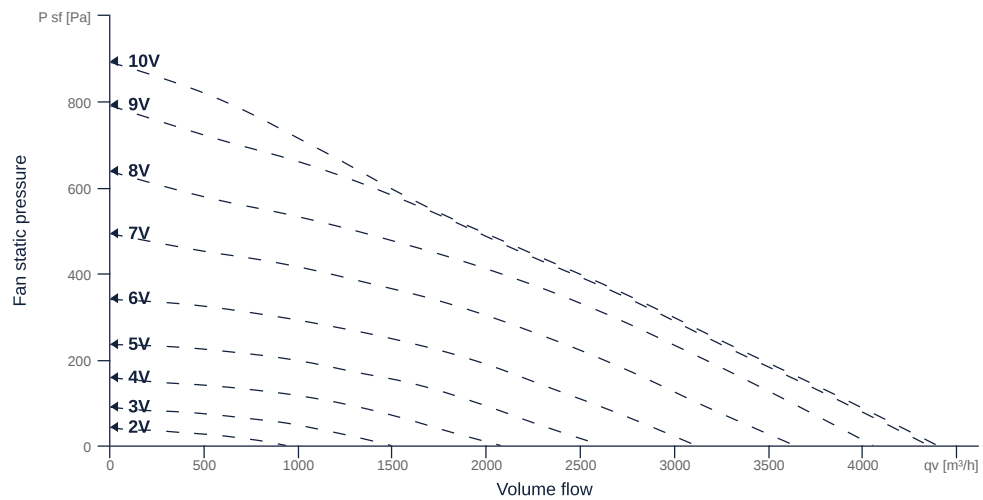
131440

- Backward curved radial impeller
- Swing out fan unit
- Galvanized sheet steel housing, double-walled, 25 mm mineral wool
- High efficiency EC motor, steplessly controllable
- Conveyed medium temperature up to 60 °C in continuous operation



## MAP

| Name        | Value | Unit |
|-------------|-------|------|
| Volume flow | 0     | m³/h |
| Pressure    | 0     | Pa   |



to the product detail page

# KVRI 6035 EC 31

131440

**ruck**

## GENERAL DATA

| Name   | Value            | Unit              | Formula symbol          |
|--|------------------|-------------------|-------------------------|
| Labeling   | CE, UKCA         |                   |                         |
| Duct size  | 600x350          |                   | WxH <sub>duct</sub>     |
| Pipe connection size (DN)                              | -                |                   | DN                      |
| Rated voltage (entire device)                          | 230              | V                 | U <sub>rated</sub>      |
| Phases (entire device)                                 | 1~               |                   | phase                   |
| Electrical protection (entire device)                  | 6 A              |                   | fuse                    |
| Housing material                                       | Galvanized steel |                   | mat <sub>casing</sub>   |
| Impeller material                                      | Plastic          |                   | mat <sub>impeller</sub> |
| IP-protection class (entire device)                    | IPX4             |                   | IP <sub>compl</sub>     |
| IP-Protection class (terminal box)                     | IP44             |                   | IP <sub>ebox</sub>      |
| Weight   | 37               | kg                | m                       |
| Nominal air flow rate, nominal point m <sup>3</sup> /h | 2347.2           | m <sup>3</sup> /h | q <sub>v,nom</sub>      |
| Nominal external pressure, static                      | 426.4            | Pa                | p <sub>s,nom</sub>      |
| Fan type   | Radial           |                   | Fan <sub>type</sub>     |
| Category / Installation situation                      | A                |                   | cat                     |

## ERP DATA (LOT 6)

| Name   | Value                     | Unit              | Formula symbol      |
|--|---------------------------|-------------------|---------------------|
| Nominal air flow rate, nominal point m <sup>3</sup> /s | 0.65                      | m <sup>3</sup> /s | q <sub>v,nom</sub>  |
| Actual electrical input power, nominal point           | 0.52                      | kW                | P <sub>e,nom</sub>  |
| Face velocity, nominal point                           | 3.1                       | m/s               | v <sub>nom</sub>    |
| Nominal external pressure, static                      | 426.4                     | Pa                | p <sub>s,nom</sub>  |
| supply air fan static efficiency, nominal point        | 65.1                      | %                 | η <sub>es,SUP</sub> |
| Enclosure sound level, nominal point                   | 68                        | dB(A)             | L <sub>WA2</sub>    |
| Rating   | Product is compliant 2018 |                   |                     |



to the product detail page

## MAXIMAL DATA

| Name                            | Value |       | Unit              | Formula symbol        |
|---------------------------------|-------|-------|-------------------|-----------------------|
|                                 | 50 Hz | 60 Hz |                   |                       |
| Max. power consumption (device) | 523   | 523   | W                 | P <sub>ed, max</sub>  |
| Max. operating current (device) | 2.42  | 2.42  | A                 | I <sub>ed, max</sub>  |
| Max. speed                      | 1910  | 1910  | 1/min             | n <sub>max</sub>      |
| Max. stat. efficiency           | 49.4  | 49.4  | %                 | η <sub>es</sub>       |
| Max. fan efficiency             | 50    | 50    | %                 | η <sub>e</sub>        |
| Max. flowrate                   | 4390  | 4390  | m <sup>3</sup> /h | Q <sub>v, max</sub>   |
| Max. stat pressure              | 890   | 890   | Pa                | p <sub>st, max</sub>  |
| Max. medium temperature         | 50    | 50    | °C                | T <sub>m, max</sub>   |
| Max. environment temperature    | 50    | 50    | °C                | T <sub>amb, max</sub> |
| Min. environment temperature    | -25   | -25   | °C                | T <sub>amb, min</sub> |

## MOTOR DATA

| Name                     | Value |                     | Unit  | Formula symbol           |
|--------------------------|-------|---------------------|-------|--------------------------|
|                          | 50 Hz | 60 Hz               |       |                          |
| Rated frequency (device) |       | 50                  |       | f                        |
| Motor type               |       | EC                  |       | phase                    |
| Control type             |       | stepless-controlled |       | ctrltype                 |
| Installation type        |       | ORM (Out)           |       | install                  |
| Rotation direction       |       | right               |       | rotation                 |
| Isolation class          |       | ISO F               |       | ISOclass                 |
| Motor-protection         |       | TEC                 |       | protectmotor             |
| Protection class         |       | IP55                |       | IP <sub>motor</sub>      |
| Is pole-changeable       |       | No                  |       | polexch                  |
| Type of power supply     |       | AC 1-               |       | pwr <sub>sup</sub> motor |
| Rated voltage            | 230   |                     | V     | U <sub>rated, f1</sub>   |
| Rated current            | 2.2   |                     | A     | I <sub>rated, f1</sub>   |
| Shaft power              | 500   |                     | W     | P <sub>out, f1</sub>     |
| Speed                    | 1500  |                     | 1/min | n <sub>f1</sub>          |
| Min. temperature         | -25   |                     | °C    | T <sub>motor, min</sub>  |
| UL-Certification motor   |       | UL recognized       |       | ULcert                   |

## SMOKE EXTRACT DATA

| Name                  | Value | Unit | Formula symbol |
|-----------------------|-------|------|----------------|
| Fire resistance class | None  |      | Fclass         |

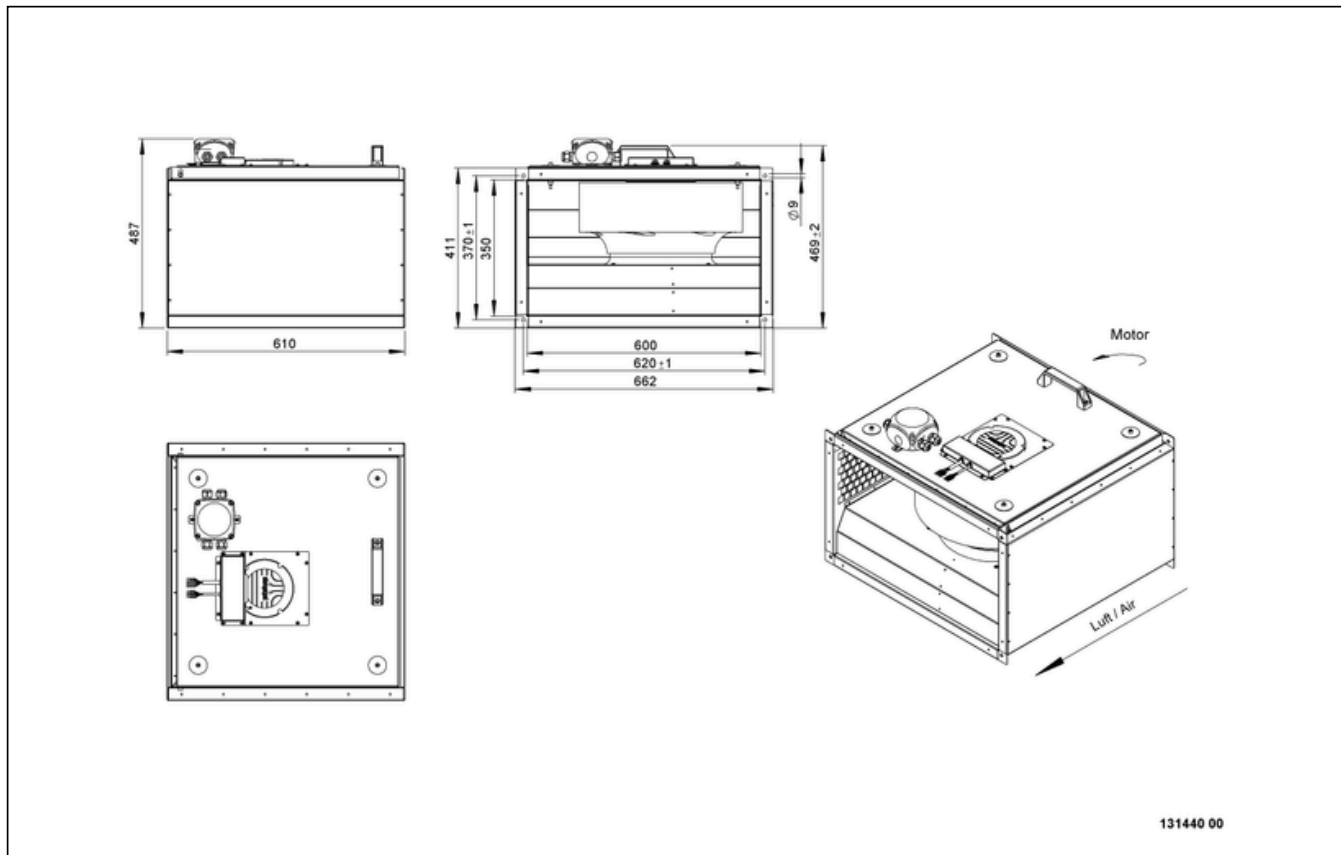


to the product detail page

# KVRI 6035 EC 31

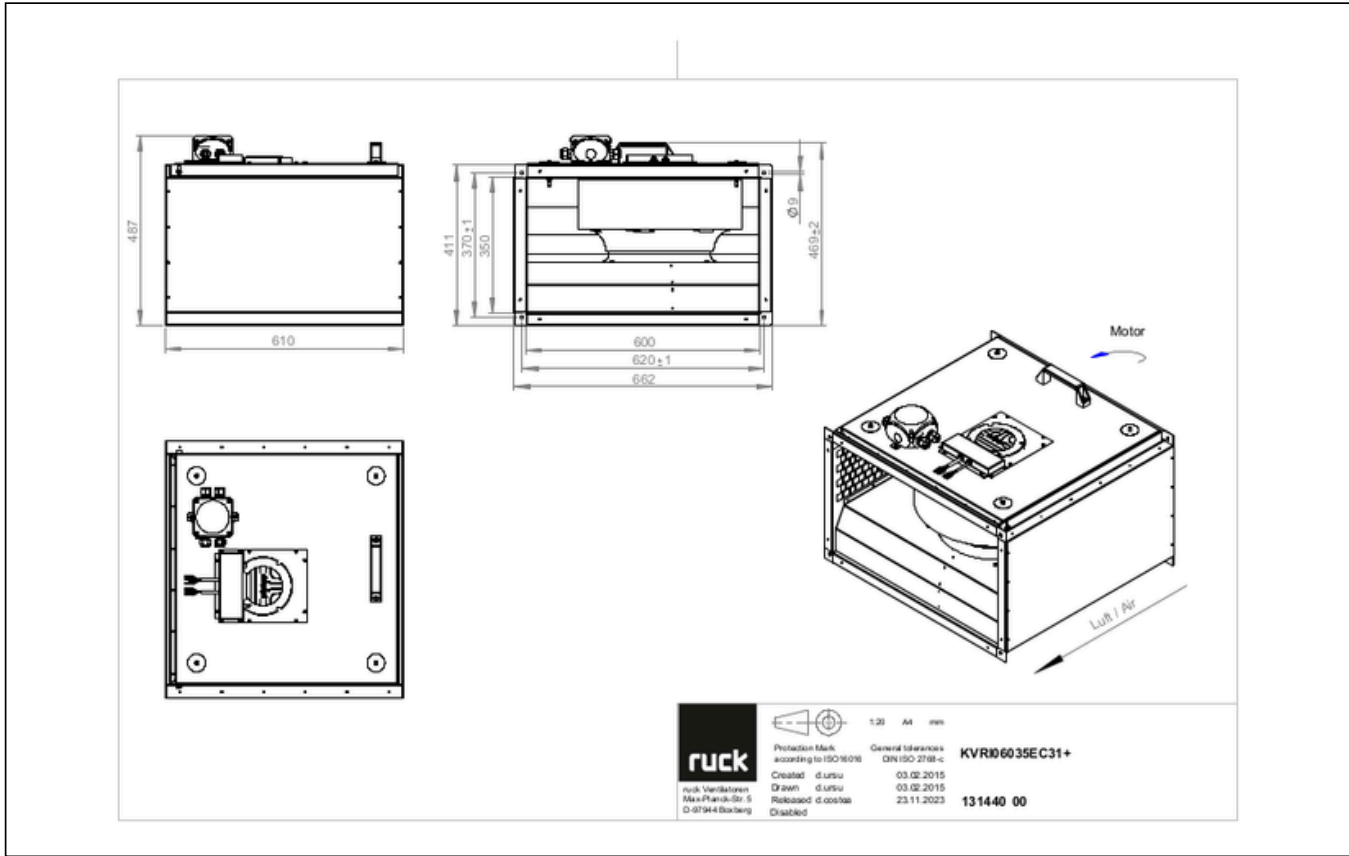
131440

## CIRCUIT DIAGRAMS / DIMENSIONAL DRAWINGS



# KVRI 6035 EC 31

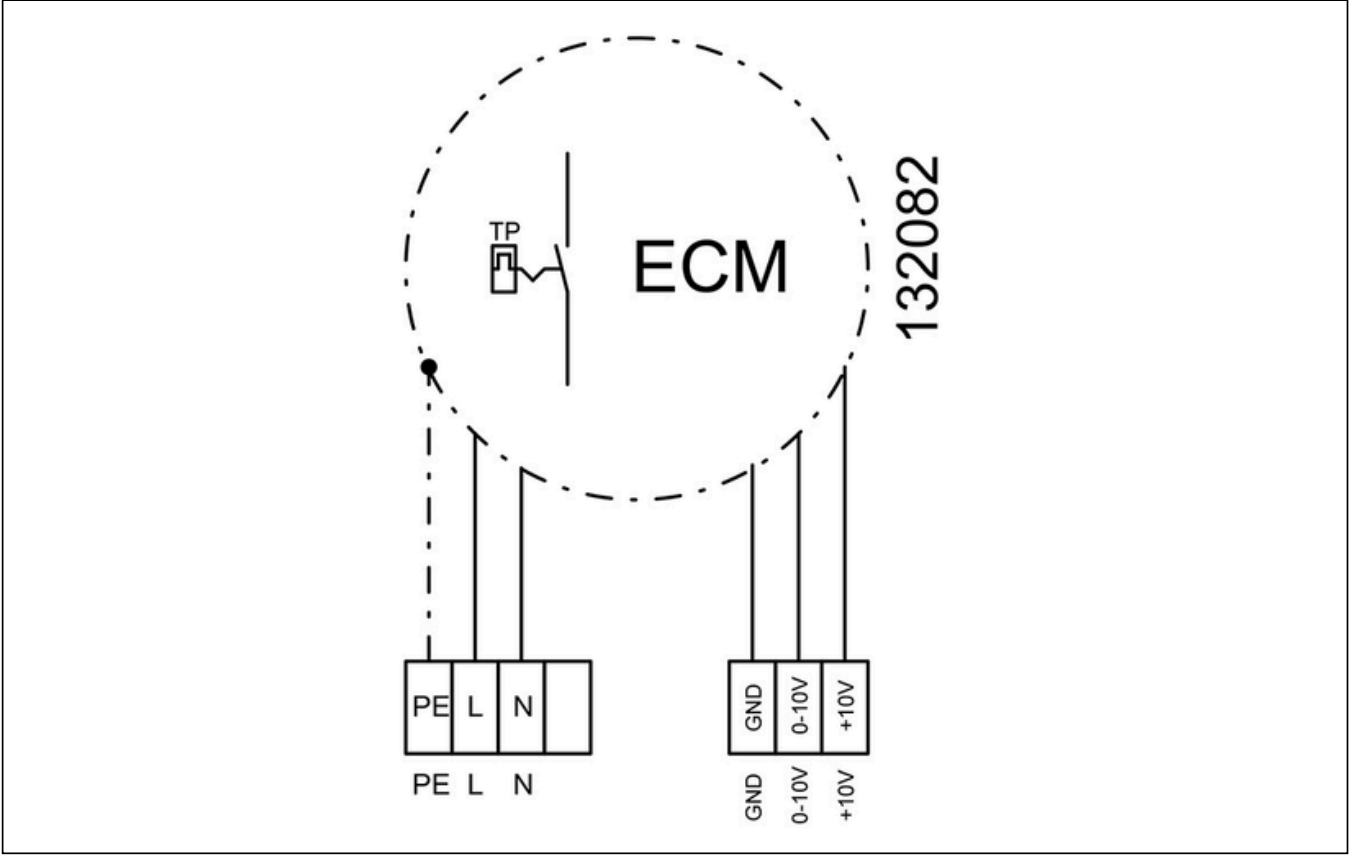
131440



to the product detail page

# KVRI 6035 EC 31

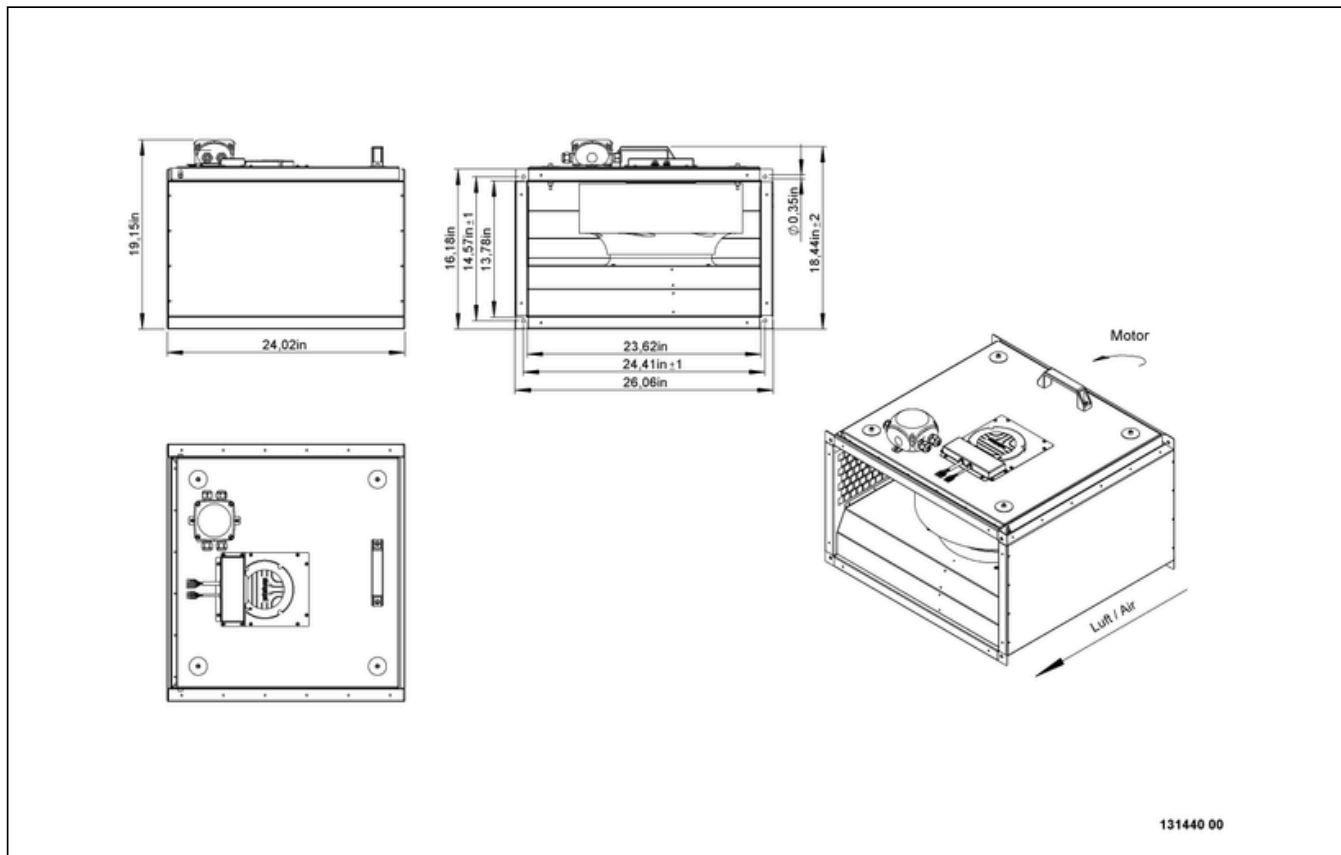
131440



to the product detail page

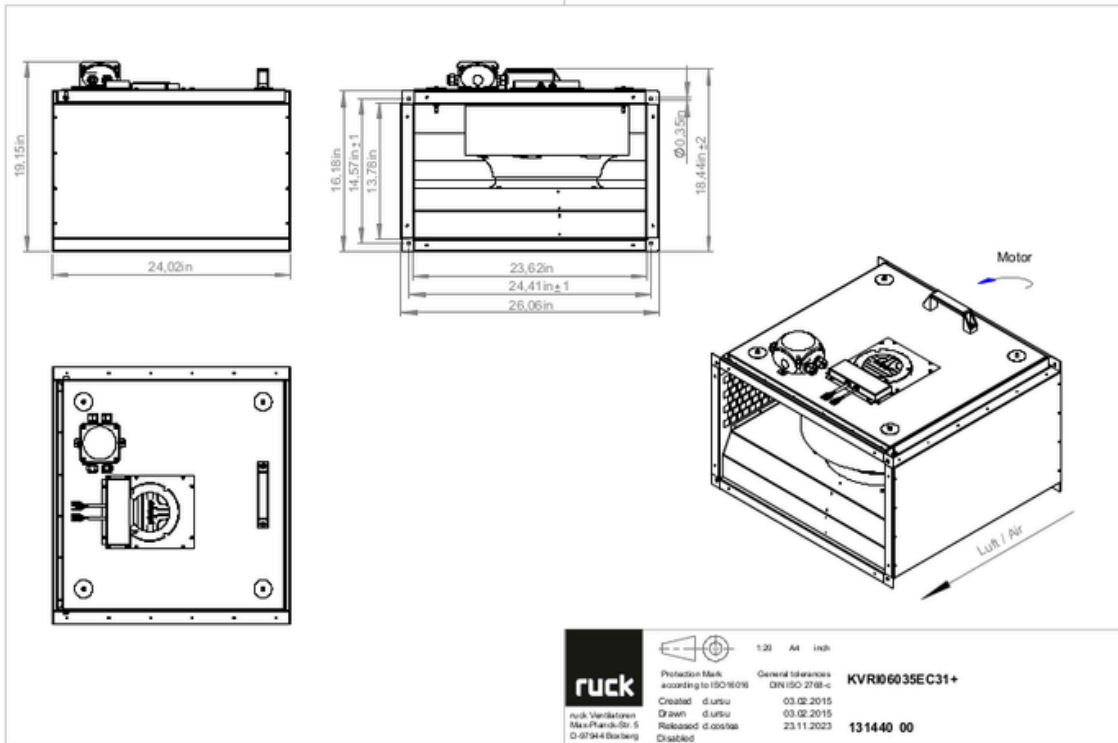
# KVRI 6035 EC 31

131440



# KVRI 6035 EC 31

131440

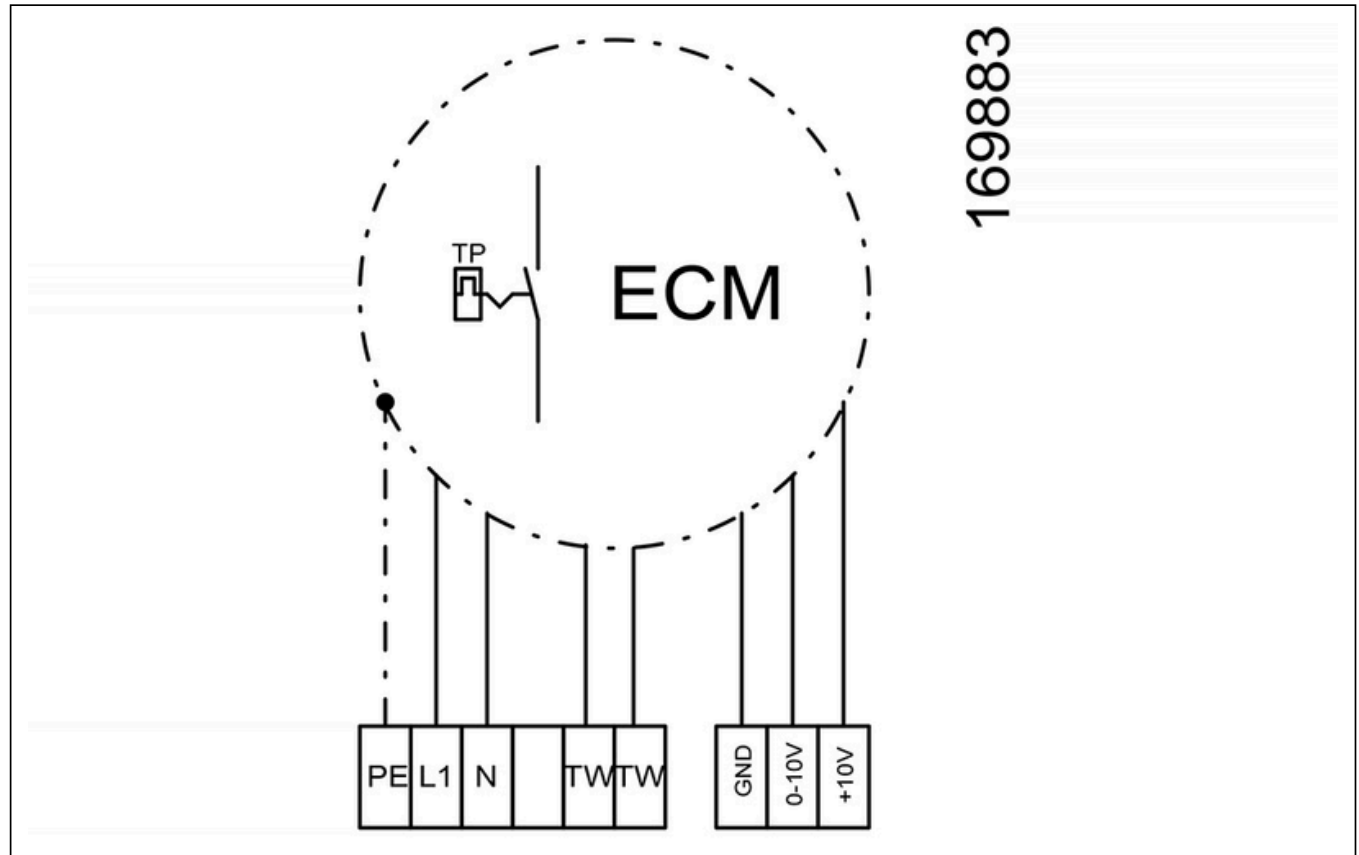


to the product detail page



# KVRI 6035 EC 31

131440



## MECHANICAL ACCESSORIES

VS 6035 | 102808



- Duct connector, flexible
- Standard profile flange P20
- Galvanized steel sheet, plastic band (PVC)
- Temperature resistant up to 70 °C

VKK 6035 | 103892



- Automatic shutter
- Plastic, weather resistant
- Temperature resistant up to 70 °C



to the product detail page

# KVRI 6035 EC 31

131440

## ELECTRICAL ACCESSORIES

GS 03 | 107633



- Device switch
- $U_{max} = 400\text{ V}$ ,  $I_{max} = 25\text{ A}$
- Switching capacity  $400\text{ V } 3\text{-} = 5,5\text{ kW}$
- Protection class IP 55

CON P1000 | 115259



- Constant pressure control
- Actual value display possible via optional control unit
- Output 0-10 V DC + FC enable + setpoint reached
- Pressure setting by means of decade switch

MTP 20 | 128146



- Potentiometer 10 k $\Omega$
- Switching contact 1A/250V AC - 2,5A/12V DC
- Max. ambient temperature 50 °C
- VDE

MTP 30 | 143289



- Stepped potentiometer 10 k $\Omega$
- Step 1 + 2 settable 10 % - 100 % Vdc
- Step 3 100 % Vdc
- Supply voltage +10 Vdc

MTP 40 | 147359



- Potentiometer 10 k $\Omega$
- Connection in terminal box
- Max. ambient temperature 50 °C
- PU: 20 pieces

MTP 50 | 153133



- Potentiometer with multifunction output
- 230 VAC  $\pm 10\%$  / 50-60 Hz
- Selectable output: 1-10 VDC / 2-20 mA / 10-100 % PWM
- Min. and max. output value adjustable



to the product detail page