

# KVRI 6035 E4 31

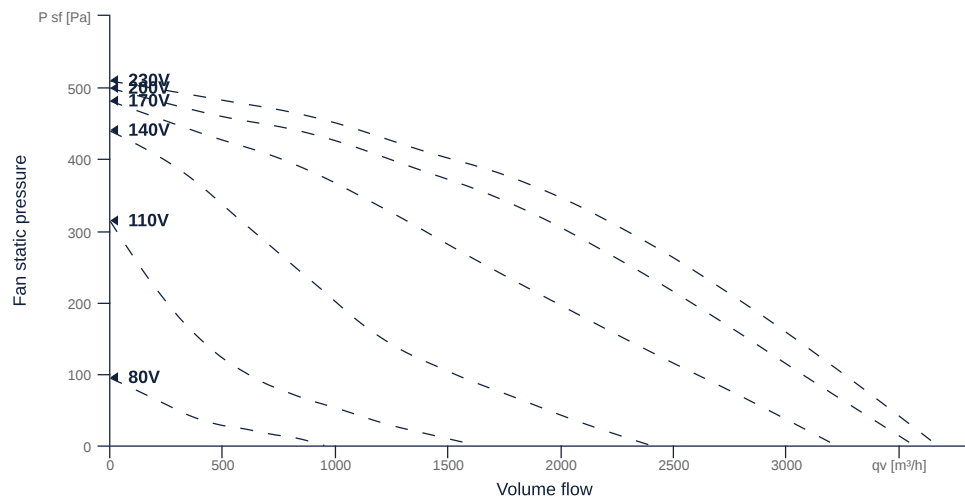
131407

- Backward curved radial impeller
- Swing out fan unit
- Galvanized sheet steel housing, double-walled, 25 mm mineral wool
- Robust single phase AC motor, steplessly controllable
- Conveyed medium temperature up to 65 °C in continuous operation



## MAP

Name	Value	Unit
Volume flow	0	m³/h
Pressure	0	Pa



to the product detail page

# KVRI 6035 E4 31

131407

**ruck**

## GENERAL DATA

Name	Value	Unit	Formula symbol
Labeling	CE, UKCA		
Duct size	600x350		WxH <sub>duct</sub>
Pipe connection size (DN)	-		DN
Rated voltage (entire device)	230	V	U <sub>rated</sub>
Phases (entire device)	1~		phase
Electrical protection (entire device)	6 A		fuse
Housing material	Galvanized steel		mat <sub>casing</sub>
Impeller material	Plastic		mat <sub>impeller</sub>
IP-protection class (entire device)	IPX4		IP <sub>compl</sub>
IP-Protection class (terminal box)	IP44		IP <sub>ebox</sub>
Weight	35.55	kg	m
Nominal air flow rate, nominal point m <sup>3</sup> /h	2577.6	m <sup>3</sup> /h	q <sub>v,nom</sub>
Nominal external pressure, static	246	Pa	p <sub>s,nom</sub>
Fan type	Radial		Fan <sub>type</sub>
Category / Installation situation	A		cat

## ERP DATA (LOT 6)

Name	Value	Unit	Formula symbol
Nominal air flow rate, nominal point m <sup>3</sup> /s	0.72	m <sup>3</sup> /s	q <sub>v,nom</sub>
Actual electrical input power, nominal point	0.44	kW	P <sub>e,nom</sub>
Face velocity, nominal point	3.41	m/s	v <sub>nom</sub>
Nominal external pressure, static	246	Pa	p <sub>s,nom</sub>
supply air fan static efficiency, nominal point	47.2	%	η <sub>es,SUP</sub>
Enclosure sound level, nominal point	64	dB(A)	L <sub>WA2</sub>
Rating	Product is compliant 2018		



## MAXIMAL DATA

Name	Value	Unit	Formula symbol
Max. power consumption (device)	440	W	P <sub>ed, max</sub>
Max. operating current (device)	2.53	A	I <sub>ed, max</sub>
Max. speed	1440	1/min	n <sub>max</sub>
Max. stat. efficiency	41.4	%	η <sub>es</sub>
Max. fan efficiency	41.8	%	η <sub>e</sub>
Max. flowrate	3670	m³/h	q <sub>v, max</sub>
Max. stat pressure	510	Pa	p <sub>sf, max</sub>
Max. medium temperature	65	°C	T <sub>m, max</sub>
Max. environment temperature	65	°C	T <sub>amb, max</sub>
Min. environment temperature	-25	°C	T <sub>amb, min</sub>
Min. voltage	80	V	U <sub>min</sub>

## MOTOR DATA

Name	Value		Unit	Formula symbol
	50 Hz	60 Hz		
Rated frequency (device)		50		f
Motor type		AC 1-		phase
Control type		stepless-controlled		ctrltype
Installation type		ORM (Out)		install
Rotation direction		right		rotation
Isolation class		ISO F		ISOclass
Motor-protection		TAE		protectmotor
Protection class		IP54		IP <sub>motor</sub>
Is pole-changeable		No		polexch
Type of power supply		AC 1-		pwr <sub>sup</sub> motor
Capacity capacitor		9	μF	C <sub>cond</sub>
Voltage capacitor		400	V	V <sub>Ucond</sub>
Number of poles (1)		4.000000		num poles <sub>w1</sub>
Rated voltage	230		V	U <sub>rated, f1</sub>
Rated current	2.33		A	I <sub>rated, f1</sub>
Speed	1340		1/min	n <sub>f1</sub>
Starting current	5.9		A	I <sub>start, f1</sub>
Min. temperature	-40		°C	T <sub>motor, min</sub>
UL-Certification motor		None		ULcert

## SMOKE EXTRACT DATA

Name	Value	Unit	Formula symbol
Fire resistance class	None		F <sub>class</sub>

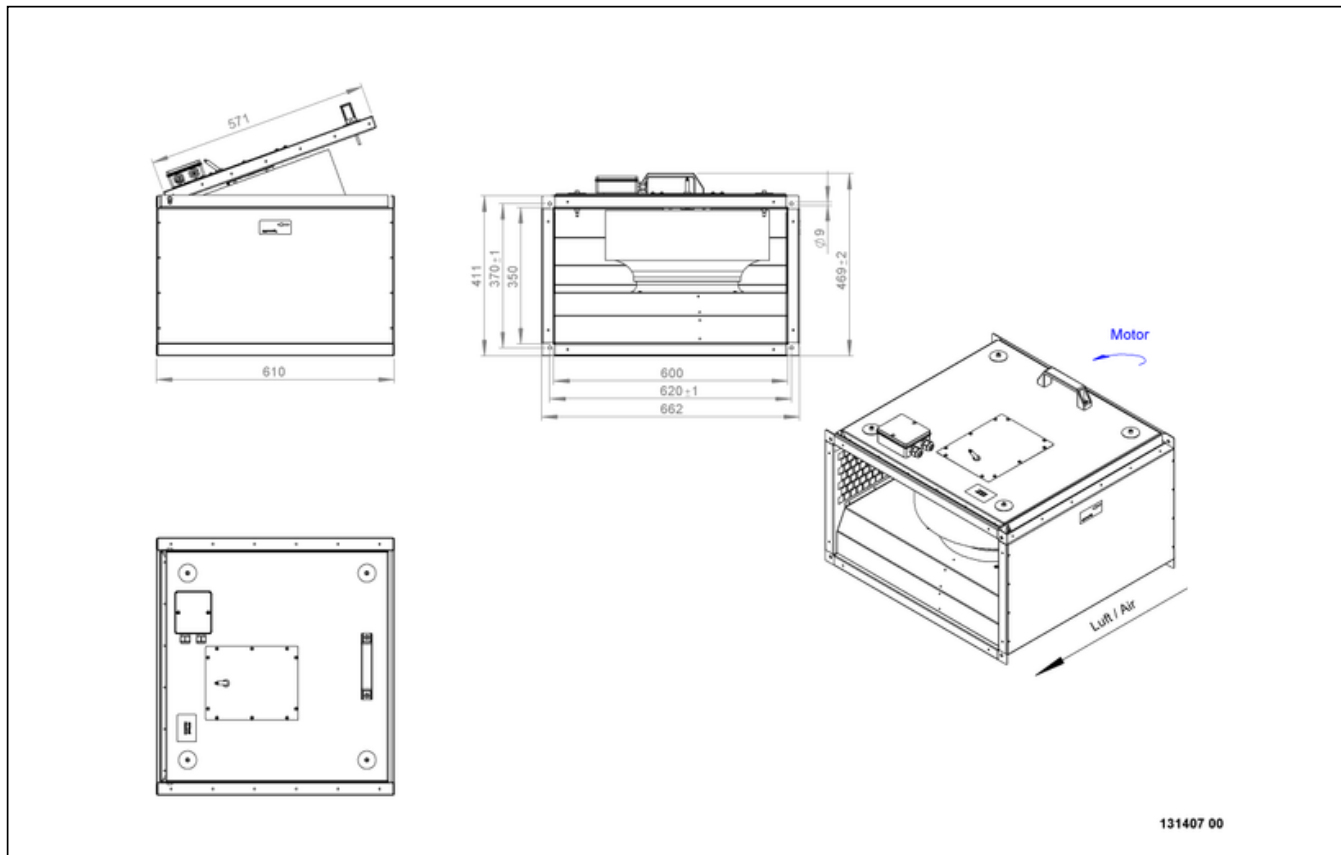


to the product detail page

# KVRI 6035 E4 31

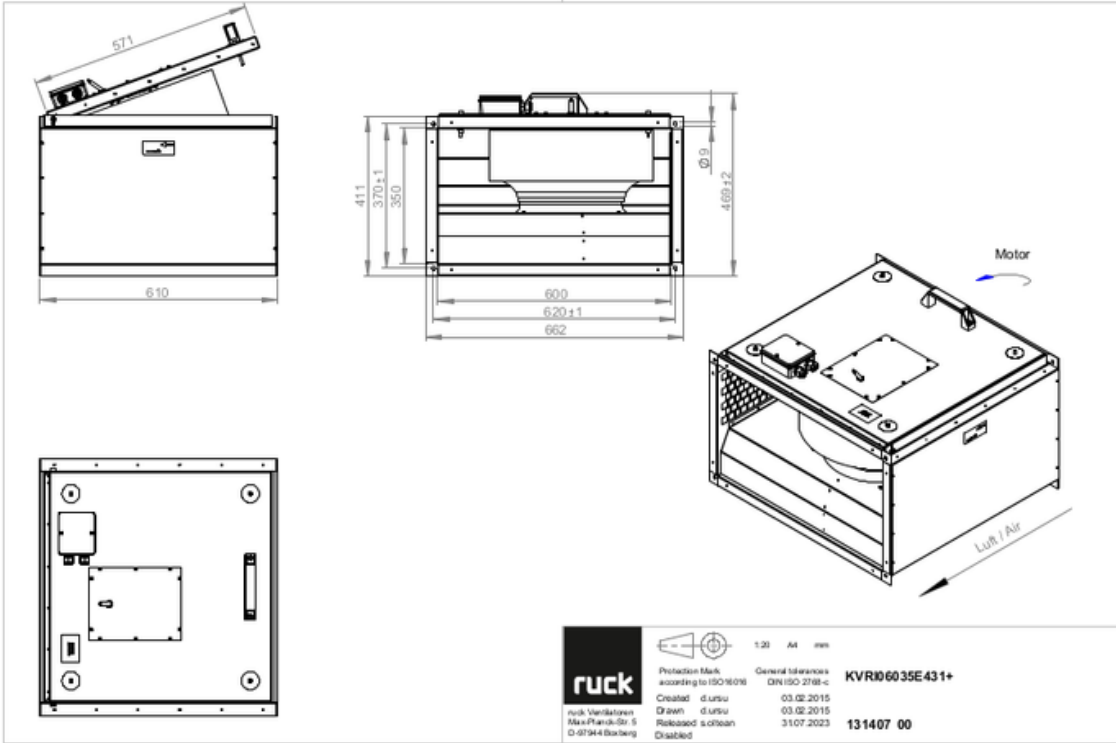
131407

## CIRCUIT DIAGRAMS / DIMENSIONAL DRAWINGS



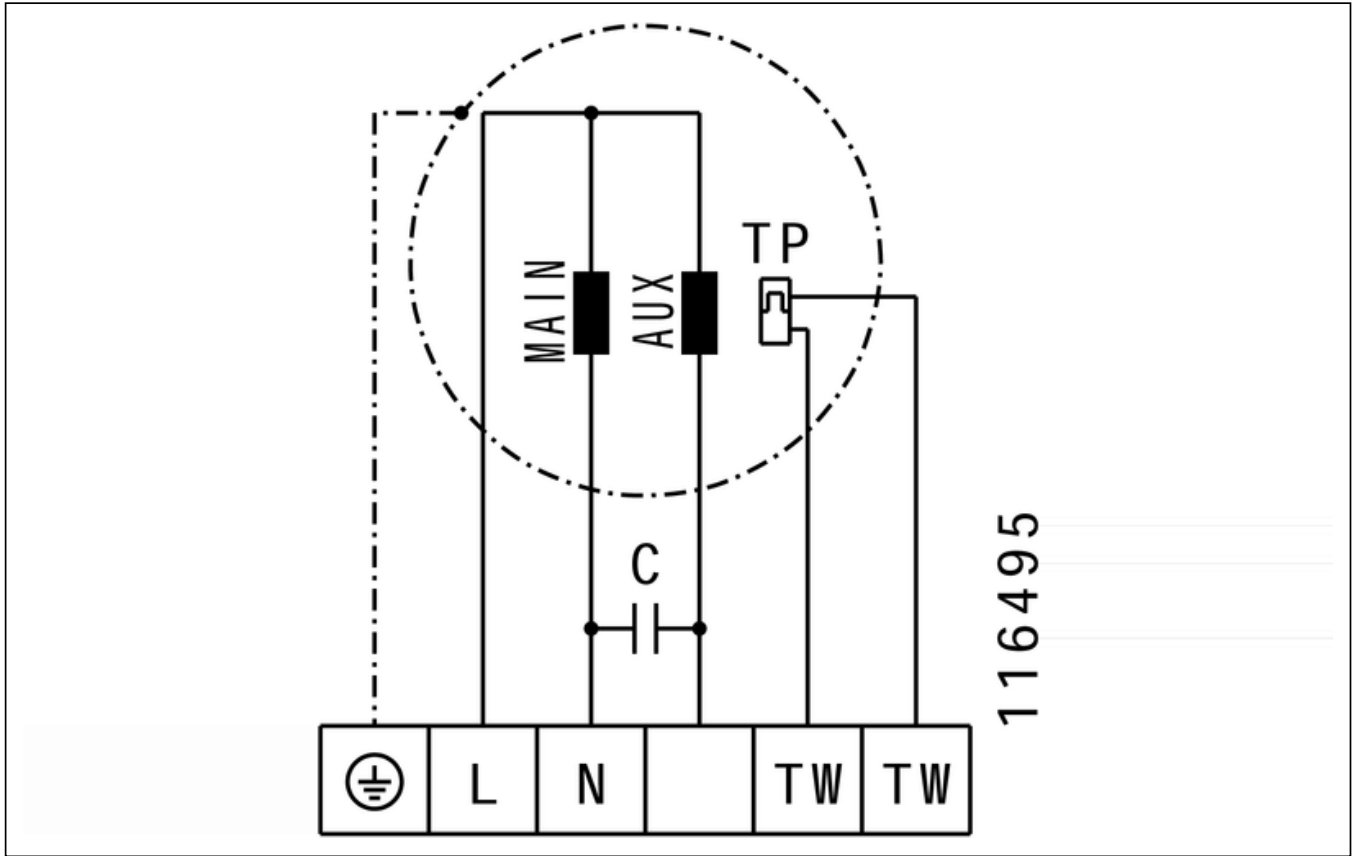
# KVRI 6035 E4 31

131407



# KVRI 6035 E4 31

131407



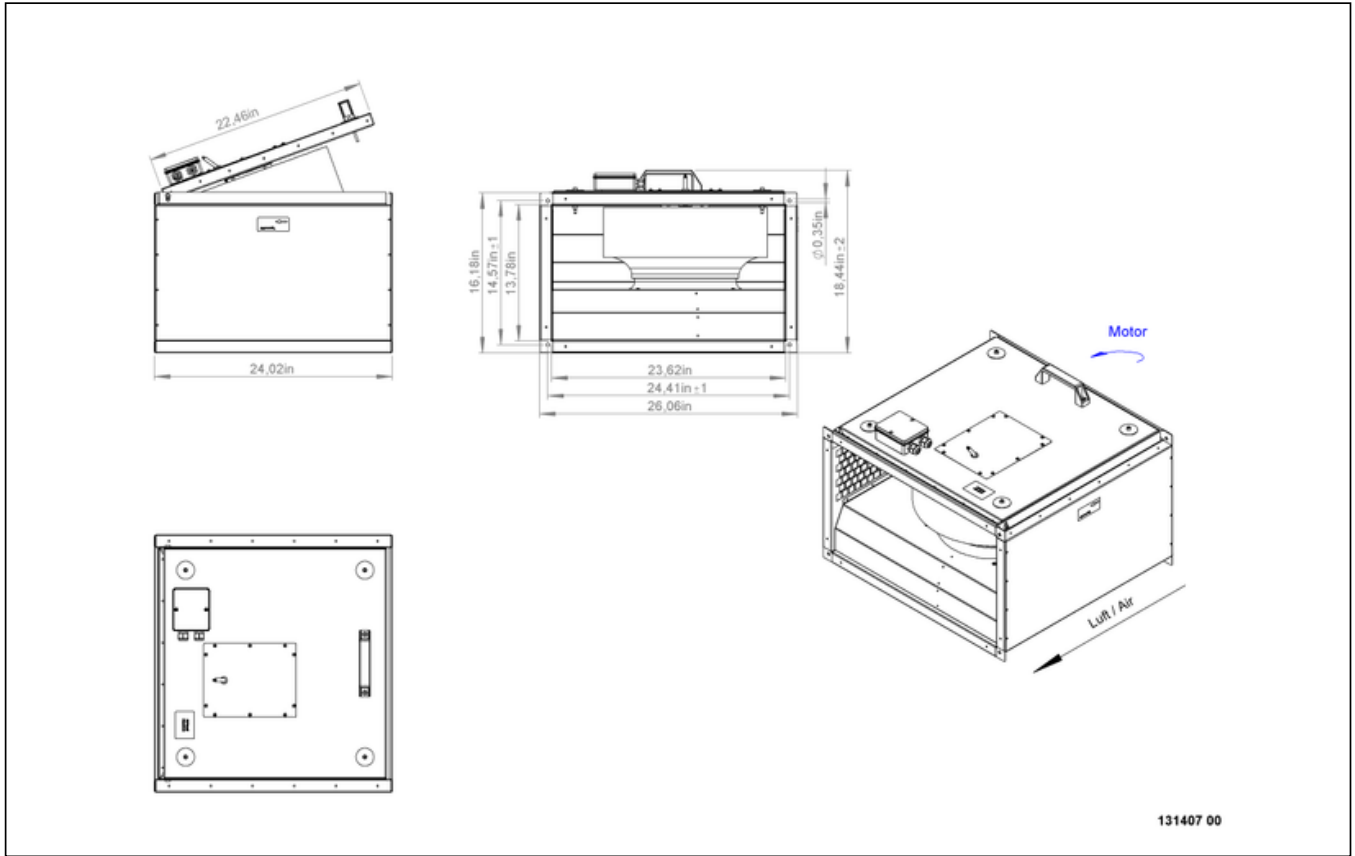
116495



to the product detail page

# KVRI 6035 E4 31

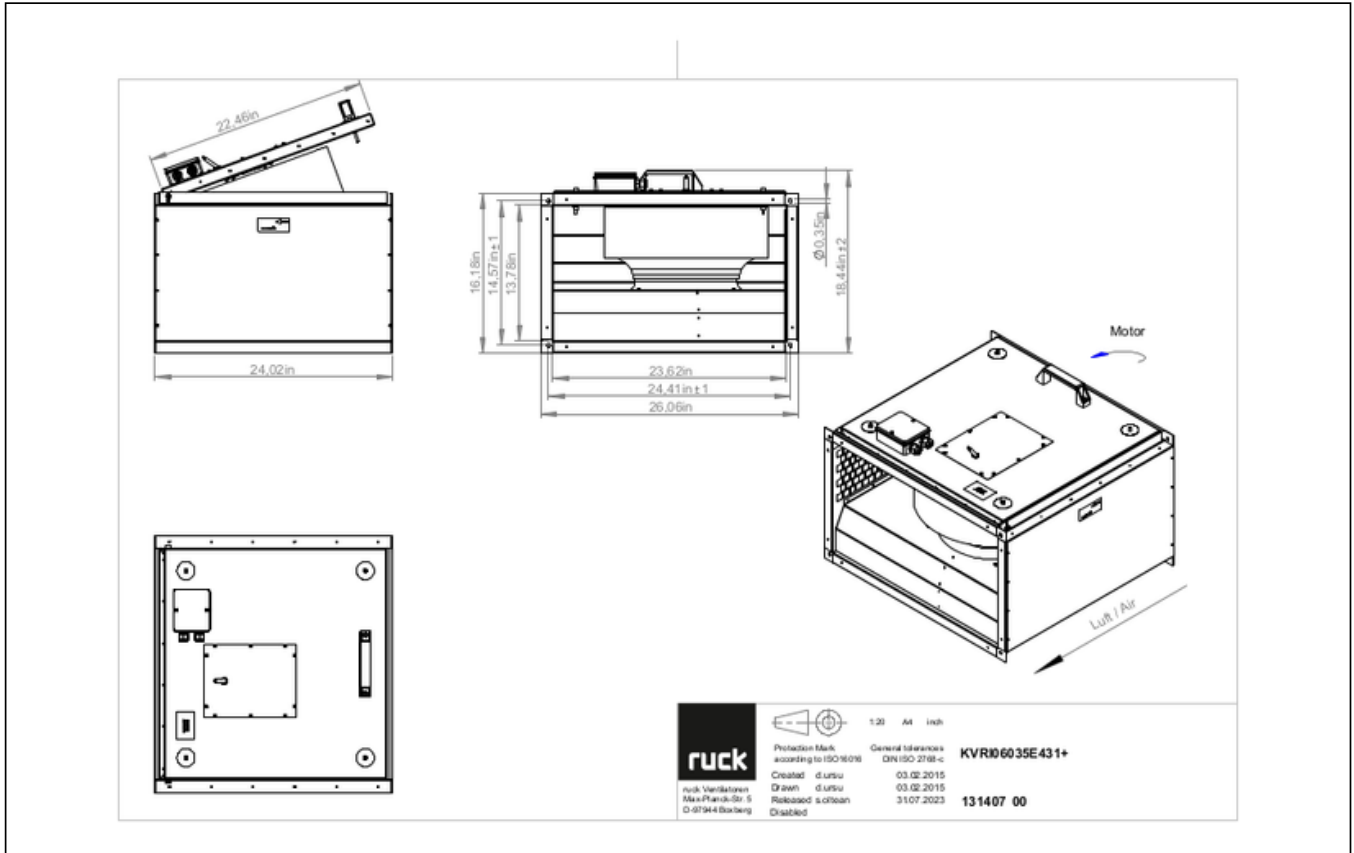
131407



to the product detail page

# KVRI 6035 E4 31

131407



## MECHANICAL ACCESSORIES

### VS 6035 | 102808



- Duct connector, flexible
- Standard profile flange P20
- Galvanized steel sheet, plastic band (PVC)
- Temperature resistant up to 70 °C

### VKK 6035 | 103892



- Automatic shutter
- Plastic, weather resistant
- Temperature resistant up to 70 °C



to the product detail page



# KVRI 6035 E4 31

131407

## ELECTRICAL ACCESSORIES

GS 01 | 102787



- Isolator switch
- $U_{max} = 400 \text{ V}$ , 50/60 Hz
- Switching capacity 400 V 3~ = 5,5 kW
- $I_{max} = 16 \text{ A}$

TEM 035 | 103502



- 5-step transformer
- 230 V, 50/60 Hz, 3,5 A
- Output voltage: 230-190-170-140-110-80-0 V
- Protection class IP 54

TES 035 02 | 146195



- 5-step transformer
- 230 V, 50/60 Hz, 3,5 A
- Without housing, control cabinet installation
- Protection class IP 20



to the product detail page