

KVRI 6035 E4 30

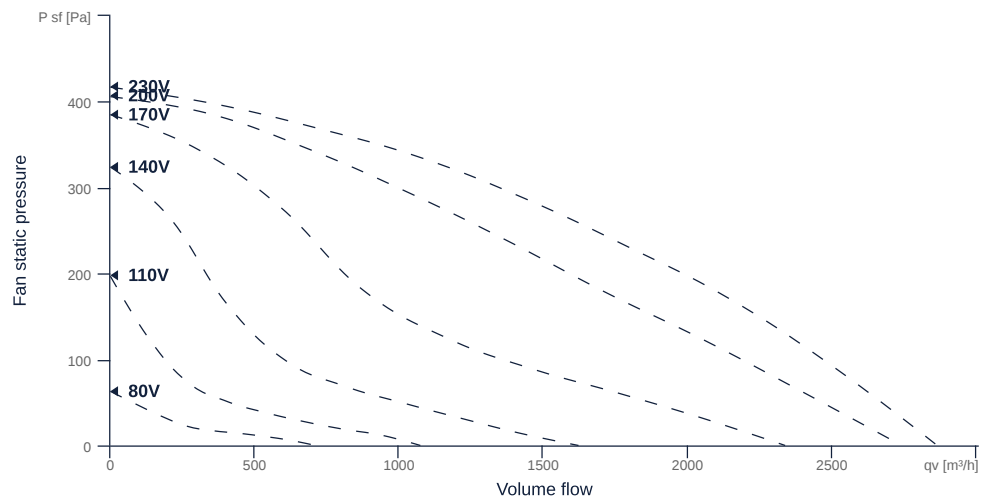
131401

- Backward curved radial impeller
- Swing out fan unit
- Galvanized sheet steel housing, double-walled, 25 mm mineral wool
- Robust single phase AC motor, steplessly controllable
- Conveyed medium temperature up to 65 °C in continuous operation



MAP

Name	Value	Unit
Volume flow	0	m ³ /h
Pressure	0	Pa



to the product detail page

GENERAL DATA

Name	Value	Unit	Formula symbol
Labeling	CE, UKCA		
Duct size	600x350		WxH _{duct}
Pipe connection size (DN)	-		DN
Rated voltage (entire device)	230	V	U _{rated}
Phases (entire device)	1~		phase
Electrical protection (entire device)	6 A		fuse
Housing material	Galvanized steel		mat _{casing}
Impeller material	Plastic		mat _{impeller}
IP-protection class (entire device)	IPX4		IP _{compl}
IP-Protection class (terminal box)	IP44		IP _{ebox}
Weight	36	kg	m
Nominal air flow rate, nominal point m ³ /h	2314.8	m ³ /h	q _{v,nom}
Nominal external pressure, static	134	Pa	p _{s,nom}
Fan type	Radial		Fan _{type}
Category / Installation situation	A		cat

ERP DATA (LOT 6)

Name	Value	Unit	Formula symbol
Nominal air flow rate, nominal point m ³ /s	0.64	m ³ /s	q _{v,nom}
Actual electrical input power, nominal point	0.24	kW	P _{e,nom}
Face velocity, nominal point	3.06	m/s	v _{nom}
Nominal external pressure, static	134	Pa	p _{s,nom}
supply air fan static efficiency, nominal point	45.7	%	η _{es,SUP}
Enclosure sound level, nominal point	58	dB(A)	L _{WA2}
Rating	Product is compliant 2018		



to the product detail page

MAXIMAL DATA

Name	Value	Unit	Formula symbol
Max. power consumption (device)	248	W	P _{ed, max}
Max. operating current (device)	1.26	A	I _{ed, max}
Max. speed	1450	1/min	n _{max}
Max. stat. efficiency	45.4	%	η _{es}
Max. fan efficiency	45.7	%	η _e
Max. flowrate	2865	m ³ /h	q _{v, max}
Max. stat pressure	420	Pa	p _{sf, max}
Max. medium temperature	40	°C	T _{m, max}
Max. environment temperature	40	°C	T _{amb, max}
Min. environment temperature	-25	°C	T _{amb, min}
Min. voltage	80	V	U _{min}

MOTOR DATA

Name	Value		Unit	Formula symbol
	50 Hz	60 Hz		
Rated frequency (device)		50		f
Motor type		AC 1-		phase
Control type		stepless-controlled		ctrltype
Installation type		ORM (Out)		install
Rotation direction		right		rotation
Isolation class		ISO F		ISOclass
Motor-protection		TAI		protectmotor
Protection class		IP44		IP _{motor}
Is pole-changeable		No		polexch
Type of power supply		AC 1-		pwr _{sup} motor
Capacity capacitor		6	μF	C _{cond}
Voltage capacitor		400	V	V _{Ucond}
Number of poles (1)		4.000000		num poles _{w1}
Rated voltage	230		V	U _{rated, f1}
Rated current	1.18		A	I _{rated, f1}
Speed	1330		1/min	n _{f1}
Starting current	2.2		A	I _{start, f1}
Min. temperature	-25		°C	T _{motor, min}
UL-Certification motor		None		ULcert

SMOKE EXTRACT DATA

Name	Value	Unit	Formula symbol
Fire resistance class	None		F _{class}

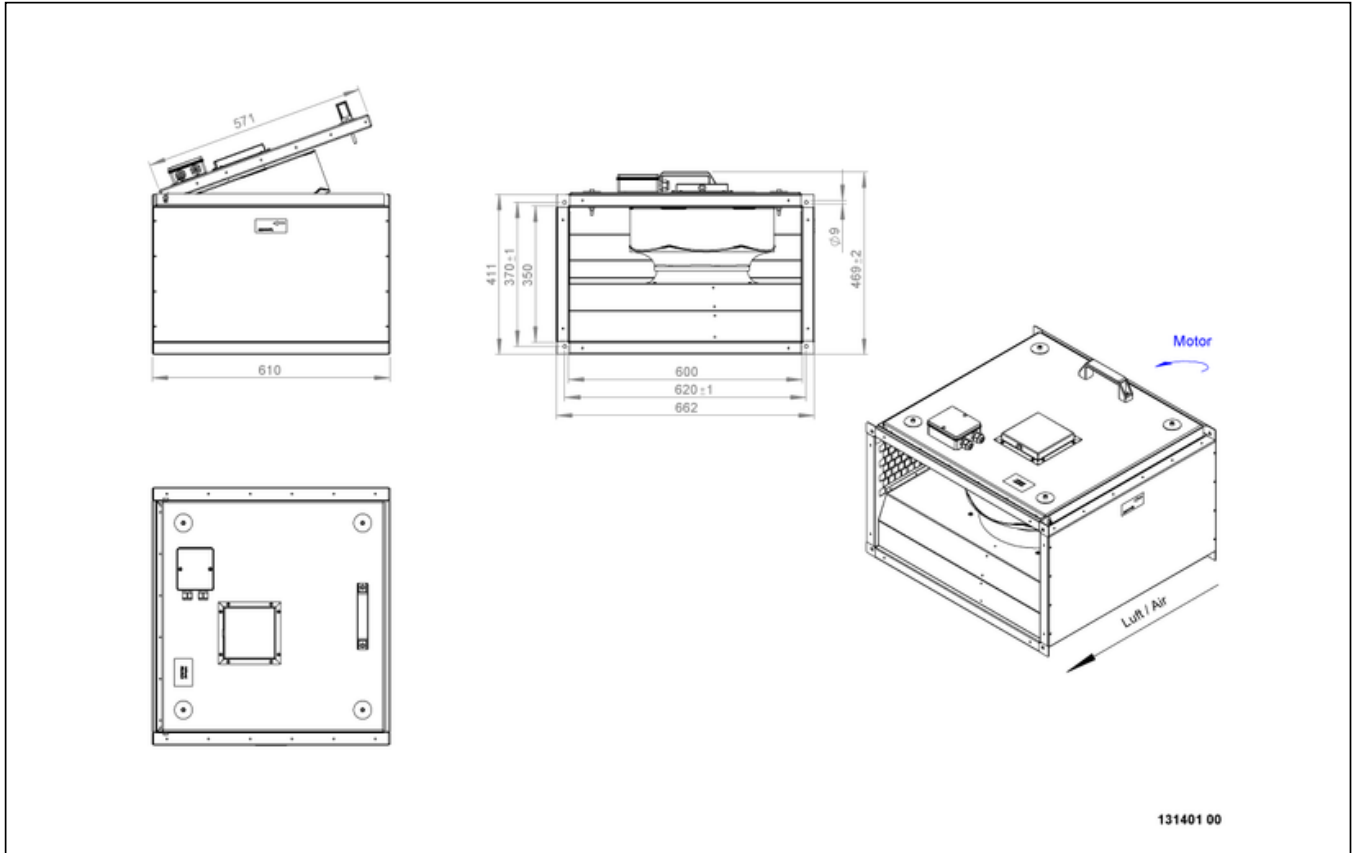


to the product detail page

KVRI 6035 E4 30

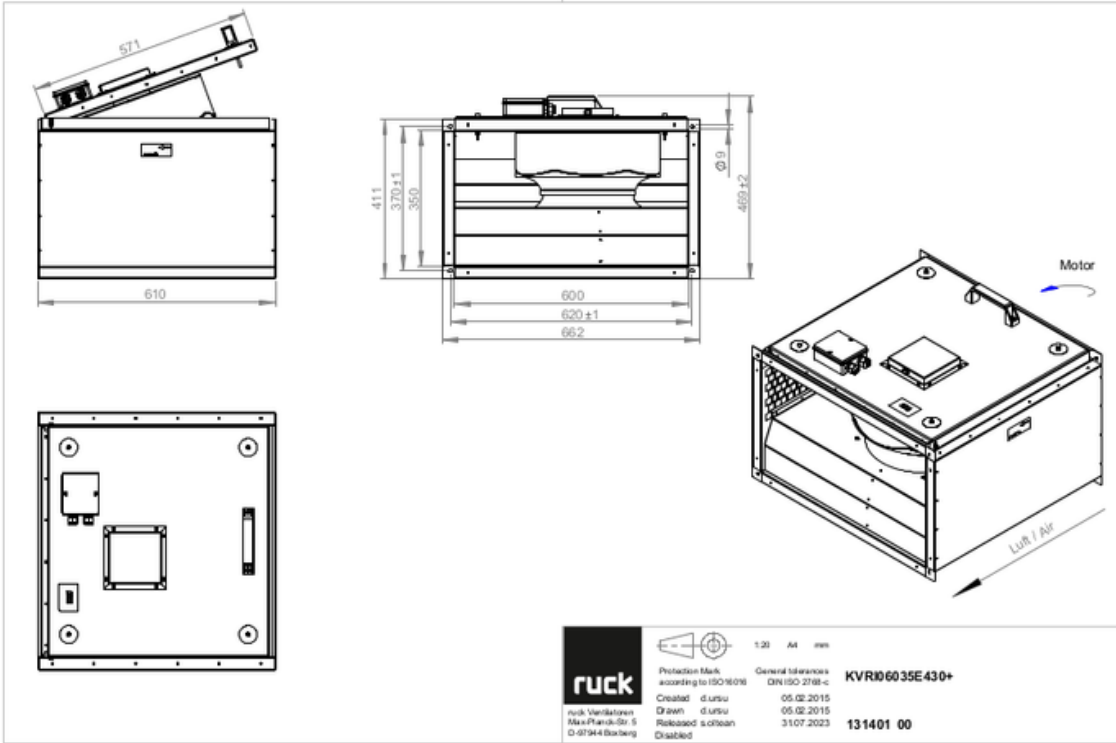
131401

CIRCUIT DIAGRAMS / DIMENSIONAL DRAWINGS



KVRI 6035 E4 30

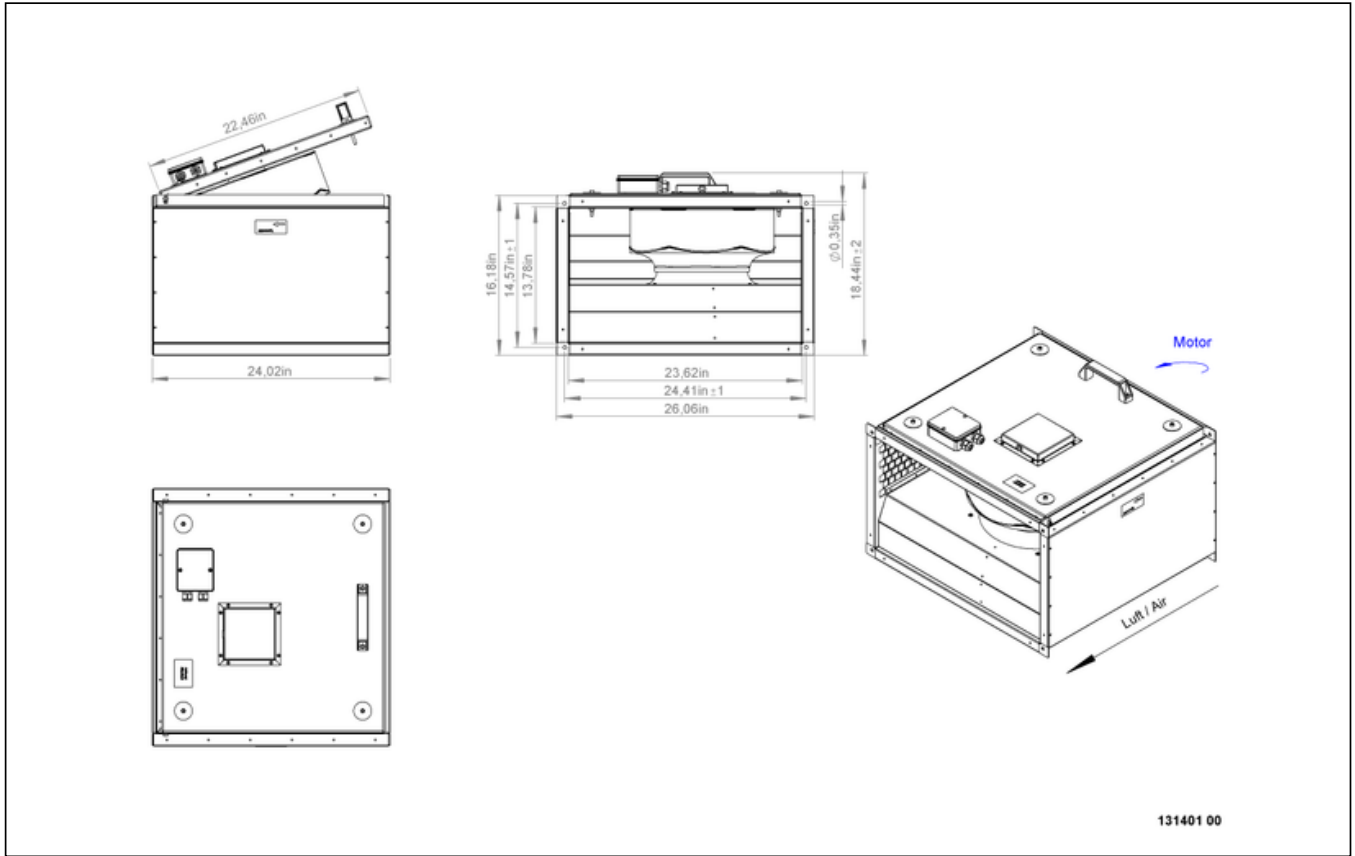
131401



to the product detail page

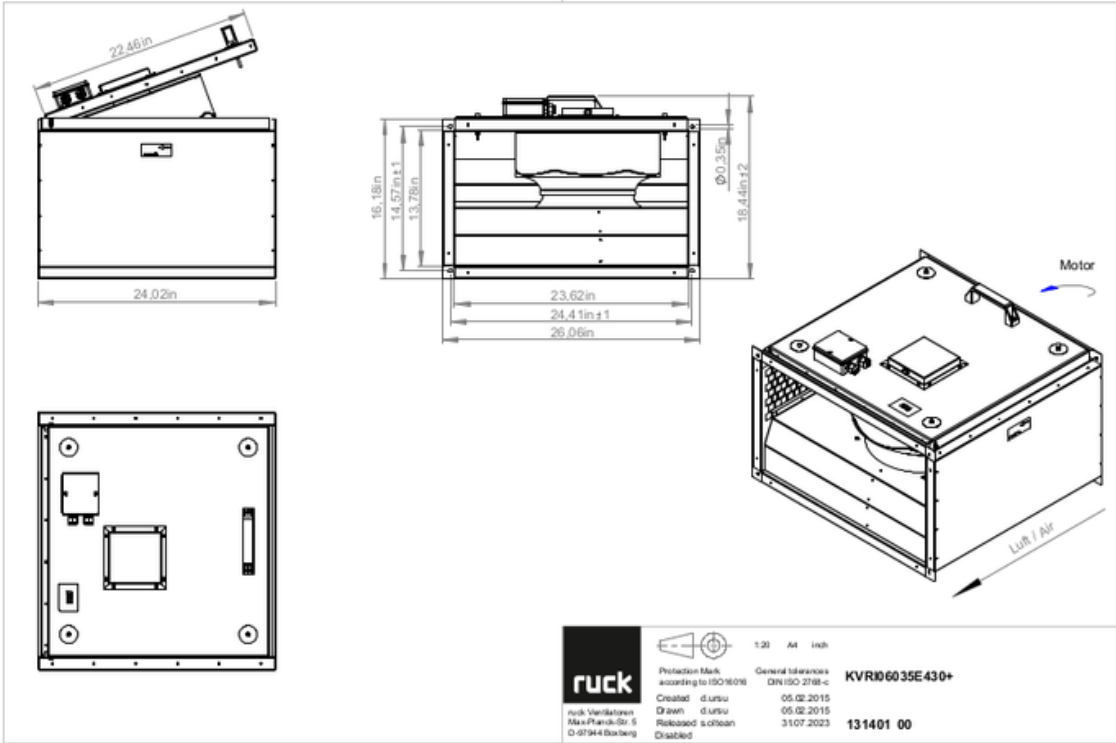
KVRI 6035 E4 30

131401



KVRI 6035 E4 30

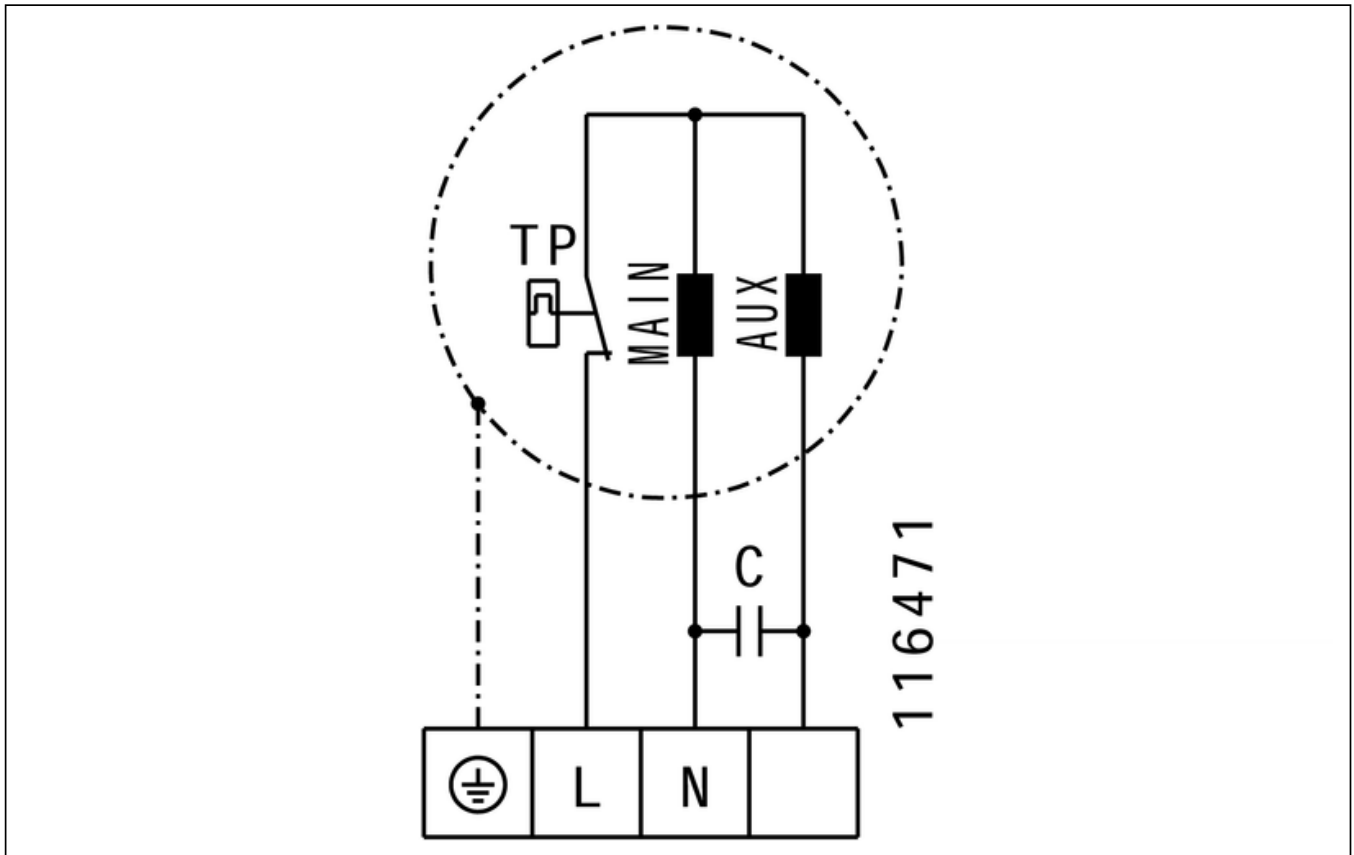
131401



to the product detail page

KVRI 6035 E4 30

131401



MECHANICAL ACCESSORIES

VS 6035 | 102808



- Duct connector, flexible
- Standard profile flange P20
- Galvanized steel sheet, plastic band (PVC)
- Temperature resistant up to 70 °C

VKK 6035 | 103892



- Automatic shutter
- Plastic, weather resistant
- Temperature resistant up to 70 °C



to the product detail page

KVRI 6035 E4 30

131401

ELECTRICAL ACCESSORIES

GS 01 | 102787



- Isolator switch
- $U_{max} = 400\text{ V}$, 50/60 Hz
- Switching capacity 400 V 3~ = 5,5 kW
- $I_{max} = 16\text{ A}$

MTY 2 | 103424



- Electronic controller
- Stepless
- 230 V ~, 50 Hz
- $I_{max} = 2\text{ A}$

TES 0145 | 111858



- Step transformer
- 230 V ~, 50/60 Hz

TEE 015 | 115893



- 5-step transformer
- 230 V ~, 50/60 Hz



to the product detail page