

KVRI 6030 EC 31

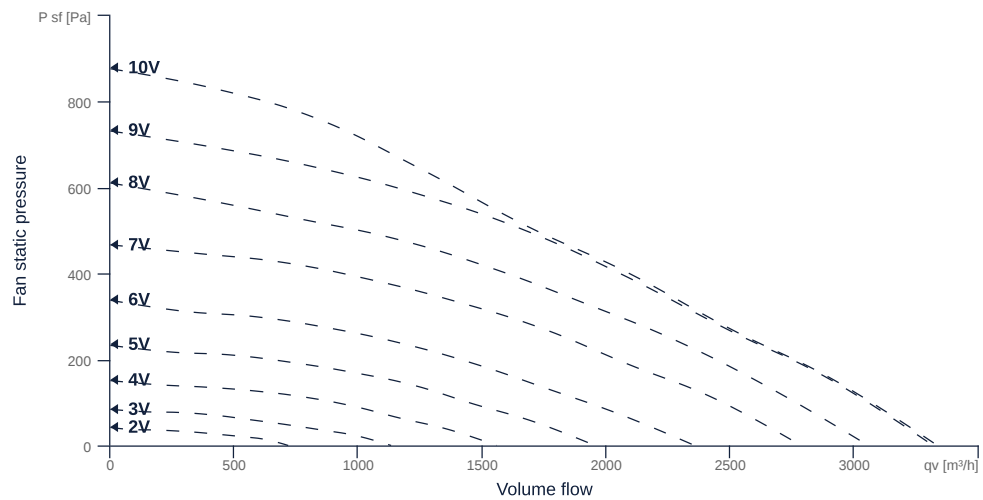
156841

- Backward curved radial impeller
- Swing out fan unit
- Galvanized sheet steel housing, double-walled, 25 mm mineral wool
- High efficiency EC motor, steplessly controllable
- Conveyed medium temperature up to 60 °C in continuous operation



MAP

Name	Value	Unit
Volume flow	0	m³/h
Pressure	0	Pa



to the product detail page

KVRI 6030 EC 31

156841

ruck

GENERAL DATA

Name	Value	Unit	Formula symbol
Labeling	CE, UKCA		
Duct size	600x300		WxH _{duct}
Pipe connection size (DN)	-		DN
Rated voltage (entire device)	230	V	U _{rated}
Phases (entire device)	1~		phase
Electrical protection (entire device)	6 A		fuse
Housing material	Galvanized steel		mat _{casing}
Impeller material	Plastic		mat _{impeller}
Weight	36.5	kg	m
Nominal air flow rate, nominal point m ³ /h	1537.2	m ³ /h	q _{v,nom}
Nominal external pressure, static	353.7	Pa	p _{s,nom}
Fan type	Radial		Fan _{type}
Category / Installation situation	A		cat

ERP DATA (LOT 6)

Name	Value	Unit	Formula symbol
Nominal air flow rate, nominal point m ³ /s	0.43	m ³ /s	q _{v,nom}
Actual electrical input power, nominal point	0.33	kW	P _{e,nom}
Face velocity, nominal point	5.3	m/s	v _{nom}
Nominal external pressure, static	353.7	Pa	p _{s,nom}
supply air fan static efficiency, nominal point	65.2	%	η _{es,SUP}
Highest external air leakage rate	0.82	%	
Enclosure sound level, nominal point	70	dB(A)	L _{WA2}
Rating	Product is compliant 2018		

MAXIMAL DATA

Name	Value		Unit	Formula symbol
	50 Hz	60 Hz		
Max. power consumption (device)	531	531	W	P _{ed,max}
Max. operating current (device)	2.45	2.45	A	I _{ed,max}
Max. speed	1900	1900	1/min	n _{max}
Max. stat. efficiency	44	44	%	η _{es}
Max. fan efficiency	44.5	44.5	%	η _e
Max. flowrate	3330	3330	m ³ /h	q _{v,max}
Max. stat pressure	880	880	Pa	p _{st,max}
Max. medium temperature	60	60	°C	T _{m,max}
Max. environment temperature	60	60	°C	T _{amb,max}
Min. environment temperature	-20	-20	°C	T _{amb,min}



to the product detail page

KVRI 6030 EC 31

156841

ruck

MOTOR DATA

Name	Value		Unit	Formula symbol
	50 Hz	60 Hz		
Rated frequency (device)		50		f
Motor type		EC		phase
Control type		stepless-controlled		ctrltype
Installation type		ORM (Out)		install
Rotation direction		right		rotation
Isolation class		ISO F		ISOclass
Motor-protection		TEC		protectmotor
Protection class		IP55		IPmotor
Is pole-changeable		No		polexch
Type of power supply		AC 1~		pwrsupmotor
Rated voltage	230		V	U _{rated, f1}
Rated current	2.2		A	I _{rated, f1}
Shaft power	500		W	P _{out, f1}
Speed	1500		1/min	n _{f1}
Min. temperature	-25		°C	T _{motor, min}
UL-Certification motor		UL recognized		ULcert

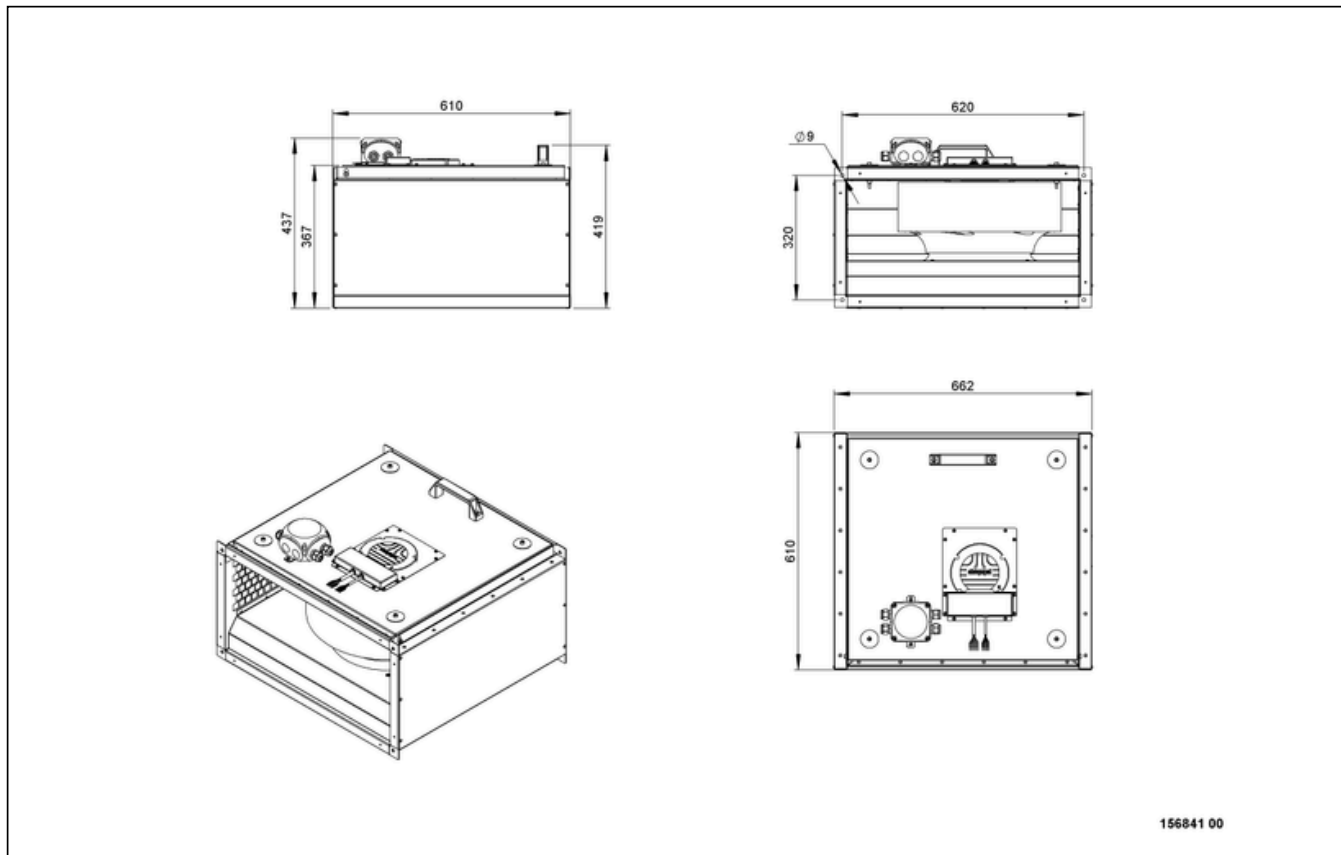
SMOKE EXTRACT DATA

Name	Value	Unit	Formula symbol
Fire resistance class	None		Fclass

KVRI 6030 EC 31

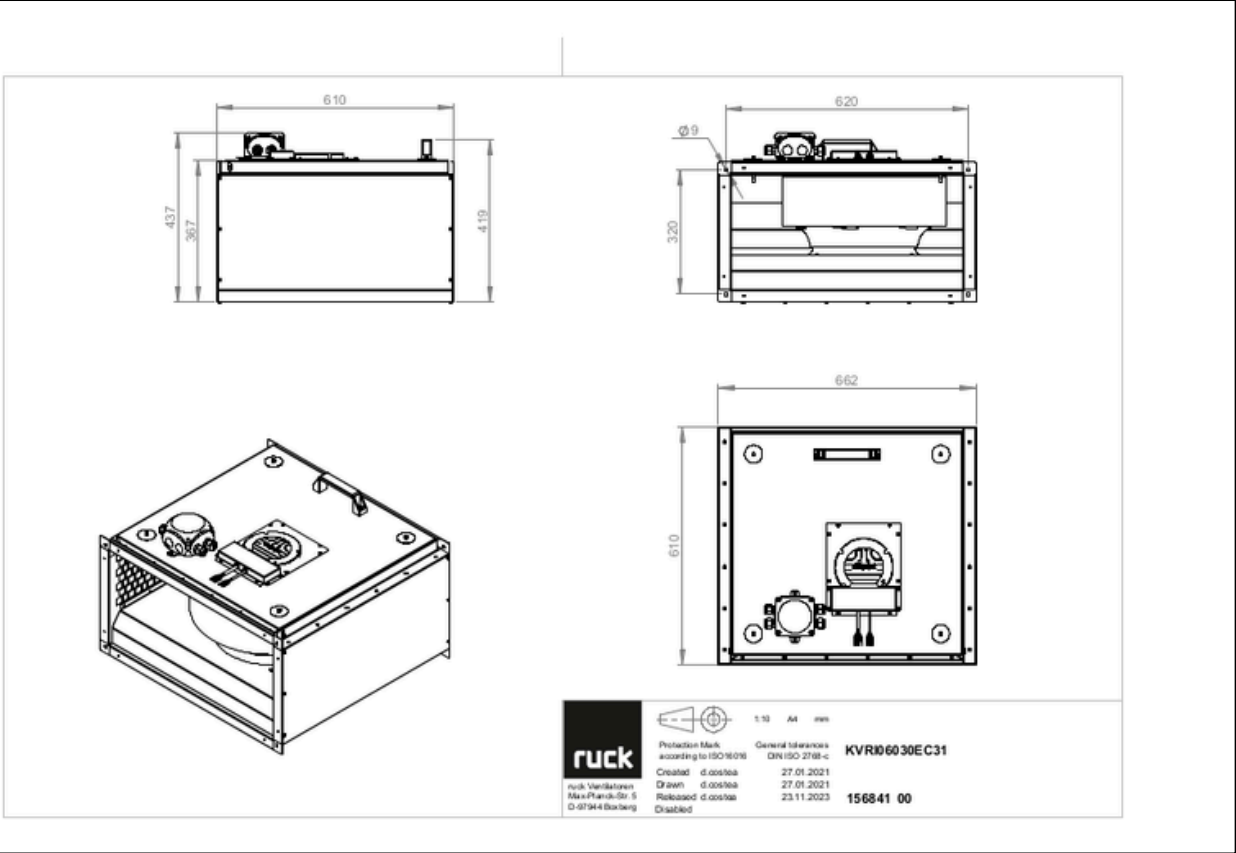
156841

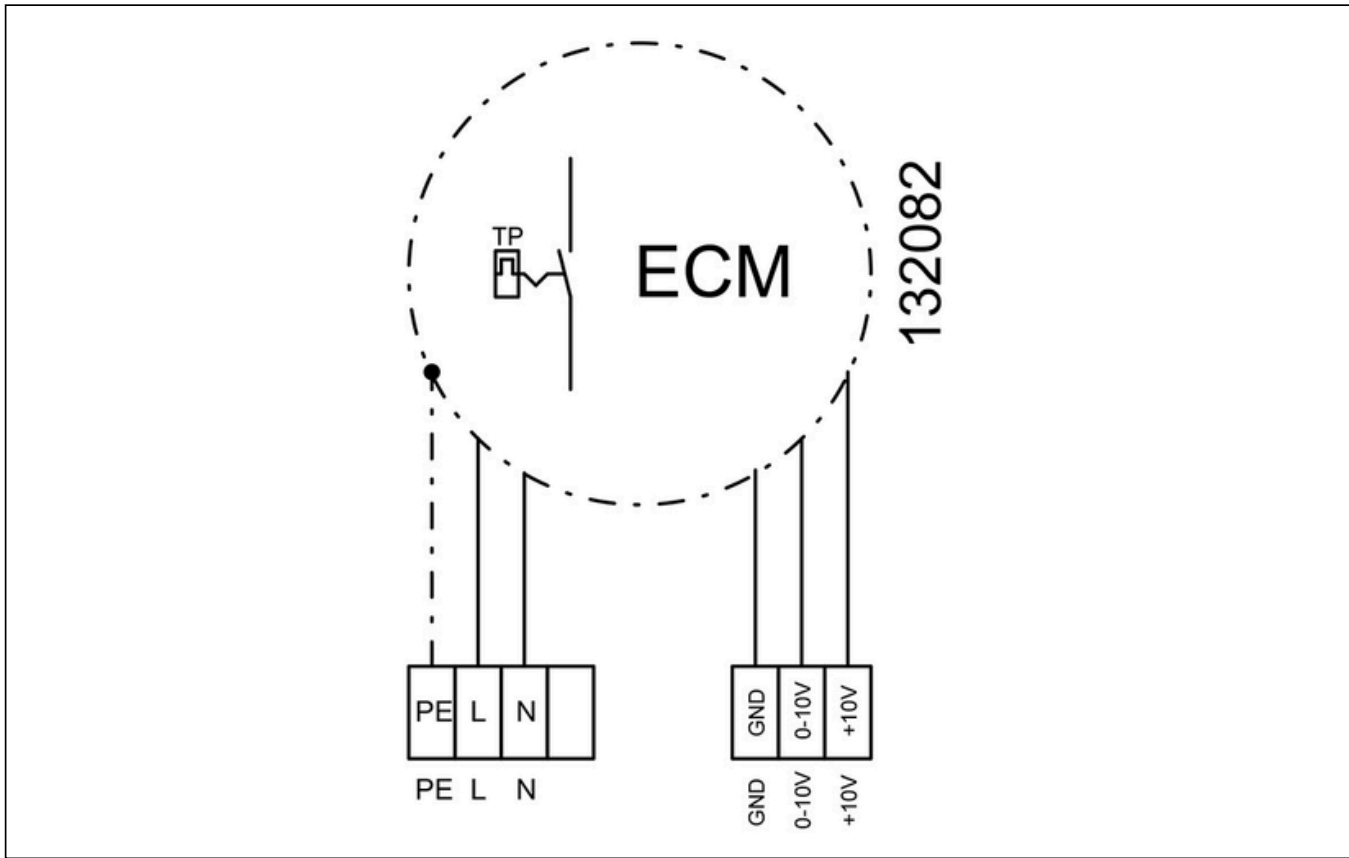
CIRCUIT DIAGRAMS / DIMENSIONAL DRAWINGS



KVRI 6030 EC 31

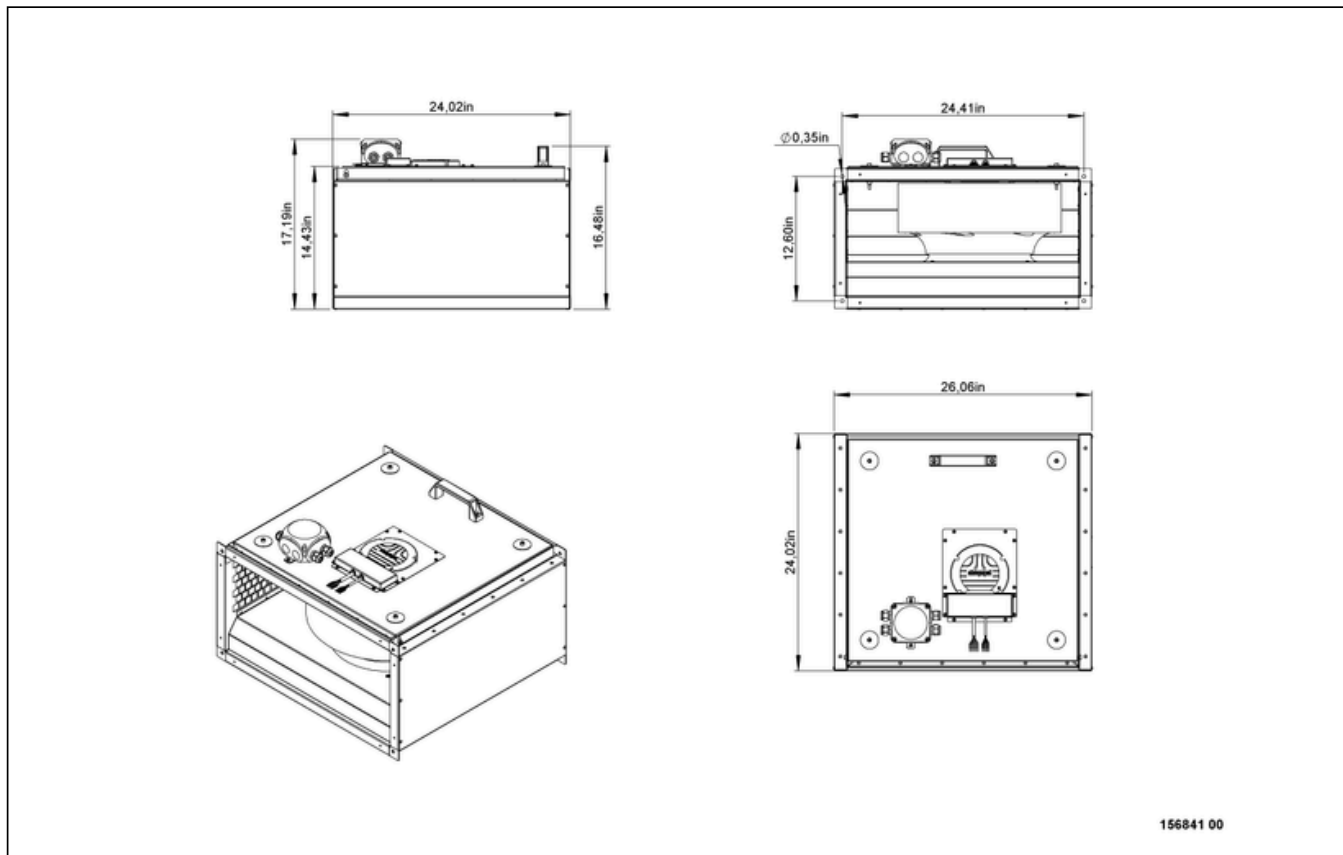
156841





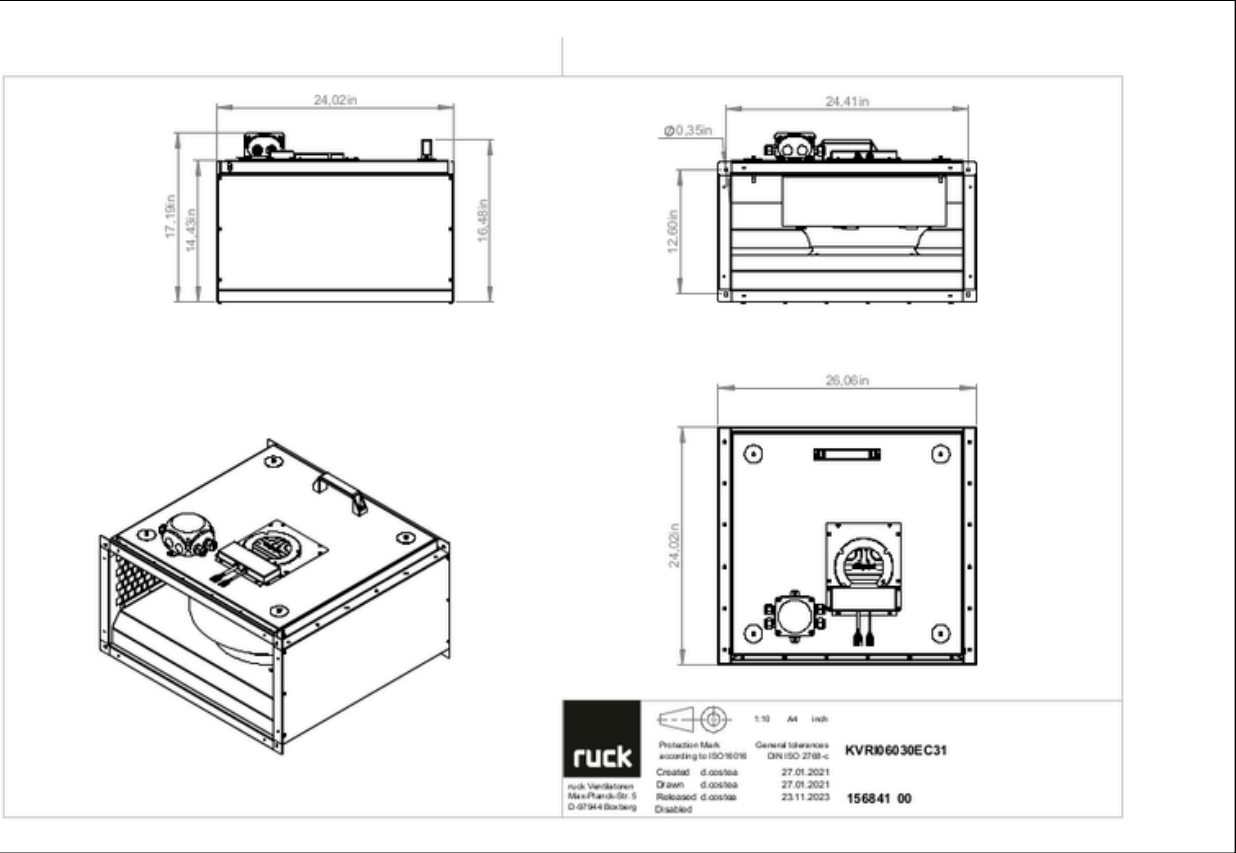
KVRI 6030 EC 31

156841



KVRI 6030 EC 31

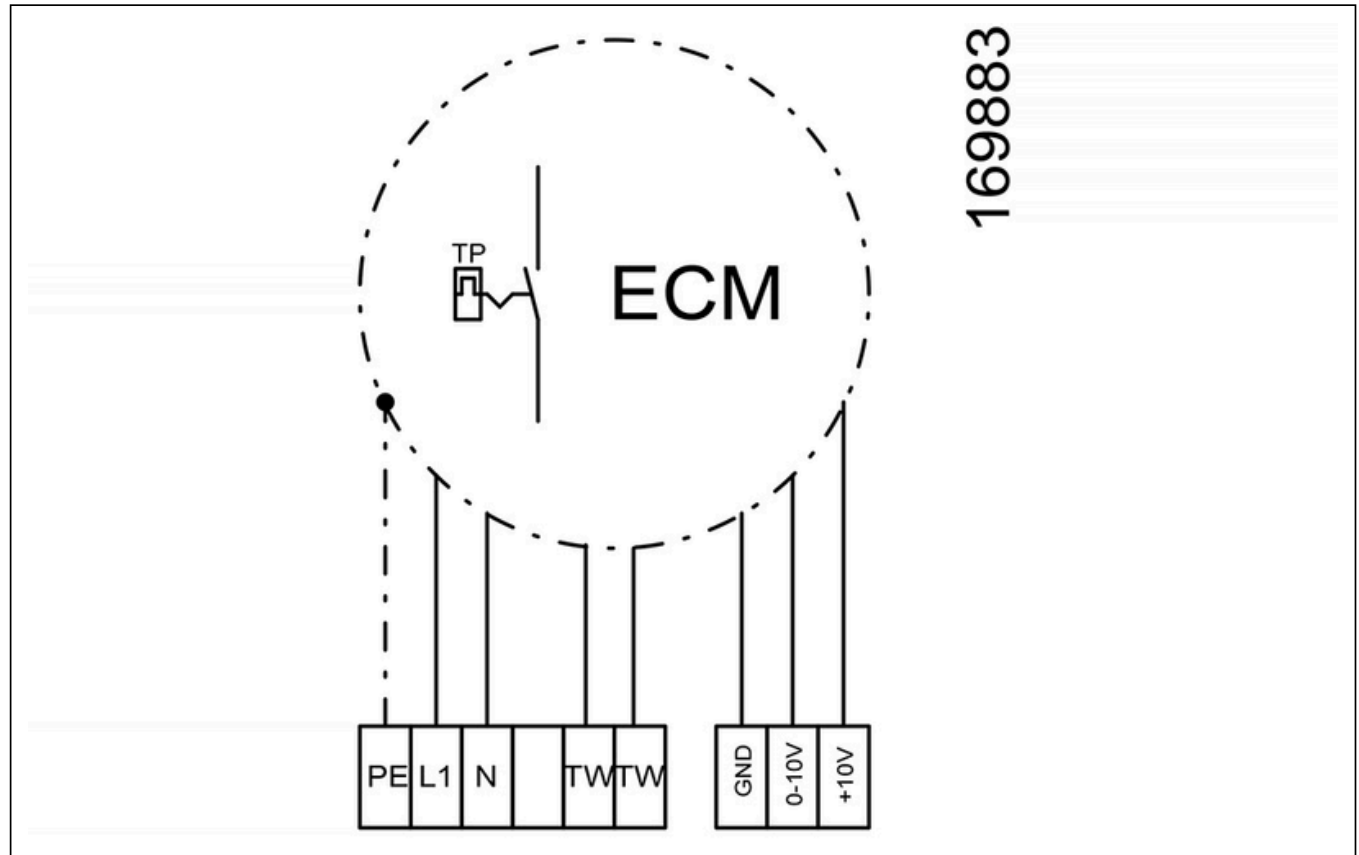
156841



to the product detail page

KVRI 6030 EC 31

156841



MECHANICAL ACCESSORIES

VS 6030 | 102806



- Duct connector, flexible
- Standard profile flange P20
- Galvanized steel sheet, plastic band (PVC)
- Temperature resistant up to 70 °C

VKK 6030 | 103895



- Automatic shutter
- Plastic, weather resistant
- Temperature resistant up to 70 °C



to the product detail page

KVRI 6030 EC 31

156841

ELECTRICAL ACCESSORIES

GS 03 | 107633



- Device switch
- $U_{max} = 400\text{ V}$, $I_{max} = 25\text{ A}$
- Switching capacity $400\text{ V } 3\text{-} = 5,5\text{ kW}$
- Protection class IP 55

CON P1000 | 115259



- Constant pressure control
- Actual value display possible via optional control unit
- Output 0-10 V DC + FC enable + setpoint reached
- Pressure setting by means of decade switch

MTP 20 | 128146



- Potentiometer 10 k Ω
- Switching contact 1A/250V AC - 2,5A/12V DC
- Max. ambient temperature 50 °C
- VDE

MTP 30 | 143289



- Stepped potentiometer 10 k Ω
- Step 1 + 2 settable 10 % - 100 % Vdc
- Step 3 100 % Vdc
- Supply voltage +10 Vdc

MTP 40 | 147359



- Potentiometer 10 k Ω
- Connection in terminal box
- Max. ambient temperature 50 °C
- PU: 20 pieces

MTP 50 | 153133



- Potentiometer with multifunction output
- 230 VAC $\pm 10\%$ / 50-60 Hz
- Selectable output: 1-10 VDC / 2-20 mA / 10-100 % PWM
- Min. and max. output value adjustable



to the product detail page