

KVRI 10050 EC 30

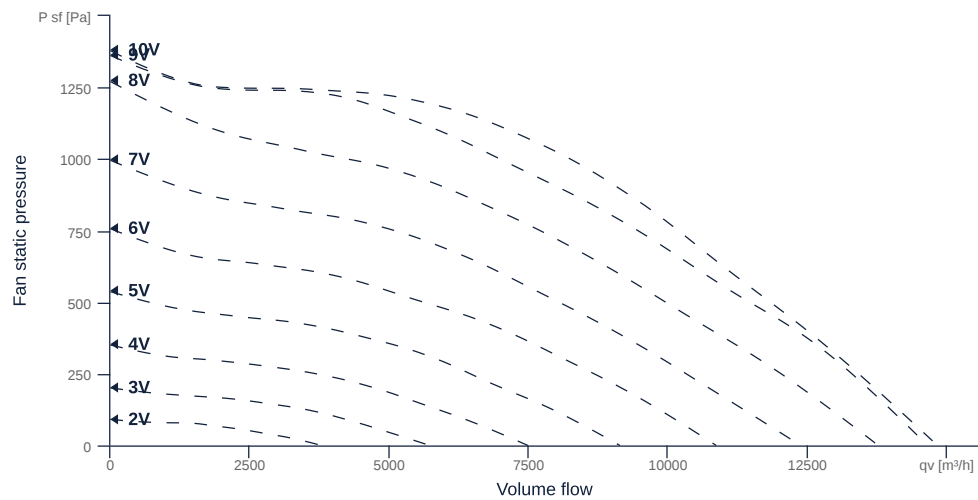
131446

- Backward curved radial impeller
- Swing out fan unit
- Galvanized sheet steel housing, double-walled, 25 mm mineral wool
- High efficiency EC motor, steplessly controllable
- Conveyed medium temperature up to 60 °C in continuous operation



MAP

Name	Value	Unit
Volume flow	0	m ³ /h
Pressure	0	Pa



to the product detail page

KVRI 10050 EC 30

131446

ruck

GENERAL DATA

Name	Value	Unit	Formula symbol
Labeling	CE, UKCA		
Duct size	1000x500		WxH _{duct}
Pipe connection size (DN)	-		DN
Rated voltage (entire device)	400	V	U _{rated}
Phases (entire device)	3~		phase
Electrical protection (entire device)	6 A		fuse
Housing material	Galvanized steel		mat _{casing}
Impeller material	Plastic		mat _{impeller}
Weight	87	kg	m
Nominal air flow rate, nominal point m ³ /h	8672.4	m ³ /h	q _{v,nom}
Nominal external pressure, static	949.7	Pa	p _{s,nom}
Fan type	Radial		Fan _{type}
Category / Installation situation	A		cat

ERP DATA (LOT 6)

Name	Value	Unit	Formula symbol
Nominal air flow rate, nominal point m ³ /s	2.41	m ³ /s	q _{v,nom}
Actual electrical input power, nominal point	3.45	kW	P _{e,nom}
Face velocity, nominal point	4.8	m/s	v _{nom}
Nominal external pressure, static	949.7	Pa	p _{s,nom}
supply air fan static efficiency, nominal point	65.5	%	η _{es,SUP}
Enclosure sound level, nominal point	80	dB(A)	L _{WA2}
Rating	Product is compliant 2018		

MAXIMAL DATA

Name	Value		Unit	Formula symbol
	50 Hz	60 Hz		
Max. power consumption (device)	3455	3455	W	P _{ed, max}
Max. operating current (device)	5.33	5.33	A	I _{ed, max}
Max. speed	1800	1800	1/min	n _{max}
Max. stat. efficiency	61.9	61.9	%	η _{es}
Max. fan efficiency	62.8	62.8	%	η _e
Max. flowrate	14830	14830	m ³ /h	q _{v, max}
Max. stat pressure	1380	1380	Pa	p _{sf, max}
Max. medium temperature	60	60	°C	T _{m, max}
Max. environment temperature	60	60	°C	T _{amb, max}
Min. environment temperature	-30	-30	°C	T _{amb, min}



to the product detail page

KVRI 10050 EC 30

131446

ruck

MOTOR DATA

Name	Value		Unit	Formula symbol
	50 Hz	60 Hz		
Rated frequency (device)		50		f
Motor type		EC		phase
Control type		stepless-controlled		ctrltype
Installation type		ORM (Out)		install
Rotation direction		right		rotation
Isolation class		ISO F		ISOclass
Motor-protection		TEC		protectmotor
Protection class		IP55		IPmotor
Is pole-changeable		No		polexch
Type of power supply		AC 3~		pwrsupmotor
Rated voltage	400		V	U _{rated, f1}
Rated current	5.4		A	I _{rated, f1}
Shaft power	3500		W	P _{out, f1}
Speed	1750		1/min	n _{f1}
Min. temperature	-40		°C	T _{motor, min}
UL-Certification motor		UL recognized		ULcert

SMOKE EXTRACT DATA

Name	Value	Unit	Formula symbol
Fire resistance class	None		Fclass

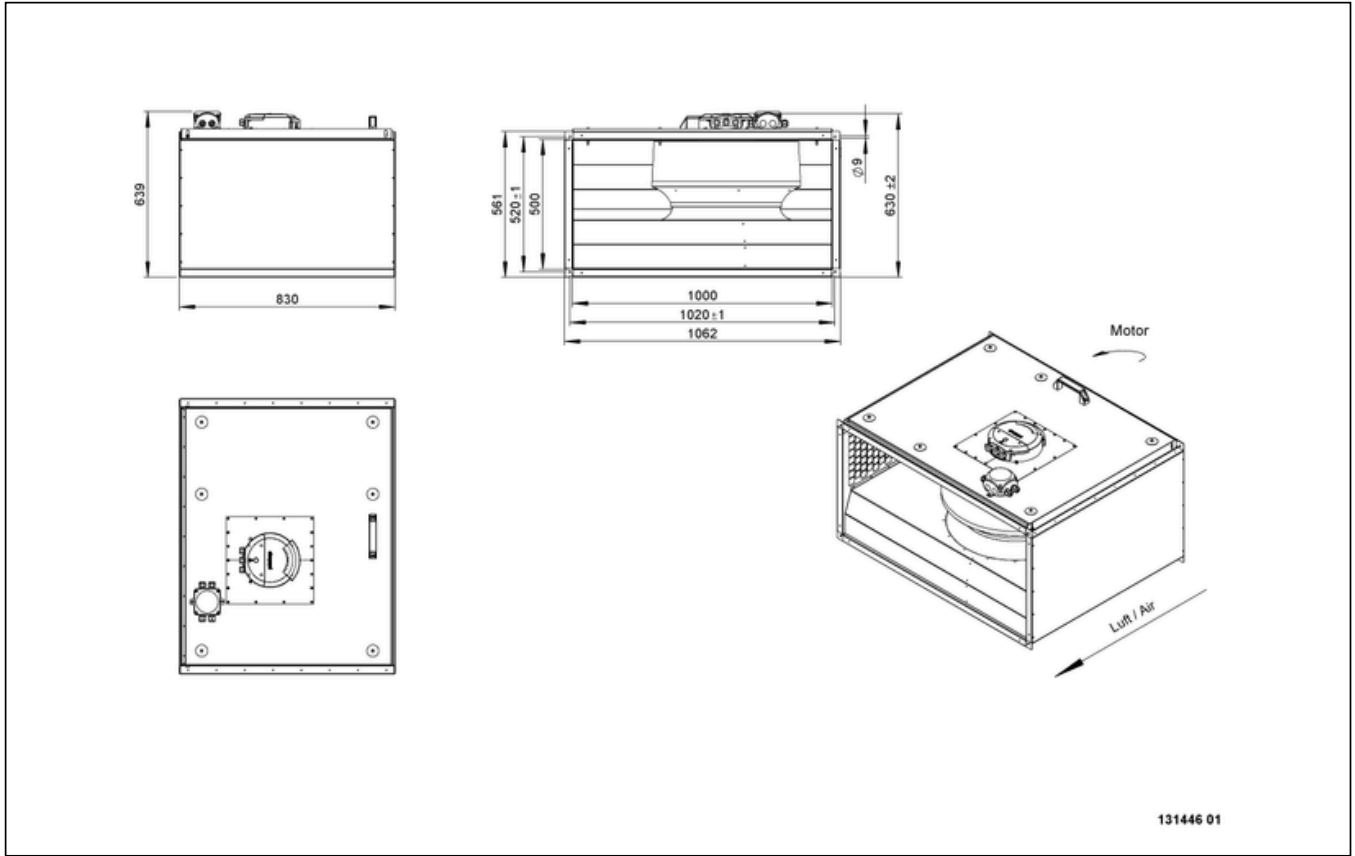


to the product detail page

KVRI 10050 EC 30

131446

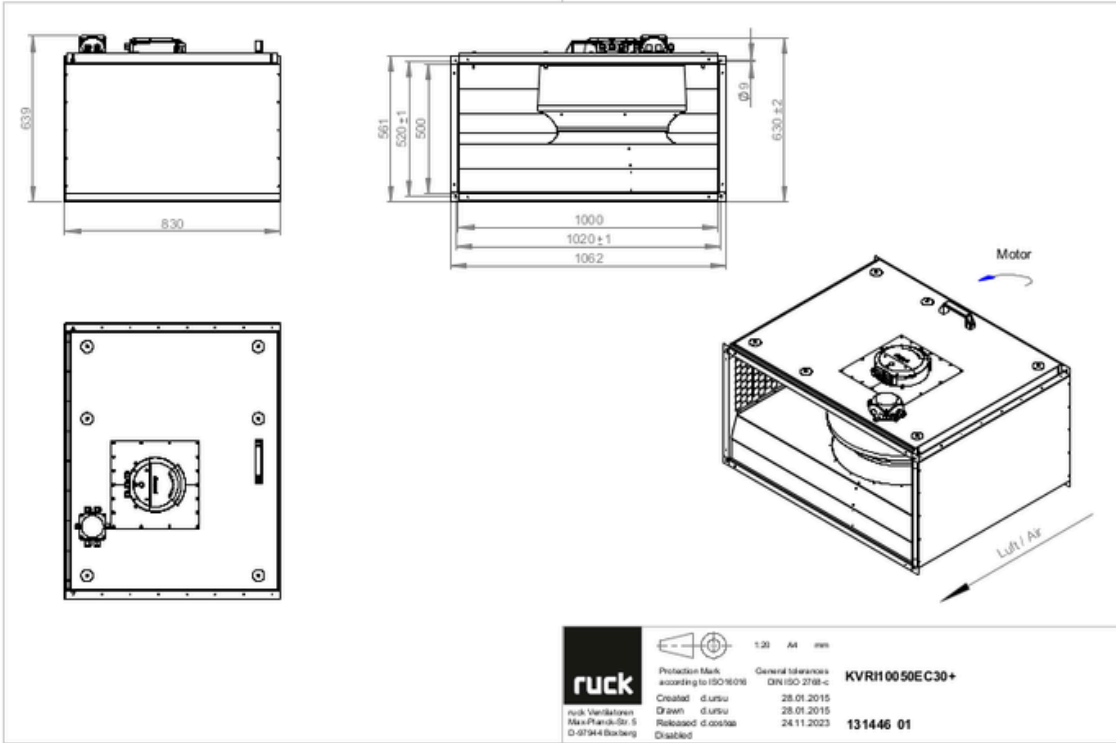
CIRCUIT DIAGRAMS / DIMENSIONAL DRAWINGS



to the product detail page

KVRI 10050 EC 30

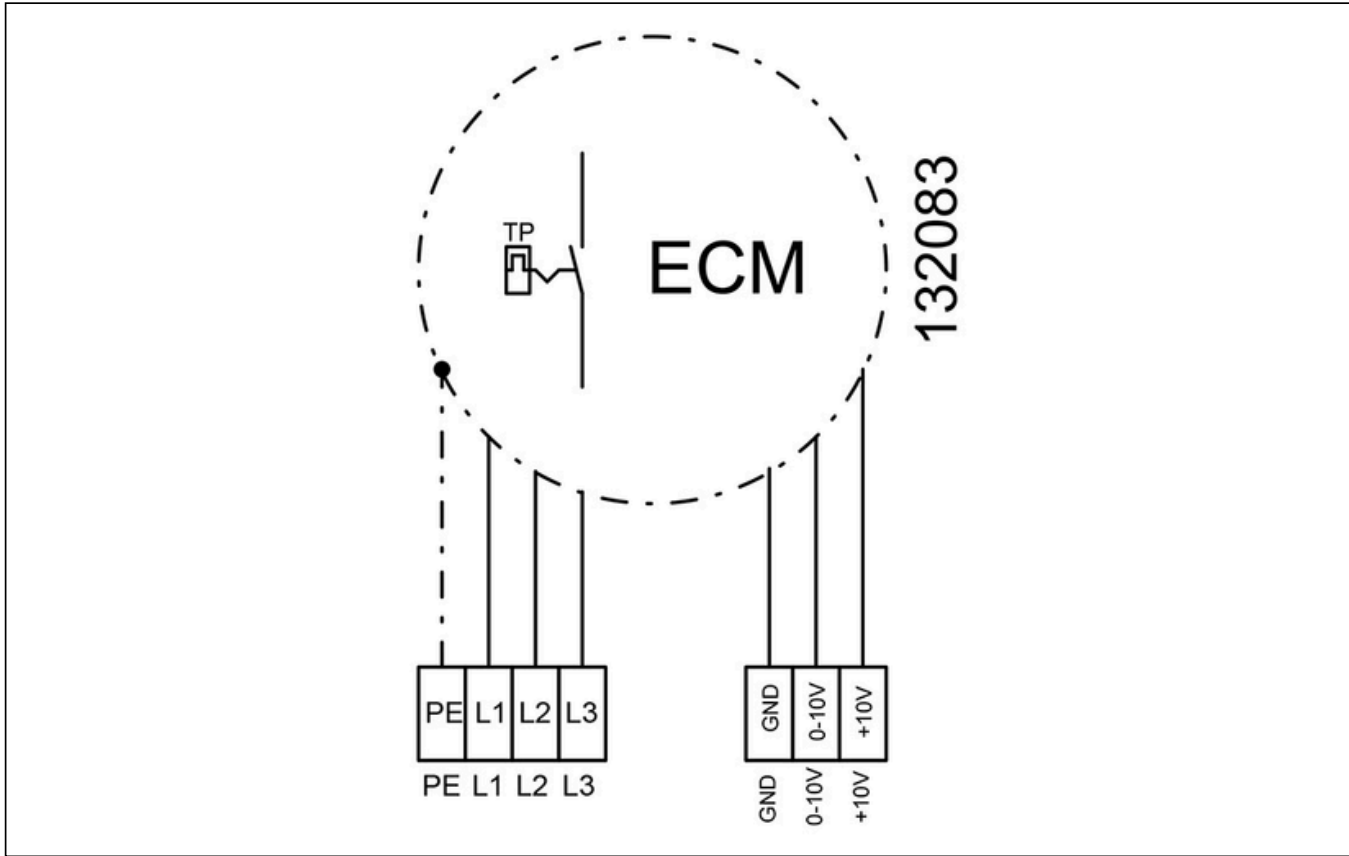
131446



to the product detail page

KVRI 10050 EC 30

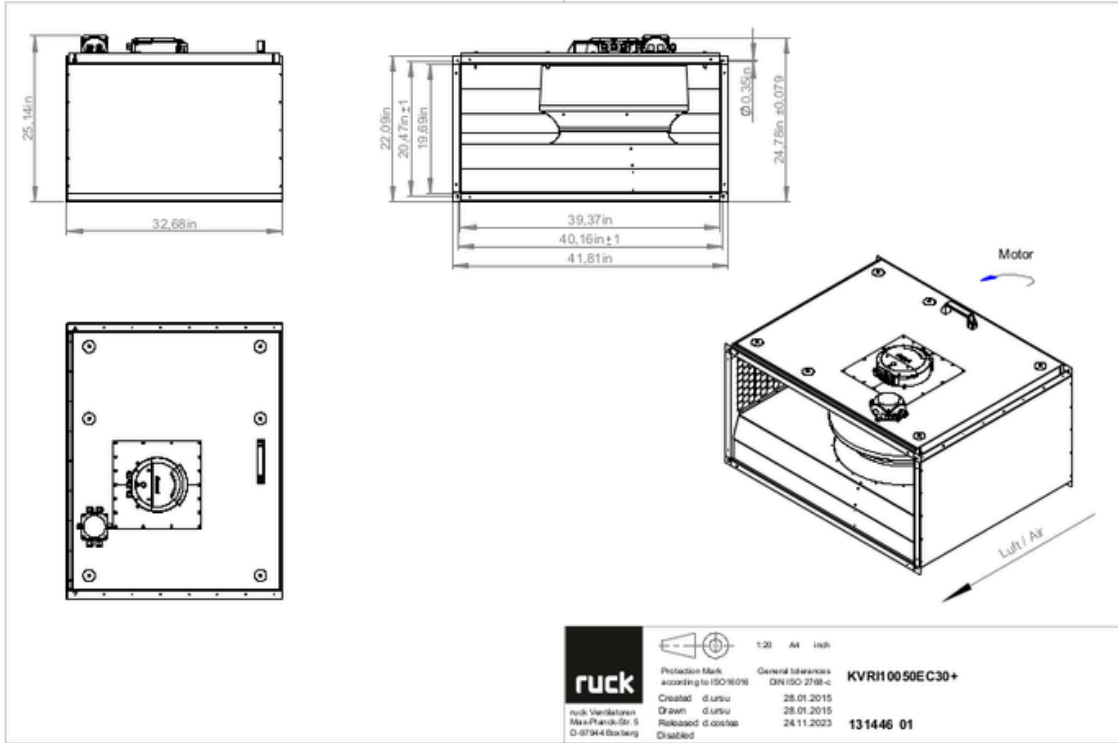
131446



[to the product detail page](#)

KVRI 10050 EC 30

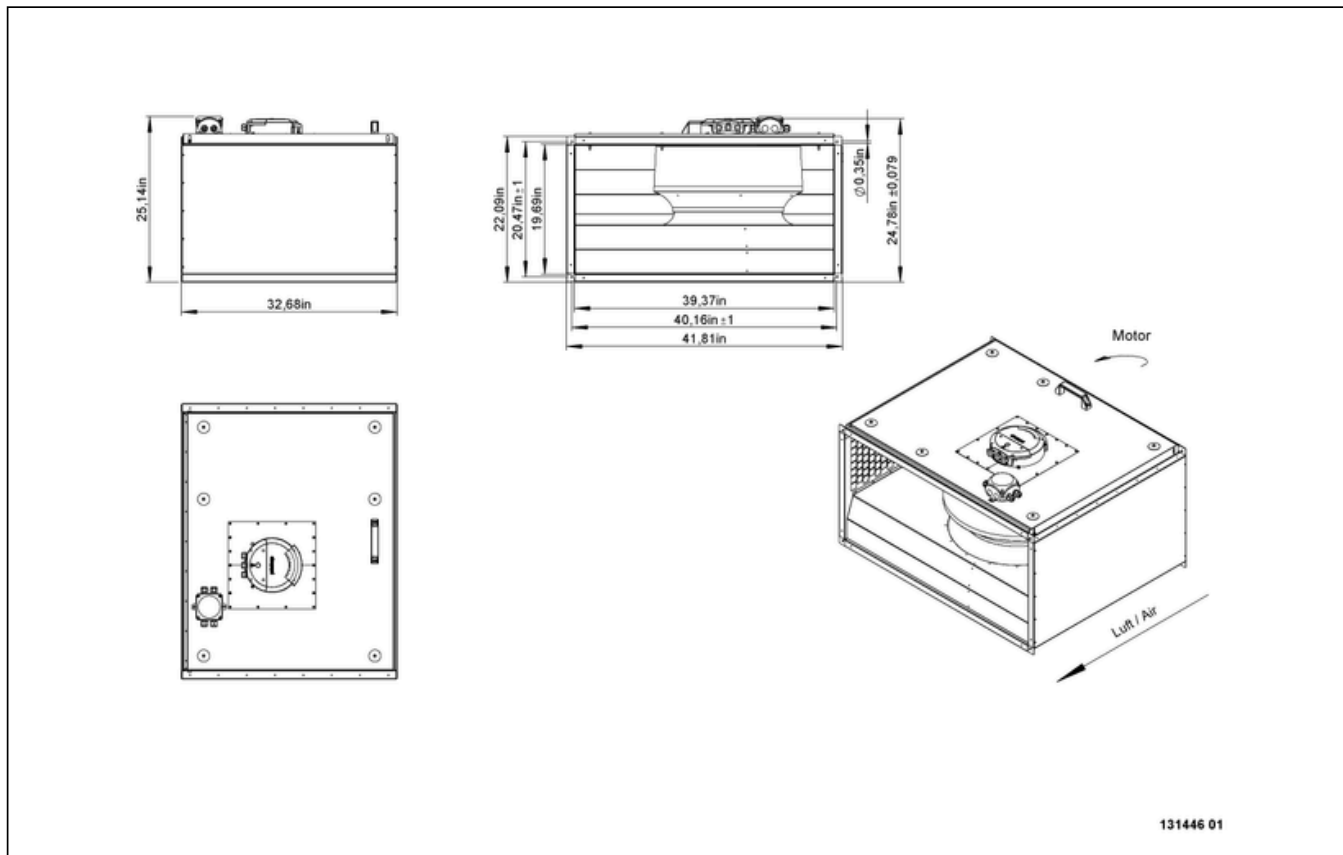
131446



to the product detail page

KVRI 10050 EC 30

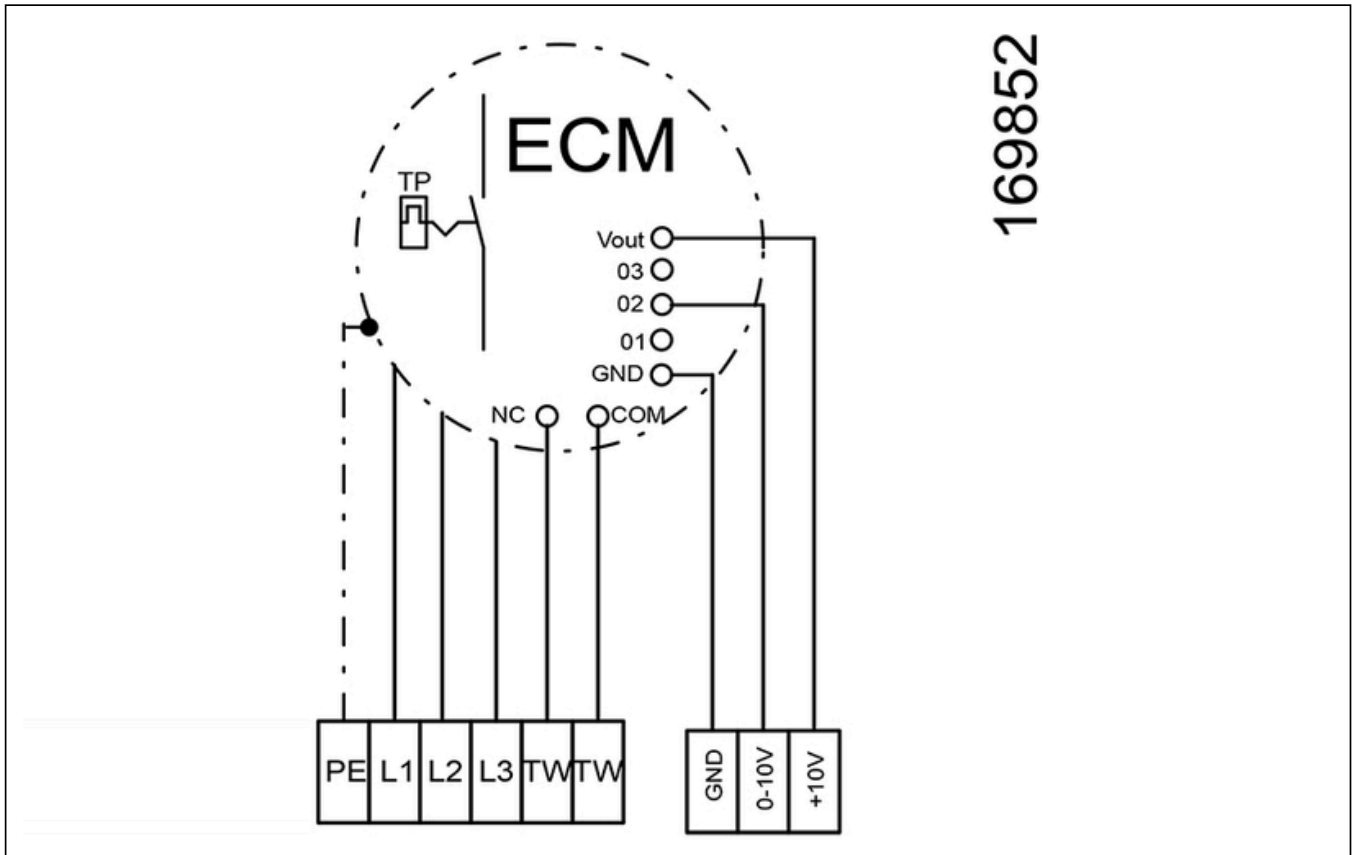
131446



KVRI 10050 EC 30

131446

169852



MECHANICAL ACCESSORIES

VKK 10050 | 103946



- Automatic shutter
- Plastic, weather resistant
- Temperature resistant up to 70 °C

VS 10050 | 103956



- Duct connector, flexible
- Standard profile flange P20
- Galvanized steel sheet, plastic band (PVC)
- Temperature resistant up to 70 °C



to the product detail page

KVRI 10050 EC 30

131446

ELECTRICAL ACCESSORIES

GS 03 | 107633



- Device switch
- $U_{max} = 400\text{ V}$, $I_{max} = 25\text{ A}$
- Switching capacity $400\text{ V } 3\text{-} = 5,5\text{ kW}$
- Protection class IP 55

CON P1000 | 115259



- Constant pressure control
- Actual value display possible via optional control unit
- Output 0-10 V DC + FC enable + setpoint reached
- Pressure setting by means of decade switch

MTP 20 | 128146



- Potentiometer 10 k Ω
- Switching contact 1A/250V AC - 2,5A/12V DC
- Max. ambient temperature 50 °C
- VDE

MTP 30 | 143289



- Stepped potentiometer 10 k Ω
- Step 1 + 2 settable 10 % - 100 % Vdc
- Step 3 100 % Vdc
- Supply voltage +10 Vdc

MTP 40 | 147359



- Potentiometer 10 k Ω
- Connection in terminal box
- Max. ambient temperature 50 °C
- PU: 20 pieces

MTP 50 | 153133



- Potentiometer with multifunction output
- 230 VAC $\pm 10\%$ / 50-60 Hz
- Selectable output: 1-10 VDC / 2-20 mA / 10-100 % PWM
- Min. and max. output value adjustable



to the product detail page