

# KVRI 10050 D4 30

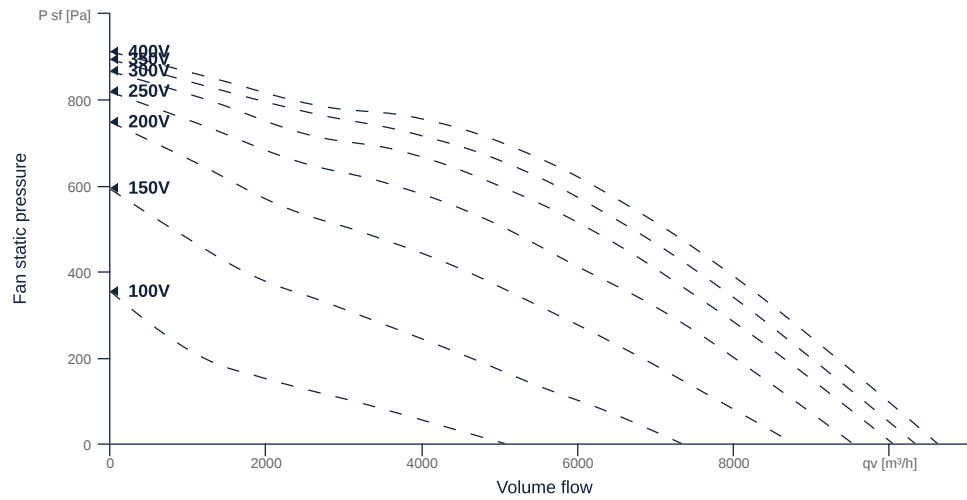
131422

- Backward curved radial impeller
- Swing out fan unit
- Galvanized sheet steel housing, double-walled, 25 mm mineral wool
- Efficient IE3 motor, frequency controllable
- Conveyed medium temperature up to 60 °C in continuous operation



## MAP

Name	Value	Unit
Volume flow	0	m³/h
Pressure	0	Pa



to the product detail page

# KVRI 10050 D4 30

131422

**ruck**

## GENERAL DATA

Name	Value	Unit	Formula symbol
Labeling	CE, UKCA		
Rated voltage (entire device)	400	V	U <sub>rated</sub>
Electrical protection (entire device)	6 A		fuse
Housing material	Steel		mat <sub>casing</sub>
IP-protection class (entire device)	IPX4		IP <sub>compl</sub>
IP-Protection class (terminal box)	IP44		IP <sub>ebox</sub>
Weight	93.5	kg	m
Nominal air flow rate, nominal point m <sup>3</sup> /h	7758	m <sup>3</sup> /h	Q <sub>v,nom</sub>
Nominal external pressure, static	418	Pa	p <sub>s,nom</sub>
Category / Installation situation	A		cat

## ERP DATA (LOT 6)

Name	Value	Unit	Formula symbol
Nominal air flow rate, nominal point m <sup>3</sup> /s	2.16	m <sup>3</sup> /s	Q <sub>v,nom</sub>
Actual electrical input power, nominal point	1.85	kW	P <sub>e,nom</sub>
Face velocity, nominal point	4.31	m/s	V <sub>nom</sub>
Nominal external pressure, static	418	Pa	p <sub>s,nom</sub>
supply air fan static efficiency, nominal point	54	%	η <sub>es,SUP</sub>
Enclosure sound level, nominal point	74	dB(A)	L <sub>WA2</sub>
Rating	Product is compliant 2018		

## MAXIMAL DATA

Name	Value	Unit	Formula symbol
Max. power consumption (device)	1862	W	P <sub>ed, max</sub>
Max. operating current (device)	4.55	A	I <sub>ed, max</sub>
Max. speed	1450	1/min	n <sub>max</sub>
Max. stat. efficiency	52.6	%	η <sub>es</sub>
Max. fan efficiency	53.1	%	η <sub>e</sub>
Max. flowrate	10610	m <sup>3</sup> /h	Q <sub>v, max</sub>
Max. stat pressure	910	Pa	p <sub>sf, max</sub>
Max. medium temperature	60	°C	T <sub>m, max</sub>
Max. environment temperature	60	°C	T <sub>amb, max</sub>
Min. environment temperature	-30	°C	T <sub>amb, min</sub>
Min. voltage	100	V	U <sub>min</sub>



to the product detail page

# KVRI 10050 D4 30

131422

---

## MOTOR DATA

Name	Value	Unit	Formula symbol
Rated frequency (device)	50		f
Is pole-changeable	No		polexch

## SMOKE EXTRACT DATA

Name	Value	Unit	Formula symbol
Fire resistance class	None		Fclass

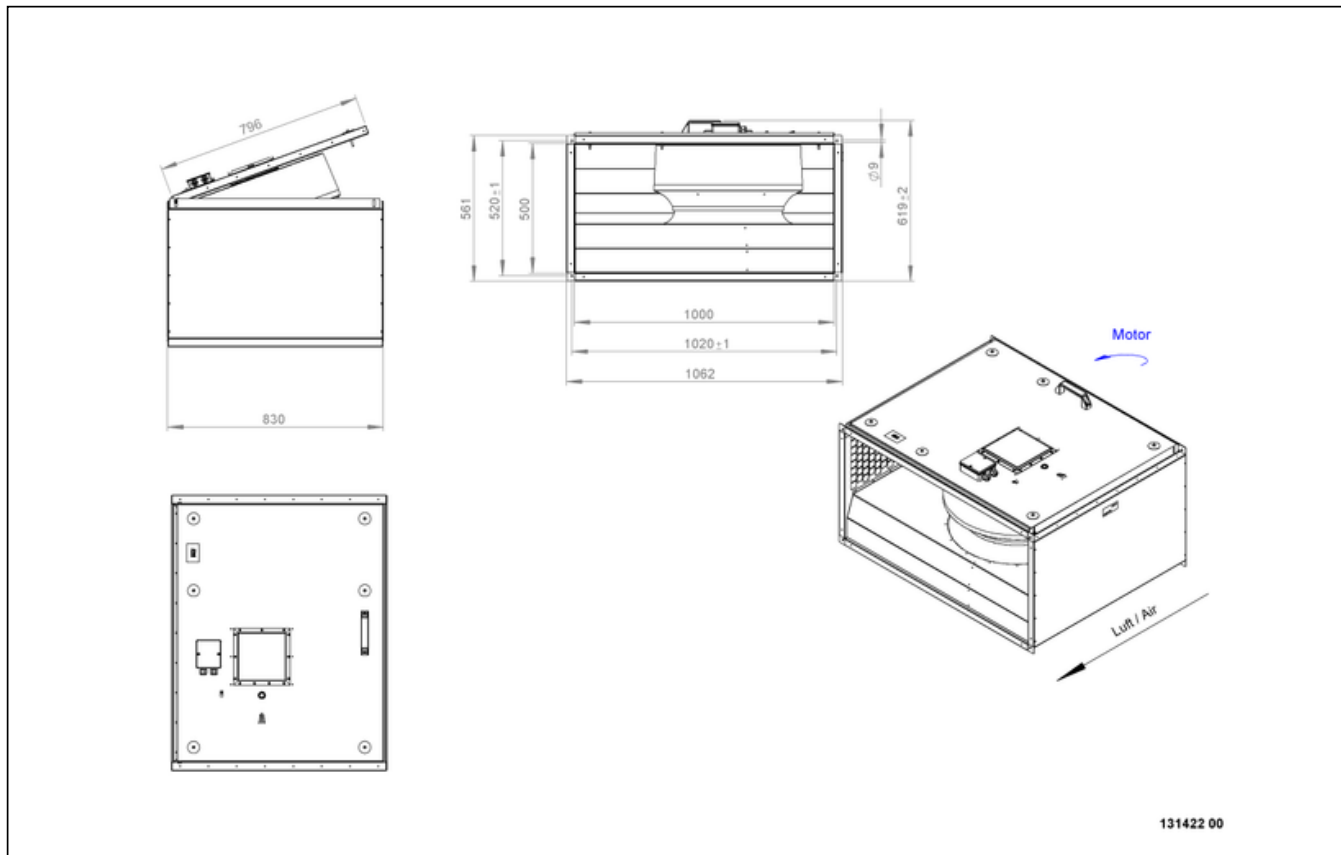


[to the product detail page](#)

# KVRI 10050 D4 30

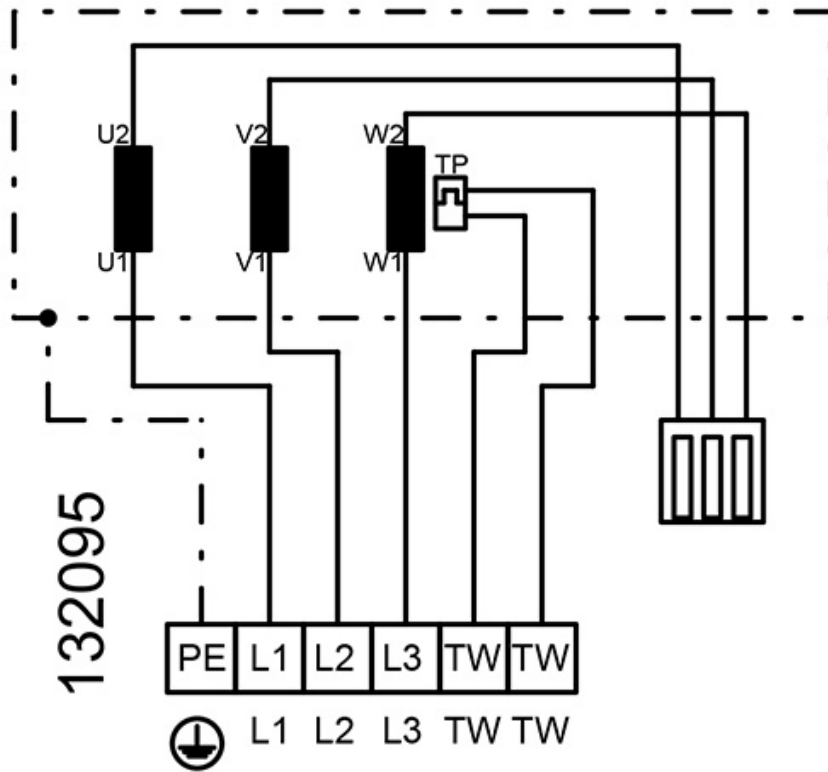
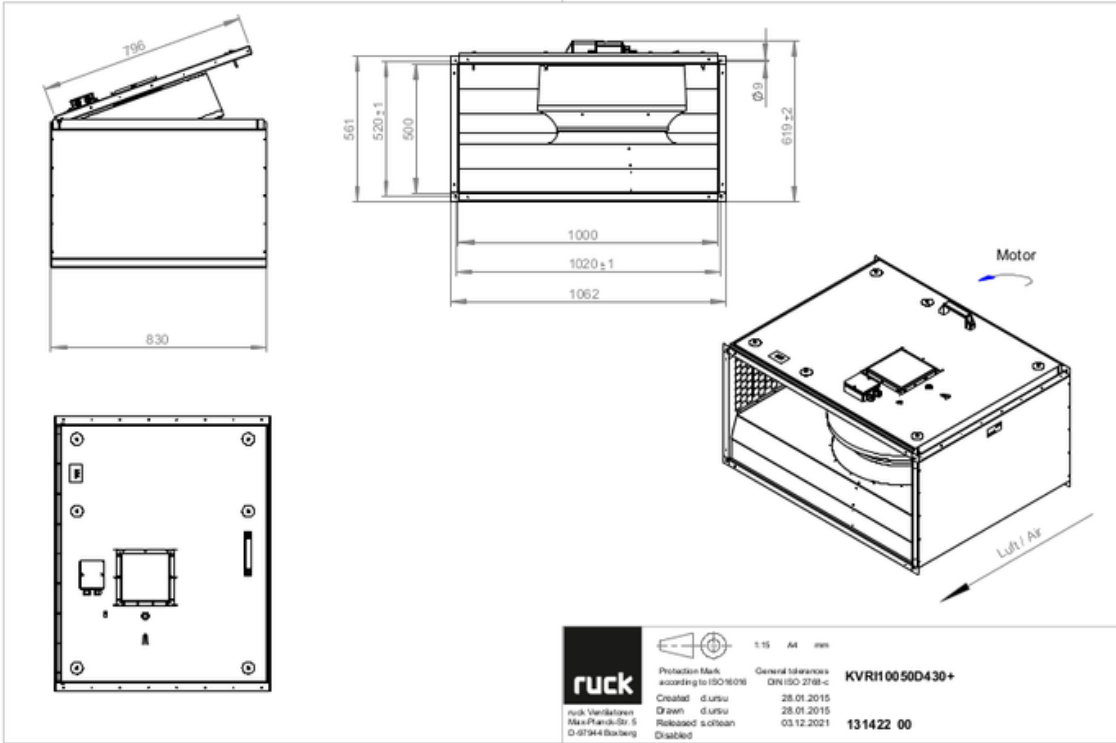
131422

## CIRCUIT DIAGRAMS / DIMENSIONAL DRAWINGS



# KVRI 10050 D4 30

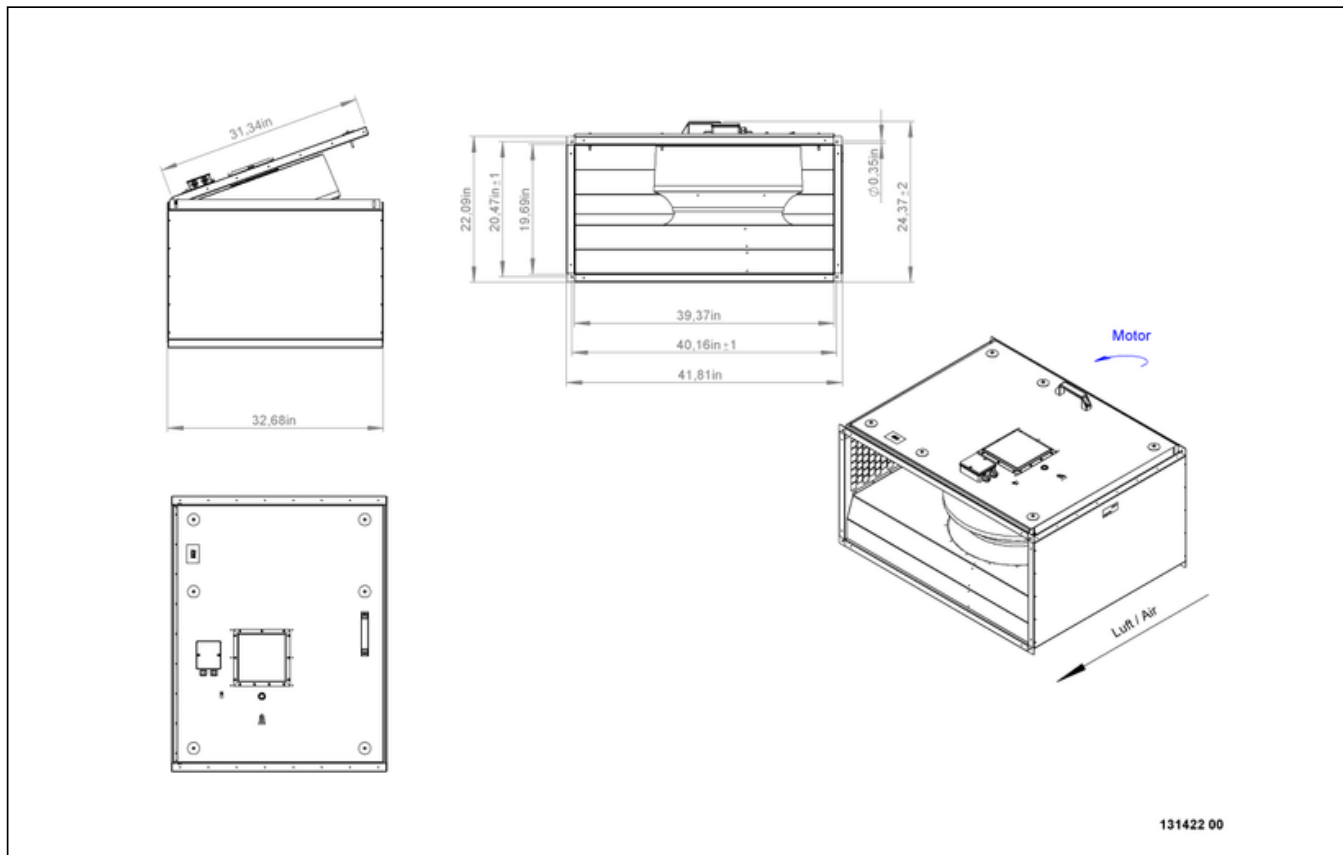
131422



to the product detail page

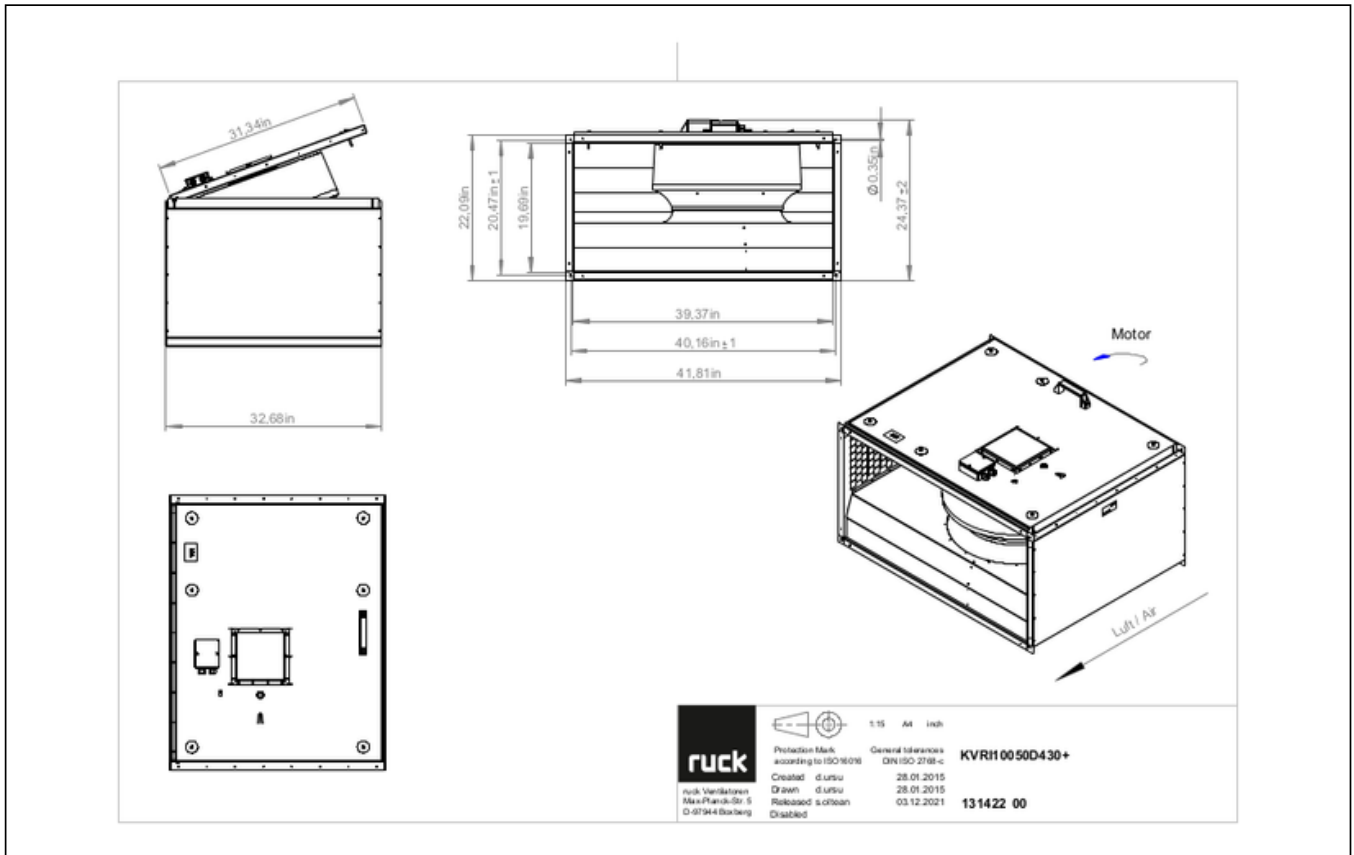
# KVRI 10050 D4 30

131422



# KVRI 10050 D4 30

131422



## MECHANICAL ACCESSORIES

VKK 10050 | 103946

VS 10050 | 103956



- Automatic shutter
- Plastic, weather resistant
- Temperature resistant up to 70 °C



- Duct connector, flexible
- Standard profile flange P20
- Galvanized steel sheet, plastic band (PVC)
- Temperature resistant up to 70 °C



to the product detail page

# KVRI 10050 D4 30

131422

---

## ELECTRICAL ACCESSORIES

GS 03 | 107633



- Device switch
- $U_{max} = 400\text{ V}$ ,  $I_{max} = 25\text{ A}$
- Switching capacity  $400\text{ V } 3\text{-} = 5,5\text{ kW}$
- Protection class IP 55

TDM 060 | 111557



- 5-step transformer
- $400\text{ V } 3\text{-}$ , 50/60 Hz

TDS 060 | 113667



- 7-step transformer
- $400\text{ V } 3\text{-}$ , 50/60 Hz



to the product detail page