

# KVR 10050 D4 30

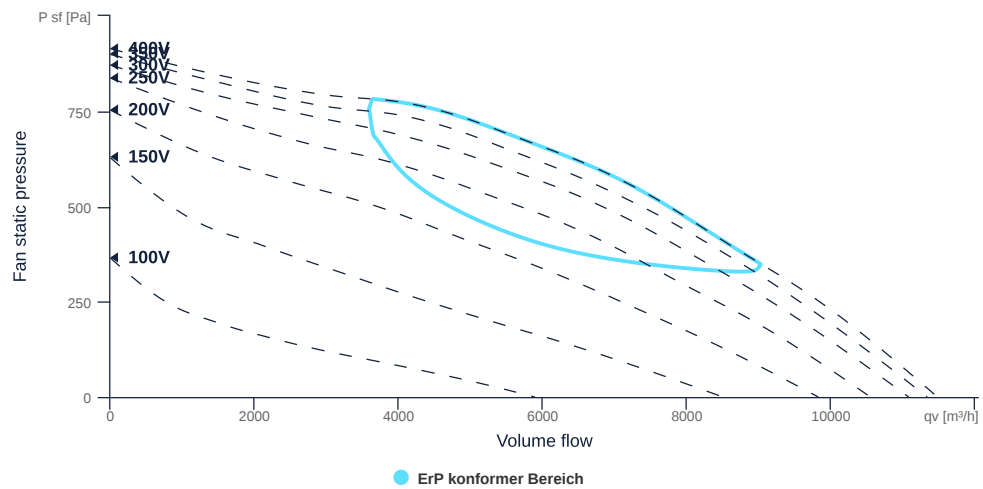
131325

- Backward curved radial impeller
- Removable fan unit
- Housing made of galvanized sheet steel
- Efficient IE3 motor, frequency controllable
- Conveyed medium temperature up to 60 °C in continuous operation



## MAP

Name	Value	Unit
Volume flow	0	m³/h
Pressure	0	Pa



to the product detail page

# KVR 10050 D4 30

131325

**ruck**

## GENERAL DATA

Name	Value	Unit	Formula symbol
Certifications	CE, UKCA		
Duct size	1000x500		WxH <sub>duct</sub>
Pipe connection size (DN)	-		DN
Rated voltage (entire device)	400	V	U <sub>rated</sub>
Phases (entire device)	3~		phase
Electrical protection (entire device)	6 A		fuse
Housing material	Galvanized steel		mat <sub>casing</sub>
Impeller material	Plastic		mat <sub>impeller</sub>
IP-protection class (entire device)	IPX4		IP <sub>compl</sub>
IP-Protection class (terminal box)	IP44		IP <sub>ebox</sub>
Weight	69.5	kg	m
Nominal air flow rate, nominal point m <sup>3</sup> /h	7700.4	m <sup>3</sup> /h	q <sub>v,nom</sub>
Nominal external pressure, static	425	Pa	p <sub>s,nom</sub>
Fan type	Radial		Fan <sub>type</sub>
Category / Installation situation	A		cat

## ERP DATA (LOT 6)

Name	Value	Unit	Formula symbol
Nominal air flow rate, nominal point m <sup>3</sup> /s	2.14	m <sup>3</sup> /s	q <sub>v,nom</sub>
Actual electrical input power, nominal point	1.85	kW	P <sub>e,nom</sub>
Face velocity, nominal point	4.28	m/s	v <sub>nom</sub>
Nominal external pressure, static	425	Pa	p <sub>s,nom</sub>
supply air fan static efficiency, nominal point	54	%	η <sub>es,SUP</sub>
Enclosure sound level, nominal point	77	dB(A)	L <sub>WA2</sub>
Rating	Product is compliant 2018		



# KVR 10050 D4 30

131325

**ruck**

## MAXIMAL DATA

Name	Value	Unit	Formula symbol
Max. power consumption (device)	1867	W	$P_{ed, max}$
Max. operating current (device)	4.68	A	$I_{ed, max}$
Max. speed	1460	1/min	$n_{max}$
Max. stat. efficiency	55.7	%	$\eta_{es}$
Max. fan efficiency	56.5	%	$\eta_e$
Max. flowrate	11460	m <sup>3</sup> /h	$Q_{v, max}$
Max. stat pressure	910	Pa	$p_{sf, max}$
Max. medium temperature	60	°C	$T_{m, max}$
Max. environment temperature	60	°C	$T_{amb, max}$
Min. environment temperature	-30	°C	$T_{amb, min}$
Min. voltage	100	V	$U_{min}$



to the product detail page

# KVR 10050 D4 30

131325

ruck

## MOTOR DATA

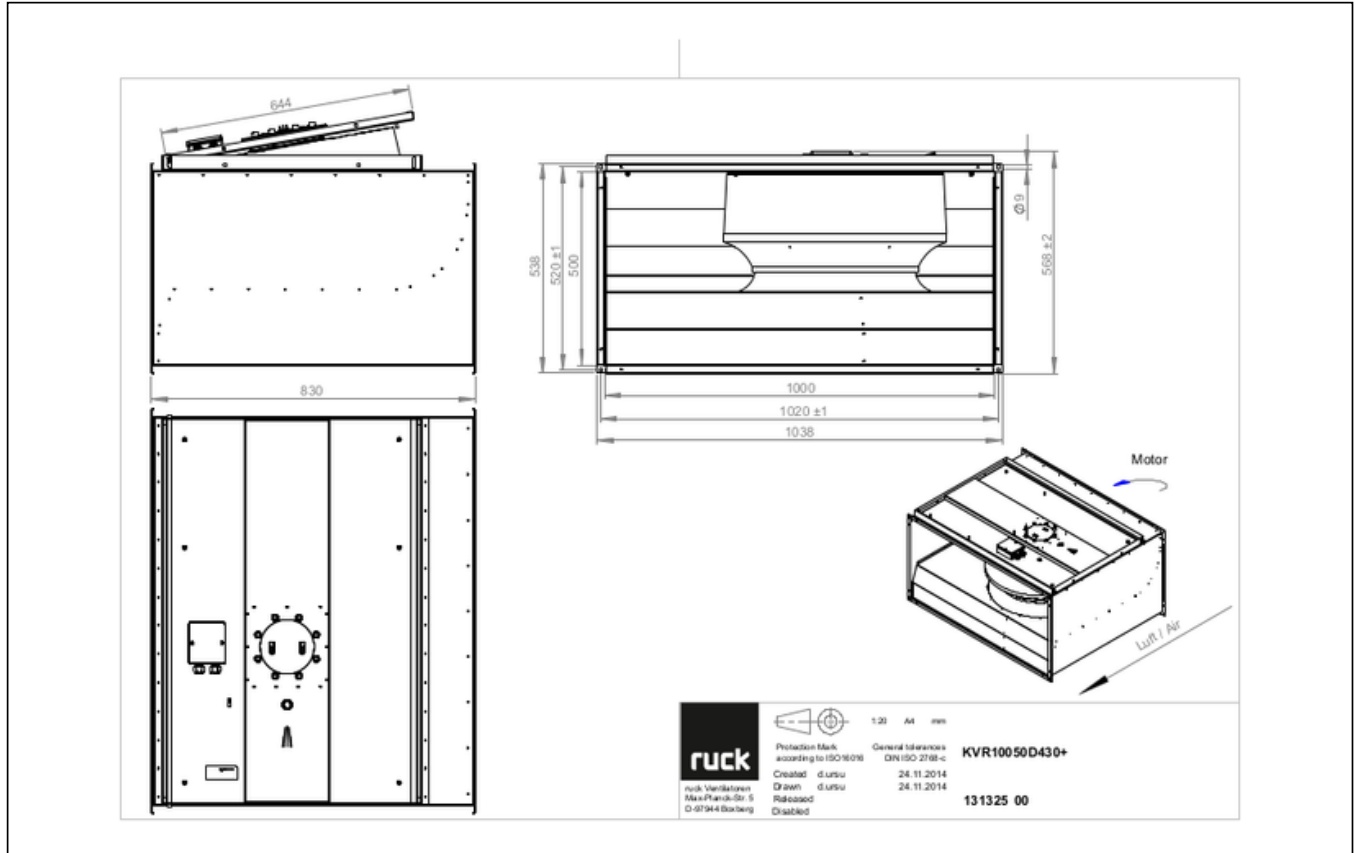
Name	Value		Unit	Formula symbol
	50 Hz	60 Hz		
Rated frequency (device)		50		f
Motor type		AC 3-		phase
Control type		stepless-controlled		ctrltype
Installation type		ORM (Out)		install
Rotation direction		right		rotation
Isolation class		ISO F		ISOclass
Motor-protection		TAE		protectmotor
Protection class		IP54		IPmotor
Is pole-changeable		No		polexch
Type of power supply		AC 3-		pwrsupmotor
Number of poles (1)		4.000000		num polesw1
Connection	Δ	Δ		wiringw1
Connection (wiring 2)	Y	Y		wiringw2
Rated voltage	230	230	V	U <sub>rated, f1</sub>
Rated voltage (wiring 2)	400	400	V	U <sub>rated, f2</sub>
Rated current	6.9	8.93	A	I <sub>rated, f1</sub>
Rated current (wiring 2)	3.98	5.16	A	I <sub>rated, f2</sub>
Speed	1390	1560	1/min	n <sub>f1</sub>
Speed (wiring 2)	1390	1560	1/min	n <sub>f2</sub>
Starting current	47	35	A	I <sub>start, f1</sub>
Starting current (wiring 2)	27	20	A	I <sub>start, f2</sub>
Efficiency	54.7	54.7	%	η <sub>m, f1</sub>
Efficiency (wiring 2)	54.7	54.7	%	η <sub>m, f2</sub>
Min. temperature	-40		°C	T <sub>motor, min</sub>
UL-Certification motor		None		ULcert



# KVR 10050 D4 30

131325

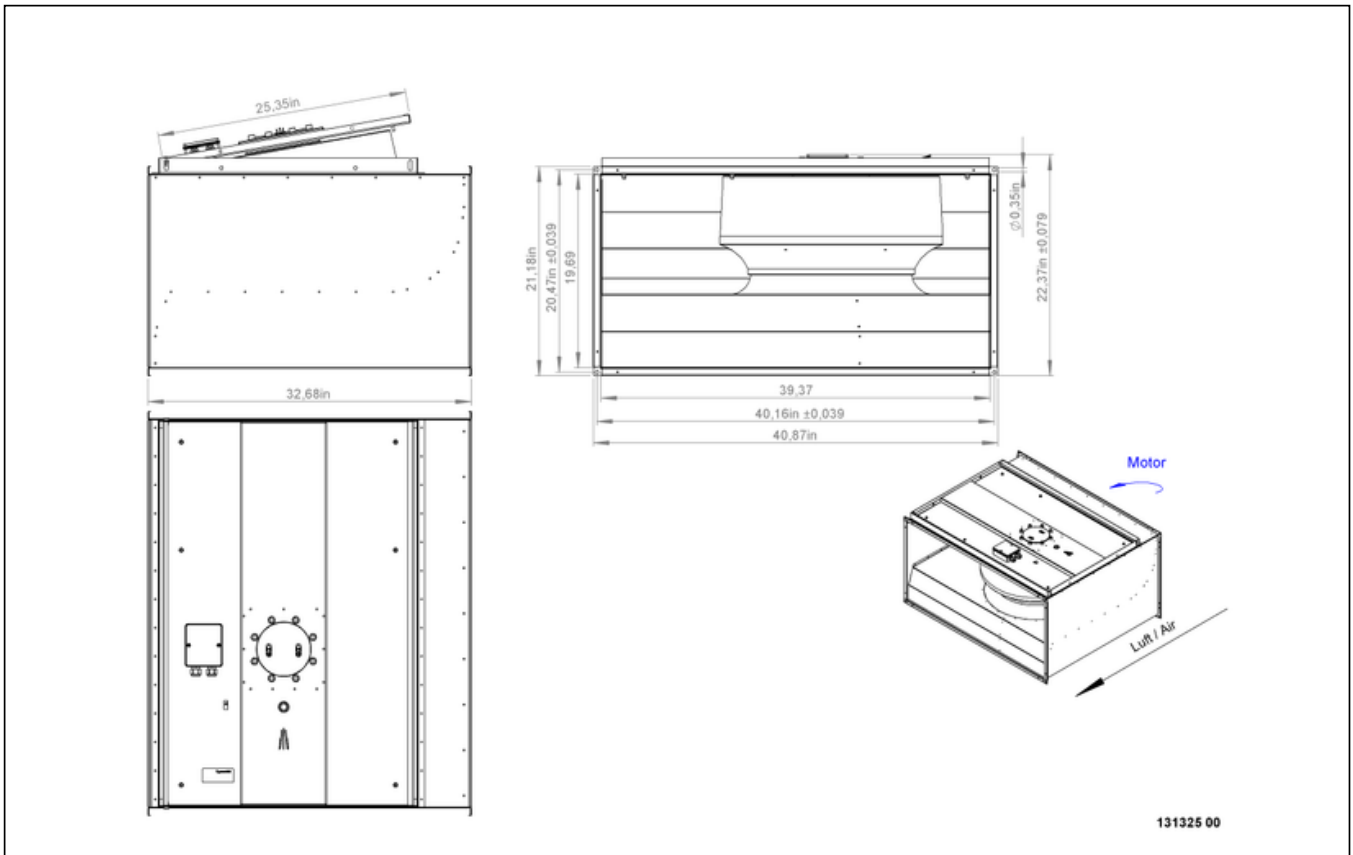
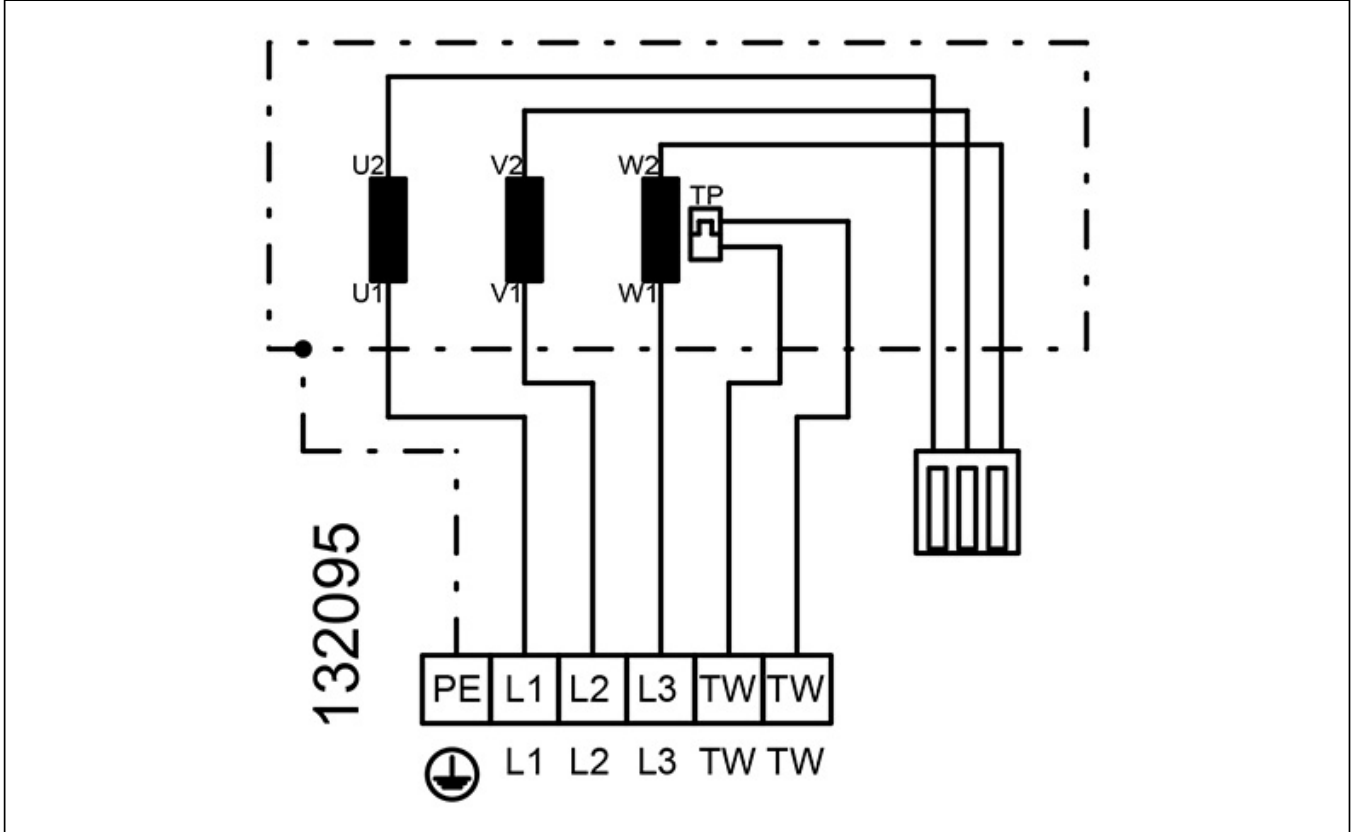
## CIRCUIT DIAGRAMS / DIMENSIONAL DRAWINGS



to the product detail page

# KVR 10050 D4 30

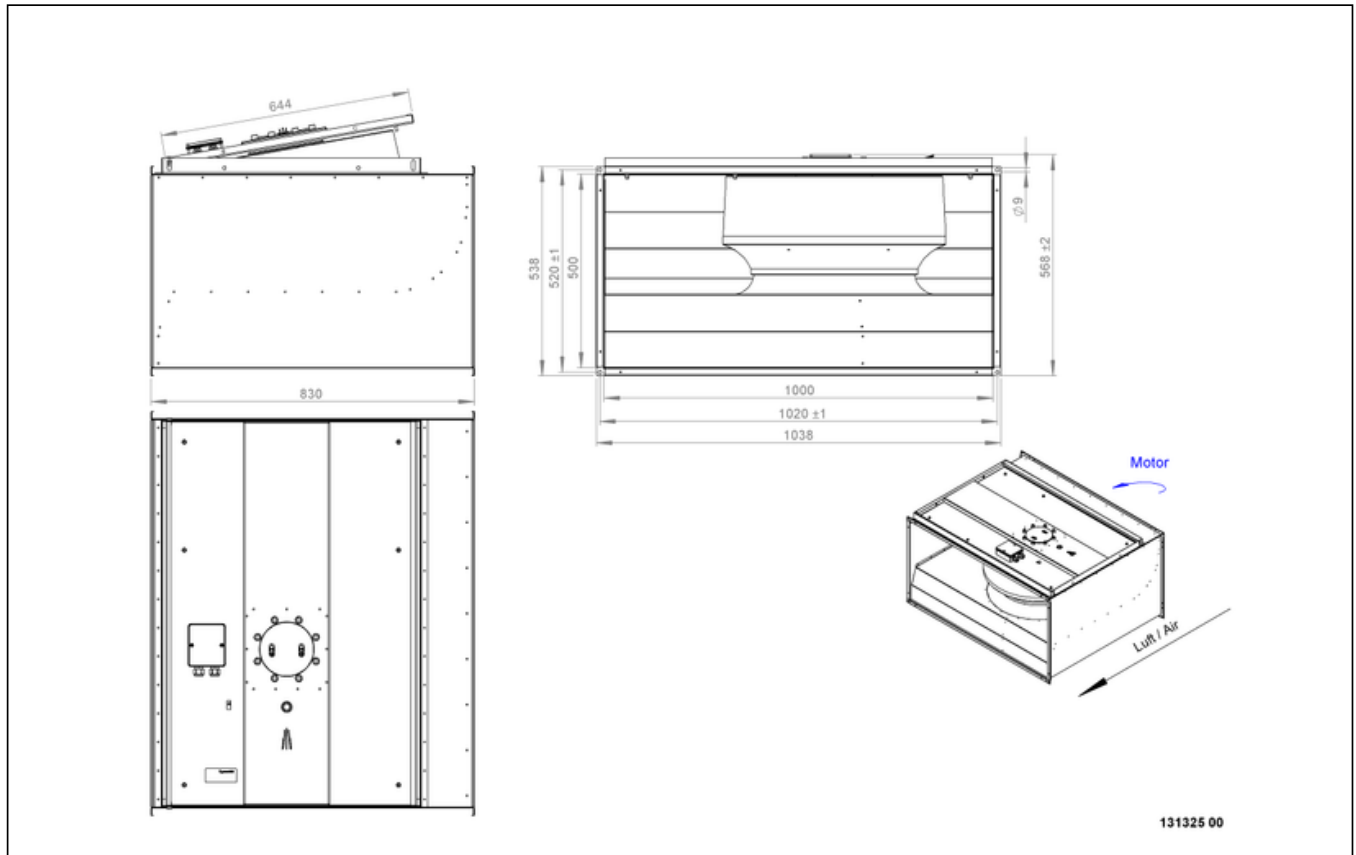
131325



to the product detail page

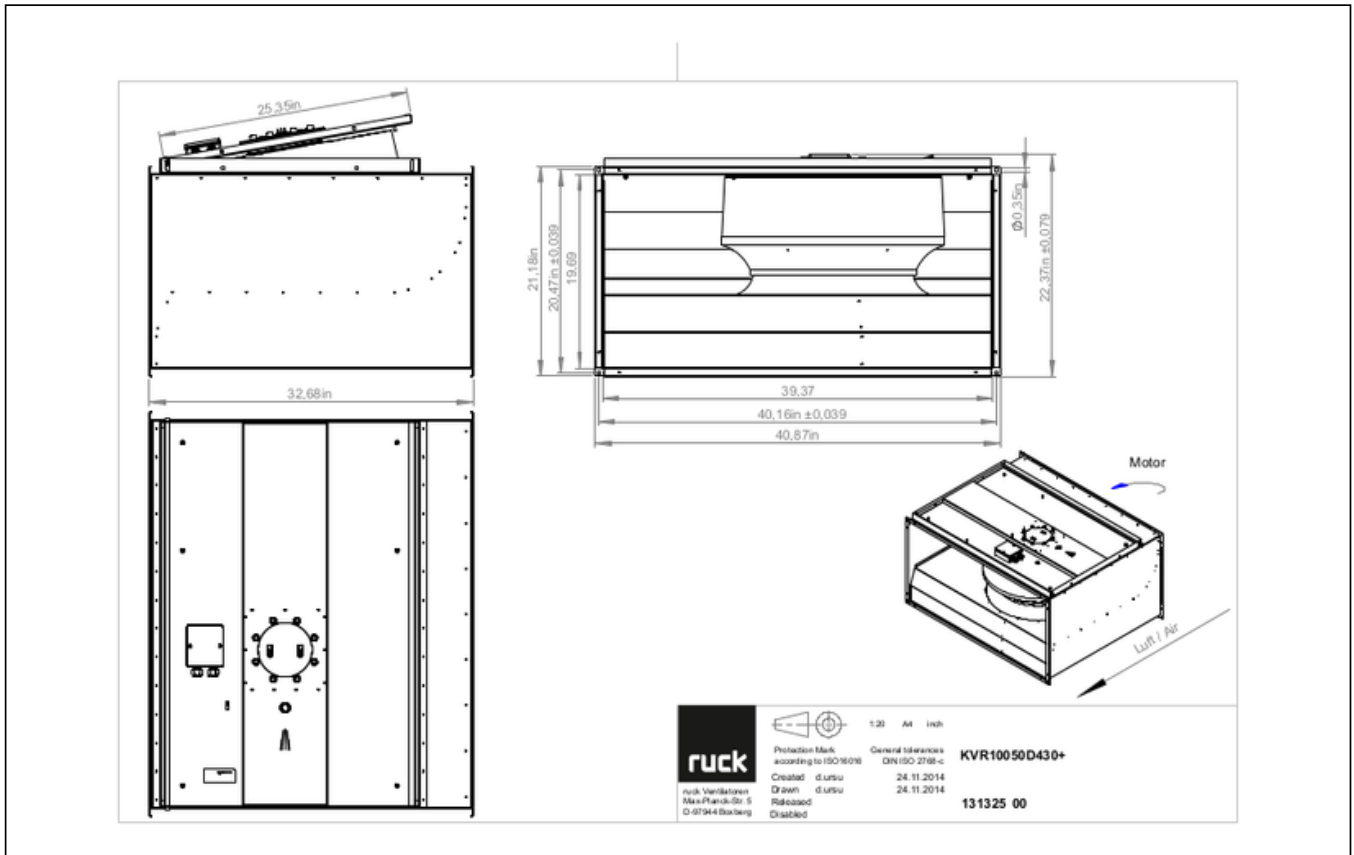
# KVR 10050 D4 30

131325



# KVR 10050 D4 30

131325



## MECHANICAL ACCESSORIES

VKK 10050 | 103946



- Automatic shutter
- Plastic, weather resistant
- Temperature resistant up to 70 °C

VS 10050 | 103956



- Duct connector, flexible
- Standard profile flange P20
- Galvanized steel sheet, plastic band (PVC)
- Temperature resistant up to 70 °C



to the product detail page



# KVR 10050 D4 30

131325

---

## ELECTRICAL ACCESSORIES

GS 03 | 107633



- Device switch
- $U_{max} = 400\text{ V}$ ,  $I_{max} = 25\text{ A}$
- Switching capacity  $400\text{ V } 3\text{-} = 5,5\text{ kW}$
- Protection class IP 55

TDM 060 | 111557



- 5-step transformer
- $400\text{ V } 3\text{-}$ , 50/60 Hz

TDS 060 | 113667



- 7-step transformer
- $400\text{ V } 3\text{-}$ , 50/60 Hz



to the product detail page