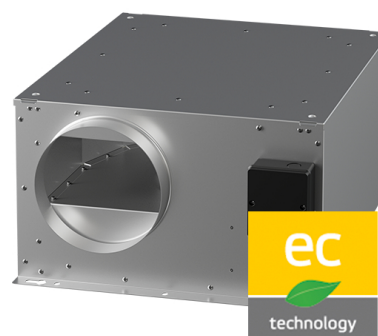
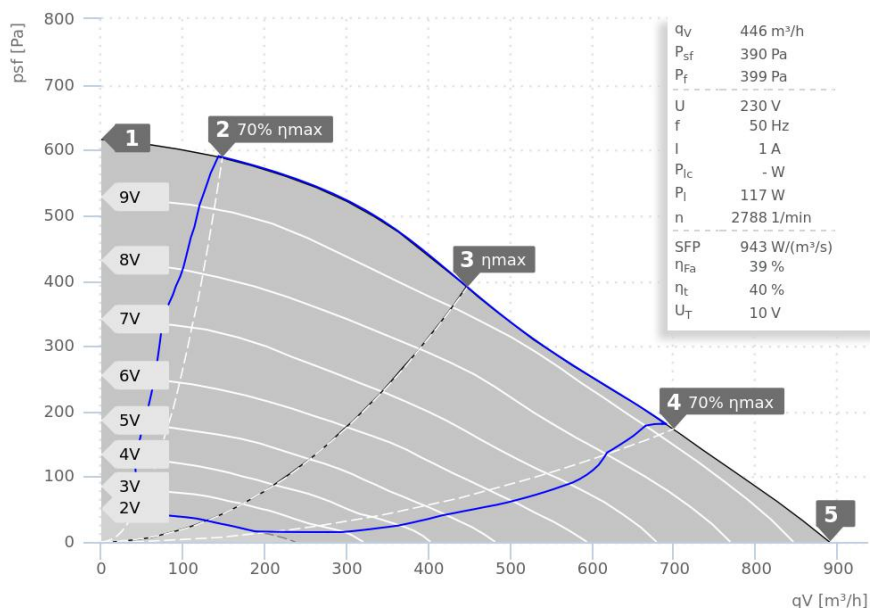


# DATA SHEET

## ISORX 200 EC 20 | 162141

**ruck**.eu  
VENTILATOREN



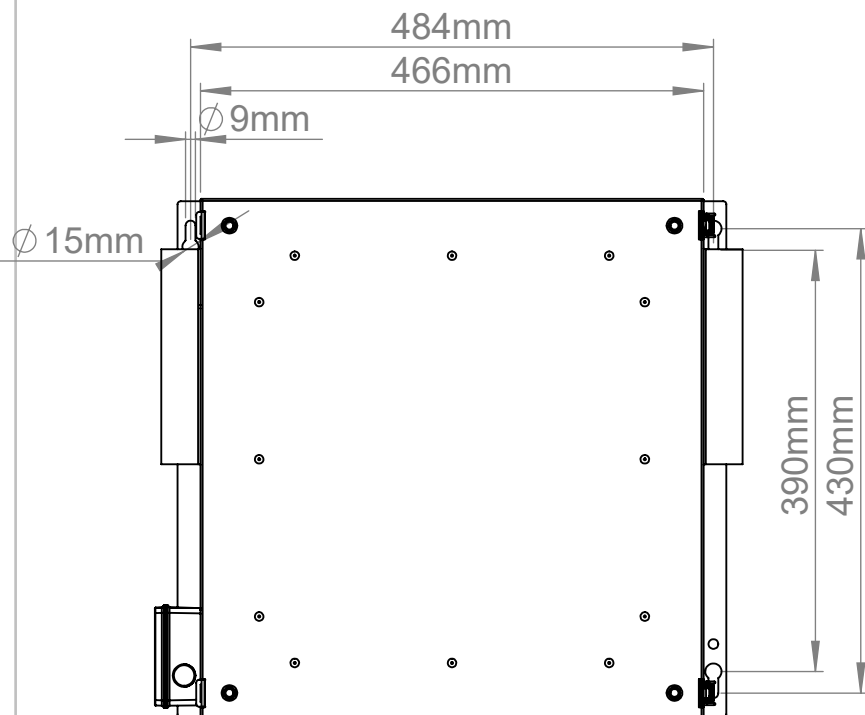
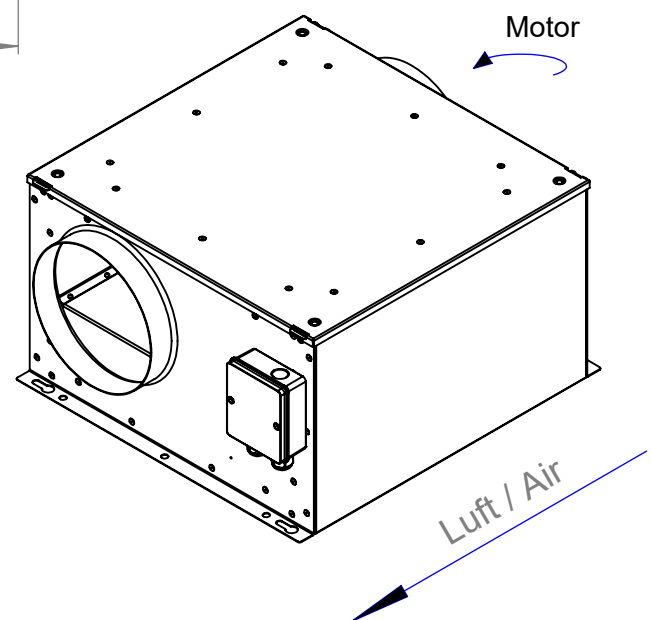
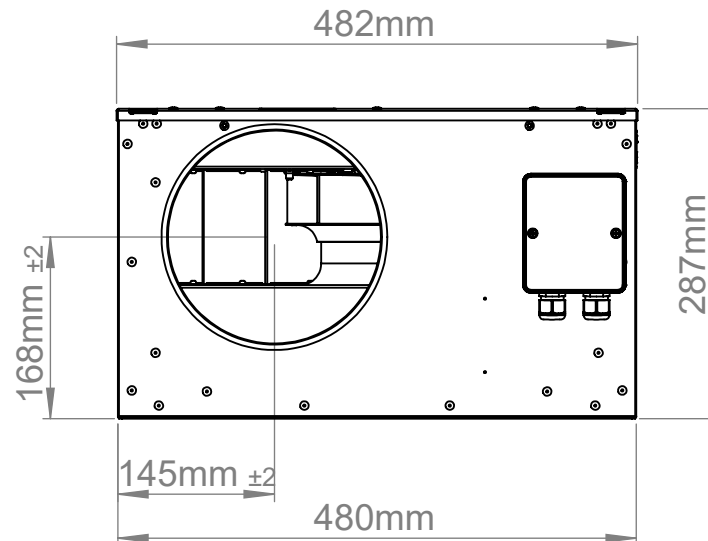
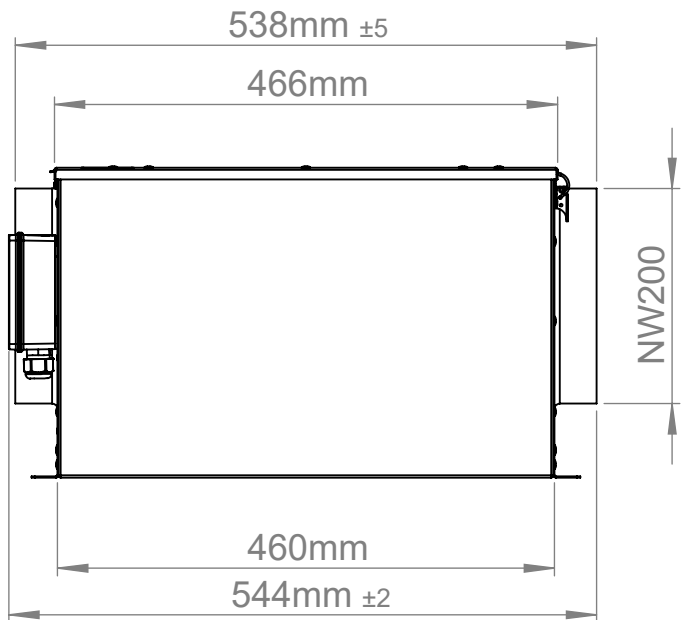
- Backward curved centrifugal fan
- EC motor
- Integrated electronic
- Galvanized metal housing
- Sound insulated

— ErP compliant range

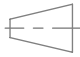

Operating Point		1	2	3	4	5
Current $I$	A	0,5	0,7	1,0	0,9	0,9
Power consumption $P_i$	W	56	84	117	114	116
Rotation speed $n$	1/min	2921	2910	2789	2737	2809
SWL inlet $L_{WA5}$	dB(A)	61	62	63	65	68
SWL outlet $L_{WA6}$	dB(A)	76	75	74	77	80
SWL housing break out $L_{WA2}$	dB(A)	59	58	58	62	64

Sound power ( $L_W$ ) dB(A)		Medium Frequency Band								
		$\Sigma$	63	125	250	500	1k	2k	4k	8k
Inlet	$L_{WA5}$	63	41	49	62	53	47	42	41	32
Outlet	$L_{WA6}$	74	39	55	67	70	68	66	60	50
Housing radiation	$L_{WA2}$	58	40	48	54	54	44	40	37	30

ISORX 200 EC 20   162141	
Voltage $U_N$	230 V 1~
Current $I_{max}$	1,0 A
Ambient temperature $t_A$	60 °C
Conveyed medium temperature $t_M$	60 °C
Speed Control	0-10V
Motor protection	TEC
Insulation class motor	F
Weight	16,1 kg
Number of poles	-
IP motor	IP54
IP terminal box	-
IP complete unit	-
Min. operating temperature	-30 °C



**ruck**<sup>eu</sup>  
VENTILATOREN  
ruck Ventilatoren  
Max-Planck-Str. 5  
D-97944 Boxberg

  1:7 A4 mm  
Protection Mark according to ISO16016 General tolerances according to DIN ISO 2768-c  
Created h.sachsenheimer 10.03.2022  
Drawn h.sachsenheimer 10.03.2022  
Released h.sachsenheimer 16.03.2022  
Disabled

**ISORX200EC20**

**162141 00**

**VENTAS**  
VENTILATORER