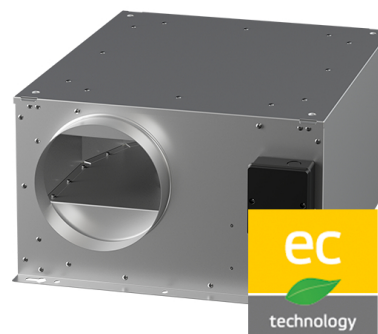
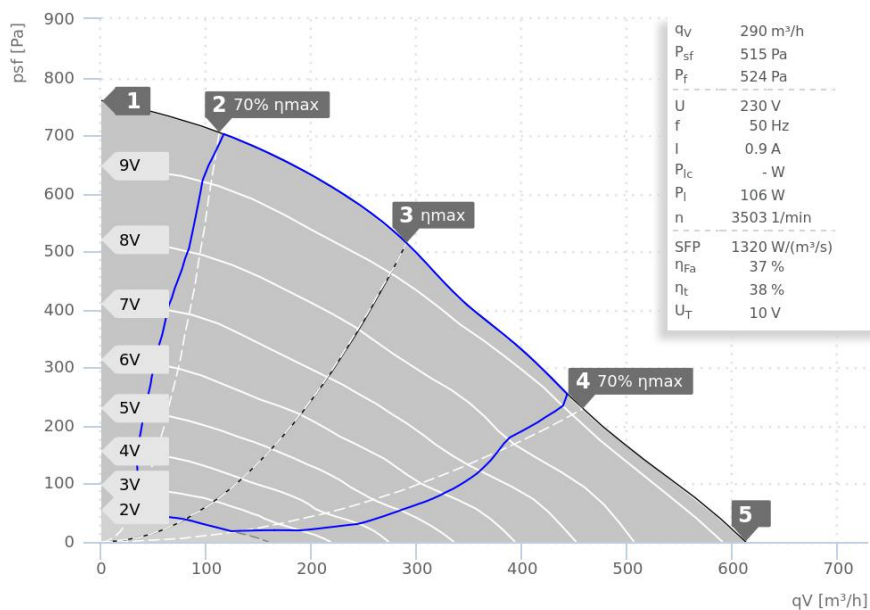


DATA SHEET

ISORX 160 EC 20 | 162138



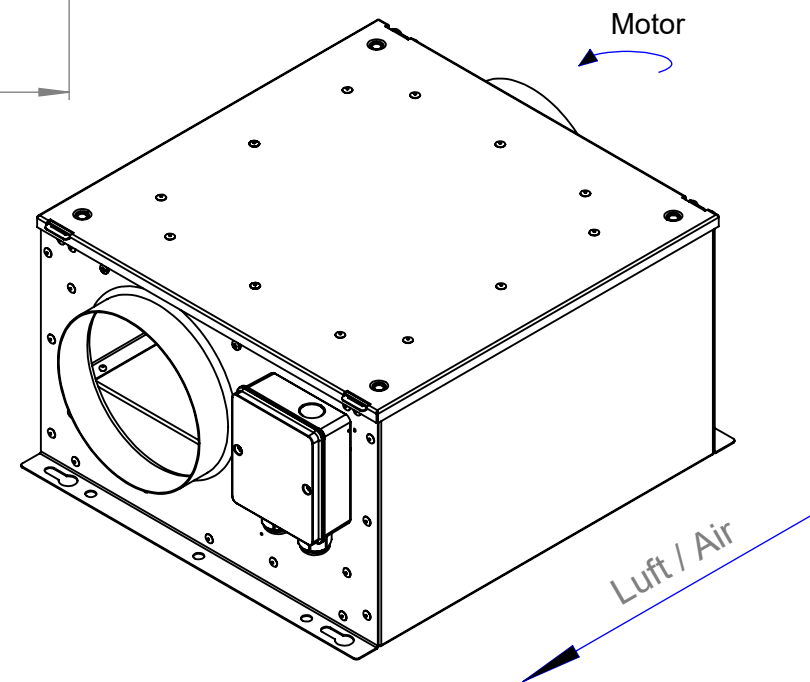
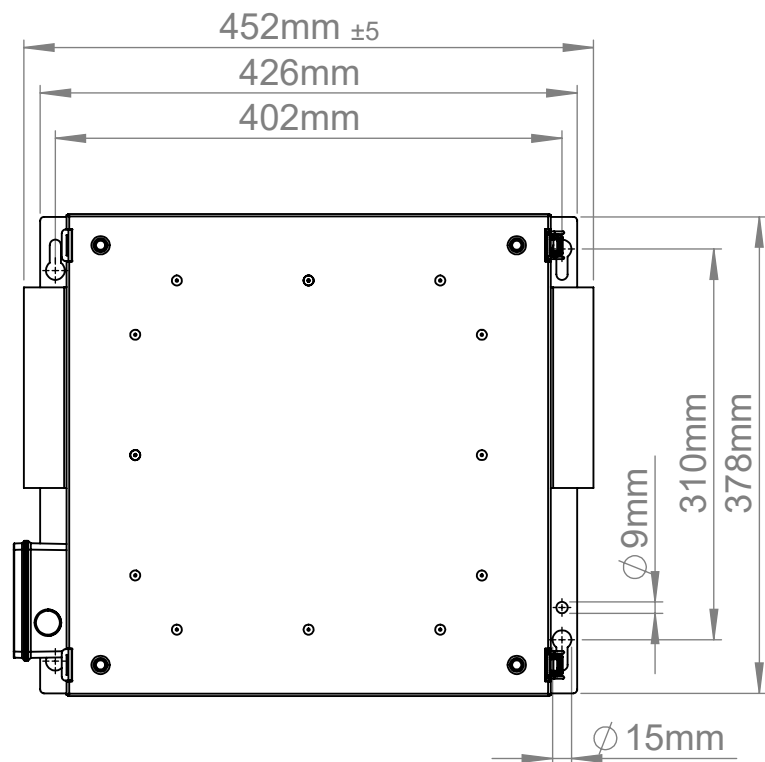
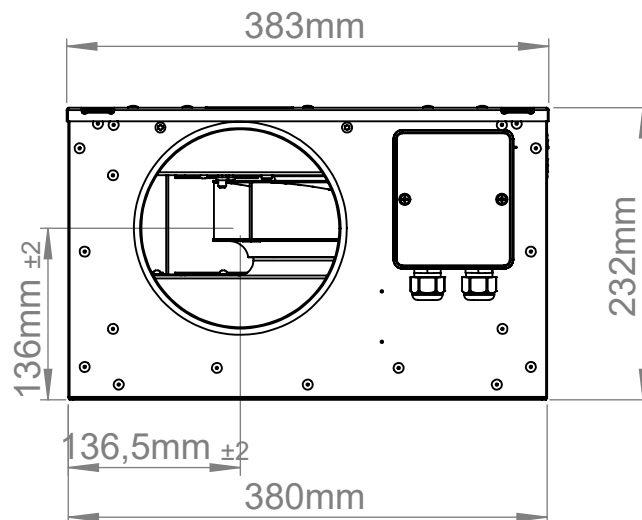
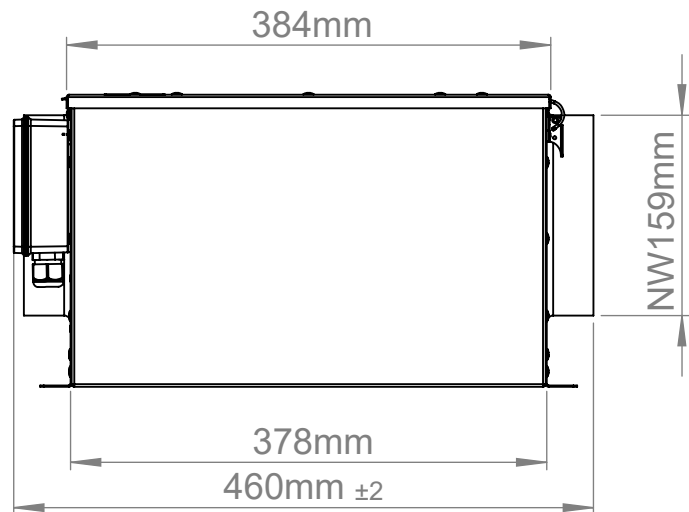
- Backward curved centrifugal fan
- EC motor
- Integrated electronic
- Galvanized metal housing
- Sound insulated

— ErP compliant range

Operating Point		1	2	3	4	5
Current I	A	0,5	0,7	0,9	0,8	0,8
Power consumption P_1	W	61	83	106	106	106
Rotation speed n	1/min	3627	3572	3503	3417	3444
SWL inlet L_{WA5}	dB(A)	64	64	64	66	69
SWL outlet L_{WA6}	dB(A)	77	77	77	80	82
SWL housing break out L_{WA2}	dB(A)	66	63	59	61	64

Sound power (L_W) dB(A)		Medium Frequency Band								
		Σ	63	125	250	500	1k	2k	4k	8k
Inlet	L_{WA5}	64	43	55	57	62	49	47	45	40
Outlet	L_{WA6}	77	38	54	65	73	72	68	63	57
Housing radiation	L_{WA2}	59	38	53	51	57	48	42	41	35

ISORX 160 EC 20 162138	
Voltage U_N	230 V 1~
Current I_{max}	0,9 A
Ambient temperature t_A	60 °C
Conveyed medium temperature t_M	60 °C
Speed Control	0-10V
Motor protection	TEC
Insulation class motor	F
Weight	10,9 kg
Number of poles	-
IP motor	IP54
IP terminal box	-
IP complete unit	-
Min. operating temperature	-30 °C



ruck Ventilatoren
Max-Planck-Str. 5
D-97944 Boxberg



1:6 A4 mm

Protection Mark according to ISO16016
General tolerances according to DIN ISO 2768-c

Created h.sachsenheimer 10.03.2022
Drawn h.sachsenheimer 10.03.2022
Released h.sachsenheimer 16.03.2022
Disabled

ISORX160EC20

162138 00

