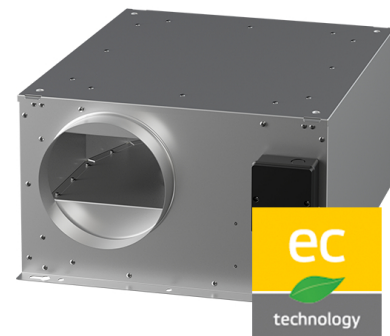
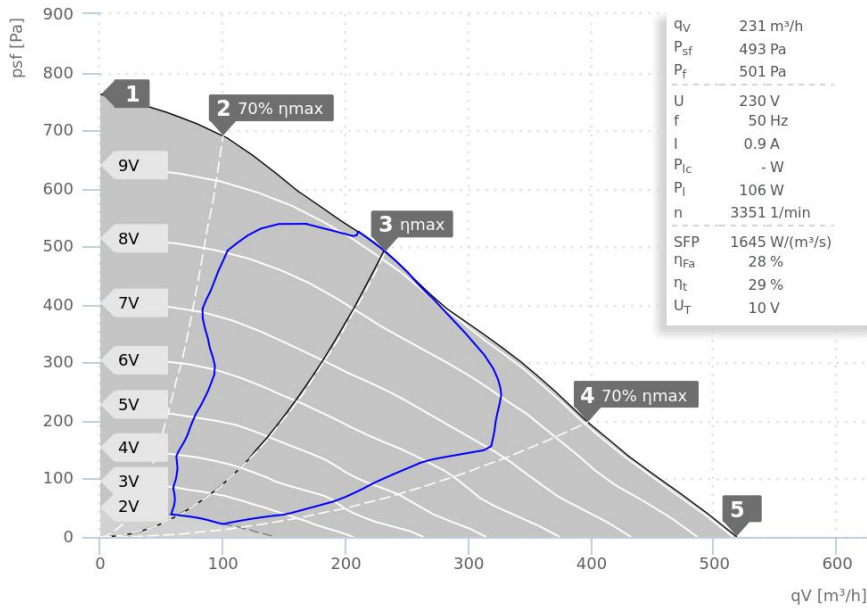


# DATA SHEET

## ISORX 150 EC 20 | 162135



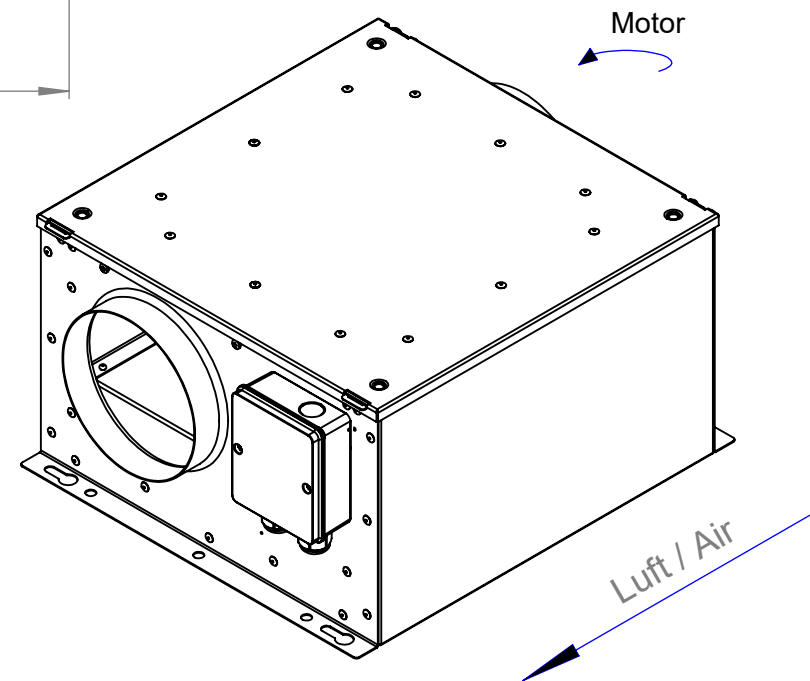
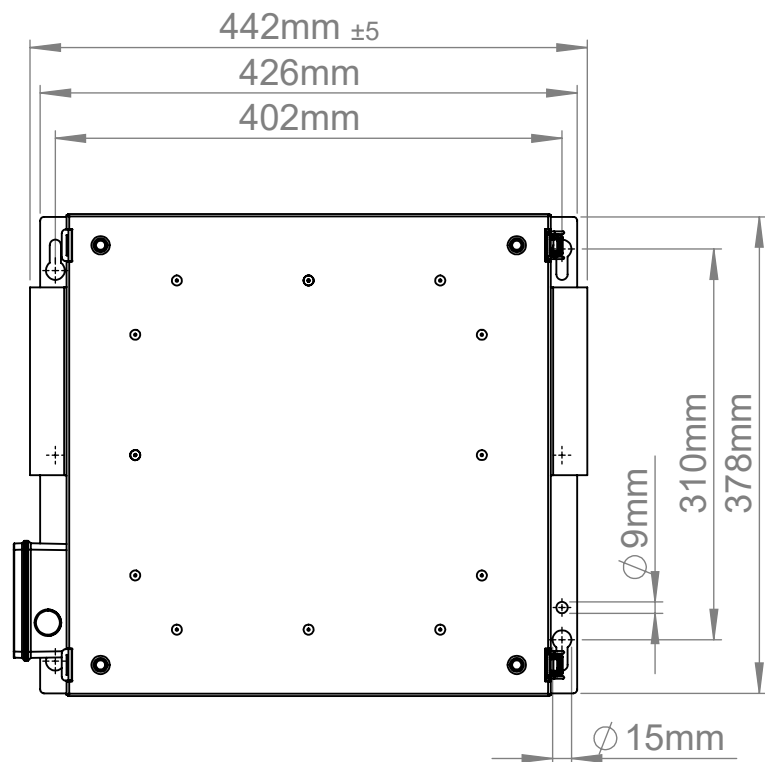
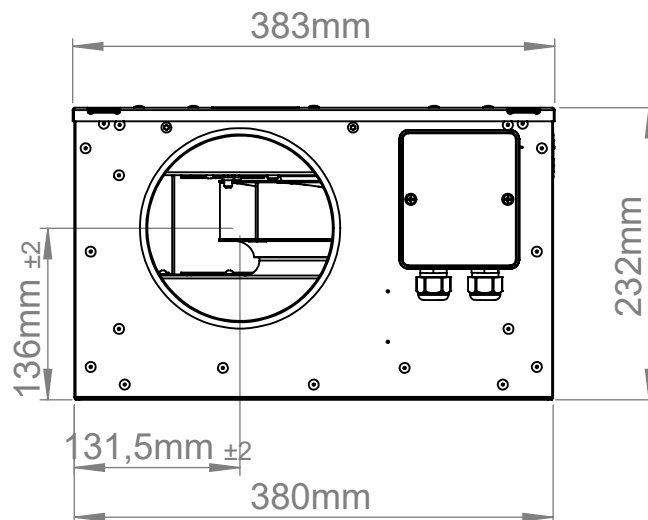
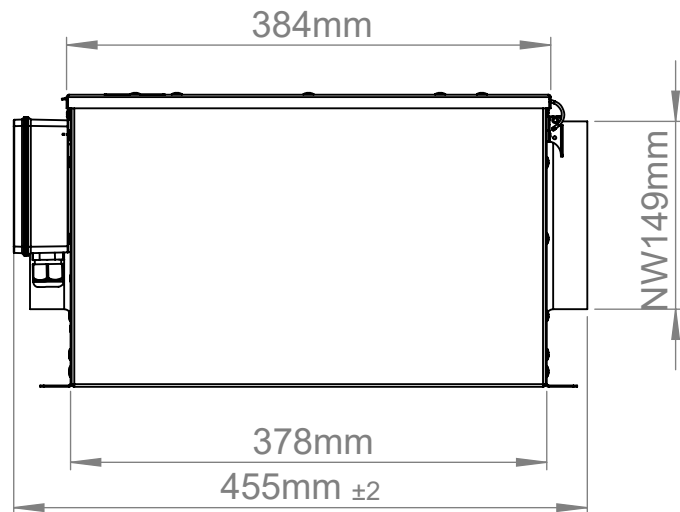
- Backward curved centrifugal fan
- EC motor
- Integrated electronic
- Galvanized metal housing
- Sound insulated

— ErP compliant range

Operating Point		1	2	3	4	5
Current $I$	A	0,7	0,8	0,9	0,9	0,8
Power consumption $P_i$	W	80	94	106	104	102
Rotation speed $n$	1/min	3636	3522	3350	3194	3178
SWL inlet $L_{WA5}$	dB(A)	62	62	61	64	67
SWL outlet $L_{WA6}$	dB(A)	75	75	75	79	81
SWL housing break out $L_{WA2}$	dB(A)	60	59	59	60	62

Sound power ( $L_W$ ) dB(A)		Medium Frequency Band								
		$\Sigma$	63	125	250	500	1k	2k	4k	8k
Inlet	$L_{WA5}$	61	42	52	55	58	47	44	43	38
Outlet	$L_{WA6}$	75	36	54	63	71	71	67	62	56
Housing radiation	$L_{WA2}$	59	37	52	51	56	48	41	40	35

ISORX 150 EC 20   162135	
Voltage $U_N$	230 V 1~
Current $I_{max}$	0,9 A
Ambient temperature $t_A$	60 °C
Conveyed medium temperature $t_M$	60 °C
Speed Control	0-10V
Motor protection	TEC
Insulation class motor	F
Weight	10,9 kg
Number of poles	-
IP motor	IP54
IP terminal box	-
IP complete unit	-
Min. operating temperature	-30 °C



ruck Ventilatoren  
Max-Planck-Str. 5  
D-97944 Boxberg



1:6 A4 mm

Protection Mark  
according to ISO16016

General tolerances  
DIN ISO 2768-c

**ISORX150EC20**

Created h.sachsenheimer 10.03.2022  
Drawn h.sachsenheimer 10.03.2022  
Released h.sachsenheimer 16.03.2022  
Disabled

**162135 00**

