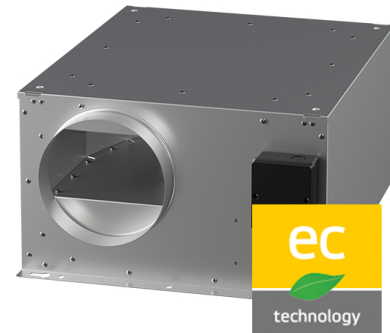
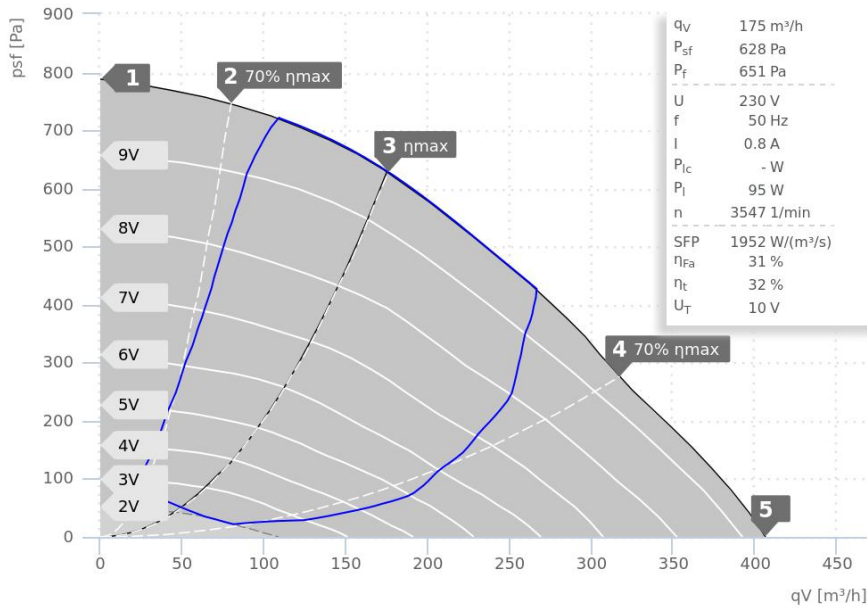


DATA SHEET

ISORX 100 EC 20 | 162129



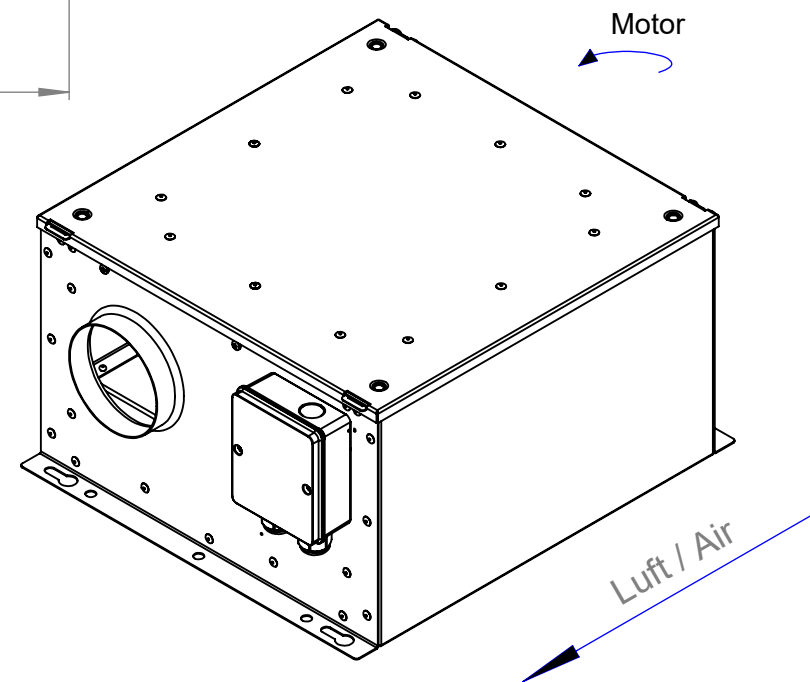
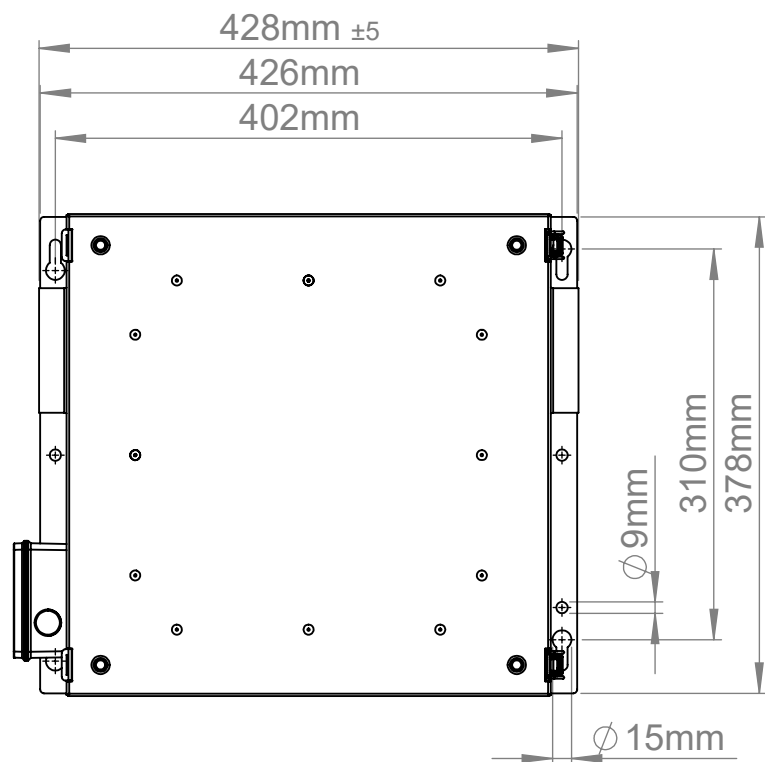
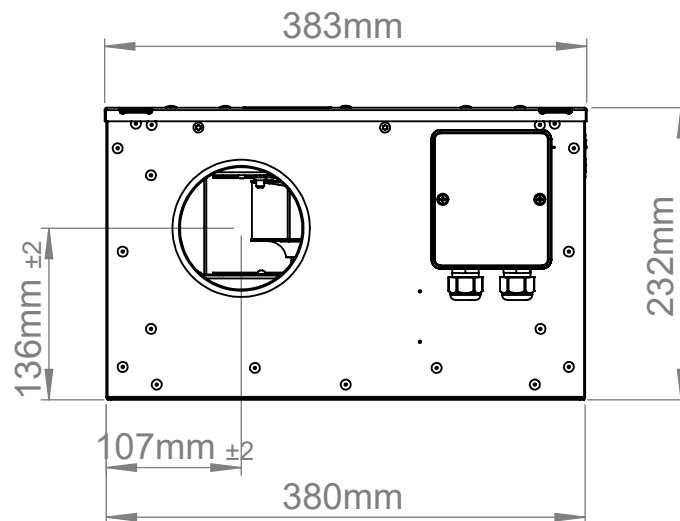
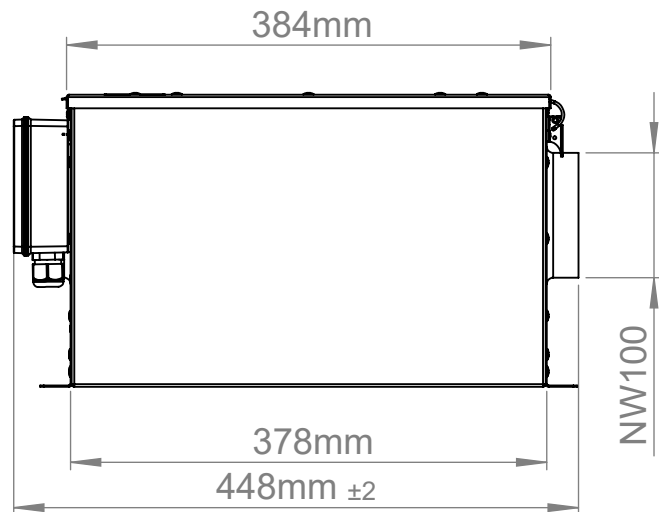
- Backward curved centrifugal fan
- EC motor
- Integrated electronic
- Galvanized metal housing
- Sound insulated

— ErP compliant range

Operating Point		1	2	3	4	5
Current I	A	0,4	0,6	0,8	0,8	0,8
Power consumption P_i	W	55	74	95	106	105
Rotation speed n	1/min	3609	3574	3551	3455	3410
SWL inlet L_{WA5}	dB(A)	61	61	61	62	65
SWL outlet L_{WA6}	dB(A)	76	76	75	76	77
SWL housing break out L_{WA2}	dB(A)	60	60	60	62	63

Sound power (L_W) dB(A)		Medium Frequency Band								
		Σ	63	125	250	500	1k	2k	4k	8k
Inlet	L_{WA5}	61	47	53	54	58	46	44	44	39
Outlet	L_{WA6}	75	41	55	61	72	69	67	63	56
Housing radiation	L_{WA2}	60	43	50	50	55	54	52	48	41

ISORX 100 EC 20 162129	
Voltage U_N	230 V 1~
Current I_{max}	0,9 A
Ambient temperature t_A	60 °C
Conveyed medium temperature t_M	60 °C
Speed Control	0-10V
Motor protection	TEC
Insulation class motor	F
Weight	10,9 kg
Number of poles	-
IP motor	IP54
IP terminal box	-
IP complete unit	-
Min. operating temperature	-30 °C



ruck^{eu}
VENTILATOREN
ruck Ventilatoren
Max-Planck-Str. 5
D-97944 Boxberg



1:6 A4 mm

Protection Mark according to ISO16016
General tolerances according to DIN ISO 2768-c
Created h.sachsenheimer 14.03.2022
Drawn h.sachsenheimer 14.03.2022
Released h.sachsenheimer 16.03.2022
Disabled

ISORX100EC20

162129 00

VENTAS
VENTILATORER