



- Backward curved centrifugal fan
- Voltage controllable
- Integrated thermal contact
- Maintenance-free, long-life ball bearings
- Galvanized sheet steel housing

Fully insulated fan box

This series is supplied with high-quality, noise absorbing mineral insulation material on all sides and thus provides maximum noise reduction.

High quality mineral insulation material

The rock wool insulating material used has a high spatial density of 88 kg/m³, which also absorb lower frequencies much better. The glass fiber sealed surface prevents until 36 m/s flow velocity the escape of fibers. The insulation fulfills fire classification A2.

Swing out fan section

For maintenance work the backward curved impeller fan can be tilted out. Backward curved impeller radial fans have compared to forward curved impeller radial fans a slightly higher efficiency and are more resistant to soiling.



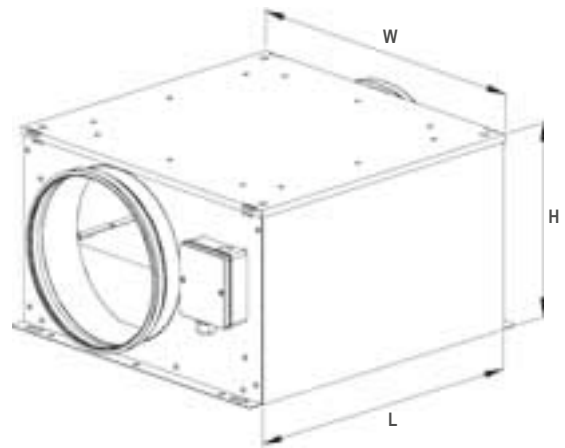
Fully insulated

Insulation is recessed in sheet metal frame.

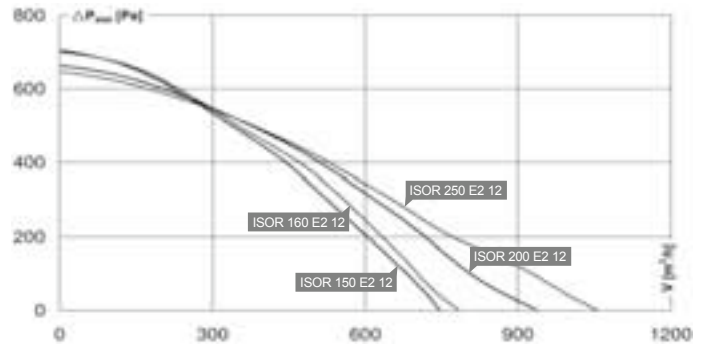
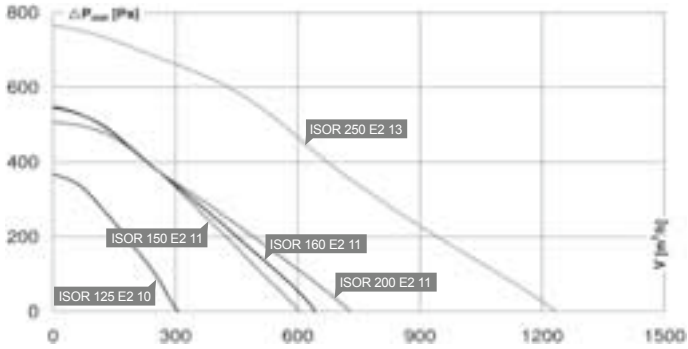


Swing out fan section

For cleaning the fans can be tilted out.



| Type | ID | U | f | L _{WA2} | L _{WA5} | η _{fa} | η _t | L | W | H | Weight [kg] | Wiring diagram |
|----------------|--------|---------|------|------------------|------------------|-----------------|----------------|------|------|------|----------------|-------------------|
| | | [V] | [Hz] | [dB (A)] | [dB (A)] | [%] | [%] | [mm] | [mm] | [mm] | | |
| ISOR 125 E2 10 | 114873 | 230V ~ | 50 | 49 | 56 | 13,8 | 14,3 | 384 | 383 | 232 | 11,4 | 120751 |
| ISOR 150 E2 11 | 114882 | 230V ~ | 50 | 55 | 58 | 26,6 | 27,7 | 466 | 482 | 287 | 17,9 | 116985 |
| ISOR 150 E2 12 | 114883 | 230V ~ | 50 | 56 | 60 | 26,2 | 27,7 | 466 | 482 | 287 | 18,4 | 116985 |
| ISOR 160 E2 11 | 114884 | 230V ~ | 50 | 52 | 55 | 27,1 | 28,1 | 466 | 482 | 287 | 17,6 | 116985 |
| ISOR 160 E2 12 | 114885 | 230V ~ | 50 | 56 | 60 | 27,5 | 29,0 | 466 | 482 | 287 | 18,6 | 116985 |
| ISOR 200 E2 11 | 114886 | 230V ~ | 50 | 56 | 60 | 28,4 | 29,1 | 466 | 482 | 287 | 17,6 | 116985 |
| ISOR 200 E2 12 | 114887 | 230V ~ | 50 | 55 | 59 | 29,9 | 30,6 | 466 | 482 | 287 | 18,5 | 116985 |
| ISOR 250 E2 12 | 114889 | 230V ~ | 50 | 54 | 60 | 30,1 | 30,4 | 466 | 482 | 287 | 18,4 | 116985 |
| ISOR 250 E2 13 | 114857 | 230V ~ | 50 | 56 | 61 | 28,0 | 28,0 | 516 | 542 | 386 | 25,4 | 116985 |
| ISOR 315 E2 13 | 114858 | 230V ~ | 50 | 56 | 62 | 25,1 | 25,3 | 516 | 542 | 386 | 24,9 | 116985 |
| ISOR 355 D4 10 | 114865 | 400V 3~ | 50 | 60 | 66 | 38,0 | 41,0 | 656 | 682 | 491 | 44,5 | 117140 |
| ISOR 400 D4 10 | 114866 | 400V 3~ | 50 | 59 | 67 | 40,0 | 42,0 | 656 | 682 | 491 | 43,8 | 117140 |
| ISOR 450 D4 01 | 106651 | 400V 3~ | 50 | 59 | 68 | 37,8 | 38,4 | 800 | 780 | 548 | 69,5 | 117140 |



| | 125 mm | EUR | 150 mm | EUR | 160 mm | EUR | 200 mm | EUR | 250 mm | EUR |
|-------|--|-------|---|-------|---|-------|---|-------|--|-------|
| MIRV. | ISOR 125 E2 10 ID 114873 | 340,- | ISOR 150 E2 11 ID 114882 | 450,- | ISOR 160 E2 11 ID 114884 | 450,- | ISOR 200 E2 11 ID 114886 | 452,- | ISOR 250 E2 13 ID 114857 | 630,- |
| | 230V ~/50Hz 50 °C 310 m³/h 67 W 0,3 A 56/62/49 db(A) | | 230V ~/50Hz 75 °C 605 m³/h 103 W 0,5 A 58/67/55 db(A) | | 230V ~/50Hz 75 °C 640 m³/h 103 W 0,5 A 55/66/52 db(A) | | 230V ~/50Hz 80 °C 730 m³/h 100 W 0,5 A 60/74/56 db(A) | | 230V ~/50Hz 70 °C 1230 m³/h 280 W 1,3 A 61/75/56 db(A) | |
| MIRV. | | | ISOR 150 E2 12 ID 114883 | 490,- | ISOR 160 E2 12 ID 114885 | 490,- | ISOR 200 E2 12 ID 114887 | 495,- | ISOR 250 E2 12 ID 114889 | 520,- |
| | | | 230V ~/50Hz 60 °C 750 m³/h 196 W 0,9 A 60/73/56 db(A) | | 230V ~/50Hz 60 °C 790 m³/h 192 W 0,9 A 60/73/56 db(A) | | 230V ~/50Hz 60 °C 940 m³/h 190 W 0,9 A 59/72/55 db(A) | | 230V ~/50Hz 55 °C 1060 m³/h 197 W 0,9 A 60/74/54 db(A) | |



Specific Accessories
For details see page: 134

| | | | | | | | | | | | |
|---------|-------------------------------|-------|-------------------------------|-------|-------------------------------|-------|-------------------------------|-------|-------------------------------|-------|--|
| MYSE. | MTY 1 ID 103428 | 79,- | MTY 1 ID 103428 | 79,- | MTY 1 ID 103428 | 79,- | MTY 1 ID 103428 | 79,- | MTY 2 ID 103424 | 92,- | Electronic Controller |
| MYSS. | TEE 015 ID 115893 | 143,- | TEE 015 ID 115893 | 143,- | TEE 015 ID 115893 | 143,- | TEE 015 ID 115893 | 143,- | TEE 015 ID 115893 | 143,- | 5-Step Transformer Without motor protection |
| MYSO. | TES 0145 ID 111858 | 48,- | TES 0145 ID 111858 | 48,- | TES 0145 ID 111858 | 48,- | TES 0145 ID 111858 | 48,- | TES 0145 ID 111858 | 48,- | 7-Step Transformer Without motor protection |
| MYSR. | GS 01 ID 102787 | 60,- | GS 01 ID 102787 | 60,- | GS 01 ID 102787 | 60,- | GS 01 ID 102787 | 60,- | GS 01 ID 102787 | 60,- | Isolator Switch |
| MYMRV. | VM 125 ID 102647 | 12,- | VM 150 ID 102648 | 13,- | VM 160 ID 102649 | 14,- | VM 200 ID 102650 | 16,- | VM 250 ID 102651 | 19,- | Fast Clamps 1 Set = 2 pcs. |
| MYMRR. | RSK 125 ID 102179 | 16,- | RSK 150 ID 102660 | 18,- | RSK 160 ID 102661 | 18,- | RSK 200 ID 102662 | 21,- | RSK 250 ID 102686 | 29,- | Back Draught Shutter |
| MYMRR. | RSK 125D ID 113483 | 18,- | RSK 150D ID 113484 | 20,- | RSK 160D ID 113485 | 20,- | RSK 200D ID 113487 | 23,- | RSK 250D ID 113488 | 31,- | Back Draught Shutter With seal |
| MYMRS. | SG 125 01 ID 102895 | 8,- | SG 150 01 ID 102896 | 10,- | SG 160 01 ID 102897 | 10,- | SG 200 01 ID 102898 | 12,- | SG 250 01 ID 102899 | 16,- | Protection Grille |
| MYMRDS. | SDS 125 ID 102712 | 61,- | SDS 150 ID 102714 | 68,- | SDS 160 ID 102717 | 74,- | SDS 200 ID 102719 | 88,- | SDS 250 ID 102721 | 106,- | Duct Silencer Rigid, 1 m |
| MYMRDF. | SDF 125 ID 102700 | 66,- | SDF 150 ID 102702 | 75,- | SDF 160 ID 102703 | 76,- | SDF 200 ID 102704 | 93,- | SDF 250 ID 102705 | 110,- | Duct Silencer Flexibel, 1 m |
| MYMRHL. | FV 125 ID 112679 | 35,- | FV 150 ID 112680 | 35,- | FV 160 ID 112831 | 35,- | FV 200 ID 112832 | 49,- | FV 250 ID 112833 | 49,- | Filter Box with Mat Filter G3 |
| MYMRHO. | FT 125 ID 112843 | 80,- | FT 150 ID 112842 | 80,- | FT 160 ID 112841 | 80,- | FT 200 ID 112840 | 80,- | FT 250 ID 112845 | 80,- | Filter Box for Bag Filter Without filter |
| MYMRHH. | FTW 125 ID 112850 | 365,- | FTW 150 ID 112851 | 365,- | FTW 160 ID 112852 | 365,- | FTW 200 ID 112853 | 365,- | FTW 250 ID 112854 | 398,- | Filter Box with Filter F5 and Heating Coil |

