

EMKI 7040 EC 21

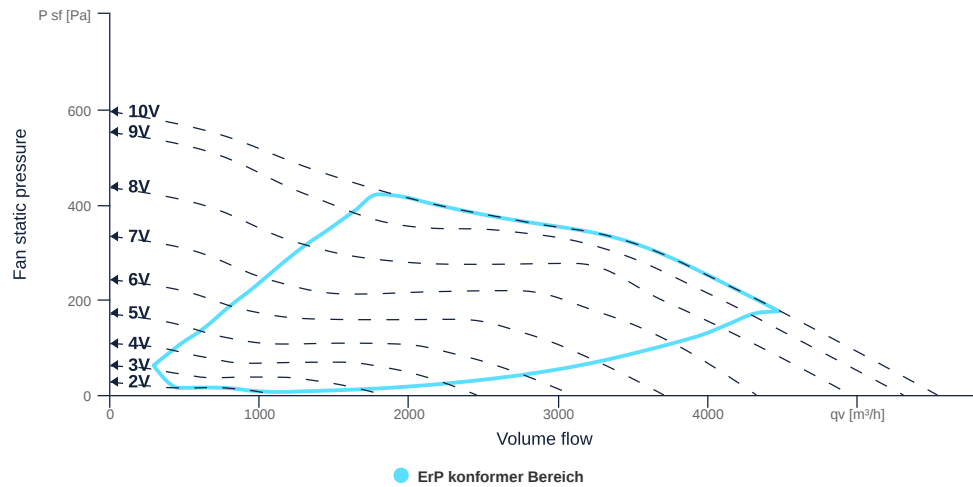
136748

- Efficiency optimized diagonal fan
- Optimally tuned and CFD-optimized aerodynamics
- Soundproof housing made of galvanized sheet steel
- High efficiency EC motor, steplessly controllable
- Conveyed medium temperature up to 45 °C in continuous operation
- Fan unit removable via inspection cover



MAP

Name	Value	Unit
Volume flow	0	m³/h
Pressure	0	Pa



to the product detail page

EMKI 7040 EC 21

136748

ruck

GENERAL DATA

Name	Value	Unit	Formula symbol
Certifications	CE, UKCA		
Duct size	700x400		WxH _{duct}
Pipe connection size (DN)	-		DN
Rated voltage (entire device)	230	V	U _{rated}
Phases (entire device)	1~		phase
Electrical protection (entire device)	6 A		fuse
Housing material	Galvanized steel		mat _{casing}
Impeller material	Plastic		mat _{impeller}
Weight	22.98	kg	m
Nominal air flow rate, nominal point m ³ /h	3286.8	m ³ /h	q _{v,nom}
Nominal external pressure, static	290.8	Pa	p _{s,nom}
Fan type	Diagonal		Fan _{type}
Category / Installation situation	A		cat

ERP DATA (LOT 6)

Name	Value	Unit	Formula symbol
Nominal air flow rate, nominal point m ³ /s	0.91	m ³ /s	q _{v,nom}
Actual electrical input power, nominal point	0.47	kW	P _{e,nom}
Face velocity, nominal point	3.3	m/s	v _{nom}
Nominal external pressure, static	290.8	Pa	p _{s,nom}
supply air fan static efficiency, nominal point	60.6	%	η _{es,SUP}
Enclosure sound level, nominal point	66	dB(A)	L _{WA2}
Rating	Product is compliant 2018		

MAXIMAL DATA

Name	Value		Unit	Formula symbol
	50 Hz	60 Hz		
Max. power consumption (device)	572	572	W	P _{ed,max}
Max. operating current (device)	3.9	3.9	A	I _{ed,max}
Max. speed	2800	2800	1/min	n _{max}
Max. stat. efficiency	51.5	51.5	%	η _{es}
Max. fan efficiency	52.6	52.6	%	η _e
Max. flowrate	5530	5530	m ³ /h	q _{v,max}
Max. stat pressure	595	595	Pa	p _{st,max}
Max. medium temperature	45	45	°C	T _{m,max}
Max. environment temperature	45	45	°C	T _{amb,max}
Min. environment temperature	-30	-30	°C	T _{amb,min}
Min. voltage	230	230	V	U _{min}



to the product detail page

EMKI 7040 EC 21

136748

ruck

MOTOR DATA

Name	Value		Unit	Formula symbol
	50 Hz	60 Hz		
Rated frequency (device)		50		f
Motor type		EC		phase
Control type		stepless-controlled		ctrltype
Installation type		ORM (Out)		install
Rotation direction		right		rotation
Isolation class		ISO F		ISOclass
Motor-protection		TEC		protectmotor
Protection class		IP33		IPmotor
Is pole-changeable		No		polexch
Type of power supply		AC 1~		pwrsupmotor
Rated voltage	230	230	V	U _{rated, f1}
Rated current	1.83	1.83	A	I _{rated, f1}
Shaft power	280	280	W	P _{out, f1}
Speed	2500	2500	1/min	n _{f1}
Min. temperature	-30	-30	°C	T _{motor, min}
UL-Certification motor		None		ULcert

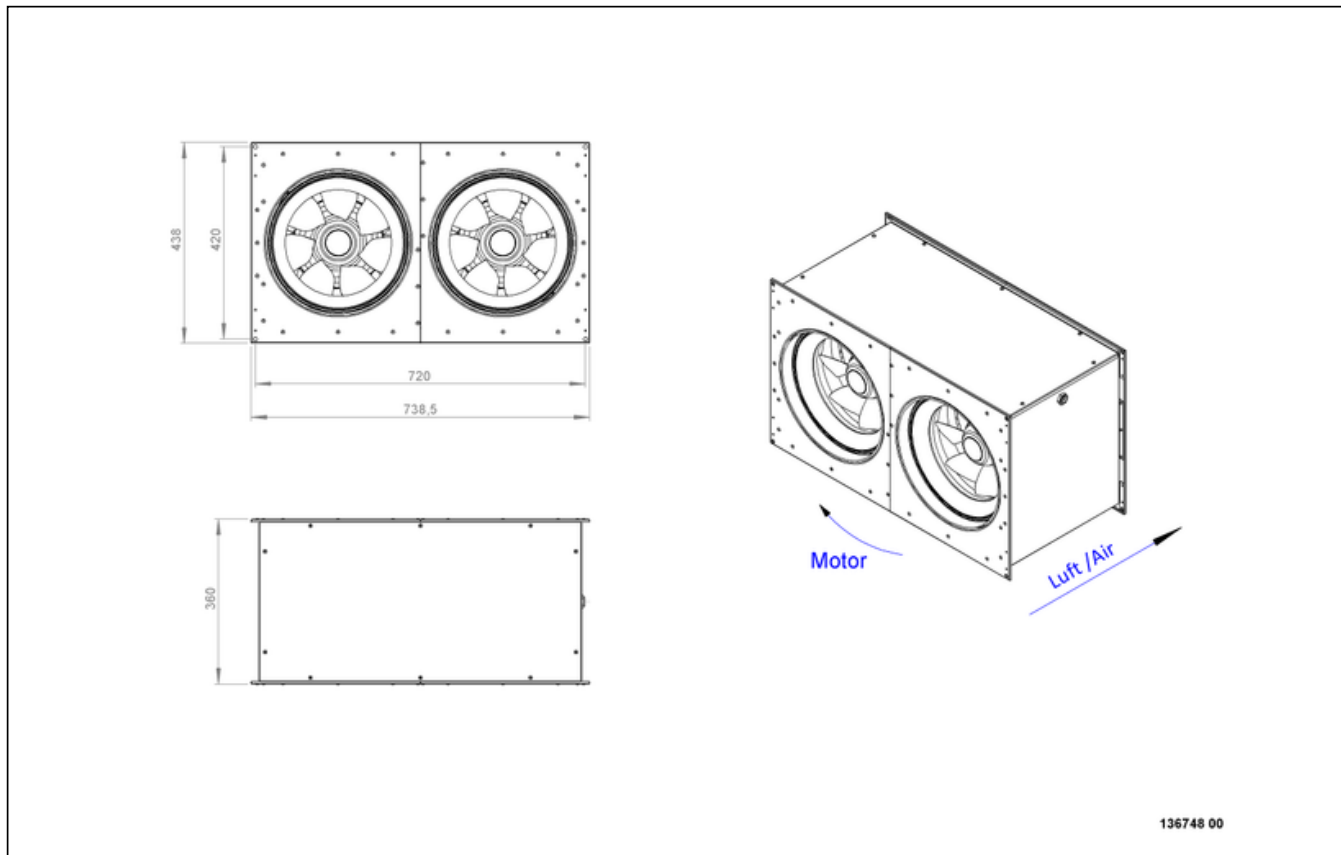


to the product detail page

EMKI 7040 EC 21

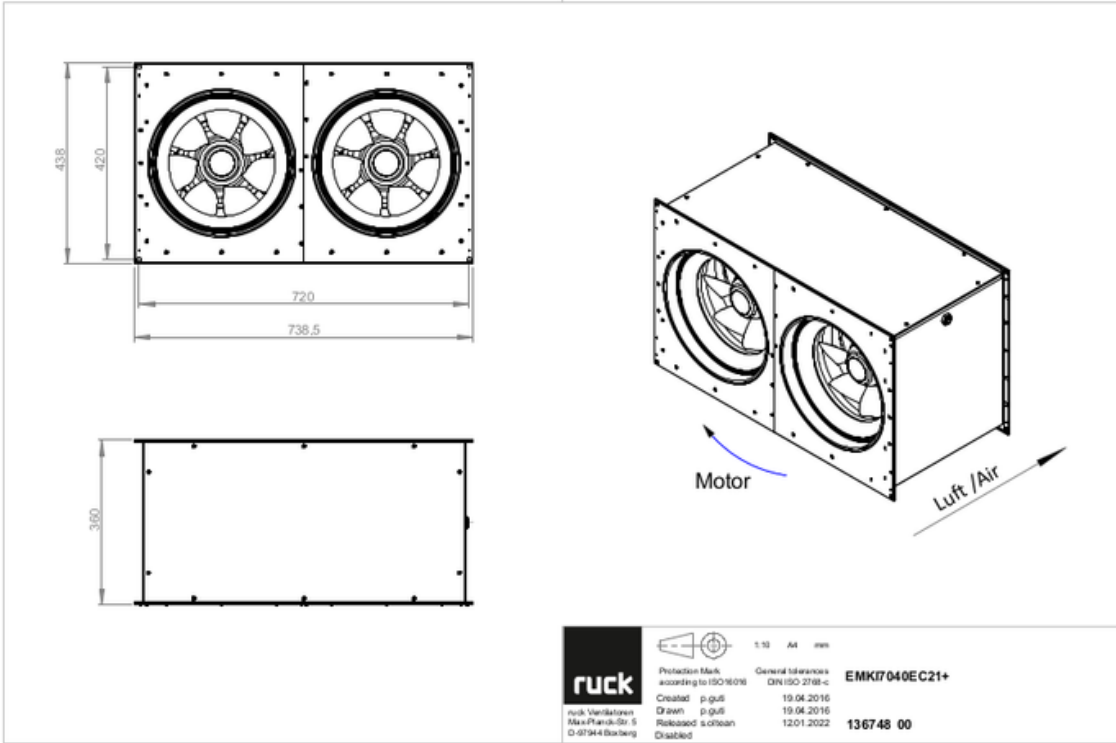
136748

CIRCUIT DIAGRAMS / DIMENSIONAL DRAWINGS



EMKI 7040 EC 21

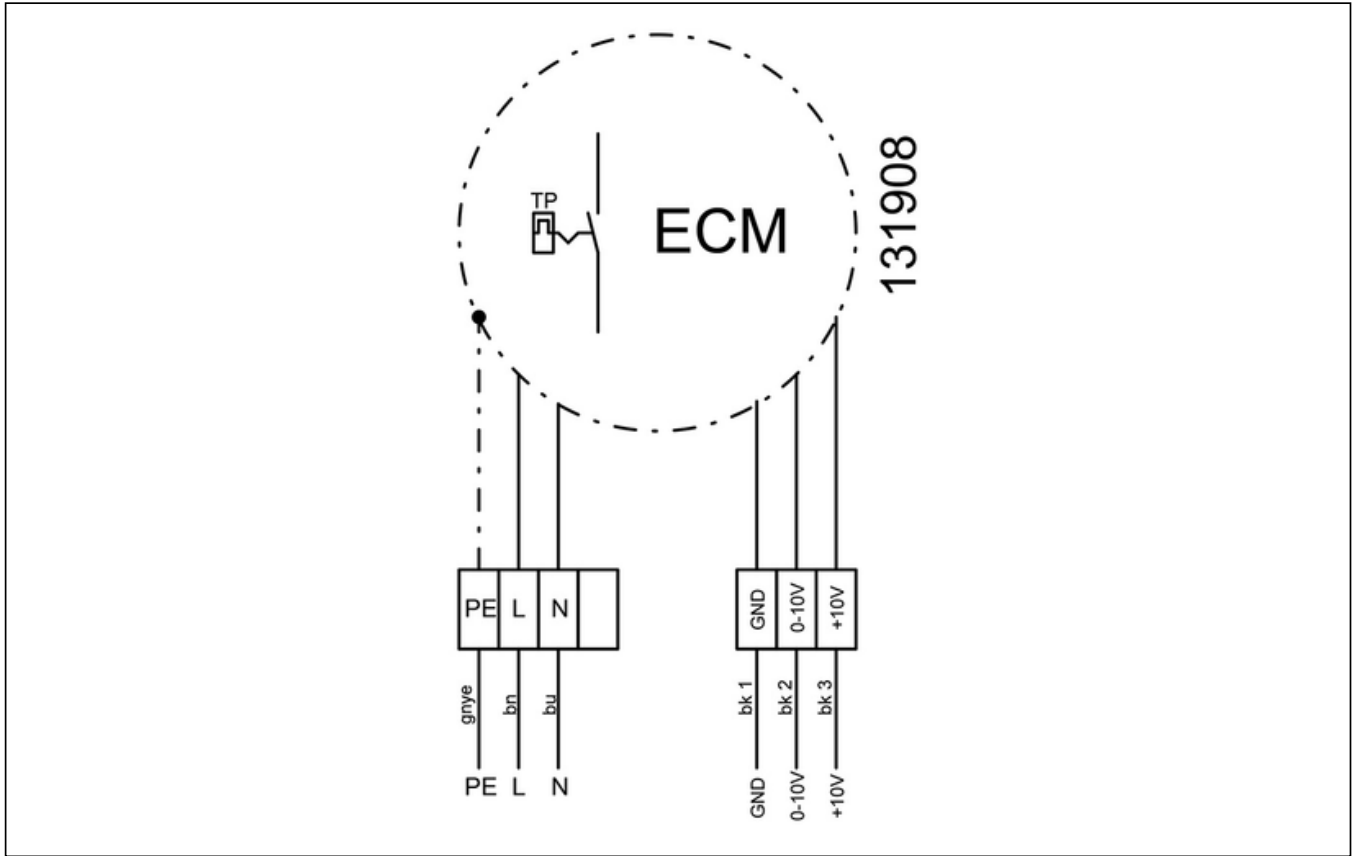
136748



to the product detail page

EMKI 7040 EC 21

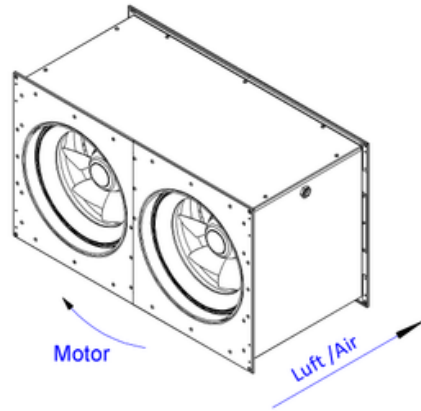
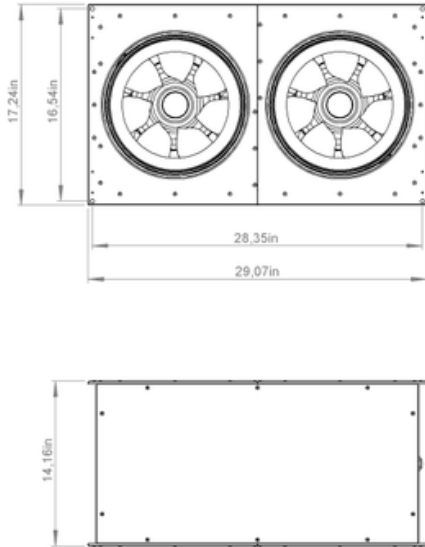
136748



[to the product detail page](#)

EMKI 7040 EC 21

136748



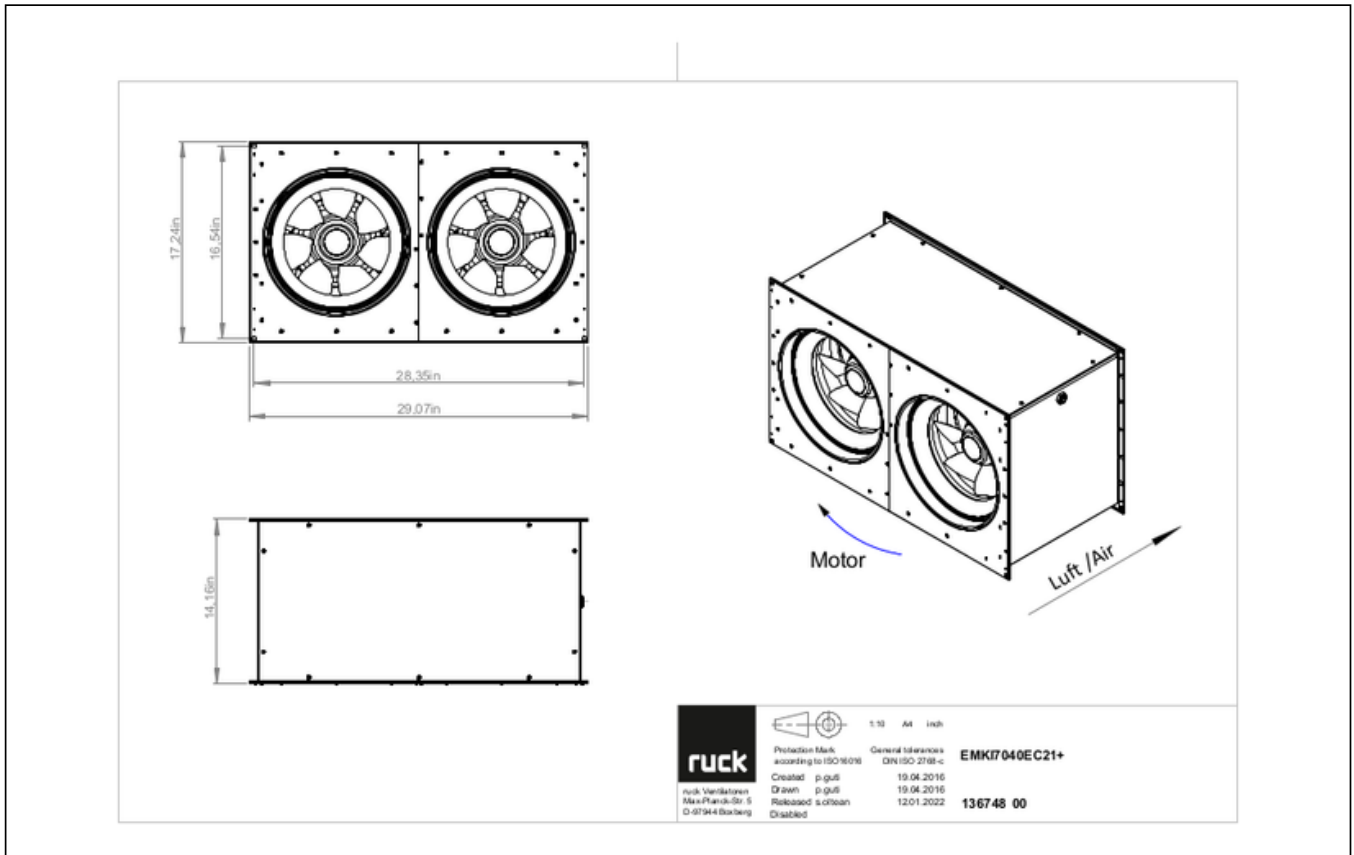
136748 00



to the product detail page

EMKI 7040 EC 21

136748



MECHANICAL ACCESSORIES

VKK 7040 | 103944



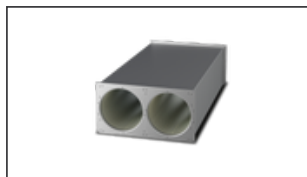
- Automatic shutter
- Plastic, weather resistant
- Temperature resistant up to 70 °C

VS 7040 | 103951



- Duct connector, flexible
- Standard profile flange P20
- Galvanized steel sheet, plastic band (PVC)
- Temperature resistant up to 70 °C

SDE 7040 L02 | 127753



- Duct silencer
- Sendzimir galvanized sheet steel housing
- Sound absorption by mineral wool with fleece covering on air side
- 20 mm flange profiles



to the product detail page

EMKI 7040 EC 21

136748

ELECTRICAL ACCESSORIES

GS 01 | 102787



- Isolator switch
- $U_{max} = 400\text{ V}$, 50/60 Hz
- Switching capacity 400 V 3~ = 5,5 kW
- $I_{max} = 16\text{ A}$

CON P1000 | 115259



- Constant pressure control
- Actual value display possible via optional control unit
- Output 0-10 V DC + FC enable + setpoint reached
- Pressure setting by means of decade switch

MTP 20 | 128146



- Potentiometer 10 k Ω
- Switching contact 1A/250V AC - 2,5A/12V DC
- Max. ambient temperature 50 °C
- VDE

MTP 30 | 143289



- Stepped potentiometer 10 k Ω
- Step 1 + 2 settable 10 % - 100 % Vdc
- Step 3 100 % Vdc
- Supply voltage +10 Vdc

MTP 40 | 147359



- Potentiometer 10 k Ω
- Connection in terminal box
- Max. ambient temperature 50 °C
- PU: 20 pieces

MTP 50 | 153133



- Potentiometer with multifunction output
- 230 VAC $\pm 10\%$ / 50-60 Hz
- Selectable output: 1-10 VDC / 2-20 mA / 10-100 % PWM
- Min. and max. output value adjustable



to the product detail page