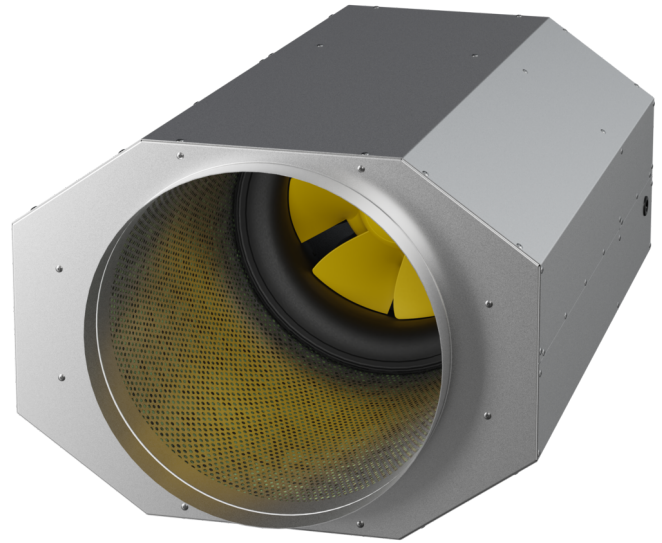


EMI 400 E4M O 01

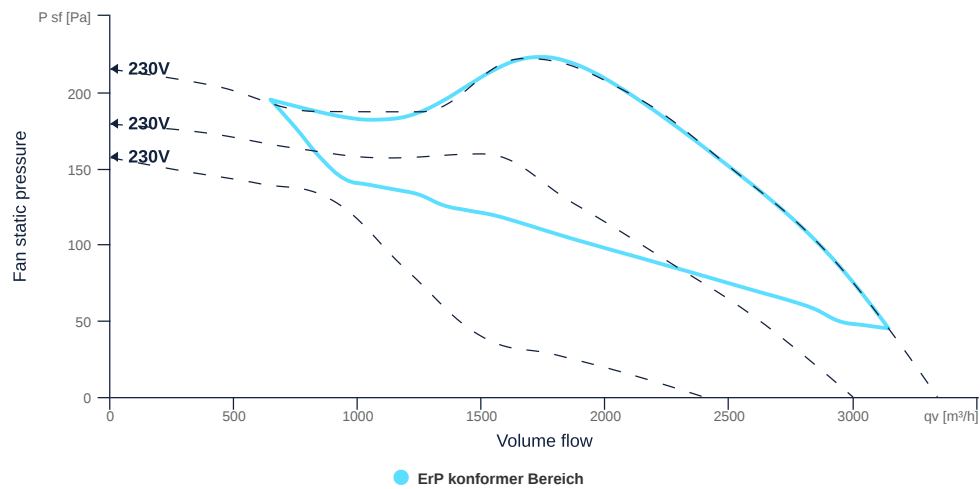
158001

- High-efficiency, insulated diagonal fan
- Optimum sound attenuation due to silencer
- Very compact housing made of galvanized sheet steel
- Robust AC motor, 3-steps controllable
- Highest aerodynamic efficiency
- Conveyed medium temperature up to 60 °C in continuous operation



MAP

Name	Value	Unit
Volume flow	0	m³/h
Pressure	0	Pa



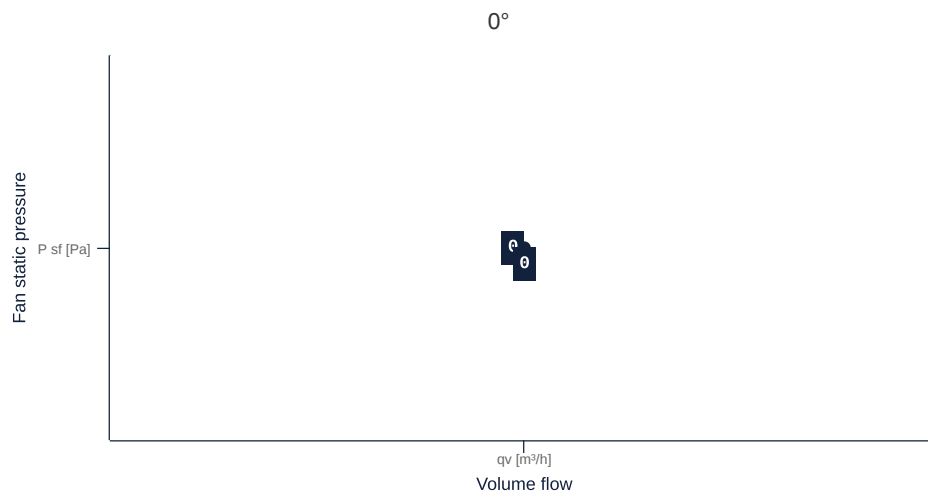
zur Produktseite

EMI 400 E4M O 01

158001

MAP

Name	Value	Unit
Volume flow	0	m ³ /h
Pressure	0	Pa



zur Produktseite

EMI 400 E4M O 01

158001

ruck

GENERAL DATA

Name	Value	Unit	Formula symbol
ERP conformity	Yes		
Certifications	CE, UKCA		
Duct size	-		WxH _{duct}
Pipe connection size (DN)	DN400		DN
Rated voltage (entire device)	230	V	U _{rated}
Phases (entire device)	1~		phase
Electrical protection (entire device)	6 A		fuse
Housing material	Galvanized steel		mat _{casing}
Impeller material	Plastic		mat _{impeller}
Weight	29.7	kg	m
Fan type	Diagonal		Fan _{type}
Category / Installation situation	B		cat

MAXIMAL DATA

Name	Value	Unit	Formula symbol
Max. power consumption (device)	215	W	P _{ed, max}
Max. operating current (device)	1	A	I _{ed, max}
Max. speed	1445	1/min	n _{max}
Max. stat. efficiency	51.9	%	η _{es}
Max. fan efficiency	55.1	%	η _e
Max. flowrate	3340	m ³ /h	Q _{v, max}
Max. stat pressure	215	Pa	p _{sf, max}
Max. medium temperature	60	°C	T _{m, max}
Max. environment temperature	60	°C	T _{amb, max}
Min. environment temperature	-25	°C	T _{amb, min}

zur Produktseite



MOTOR DATA

Name	Value		Unit	Formula symbol
	50 Hz	60 Hz		
Rated frequency (device)		50		f
Motor type		AC 1~		phase
Installation type		IRM (In)		install
Rotation direction		right		rotation
Isolation class		ISO F		ISOclass
Motor-protection		TAI		protectmotor
Protection class		IP00		IPmotor
Is pole-changeable		No		polexch
Type of power supply		AC 1~		pwrsupmotor
Capacity capacitor		7	μF	Ccond
Voltage capacitor		450	V	VUcond
Number of poles (1)		4.000000		num polesw1
Rated voltage	230		V	Urated, f1
Rated current	1.05		A	Irated, f1
Shaft power	120		W	Pout, f1
UL-Certification motor		None		ULcert

ERP DATA (LOT11)

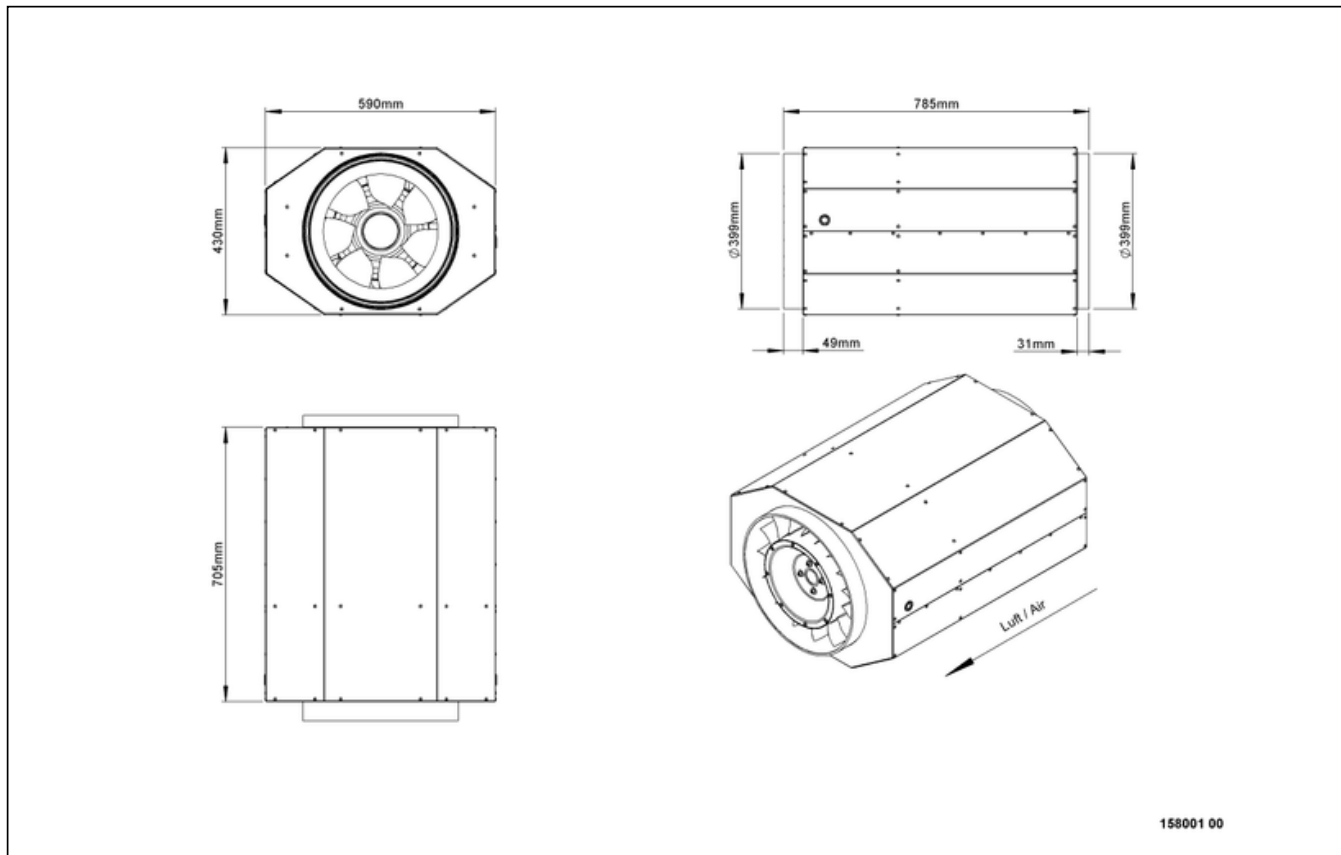
Name	Value	Unit	Formula symbol
Speed at the energy efficiency optimum	1415	1/min	n _{opt}
Efficiency level	57.3	%	N
Efficiency category	total		catefficiency
Input power of the motor at the energy efficiency optimum	0.21	kW	P _{e, opt}
Overall efficiency	75	%	η _{ges}
Measurement category	B		meas cat
Fan pressure at energy efficiency optimum	181	Pa	p _{f, opt}
Flowrate at energy efficiency optimum	2118	m³/h	q _{v, opt}



EMI 400 E4M O 01

158001

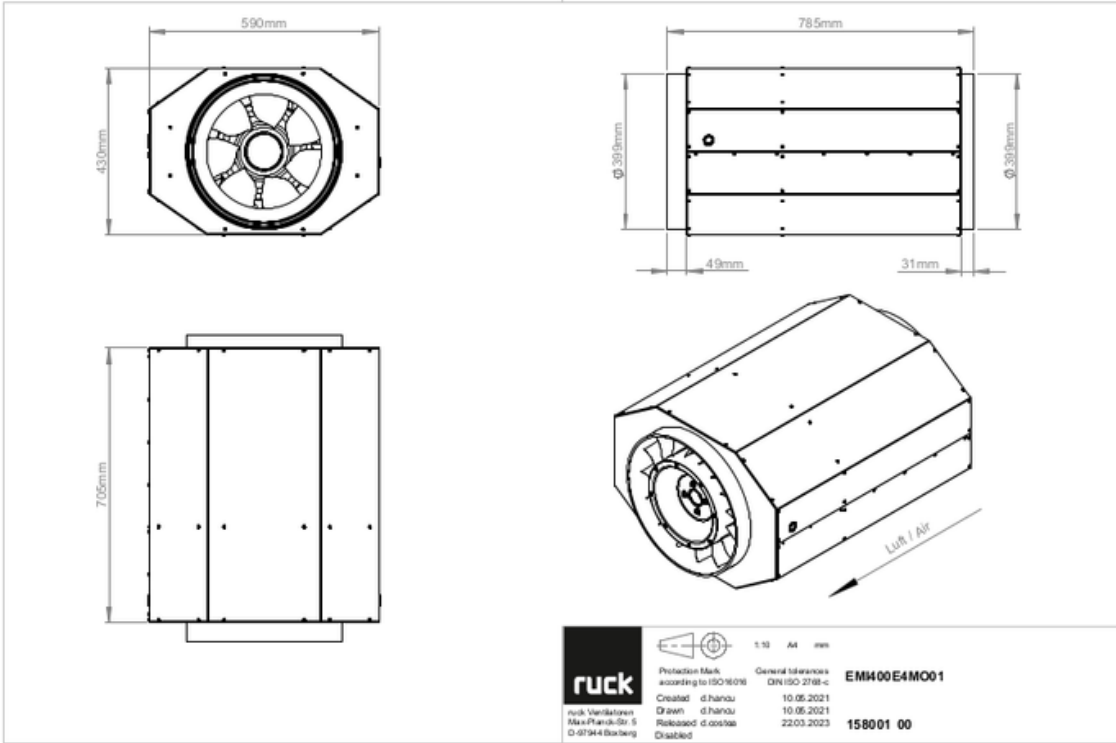
SCHALTPLÄNE / MASSZEICHNUNGEN



zur Produktseite

EMI 400 E4M O 01

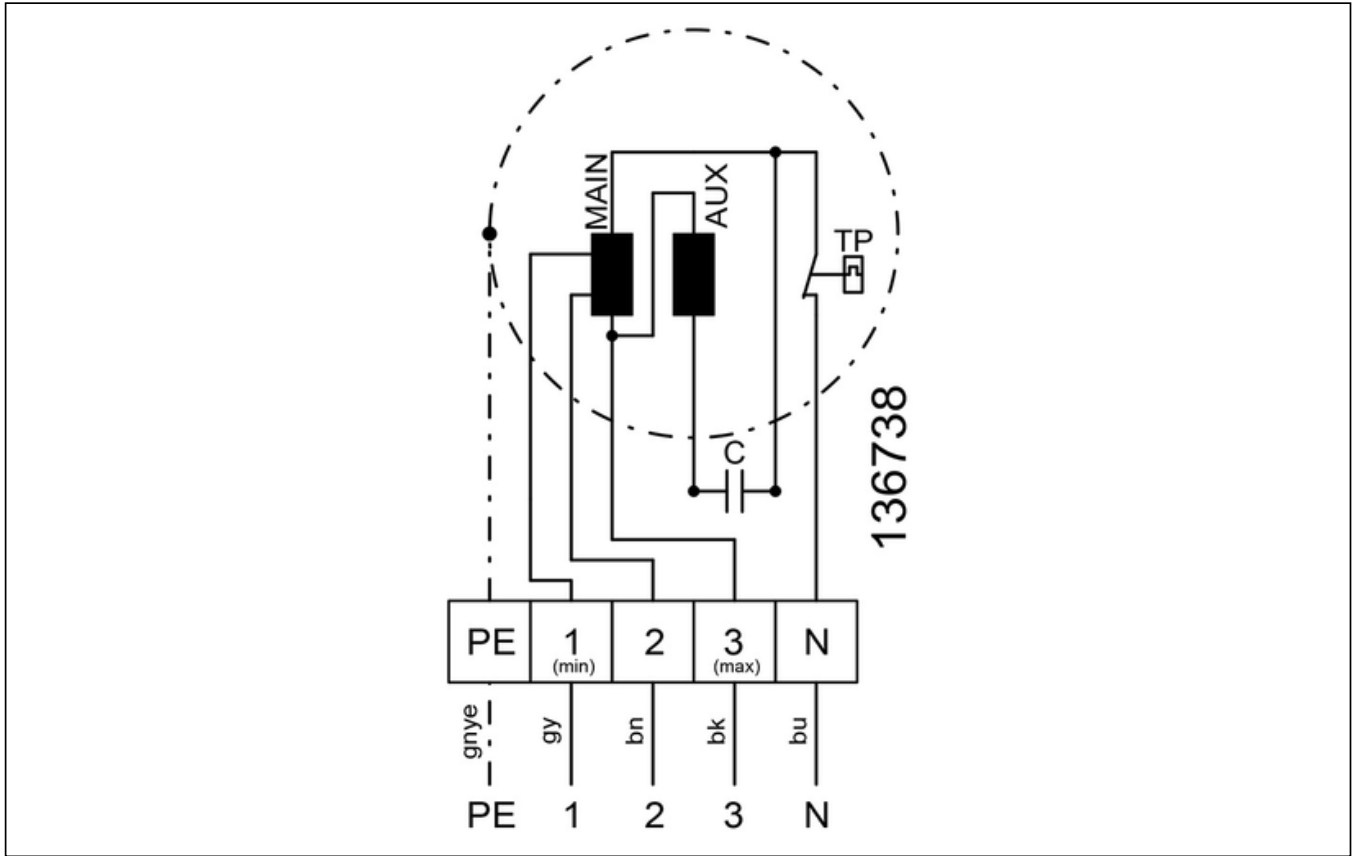
158001



zur Produktseite

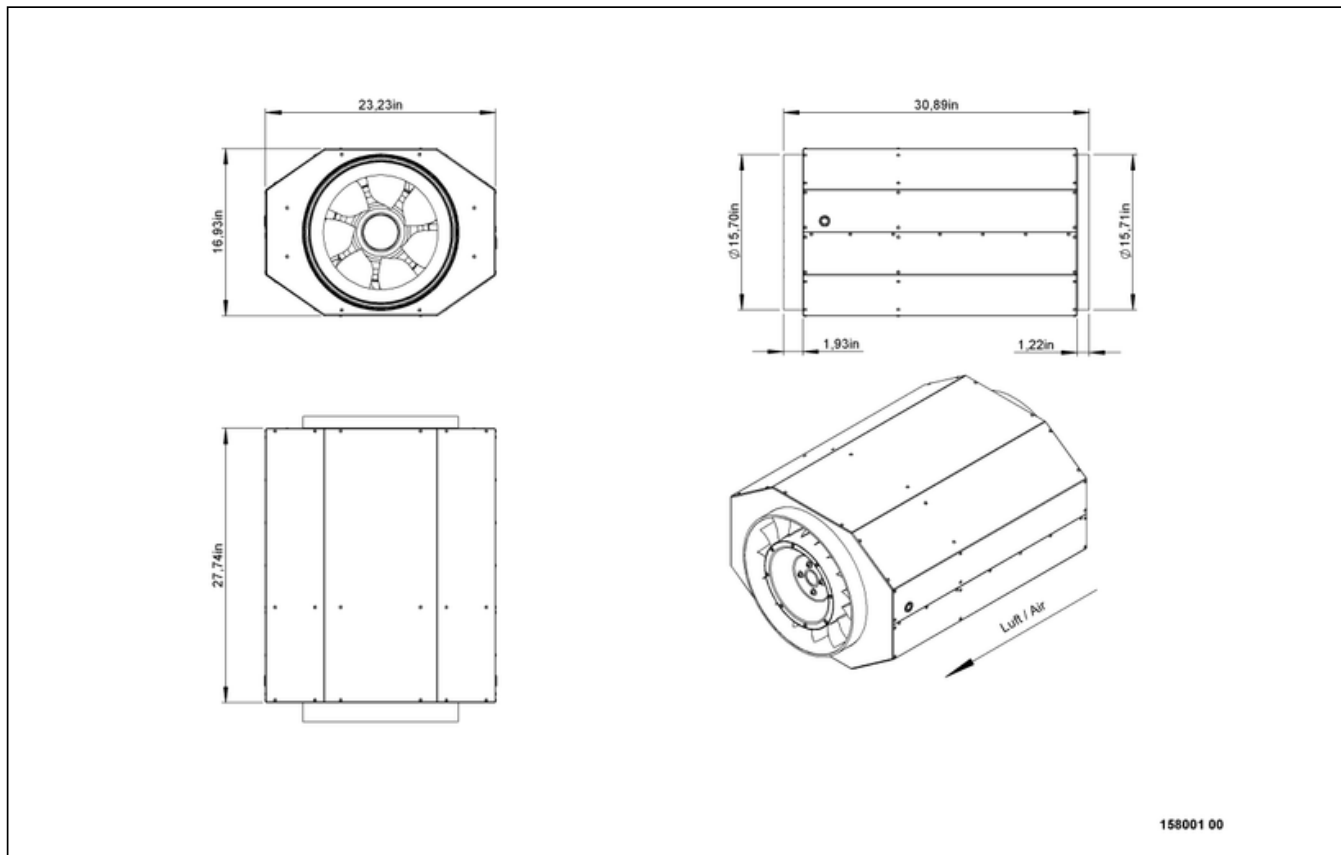
EMI 400 E4M O 01

158001



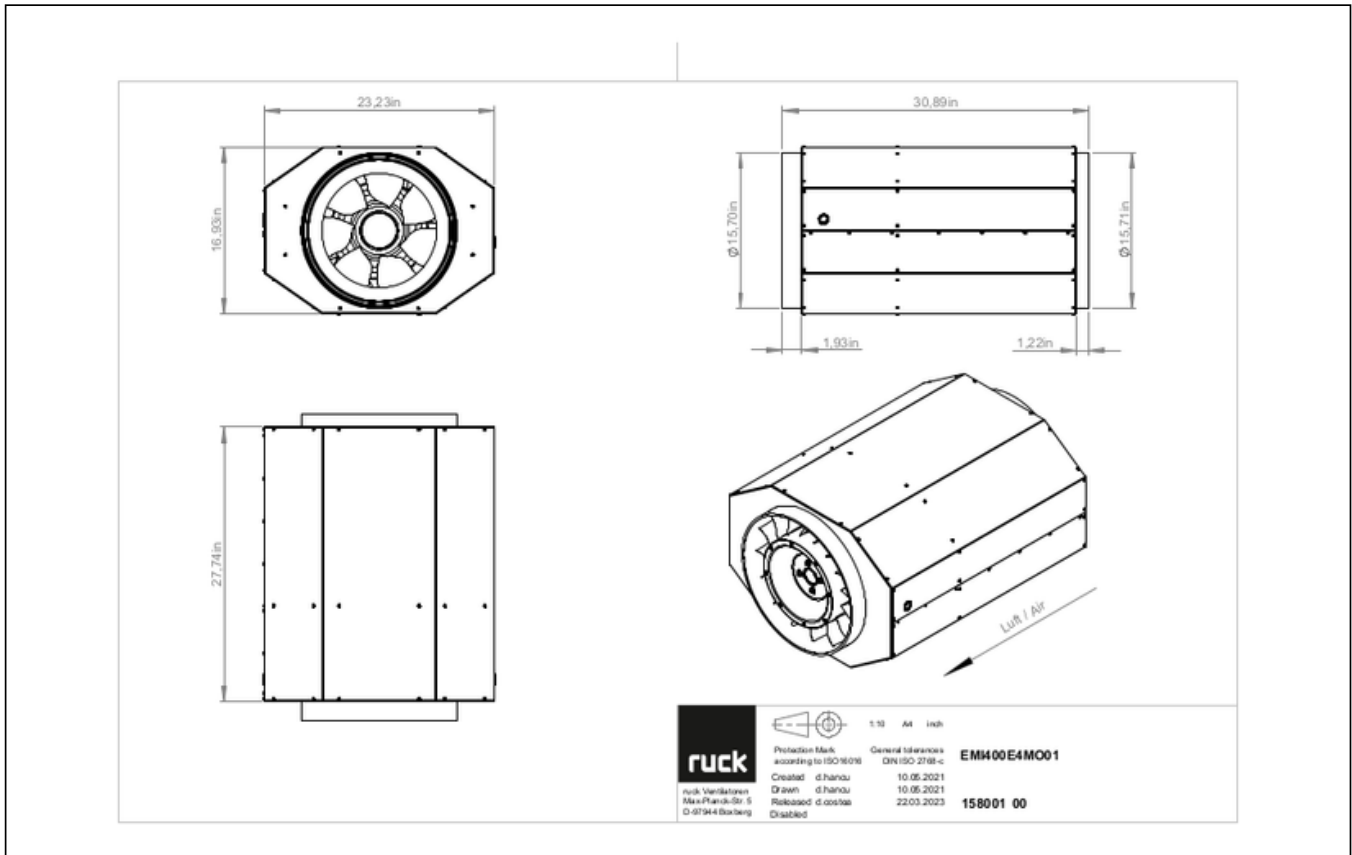
EMI 400 E4M O 01

158001



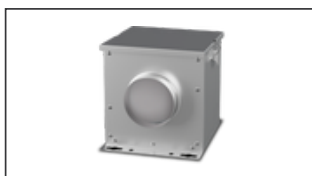
EMI 400 E4M O 01

158001



MECHANICAL ACCESSORIES

FV 400 | 112836



- Air filter box with mat filter ISO Coarse 45 % (G3)
- Toggle-type fastener

FT 400 | 112848



- Air filter box for pocket filter
- Toggle-type fastener
- Galvanized steel sheet housing
- Without filter

FTW 400 | 112857



- Air filter box with pocket filter M5
- Integrated warm water heating coil
- Galvanized steel sheet housing
- Toggle-type fastener

RSK 400 | 102691



- Back draught shutter for tube fitting
- Galvanized steel sheet housing
- Aluminum flaps

RSK 400D | 113490



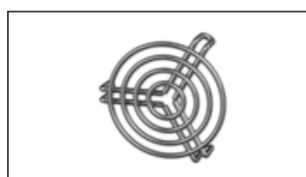
- Back draught shutter for tube fitting
- Galvanized steel sheet housing
- Aluminum flaps
- Integrated gasket

VM 400 | 102654



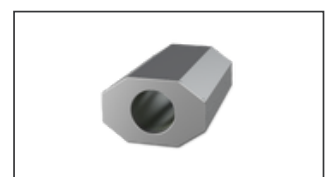
- Fast clamps for sound decoupling and sealing
- Galvanized steel sheet, 5 mm
- Neopren gasket
- 1 Pack = 2 pieces

SG 400 01 | 134284



- Protection grille for tube connection
- Galvanized wire

SD 00400 500 R 05 | 158003



- Rigid tube silencer
- Galvanized steel sheet
- Insulated with mineral wool



zur Produktseite

EMI 400 E4M O 01

158001

ELECTRICAL ACCESSORIES

GS 03 | 107633



- Device switch
- $U_{max} = 400\text{ V}$, $I_{max} = 25\text{ A}$
- Switching capacity $400\text{ V } 3\text{-} = 5,5\text{ kW}$
- Protection class IP 55

MTS 10 | 128145



- 3-step switch
- Max. ambient temperature $50\text{ }^{\circ}\text{C}$
- Surface and flush mounting
- IP 44



zur Produktseite