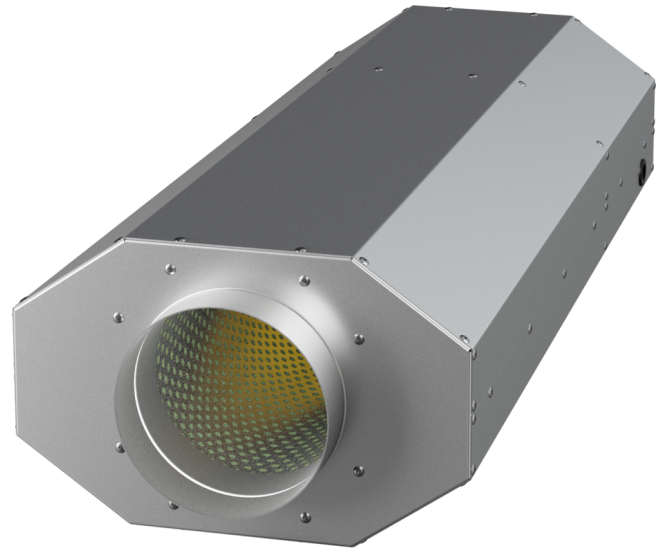


EMI 160 EC O 01

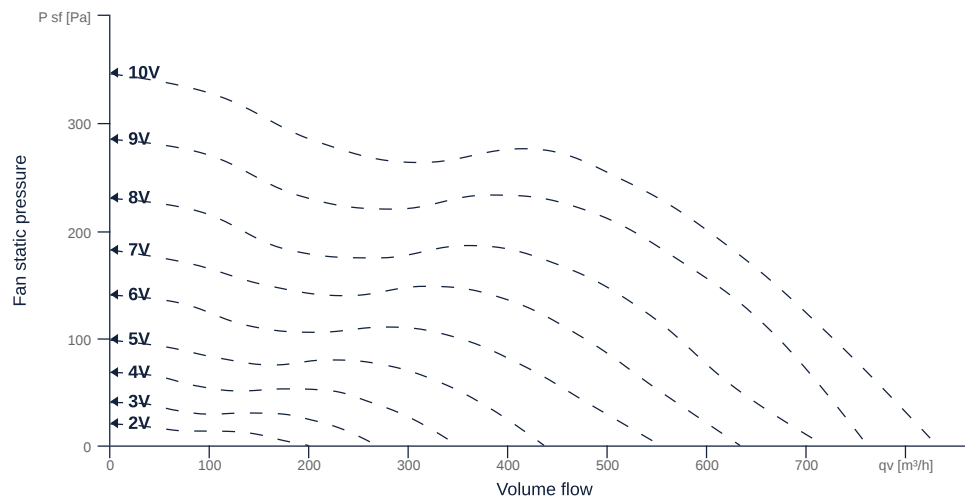
158116

- High-efficiency, insulated diagonal fan
- Optimum sound attenuation due to silencer
- Very compact housing made of galvanized sheet steel
- High efficiency EC motor, steplessly controllable
- Highest aerodynamic efficiency
- Conveyed medium temperature up to 45 °C in continuous operation



MAP

Name	Value	Unit
Volume flow	0	m³/h
Pressure	0	Pa



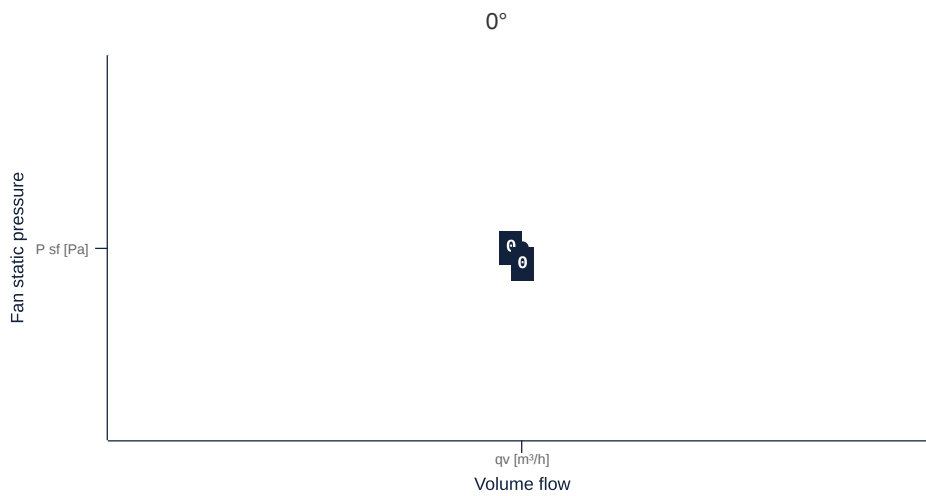
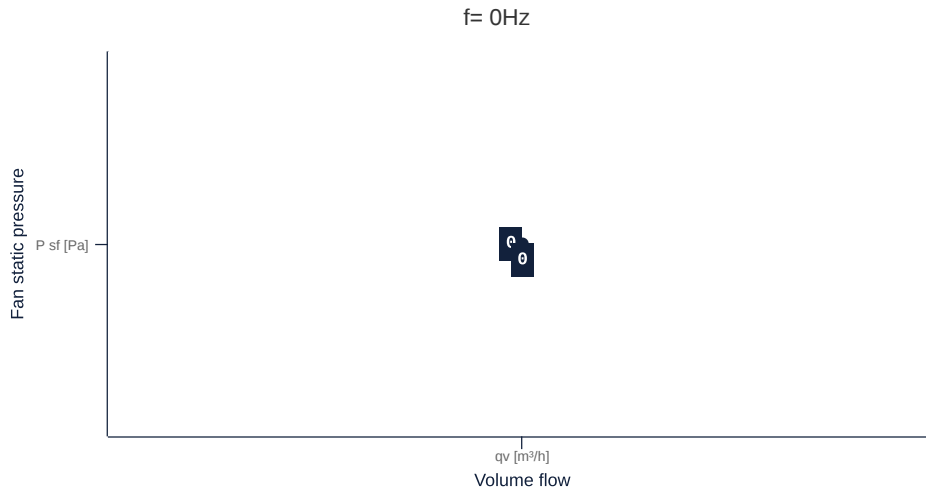
zur Produktseite

EMI 160 EC O 01

158116

MAP

Name	Value	Unit
Volume flow	0	m³/h
Pressure	0	Pa



zur Produktseite

GENERAL DATA

Name	Value	Unit	Formula symbol
ERP conformity	Yes		
Certifications	CE, UKCA		
Duct size	-		WxHduct
Pipe connection size (DN)	DN160		DN
Rated voltage (entire device)	230	V	U _{rated}
Phases (entire device)	1~		phase
Electrical protection (entire device)	6 A		fuse
Housing material	Galvanized steel		matcasing
Impeller material	Plastic		matimpeller
Weight	10	kg	m
Fan type	Diagonal		Fan _{type}
Category / Installation situation	B		cat

MAXIMAL DATA

Name	Value		Unit	Formula symbol
	50 Hz	60 Hz		
Max. power consumption (device)	68	68	W	P _{ed, max}
Max. operating current (device)	0.59	0.59	A	I _{ed, max}
Max. speed	3750	3750	1/min	n _{max}
Max. stat. efficiency	51.1	51.1	%	η _{es}
Max. fan efficiency	56.8	56.8	%	η _e
Max. flowrate	830	830	m ³ /h	q _{v, max}
Max. stat pressure	350	350	Pa	p _{st, max}
Max. medium temperature	45	45	°C	T _{m, max}
Max. environment temperature	45	45	°C	T _{amb, max}
Min. environment temperature	-30	-30	°C	T _{amb, min}



MOTOR DATA

Name	Value		Unit	Formula symbol
	50 Hz	60 Hz		
Rated frequency (device)		50		f
Motor type		EC		phase
Control type		stepless-controlled		ctrltype
Installation type		ORM (Out)		install
Rotation direction		right		rotation
Isolation class		ISO F		ISOclass
Motor-protection		TEC		protectmotor
Protection class		IP54		IPmotor
Is pole-changeable		No		polexch
Type of power supply		AC 1~		pwrsupmotor
Rated voltage	230		V	U _{rated, f1}
Rated current	0.56		A	I _{rated, f1}
Shaft power	70		W	P _{out, f1}
Speed	3655		1/min	n _{f1}
Min. temperature	-30		°C	T _{motor, min}
UL-Certification motor		None		ULcert

ERP DATA (LOT11)

Name	Value	Unit	Formula symbol
Speed at the energy efficiency optimum	3662	1/min	n _{opt}
Efficiency level	60.9	%	N
Efficiency category	total		catefficiency
Input power of the motor at the energy efficiency optimum	0.06	kW	P _{e, opt}
Overall efficiency	84	%	η _{ges}
Measurement category	B		meas cat
Fan pressure at energy efficiency optimum	248	Pa	p _{f, opt}
Flowrate at energy efficiency optimum	478	m³/h	q _{v, opt}

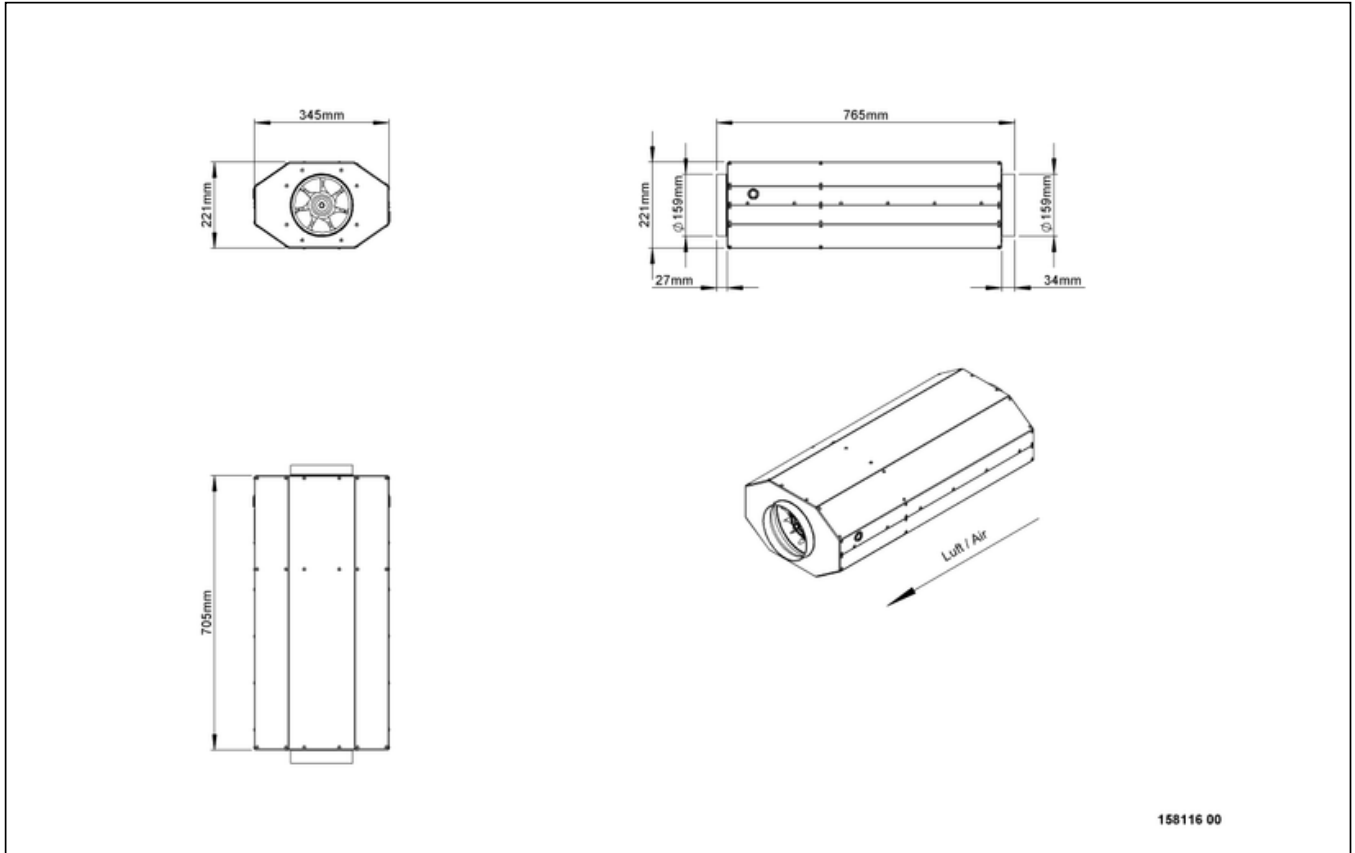


zur Produktseite

EMI 160 EC O 01

158116

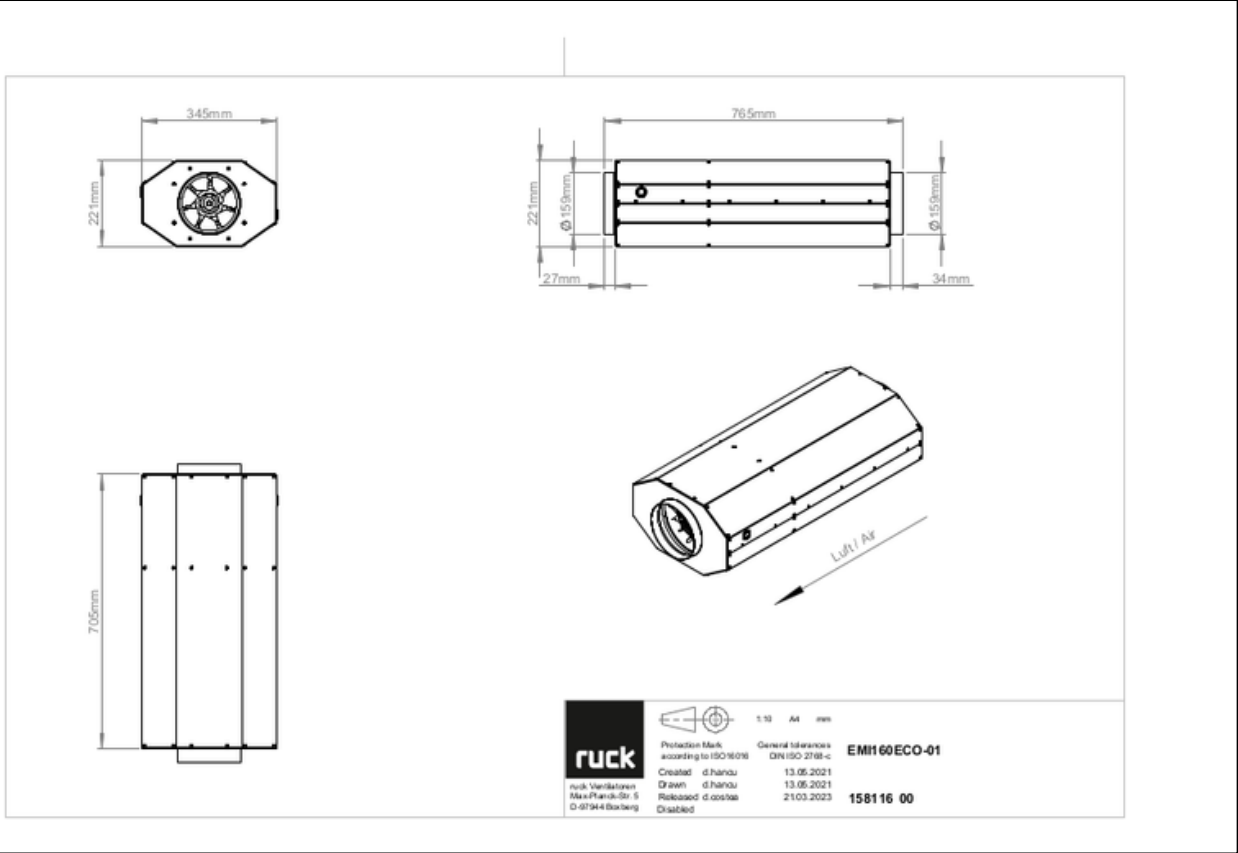
SCHALTPLÄNE / MASSZEICHNUNGEN



zur Produktseite

EMI 160 EC O 01

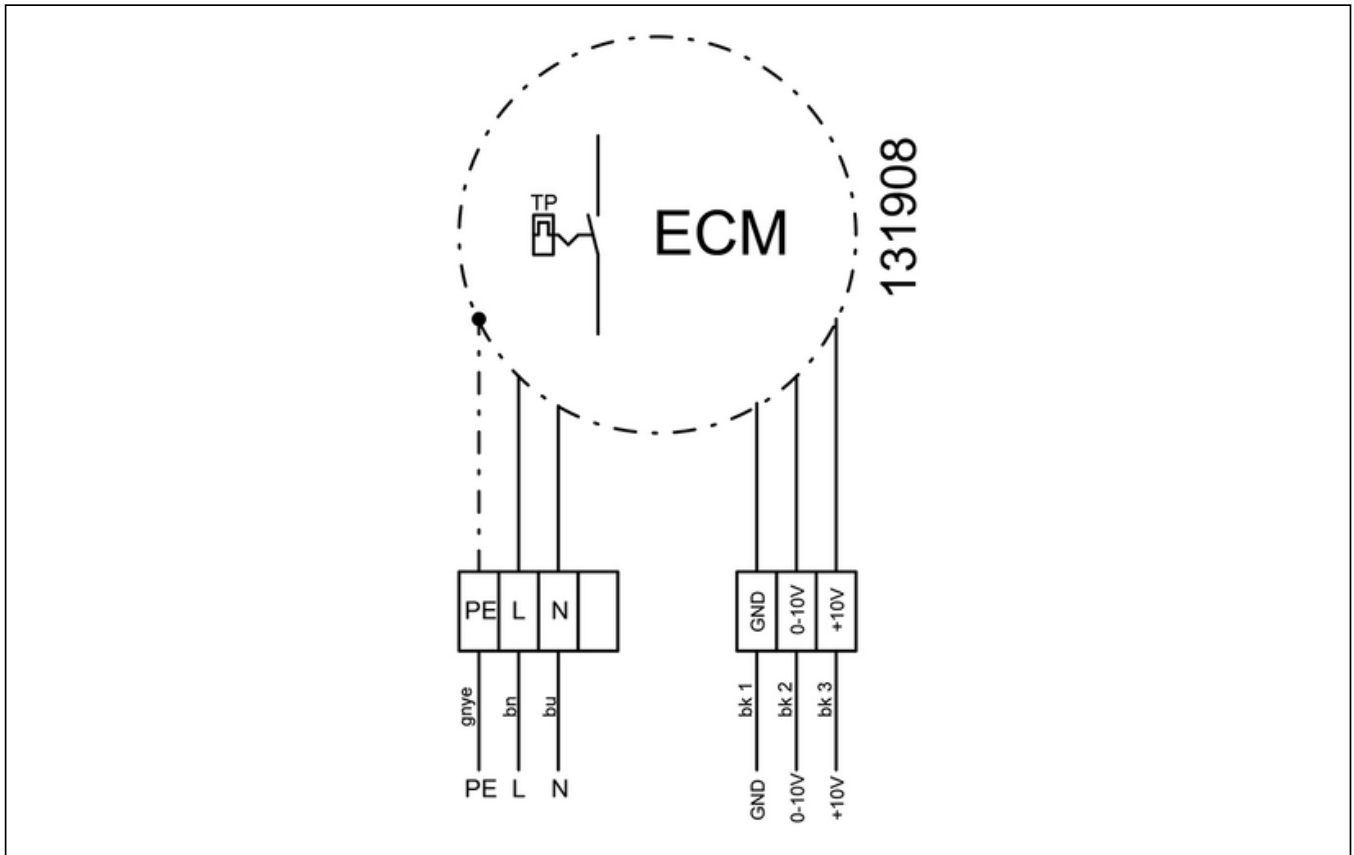
158116



zur Produktseite

EMI 160 EC O 01

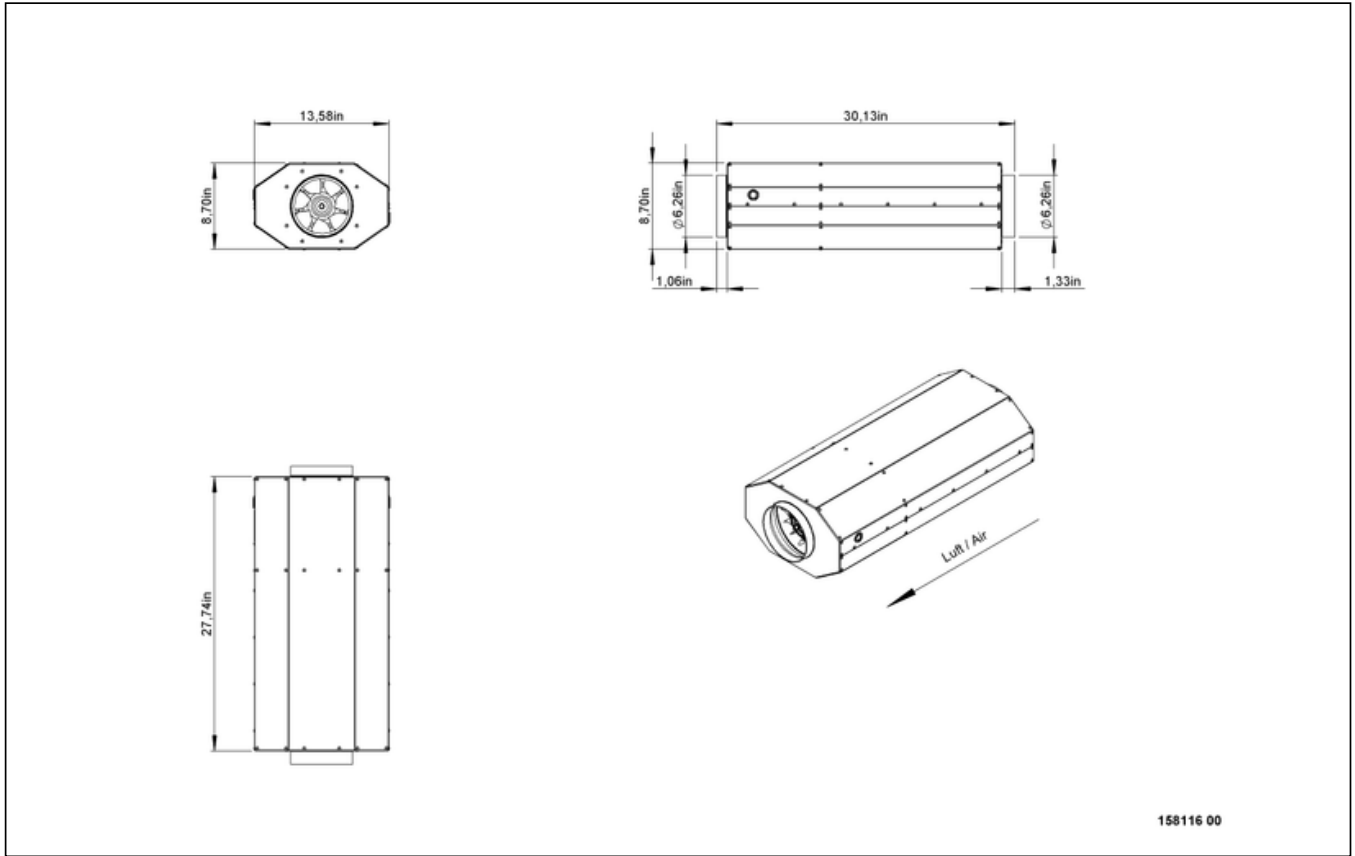
158116



zur Produktseite

EMI 160 EC O 01

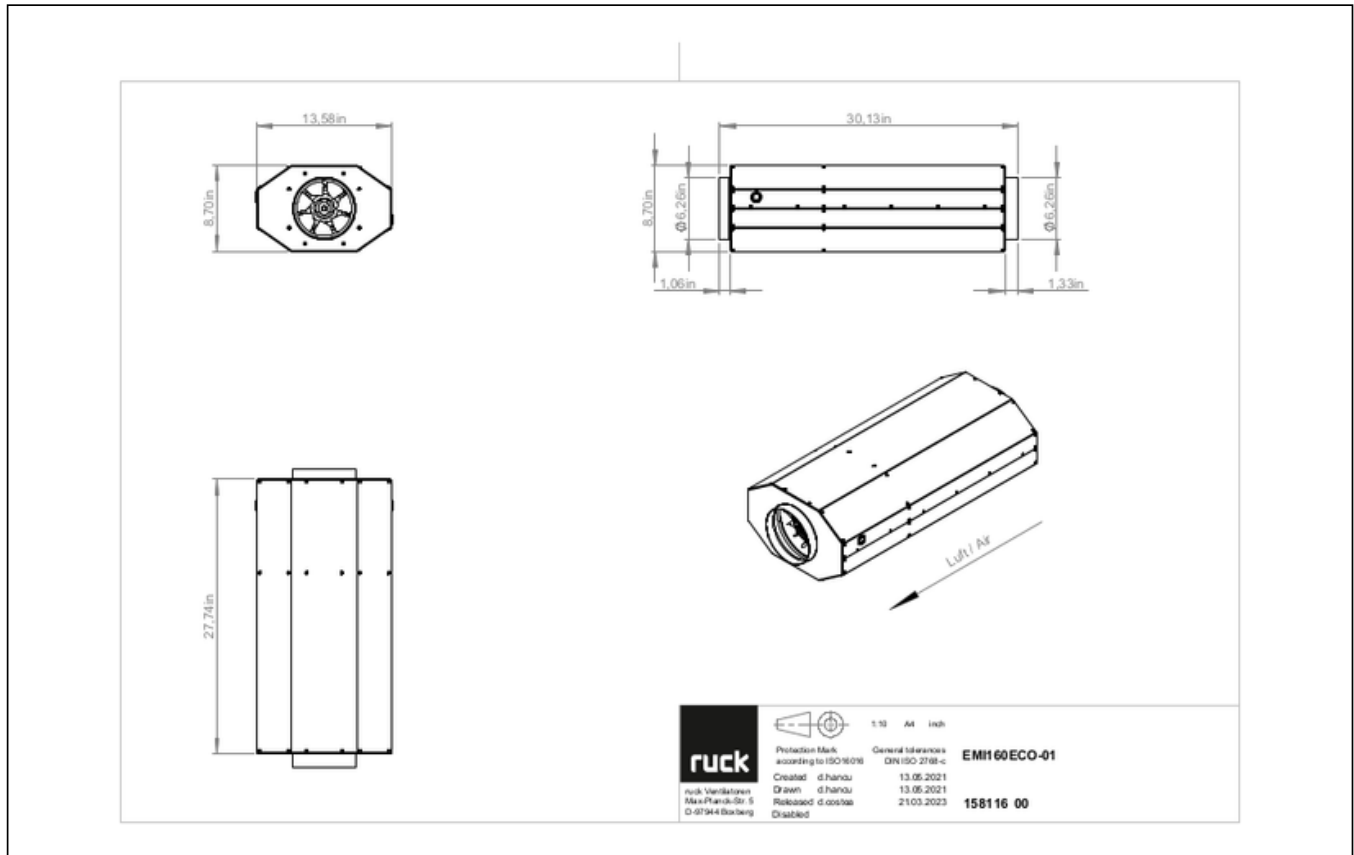
158116



zur Produktseite

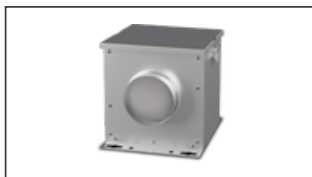
EMI 160 EC O 01

158116



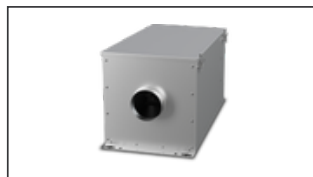
MECHANICAL ACCESSORIES

FV 160 | 112831



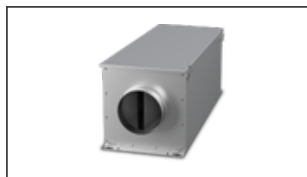
- Air filter box with mat filter ISO Coarse 45 % (G3)
- Toggle-type fastener

FT 160 | 112841



- Air filter box for pocket filter
- Toggle-type fastener
- Galvanized steel sheet housing
- Without filter

FTW 160 | 112852



- Air filter box with pocket filter M5
- Integrated warm water heating coil
- Galvanized steel sheet housing
- Toggle-type fastener

RSK 160 | 102661



- Back draught shutter for tube fitting
- Galvanized steel sheet housing
- Aluminum flaps

RSK 160D | 113485



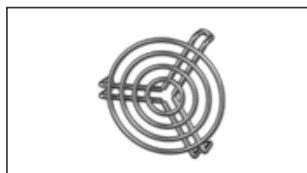
- Back draught shutter for tube fitting
- Galvanized steel sheet housing
- Aluminum flaps
- Integrated gasket

VM 160 | 102649



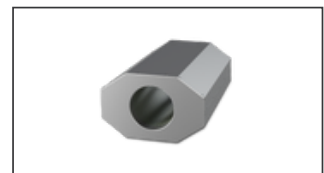
- Fast clamps for sound decoupling and sealing
- Galvanized steel sheet, 5 mm
- Neopren gasket
- 1 Pack = 2 pieces

SG 160 01 | 102897



- Protection grille for tube connection
- Galvanized wire

SD 00160 500 R 05 | 158128



- Rigid tube silencer
- Galvanized steel sheet
- Insulated with mineral wool



zur Produktseite

EMI 160 EC O 01

158116

ELECTRICAL ACCESSORIES

GS 03 | 107633



- Device switch
- $U_{max} = 400\text{ V}$, $I_{max} = 25\text{ A}$
- Switching capacity $400\text{ V } 3\text{-} = 5,5\text{ kW}$
- Protection class IP 55

MTP 20 | 128146



- Potentiometer $10\text{ k}\Omega$
- Switching contact $1\text{A}/250\text{V AC}$ - $2,5\text{A}/12\text{V DC}$
- Max. ambient temperature $50\text{ }^\circ\text{C}$
- VDE

MTP 30 | 143289



- Stepped potentiometer $10\text{ k}\Omega$
- Step 1 + 2 settable $10\% - 100\% \text{ Vdc}$
- Step 3 $100\% \text{ Vdc}$
- Supply voltage $+10\text{ Vdc}$

MTP 40 | 147359



- Potentiometer $10\text{ k}\Omega$
- Connection in terminal box
- Max. ambient temperature $50\text{ }^\circ\text{C}$
- PU: 20 pieces

CON P1000 | 115259



- Constant pressure control
- Actual value display possible via optional control unit
- Output $0-10\text{ V DC}$ + FC enable + setpoint reached
- Pressure setting by means of decade switch

MTP 50 | 153133



- Potentiometer with multifunction output
- $230\text{ VAC } \pm 10\% / 50-60\text{ Hz}$
- Selectable output: $1-10\text{ VDC}$ / $2-20\text{ mA}$ / $10-100\% \text{ PWM}$
- Min. and max. output value adjustable



zur Produktseite