

ELKI 8050 E2 10

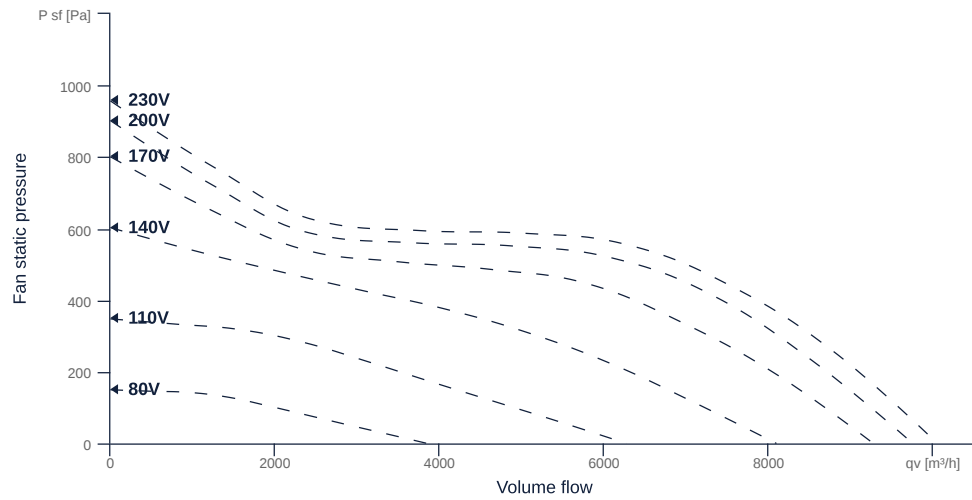
127728

- Energy efficient diagonal fan
- Optimally tuned and CFD-optimized aerodynamics
- Soundproof housing made of galvanized sheet steel
- Removable fan unit
- Robust single phase AC motor, voltage controllable
- Integrated thermal switch



MAP

Name	Value	Unit
Volume flow	0	m ³ /h
Pressure	0	Pa



to the product detail page

ELKI 8050 E2 10

127728

ruck

GENERAL DATA

Name	Value	Unit	Formula symbol
Certifications	CE, UKCA		
Duct size	800x500		WxH _{duct}
Pipe connection size (DN)	-		DN
Rated voltage (entire device)	230	V	U _{rated}
Phases (entire device)	1~		phase
Electrical protection (entire device)	16 A		fuse
Housing material	Galvanized steel		mat _{casing}
Impeller material	Plastic		mat _{impeller}
IP-protection class (entire device)	IPX4		IP _{compl}
IP-Protection class (terminal box)	IP44		IP _{ebox}
Weight	49.15	kg	m
Nominal air flow rate, nominal point m ³ /h	7581.6	m ³ /h	q _{v,nom}
Nominal external pressure, static	433	Pa	p _{s,nom}
Fan type	Diagonal		Fan _{type}
Category / Installation situation	A		cat

ERP DATA (LOT 6)

Name	Value	Unit	Formula symbol
Nominal air flow rate, nominal point m ³ /s	2.11	m ³ /s	q _{v,nom}
Actual electrical input power, nominal point	1.88	kW	P _{e,nom}
Face velocity, nominal point	5.27	m/s	v _{nom}
Nominal external pressure, static	433	Pa	p _{s,nom}
supply air fan static efficiency, nominal point	50	%	η _{es,SUP}
Enclosure sound level, nominal point	71	dB(A)	L _{WA2}
Rating	Product is compliant 2018		



ELKI 8050 E2 10

127728

ruck

MAXIMAL DATA

Name	Value	Unit	Formula symbol
Max. power consumption (device)	1889	W	$P_{ed, max}$
Max. operating current (device)	10.64	A	$I_{ed, max}$
Max. speed	2850	1/min	n_{max}
Max. stat. efficiency	50.2	%	η_{es}
Max. fan efficiency	51.4	%	η_e
Max. flowrate	10050	m ³ /h	$q_{v, max}$
Max. stat pressure	960	Pa	$p_{sf, max}$
Max. medium temperature	45	°C	$T_{m, max}$
Max. environment temperature	45	°C	$T_{amb, max}$
Min. environment temperature	-25	°C	$T_{amb, min}$
Min. voltage	80	V	U_{min}

MOTOR DATA

Name	Value		Unit	Formula symbol
	50 Hz	60 Hz		
Rated frequency (device)		50		f
Motor type		AC 1~		phase
Control type		stepless-controlled		ctrltype
Installation type		IRM (In)		install
Rotation direction		right		rotation
Isolation class		ISO F		ISOclass
Motor-protection		TMI		protectmotor
Protection class		IP00		IPmotor
Is pole-changeable		No		polexch
Type of power supply		AC 1~		pwrsupmotor
Capacity capacitor		22	µF	Ccond
Voltage capacitor		400	V	VUcond
Number of poles (1)		2.000000		num polesw1
Rated voltage	230		V	$U_{rated, f1}$
Rated current	3.5		A	$I_{rated, f1}$
Shaft power	550		W	$P_{out, f1}$
Speed	2800		1/min	n_{f1}
Cos Phi	0.990000	0.000000		$\cos \varphi$
UL-Certification motor			None	ULcert

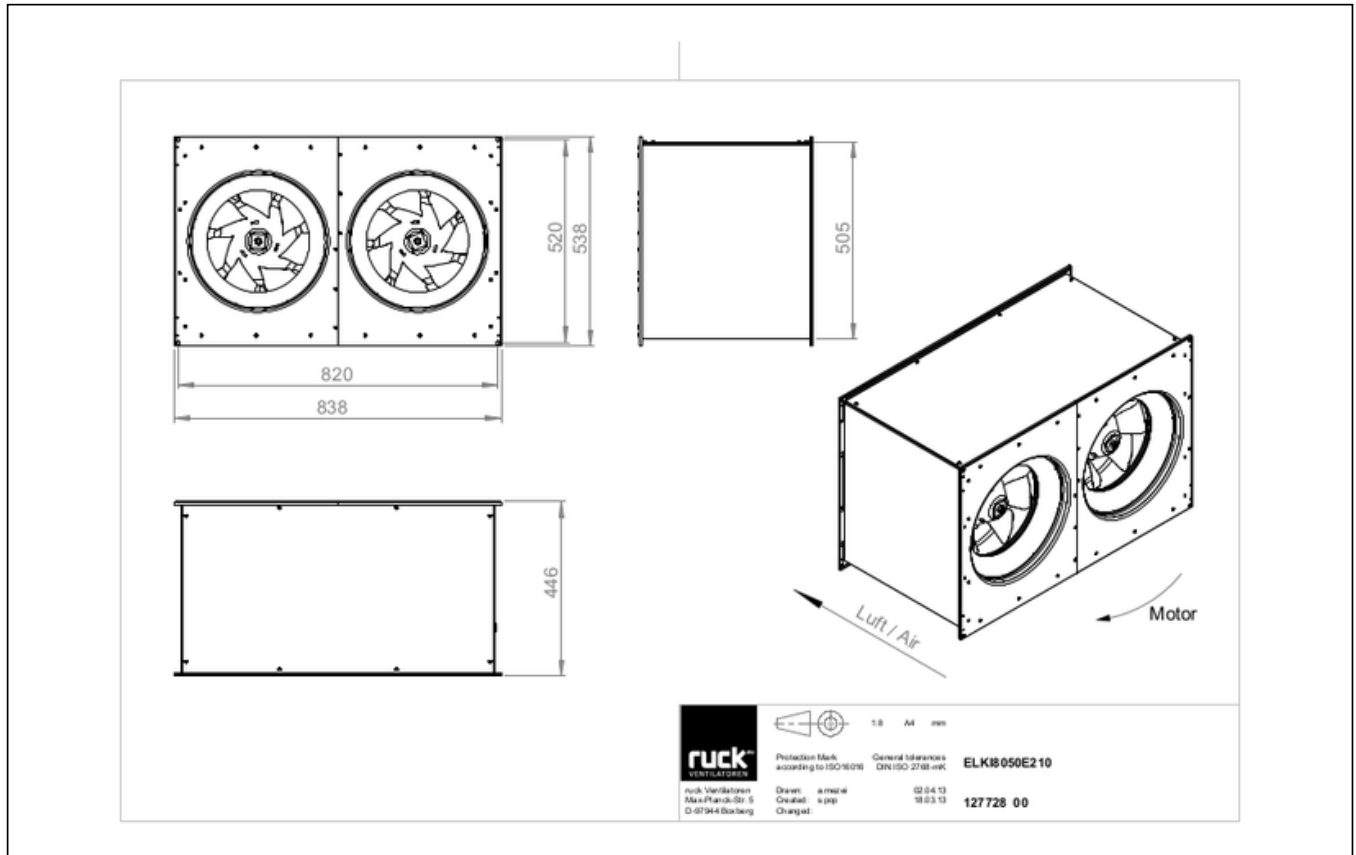


to the product detail page

ELKI 8050 E2 10

127728

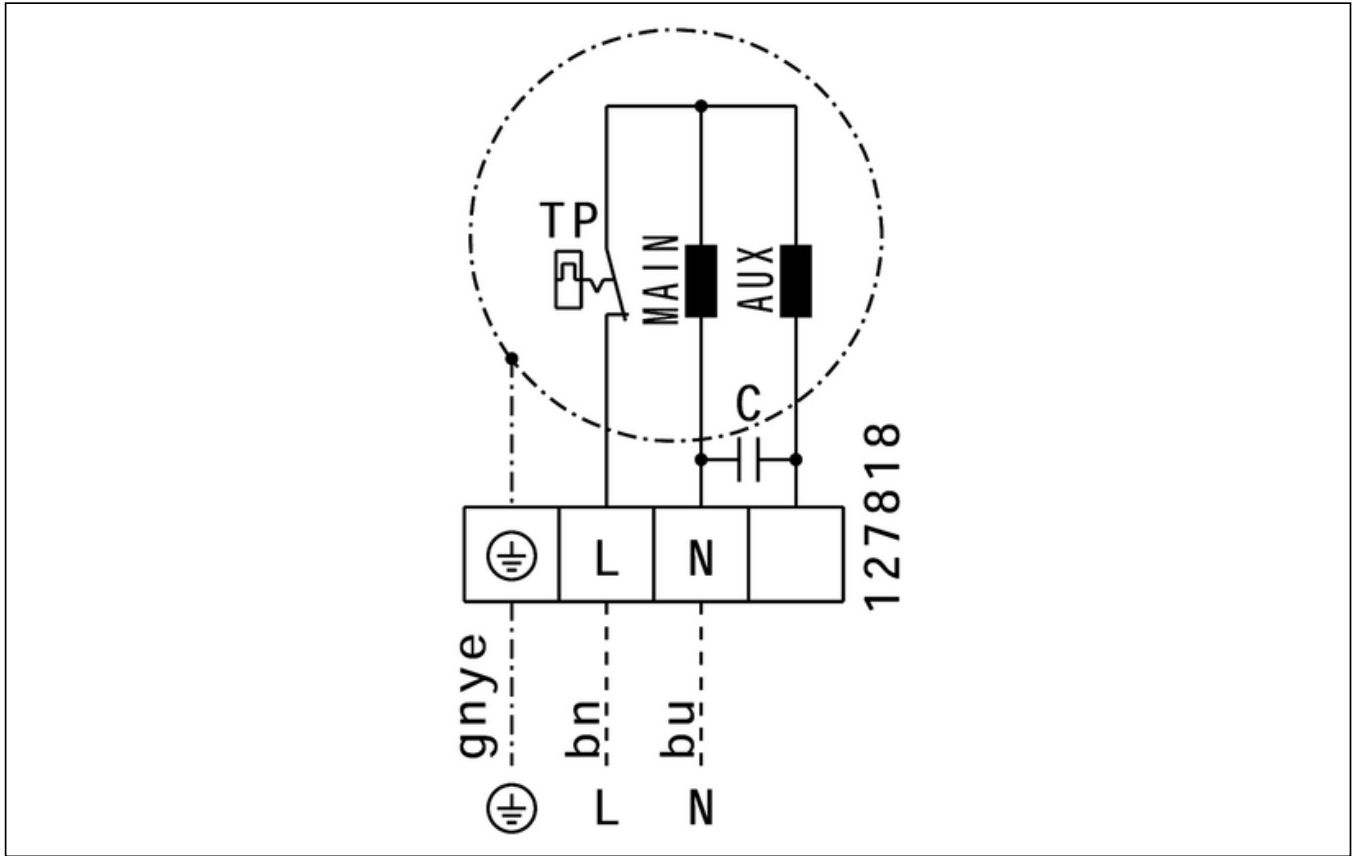
CIRCUIT DIAGRAMS / DIMENSIONAL DRAWINGS



to the product detail page

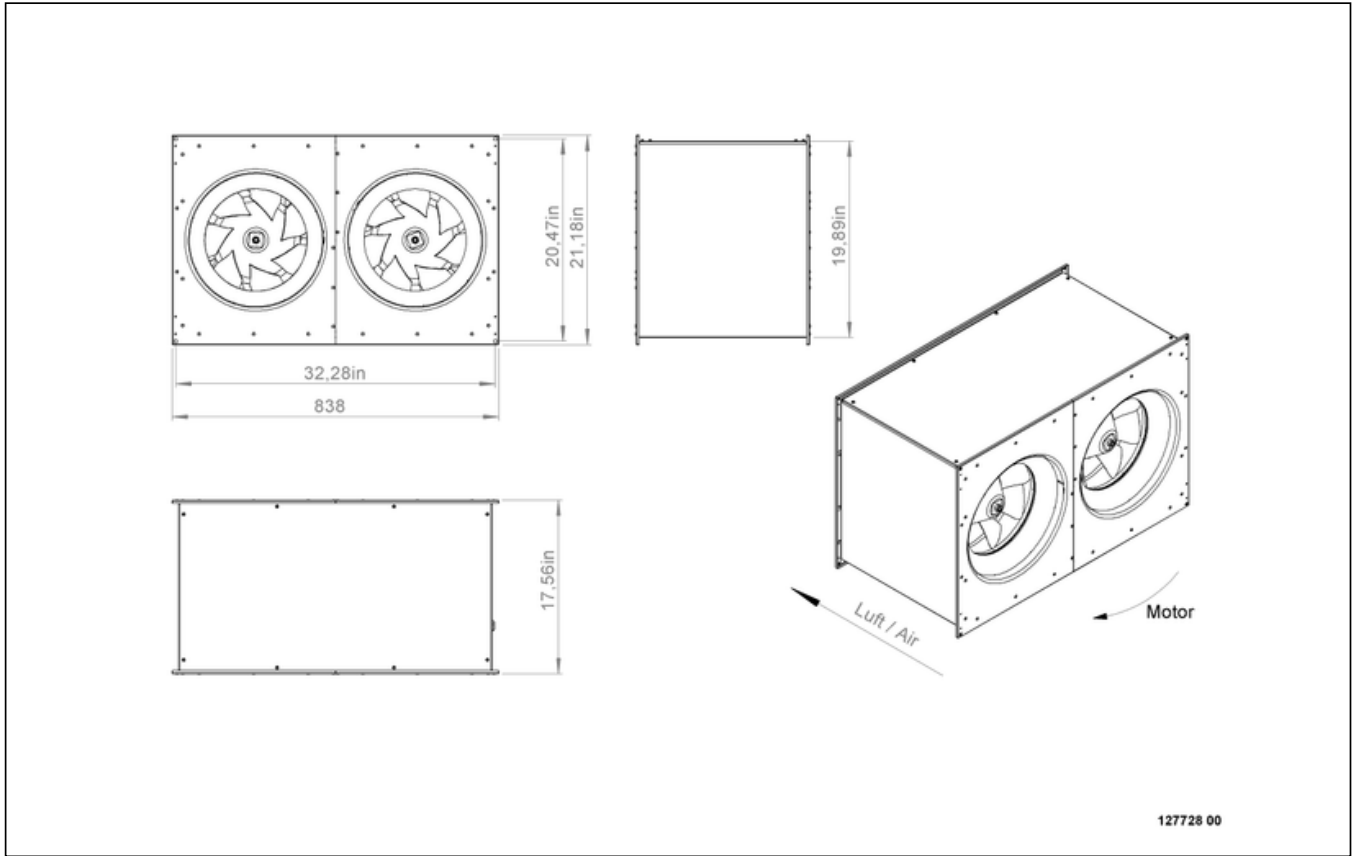
ELKI 8050 E2 10

127728



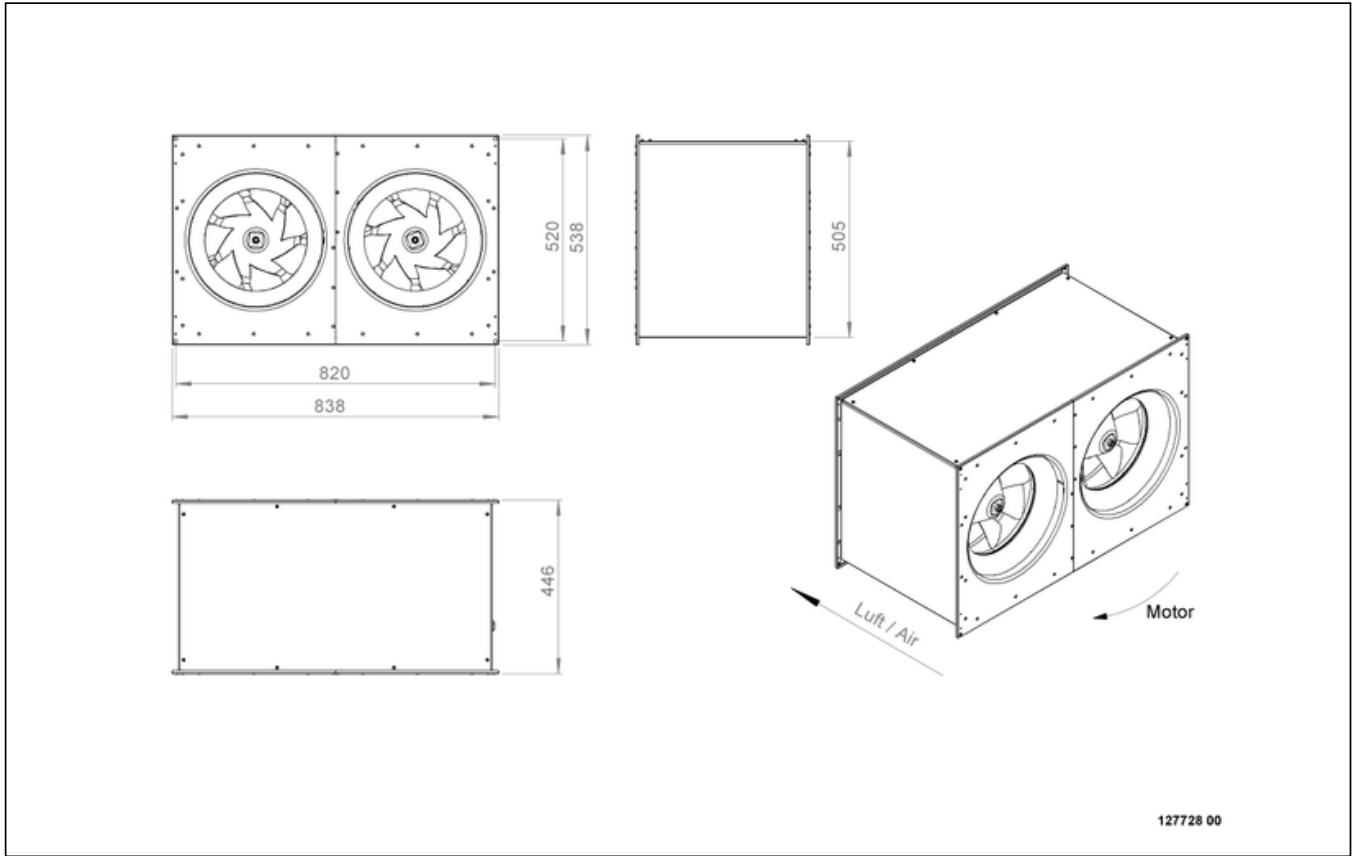
ELKI 8050 E2 10

127728



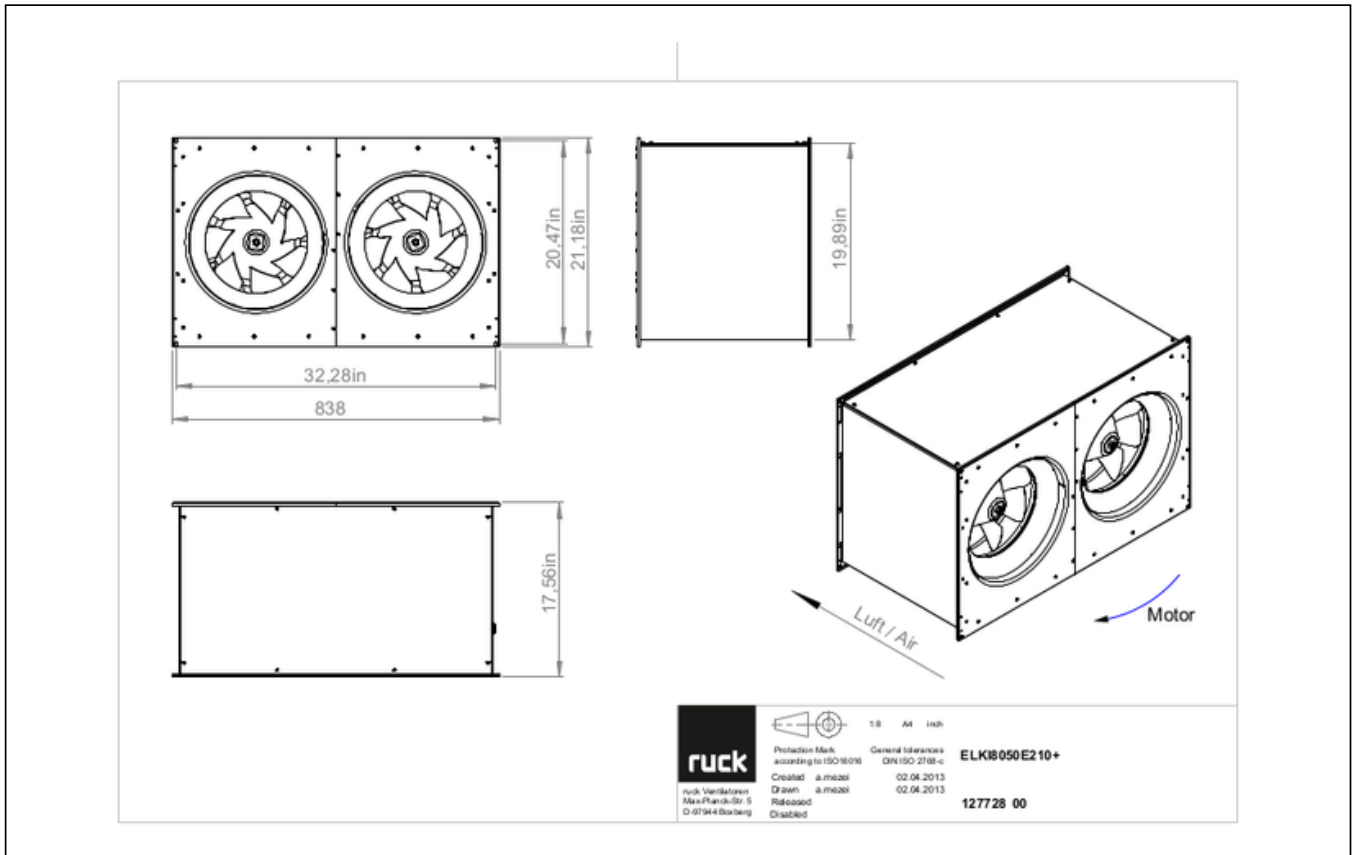
ELKI 8050 E2 10

127728



ELKI 8050 E2 10

127728



MECHANICAL ACCESSORIES

VKK 8050 | 103945



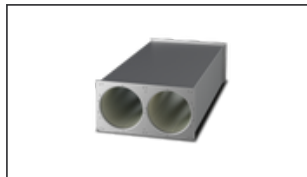
- Automatic shutter
- Plastic, weather resistant
- Temperature resistant up to 70 °C

VS 8050 | 103953



- Duct connector, flexible
- Standard profile flange P20
- Galvanized steel sheet, plastic band (PVC)
- Temperature resistant up to 70 °C

SDE 8050 L02 | 127754



- Duct silencer
- Sendzimir galvanized sheet steel housing
- Sound absorption by mineral wool with fleece covering on air side
- 20 mm flange profiles



ELKI 8050 E2 10

127728

ELECTRICAL ACCESSORIES

GS 01 | 102787



- Isolator switch
- U_{max} = 400 V, 50/60 Hz
- Switching capacity 400 V 3~ = 5,5 kW
- I_{max} = 16 A

TEM 130 | 103950



- 5-step transformer
- 230 V, 50/60 Hz, 13 A
- Output voltage: 230-190-170-140-110-80-0 V
- Protection class IP 54

TES 130 02 | 146199



- 5-step transformer
- 230 V, 50/60 Hz, 13 A
- Without housing, control cabinet installation
- Protection class IP 20



to the product detail page