

# ELKI 6035 E2 11

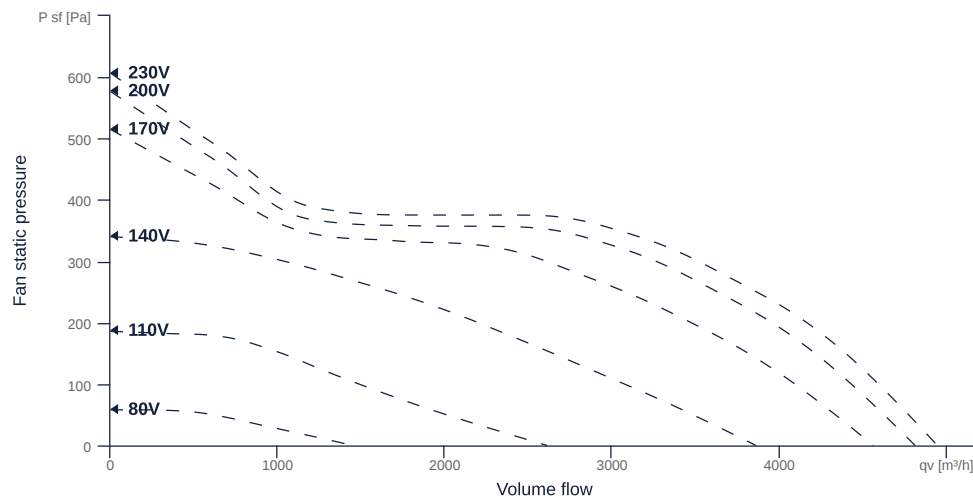
127734

- Energy efficient diagonal fan
- Optimally tuned and CFD-optimized aerodynamics
- Soundproof housing made of galvanized sheet steel
- Removable fan unit
- Robust single phase AC motor, voltage controllable
- Integrated thermal switch



## MAP

Name	Value	Unit
Volume flow	0	m³/h
Pressure	0	Pa



to the product detail page

# ELKI 6035 E2 11

127734

**ruck**

## GENERAL DATA

Name	Value	Unit	Formula symbol
Certifications	CE, UKCA		
Duct size	600x350		WxH <sub>duct</sub>
Pipe connection size (DN)	-		DN
Rated voltage (entire device)	230	V	U <sub>rated</sub>
Phases (entire device)	1~		phase
Electrical protection (entire device)	6 A		fuse
Housing material	Galvanized steel		mat <sub>casing</sub>
Impeller material	Plastic		mat <sub>impeller</sub>
IP-protection class (entire device)	IPX4		IP <sub>compl</sub>
IP-Protection class (terminal box)	IP44		IP <sub>ebox</sub>
Weight	26.4	kg	m
Nominal air flow rate, nominal point m <sup>3</sup> /h	4132.8	m <sup>3</sup> /h	q <sub>v,nom</sub>
Nominal external pressure, static	202	Pa	p <sub>s,nom</sub>
Fan type	Diagonal		Fan <sub>type</sub>
Category / Installation situation	A		cat

## ERP DATA (LOT 6)

Name	Value	Unit	Formula symbol
Nominal air flow rate, nominal point m <sup>3</sup> /s	1.15	m <sup>3</sup> /s	q <sub>v,nom</sub>
Actual electrical input power, nominal point	0.56	kW	P <sub>e,nom</sub>
Face velocity, nominal point	5.46	m/s	v <sub>nom</sub>
Nominal external pressure, static	202	Pa	p <sub>s,nom</sub>
supply air fan static efficiency, nominal point	50.5	%	η <sub>es,SUP</sub>
Enclosure sound level, nominal point	67	dB(A)	L <sub>WA2</sub>
Rating	Product is compliant 2018		



to the product detail page

## MAXIMAL DATA

Name	Value	Unit	Formula symbol
Max. power consumption (device)	562	W	$P_{ed, max}$
Max. operating current (device)	3.32	A	$I_{ed, max}$
Max. speed	2870	1/min	$n_{max}$
Max. stat. efficiency	50.3	%	$\eta_{es}$
Max. fan efficiency	51.7	%	$\eta_e$
Max. flowrate	4940	m <sup>3</sup> /h	$q_v, max$
Max. stat pressure	610	Pa	$p_{sf, max}$
Max. medium temperature	55	°C	$T_m, max$
Max. environment temperature	55	°C	$T_{amb, max}$
Min. environment temperature	-25	°C	$T_{amb, min}$
Min. voltage	80	V	$U_{min}$

## MOTOR DATA

Name	Value		Unit	Formula symbol
	50 Hz	60 Hz		
Rated frequency (device)		50		f
Motor type		AC 1~		phase
Control type		stepless-controlled		ctrltype
Installation type		IRM (In)		install
Rotation direction		right		rotation
Isolation class		ISO F		ISOclass
Motor-protection		TMI		protectmotor
Protection class		IP00		IPmotor
Is pole-changeable		No		polexch
Type of power supply		AC 1~		pwrsupmotor
Capacity capacitor		8	µF	Ccond
Voltage capacitor		450	V	VUcond
Number of poles (1)		2.000000		num polesw1
Rated voltage	230		V	$U_{rated, f1}$
Shaft power	220		W	$P_{out, f1}$
Efficiency	71.7		%	$\eta_m, f1$
Efficiency class	IE3			IEmotor
Min. temperature	-25		°C	$T_{motor, min}$
UL-Certification motor			None	ULcert

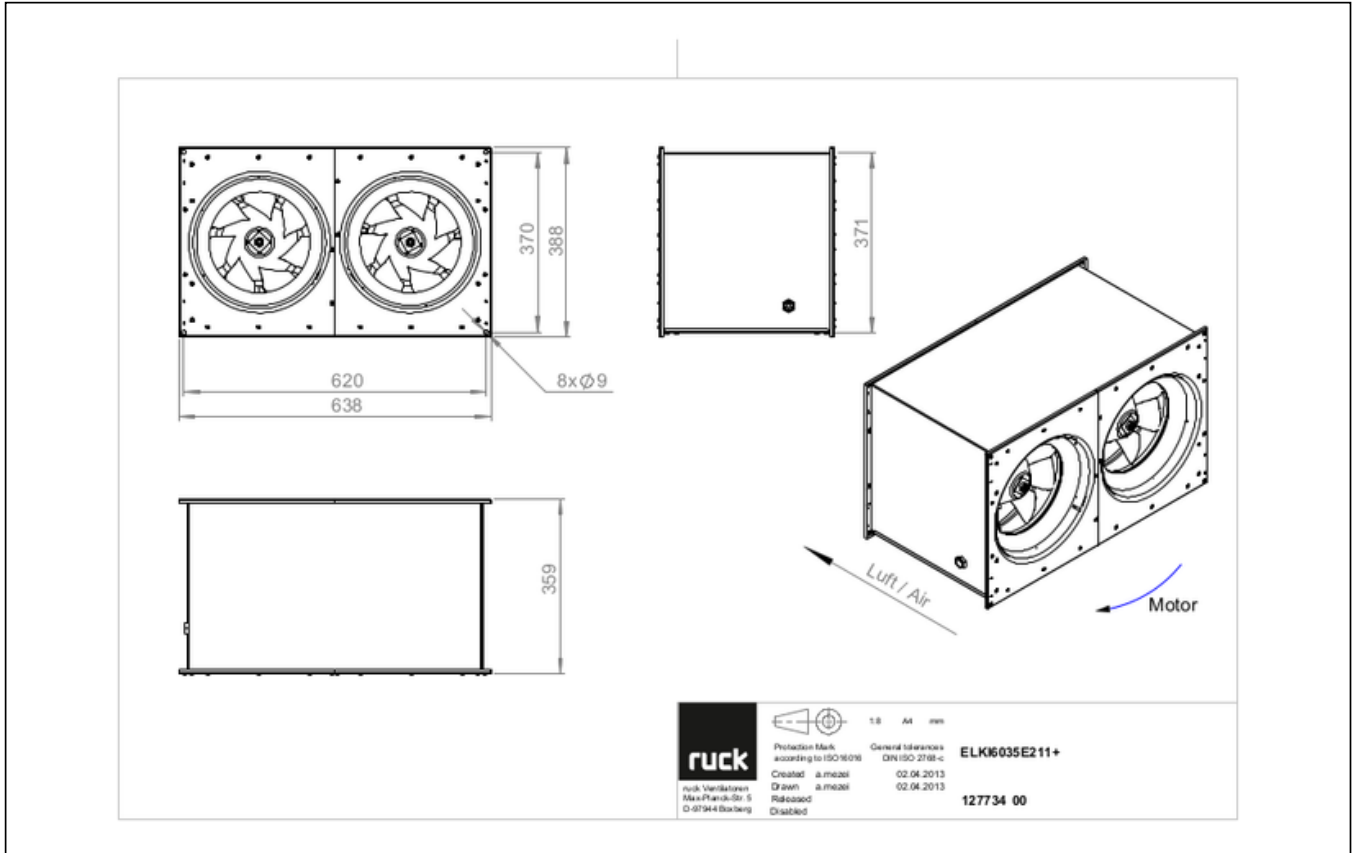


to the product detail page

# ELKI 6035 E2 11

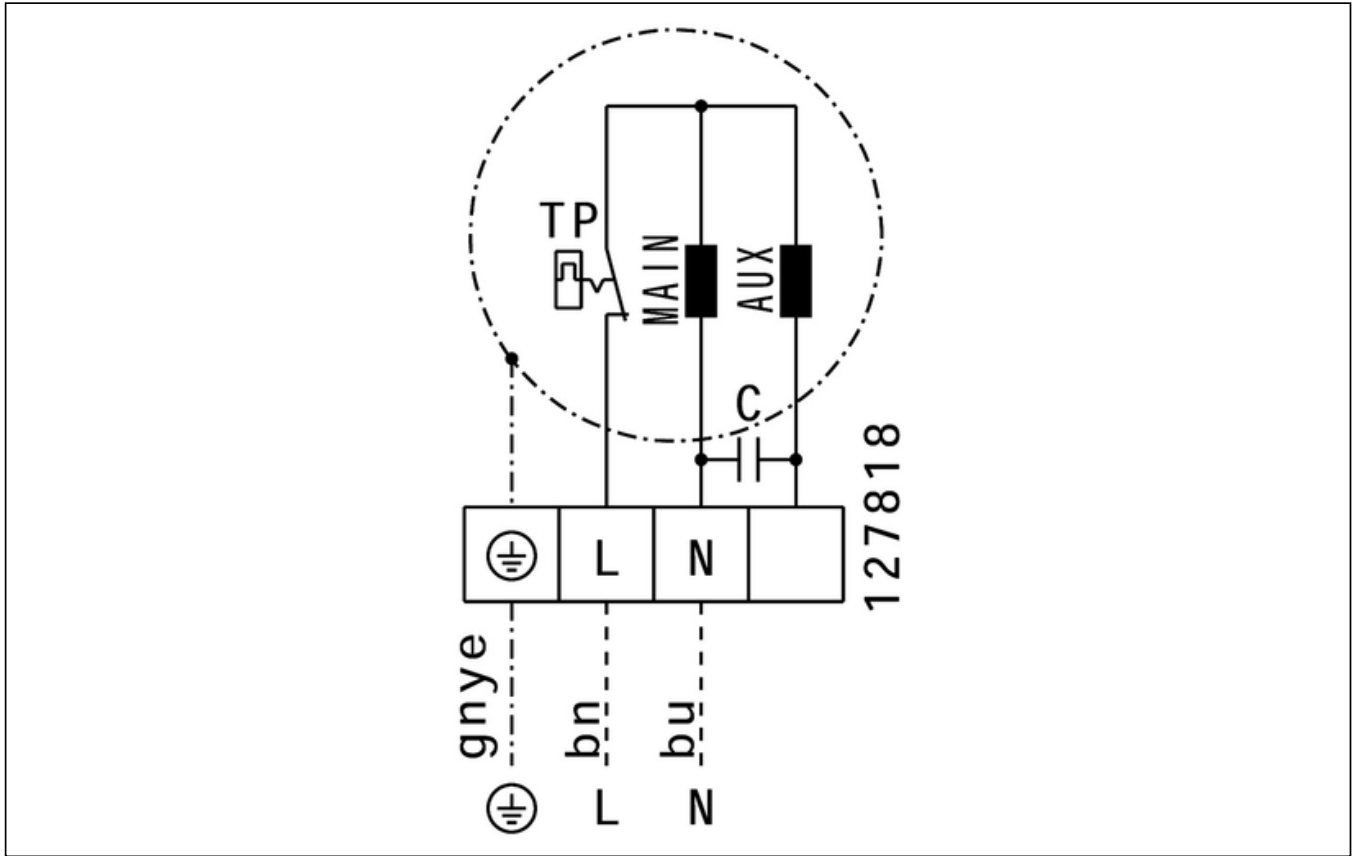
127734

## CIRCUIT DIAGRAMS / DIMENSIONAL DRAWINGS



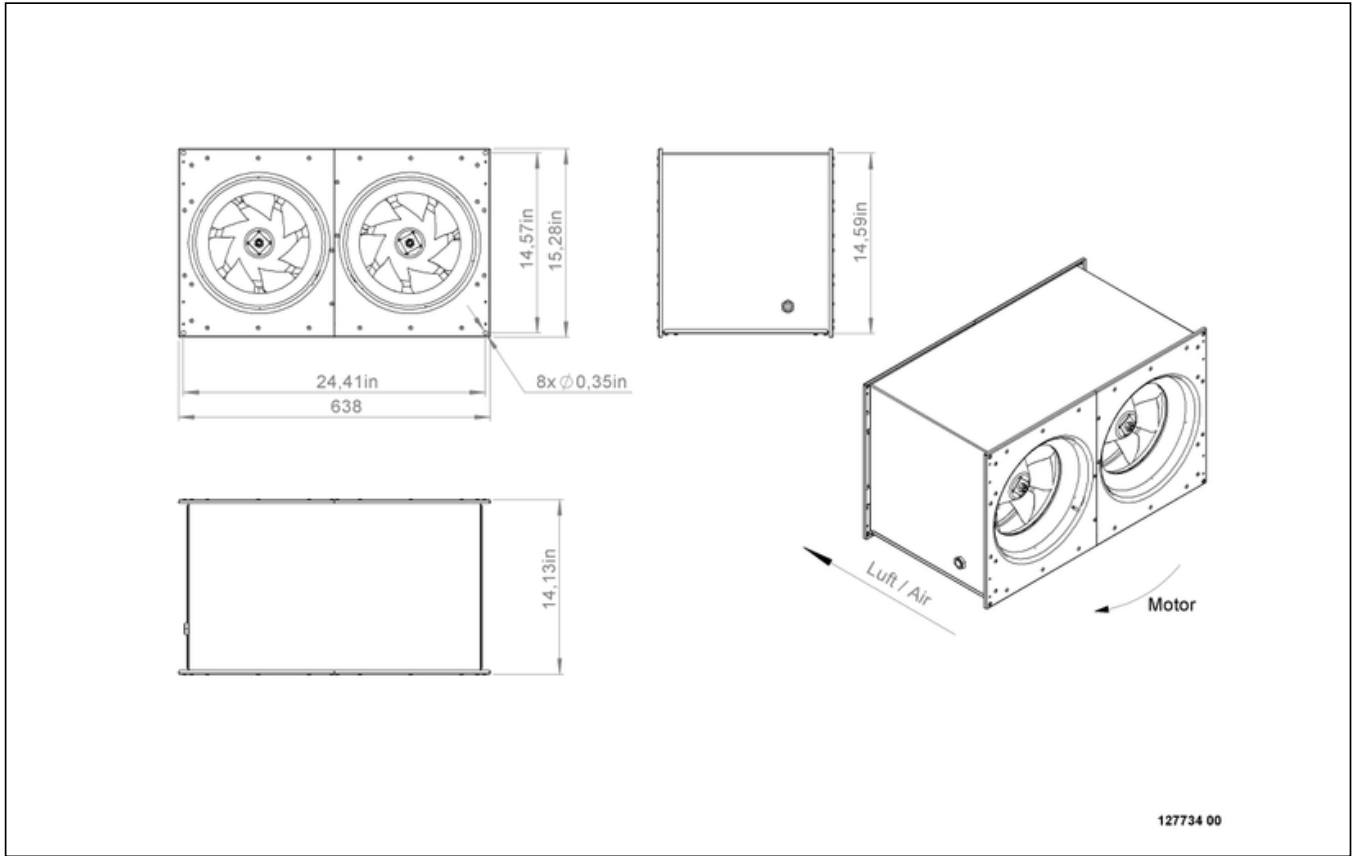
# ELKI 6035 E2 11

127734



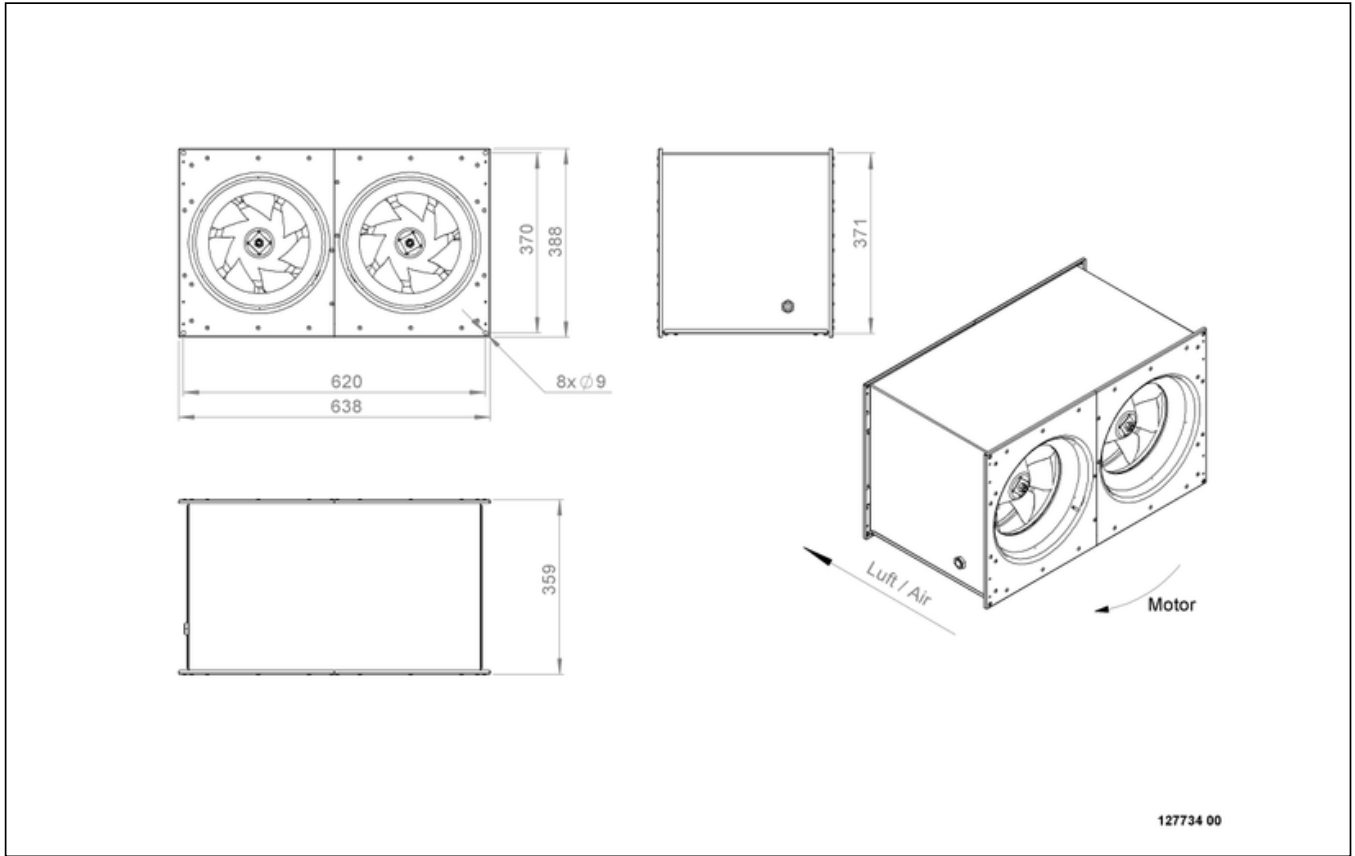
**ELKI 6035 E2 11**

127734



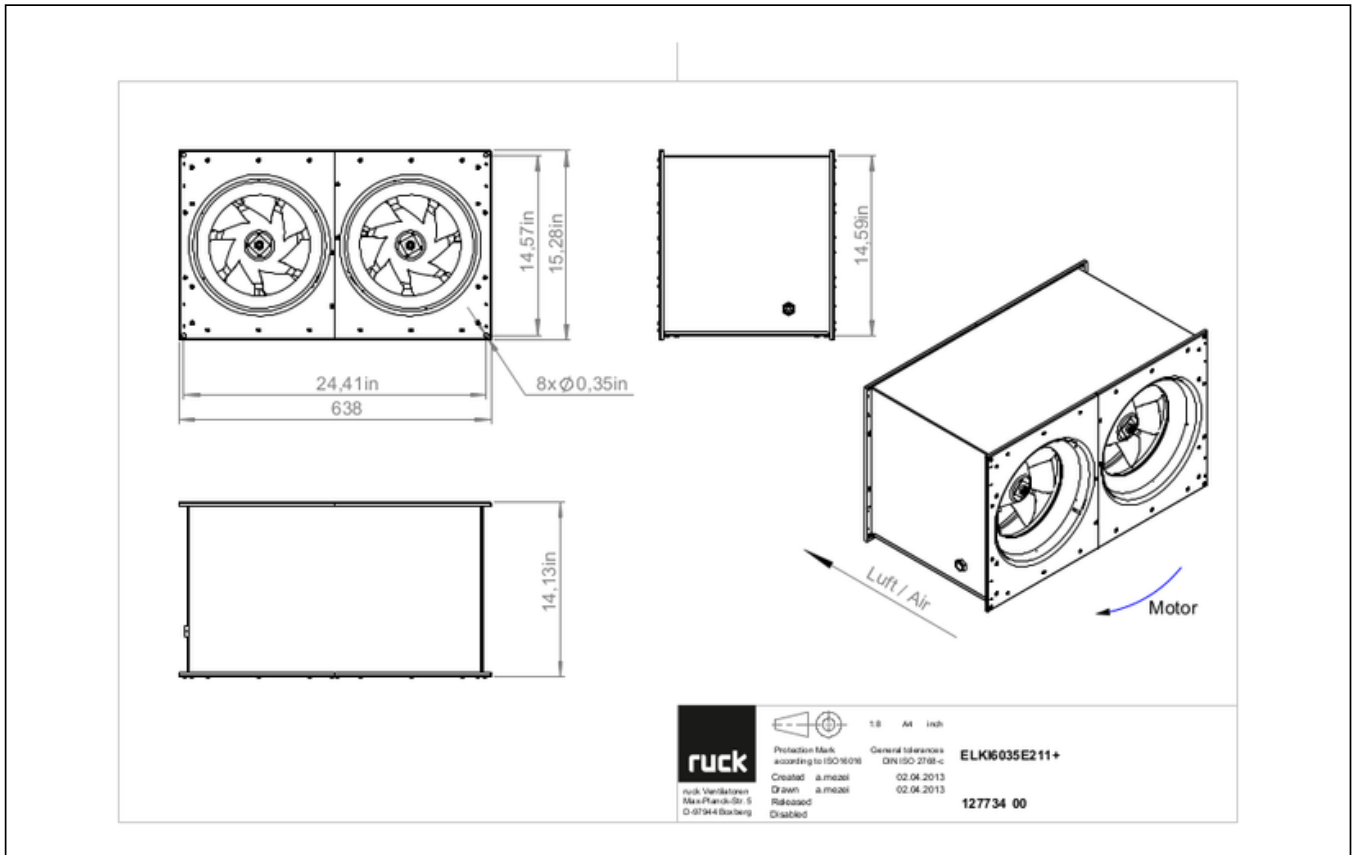
**ELKI 6035 E2 11**

127734



# ELKI 6035 E2 11

127734



## MECHANICAL ACCESSORIES

VS 6035 | 102808



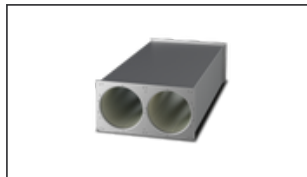
- Duct connector, flexible
- Standard profile flange P20
- Galvanized steel sheet, plastic band (PVC)
- Temperature resistant up to 70 °C

VKK 6035 | 103892



- Automatic shutter
- Plastic, weather resistant
- Temperature resistant up to 70 °C

SDE 6035 L02 | 127751



- Duct silencer
- Sendzimir galvanized sheet steel housing
- Sound absorption by mineral wool with fleece covering on air side
- 20 mm flange profiles





# ELKI 6035 E2 11

127734

## ELECTRICAL ACCESSORIES

GS 01 | 102787



- Isolator switch
- U<sub>max</sub> = 400 V, 50/60 Hz
- Switching capacity 400 V 3~ = 5,5 kW
- I<sub>max</sub> = 16 A

TEM 035 | 103502



- 5-step transformer
- 230 V, 50/60 Hz, 3,5 A
- Output voltage: 230-190-170-140-110-80-0 V
- Protection class IP 54

TEM 035V | 136273



- 5-step transformer
- 230 V ~, 50/60 Hz

TES 035 02 | 146195



- 5-step transformer
- 230 V, 50/60 Hz, 3,5 A
- Without housing, control cabinet installation
- Protection class IP 20



to the product detail page