

ELKI 6030 E2 10

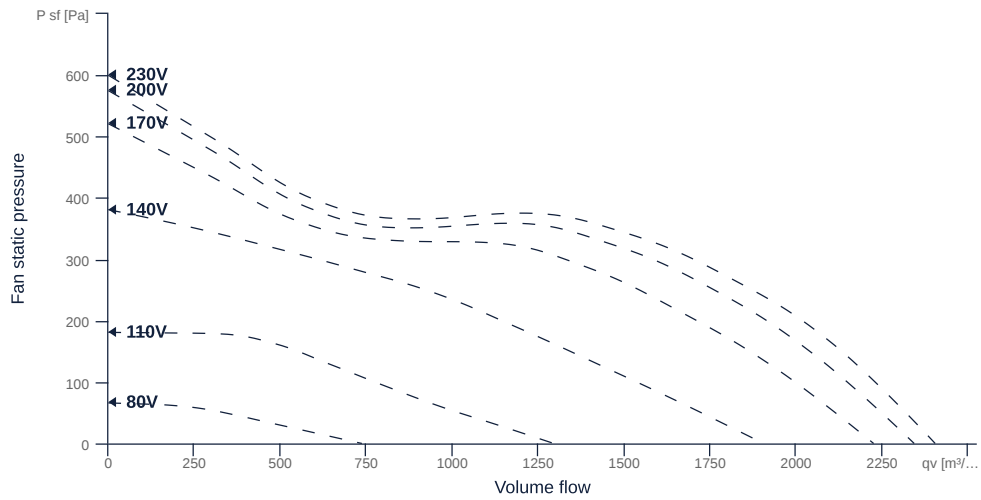
127738

- Energy efficient diagonal fan
- Optimally tuned and CFD-optimized aerodynamics
- Soundproof housing made of galvanized sheet steel
- Removable fan unit
- Robust single phase AC motor, voltage controllable
- Integrated thermal switch



MAP

Name	Value	Unit
Volume flow	0	m³/h
Pressure	0	Pa



to the product detail page

ELKI 6030 E2 10

127738

ruck

GENERAL DATA

Name	Value	Unit	Formula symbol
Certifications	CE, UKCA		
Duct size	600x300		WxH _{duct}
Pipe connection size (DN)	-		DN
Rated voltage (entire device)	230	V	U _{rated}
Phases (entire device)	1~		phase
Electrical protection (entire device)	6 A		fuse
Housing material	Galvanized steel		mat _{casing}
Impeller material	Plastic		mat _{impeller}
IP-protection class (entire device)	IPX4		IP _{compl}
IP-Protection class (terminal box)	IP44		IP _{ebox}
Weight	17.93	kg	m
Nominal air flow rate, nominal point m ³ /h	2048.4	m ³ /h	q _{v,nom}
Nominal external pressure, static	186	Pa	p _{s,nom}
Fan type	Diagonal		Fan _{type}
Category / Installation situation	A		cat

ERP DATA (LOT 6)

Name	Value	Unit	Formula symbol
Nominal air flow rate, nominal point m ³ /s	0.57	m ³ /s	q _{v,nom}
Actual electrical input power, nominal point	0.28	kW	P _{e,nom}
Face velocity, nominal point	3.16	m/s	v _{nom}
Nominal external pressure, static	186	Pa	p _{s,nom}
supply air fan static efficiency, nominal point	49.6	%	η _{es,SUP}
Enclosure sound level, nominal point	62	dB(A)	L _{WA2}
Rating	Product is compliant 2018		



MAXIMAL DATA

Name	Value	Unit	Formula symbol
Max. power consumption (device)	282	W	$P_{ed, max}$
Max. operating current (device)	1.73	A	$I_{ed, max}$
Max. speed	2890	1/min	n_{max}
Max. stat. efficiency	49.2	%	η_{es}
Max. fan efficiency	49.6	%	η_e
Max. flowrate	2400	m ³ /h	$q_{v, max}$
Max. stat pressure	600	Pa	$p_{sf, max}$
Max. medium temperature	55	°C	T_m, max
Max. environment temperature	55	°C	$T_{amb, max}$
Min. environment temperature	-25	°C	$T_{amb, min}$
Min. voltage	80	V	U_{min}

MOTOR DATA

Name	Value		Unit	Formula symbol
	50 Hz	60 Hz		
Rated frequency (device)		50		f
Motor type		AC 1~		phase
Control type		stepless-controlled		ctrltype
Installation type		IRM (In)		install
Rotation direction		right		rotation
Isolation class		ISO F		ISOclass
Motor-protection		TMI		protectmotor
Protection class		IP00		IPmotor
Is pole-changeable		No		polexch
Type of power supply		AC 1~		pwrSupmotor
Capacity capacitor		8	µF	Ccond
Voltage capacitor		450	V	VUcond
Number of poles (1)		2.000000		num polesw1
Rated voltage	230		V	$U_{rated, f1}$
Shaft power	220		W	$P_{out, f1}$
Efficiency	71.7		%	$\eta_m, f1$
Efficiency class	IE3			IEmotor
Min. temperature	-25		°C	$T_{motor, min}$
UL-Certification motor			None	ULcert

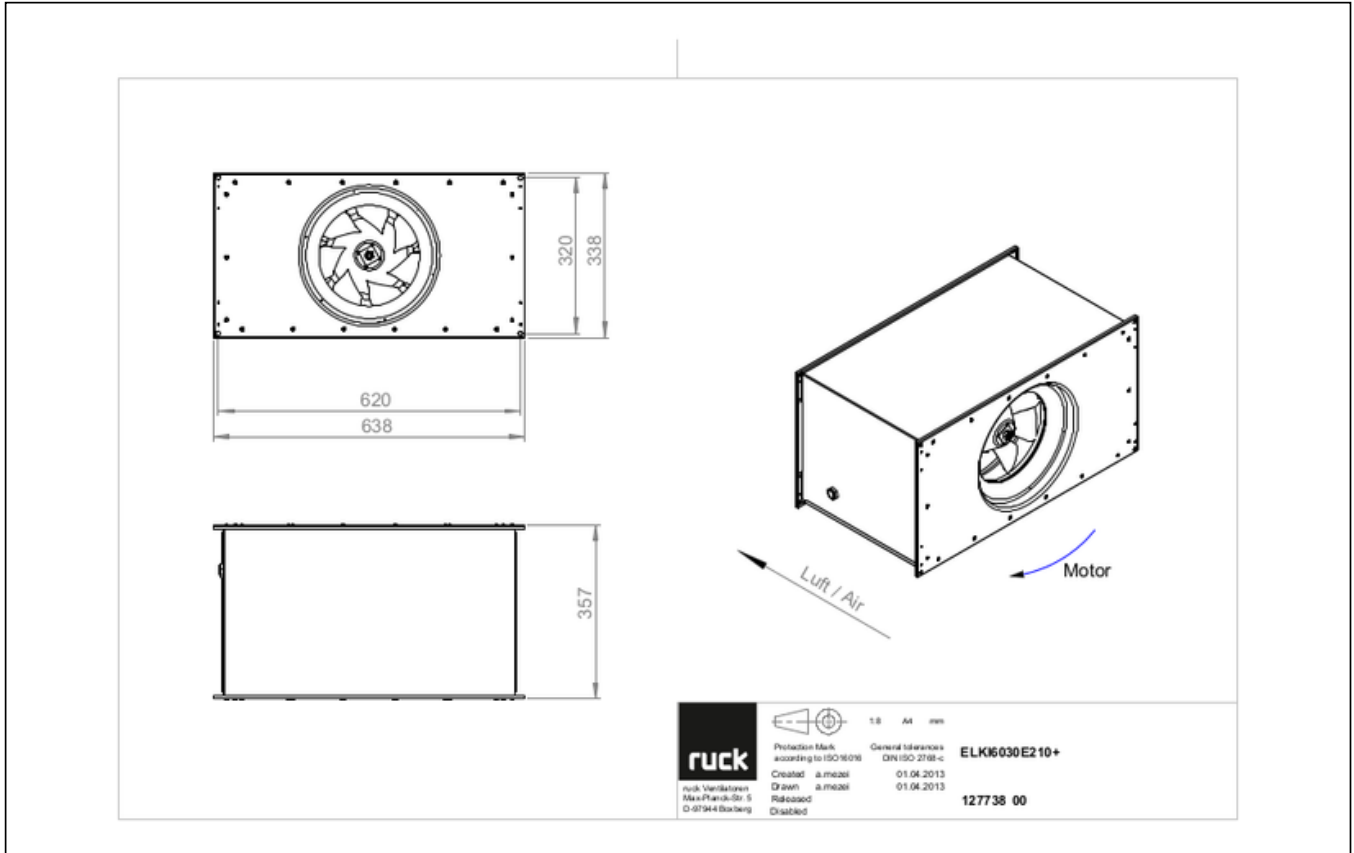


to the product detail page

ELKI 6030 E2 10

127738

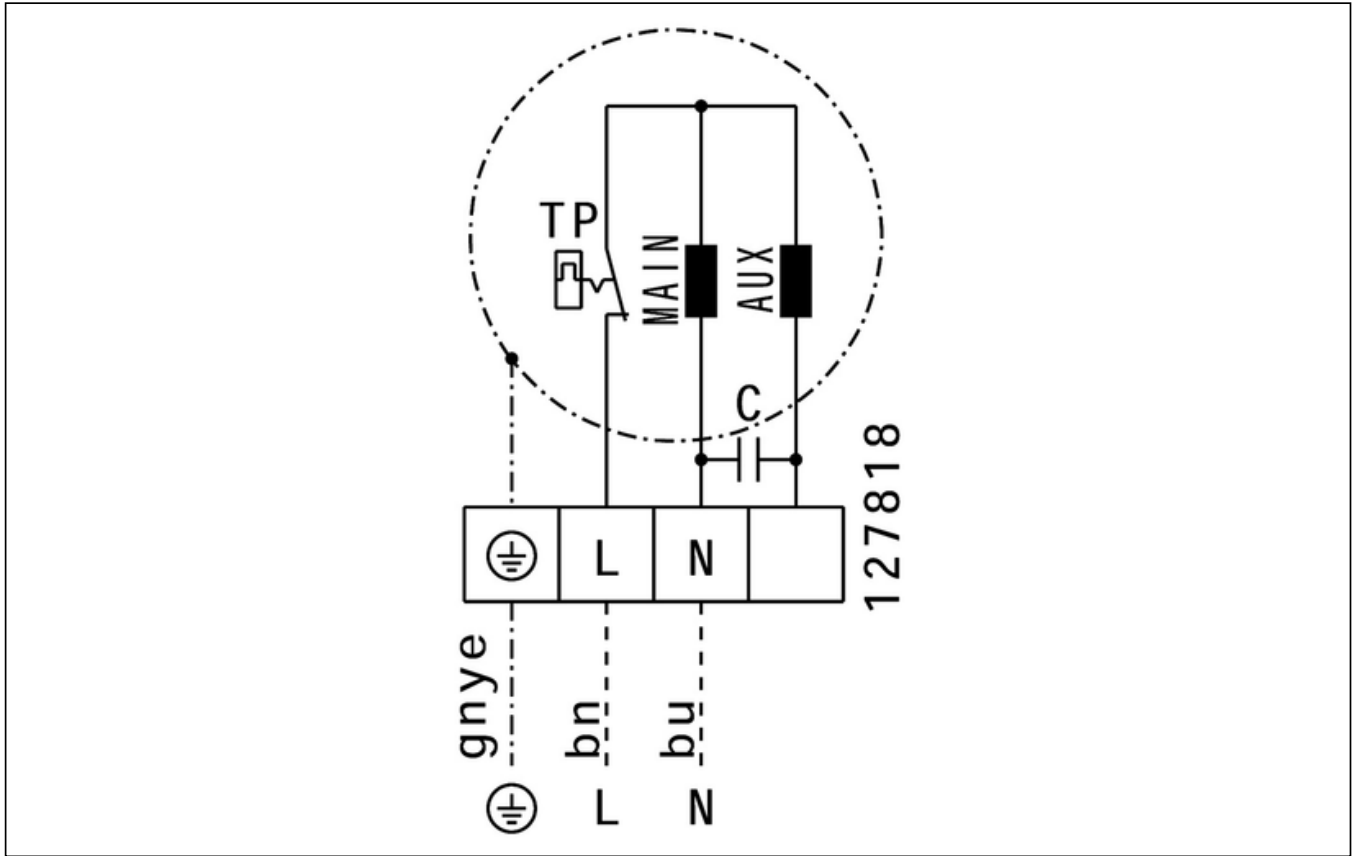
CIRCUIT DIAGRAMS / DIMENSIONAL DRAWINGS



to the product detail page

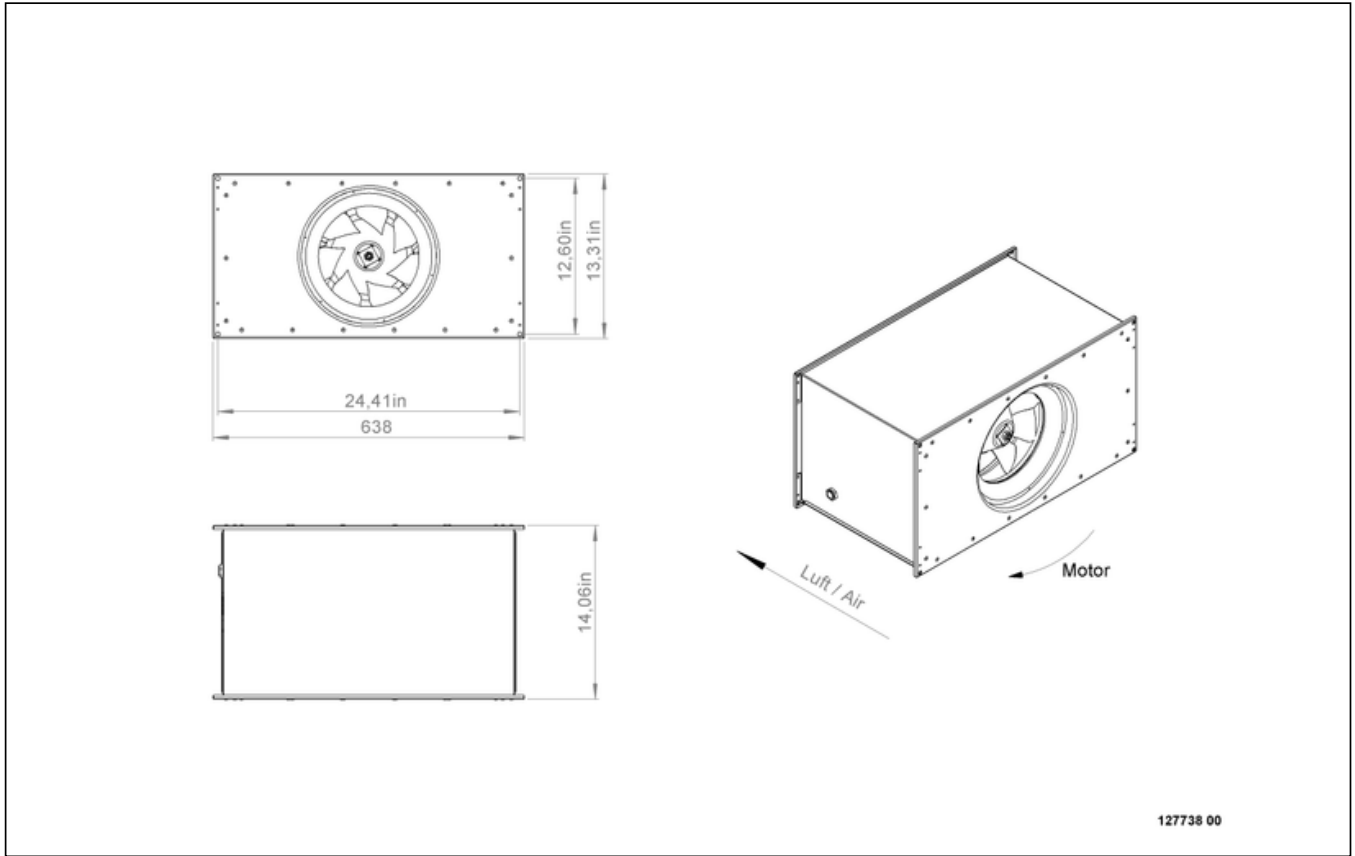
ELKI 6030 E2 10

127738



ELKI 6030 E2 10

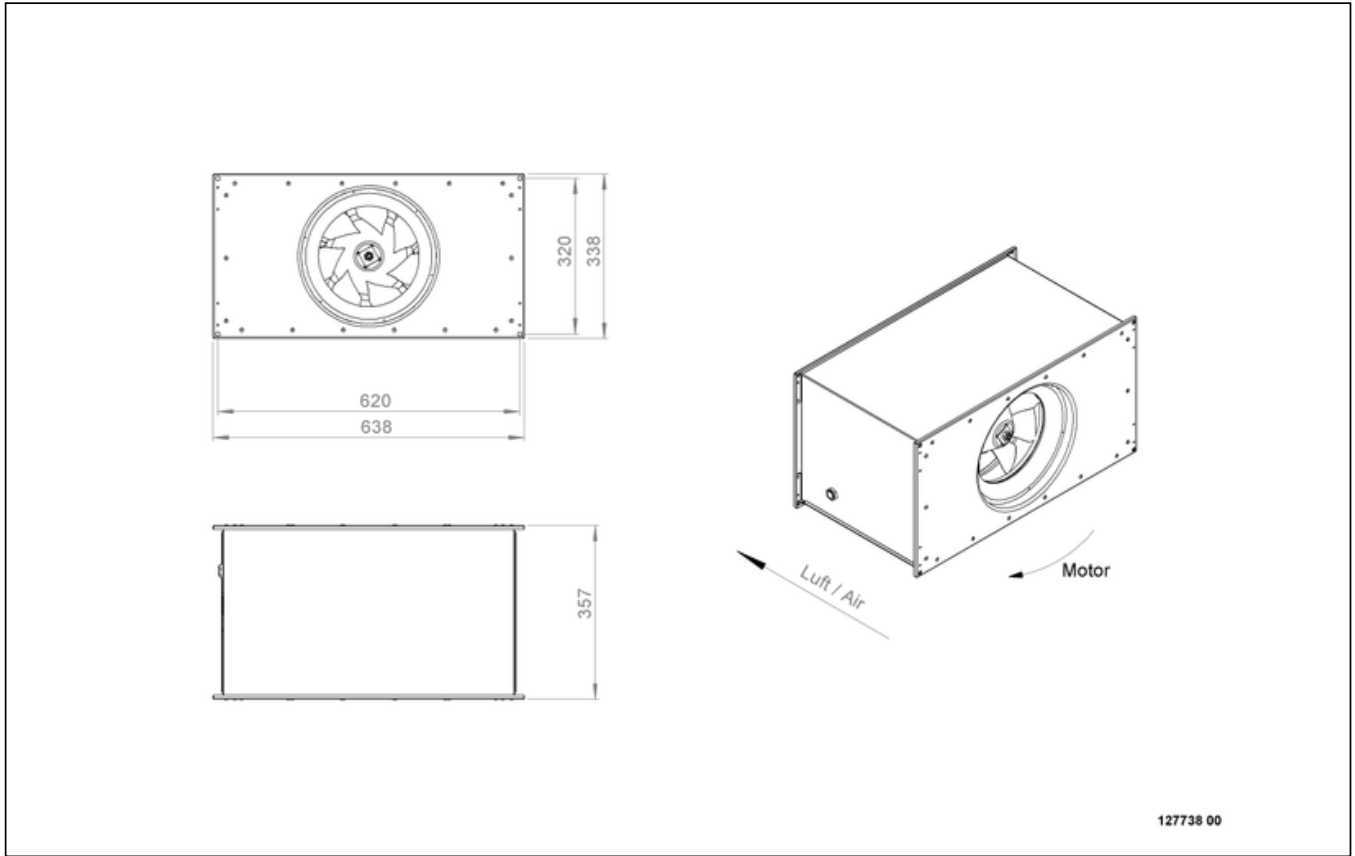
127738



to the product detail page

ELKI 6030 E2 10

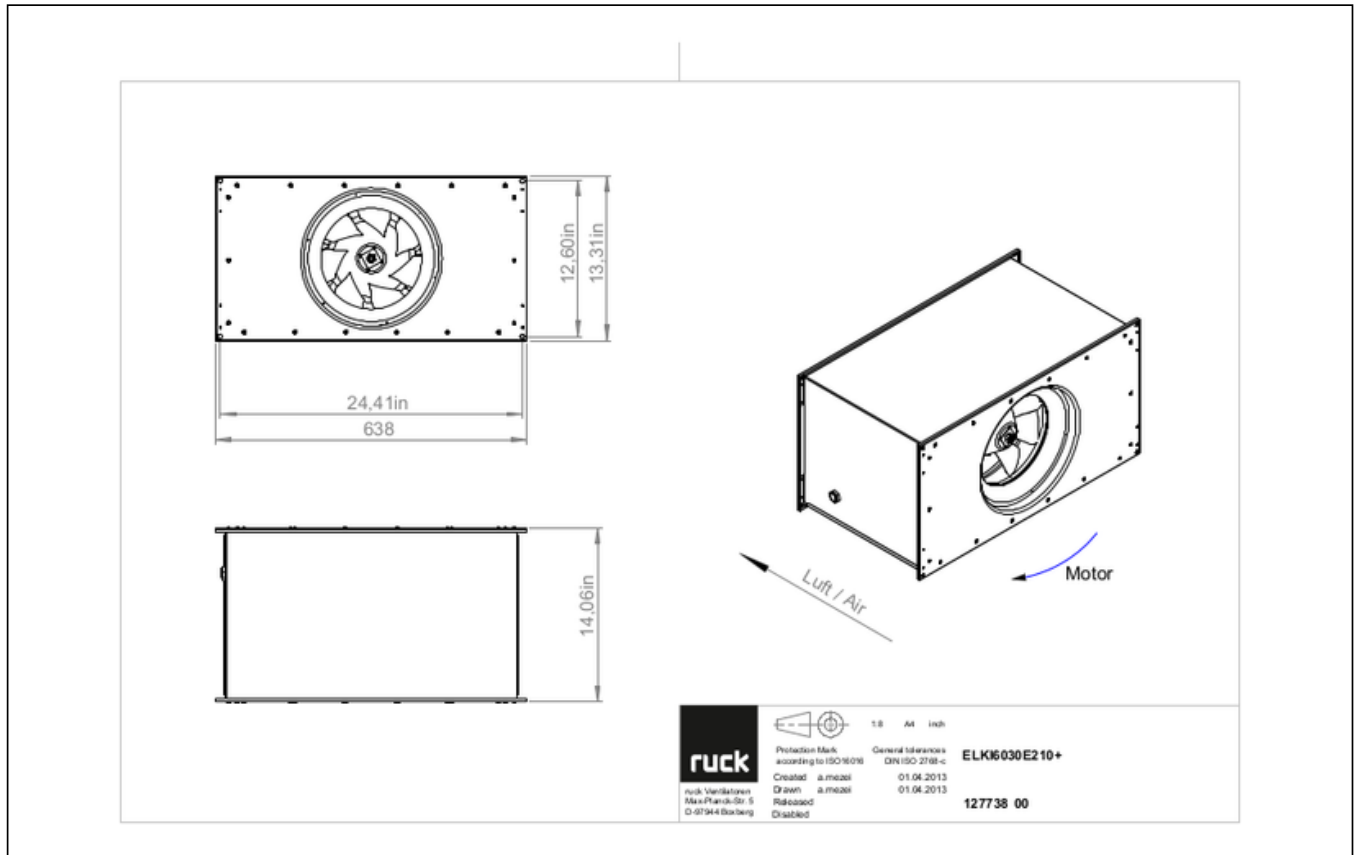
127738



[to the product detail page](#)

ELKI 6030 E2 10

127738



MECHANICAL ACCESSORIES

VS 6030 | 102806



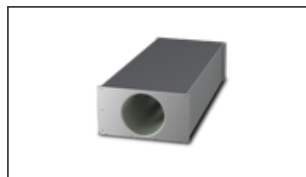
- Duct connector, flexible
- Standard profile flange P20
- Galvanized steel sheet, plastic band (PVC)
- Temperature resistant up to 70 °C

VKK 6030 | 103895



- Automatic shutter
- Plastic, weather resistant
- Temperature resistant up to 70 °C

SDE 6030 L01 | 127750



- Duct silencer
- Sendzimir galvanized sheet steel housing
- Sound absorption by mineral wool with fleece covering on air side
- 20 mm flange profiles



ELKI 6030 E2 10

127738

ELECTRICAL ACCESSORIES

GS 01 | 102787



- Isolator switch
- $U_{max} = 400 \text{ V}$, 50/60 Hz
- Switching capacity 400 V 3~ = 5,5 kW
- $I_{max} = 16 \text{ A}$

TEM 035 | 103502



- 5-step transformer
- 230 V, 50/60 Hz, 3,5 A
- Output voltage: 230-190-170-140-110-80-0 V
- Protection class IP 54

TES 035 02 | 146195



- 5-step transformer
- 230 V, 50/60 Hz, 3,5 A
- Without housing, control cabinet installation
- Protection class IP 20



to the product detail page