

ELKI 5025 E2 10

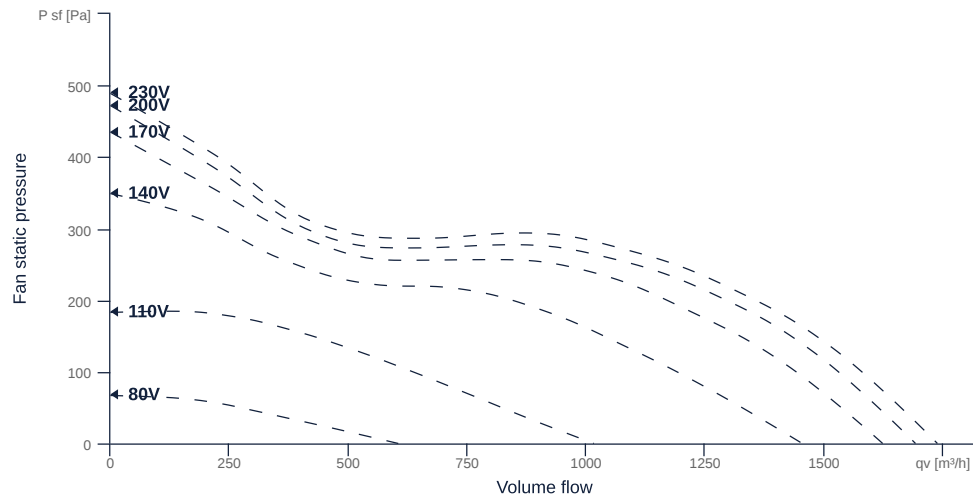
127744

- Energy efficient diagonal fan
- Optimally tuned and CFD-optimized aerodynamics
- Soundproof housing made of galvanized sheet steel
- Removable fan unit
- Robust single phase AC motor, voltage controllable
- Integrated thermal switch



MAP

Name	Value	Unit
Volume flow	0	m ³ /h
Pressure	0	Pa



to the product detail page

ELKI 5025 E2 10

127744

ruck

GENERAL DATA

Name	Value	Unit	Formula symbol
Certifications	CE, UKCA		
Duct size	500x250		WxH _{duct}
Pipe connection size (DN)	-		DN
Rated voltage (entire device)	230	V	U _{rated}
Phases (entire device)	1~		phase
Electrical protection (entire device)	6 A		fuse
Housing material	Galvanized steel		mat _{casing}
Impeller material	Plastic		mat _{impeller}
IP-protection class (entire device)	IPX4		IP _{compl}
IP-Protection class (terminal box)	IP44		IP _{ebox}
Weight	13.64	kg	m
Nominal air flow rate, nominal point m ³ /h	1476	m ³ /h	q _{v,nom}
Nominal external pressure, static	151	Pa	p _{s,nom}
Fan type	Diagonal		Fan _{type}
Category / Installation situation	A		cat

ERP DATA (LOT 6)

Name	Value	Unit	Formula symbol
Nominal air flow rate, nominal point m ³ /s	0.41	m ³ /s	q _{v,nom}
Actual electrical input power, nominal point	0.18	kW	P _{e,nom}
Face velocity, nominal point	3.28	m/s	v _{nom}
Nominal external pressure, static	151	Pa	p _{s,nom}
supply air fan static efficiency, nominal point	44.1	%	η _{es,SUP}
Enclosure sound level, nominal point	57	dB(A)	L _{WA2}
Rating	Product is compliant 2018		



ELKI 5025 E2 10

127744

ruck

MAXIMAL DATA

Name	Value	Unit	Formula symbol
Max. power consumption (device)	183	W	$P_{ed, max}$
Max. operating current (device)	1.02	A	$I_{ed, max}$
Max. speed	2880	1/min	n_{max}
Max. stat. efficiency	43.6	%	η_{es}
Max. fan efficiency	44.1	%	η_e
Max. flowrate	1740	m ³ /h	$q_{v, max}$
Max. stat pressure	490	Pa	$p_{sf, max}$
Max. medium temperature	55	°C	T_m, max
Max. environment temperature	55	°C	$T_{amb, max}$
Min. environment temperature	-25	°C	$T_{amb, min}$
Min. voltage	80	V	U_{min}

MOTOR DATA

Name	Value		Unit	Formula symbol
	50 Hz	60 Hz		
Rated frequency (device)		50		f
Motor type		AC 1-		phase
Control type		stepless-controlled		ctrltype
Installation type		IRM (In)		install
Rotation direction		right		rotation
Isolation class		ISO F		ISOclass
Motor-protection		TMI		protectmotor
Protection class		IP00		IPmotor
Is pole-changeable		No		polexch
Type of power supply		AC 1-		pwrsupmotor
Capacity capacitor		6	μF	Ccond
Voltage capacitor		400	V	VUcond
Number of poles (1)		2.000000		num polesw1
Rated voltage	230		V	$U_{rated, f1}$
Rated current	0.9		A	$I_{rated, f1}$
Speed	2750		1/min	n_{f1}
UL-Certification motor			None	ULcert



to the product detail page

ELKI 5025 E2 10

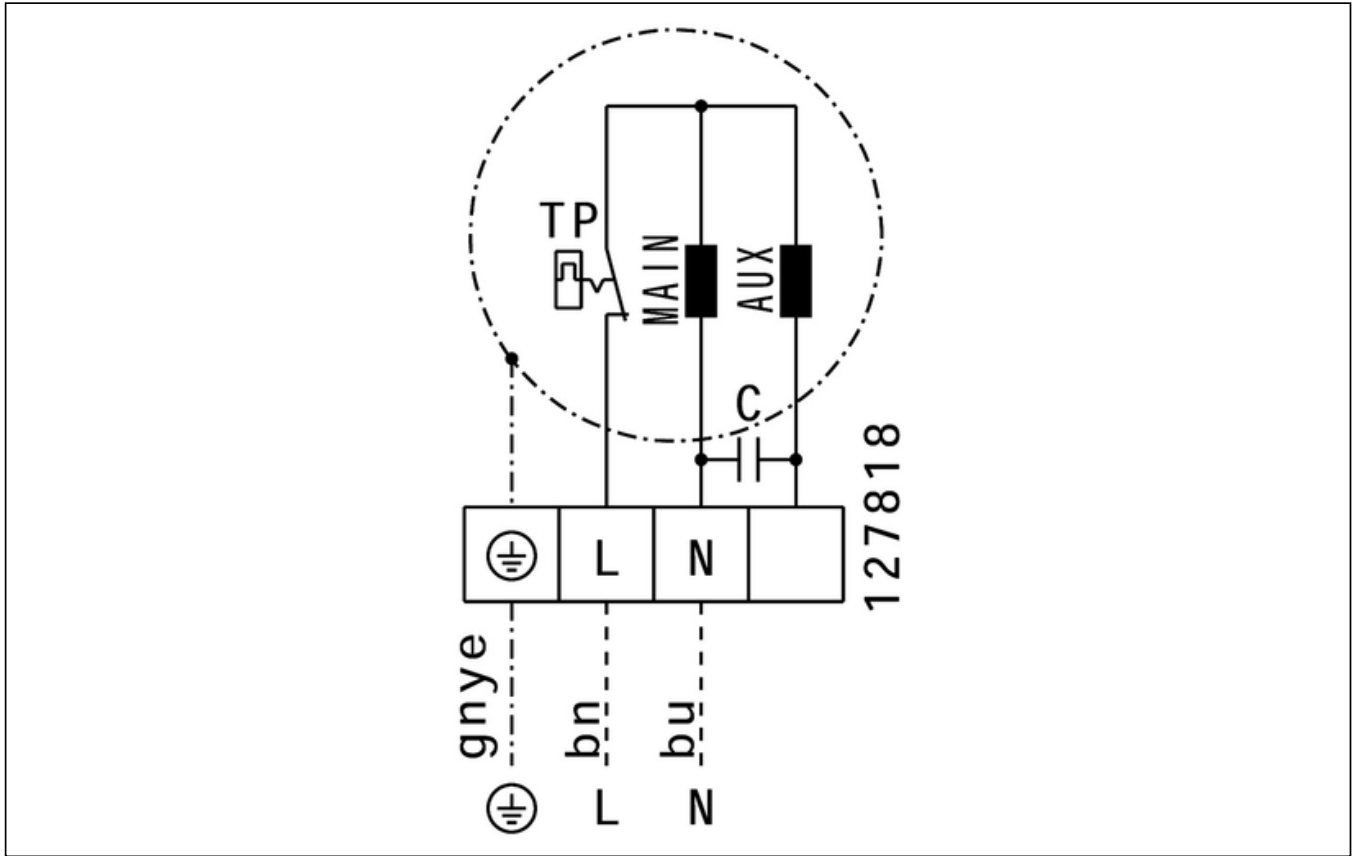
127744

CIRCUIT DIAGRAMS / DIMENSIONAL DRAWINGS

	Protection Mark according to ISO 9006	General tolerances DIN ISO 2768-c	ELKI5025E210+
ruck Ventilatoren Max-Planck-Str. 5 D-97944 Boxberg	Created a.mozel Drawn a.mozel Released Disabled	1:8 A4 mm 01.04.2013 01.04.2013	127744 01

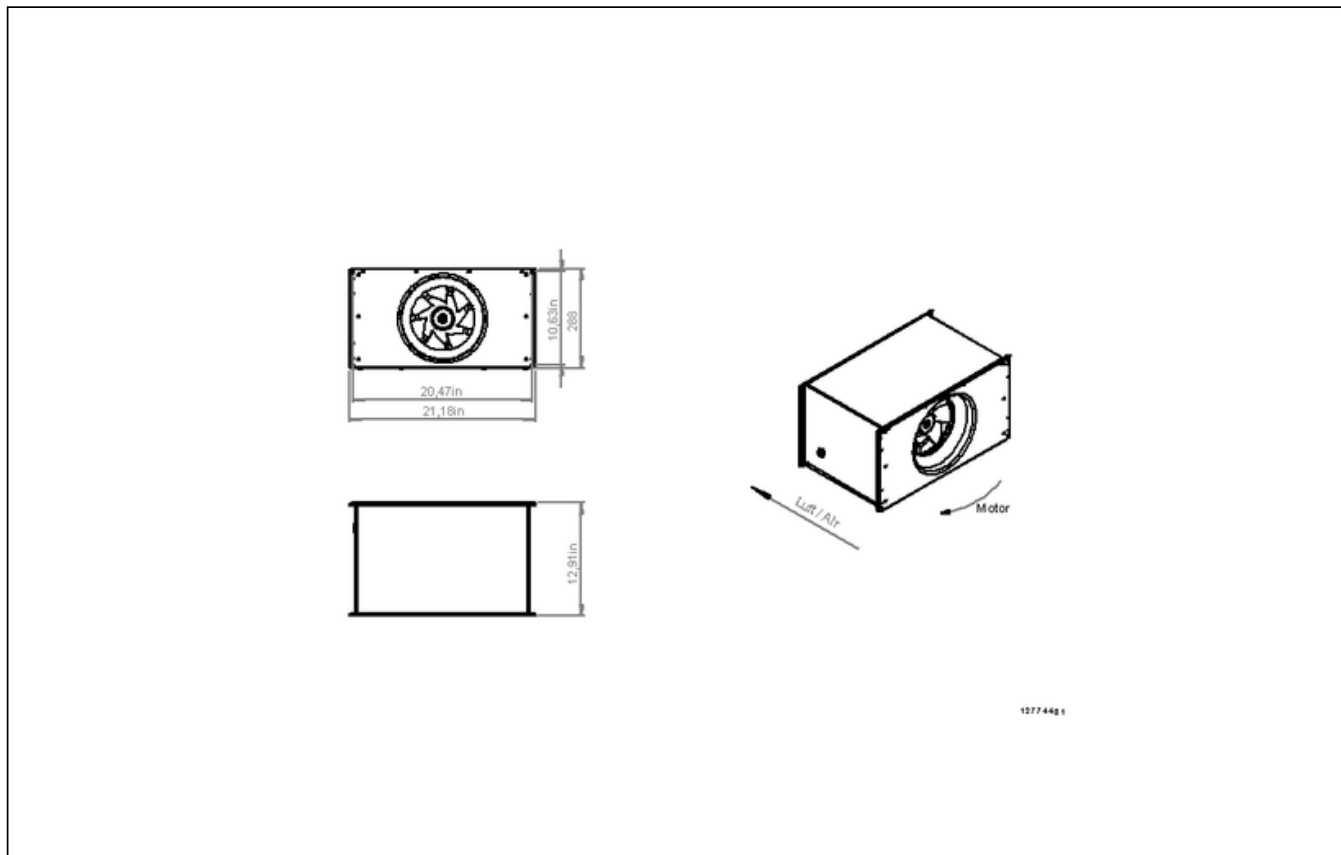
ELKI 5025 E2 10

127744



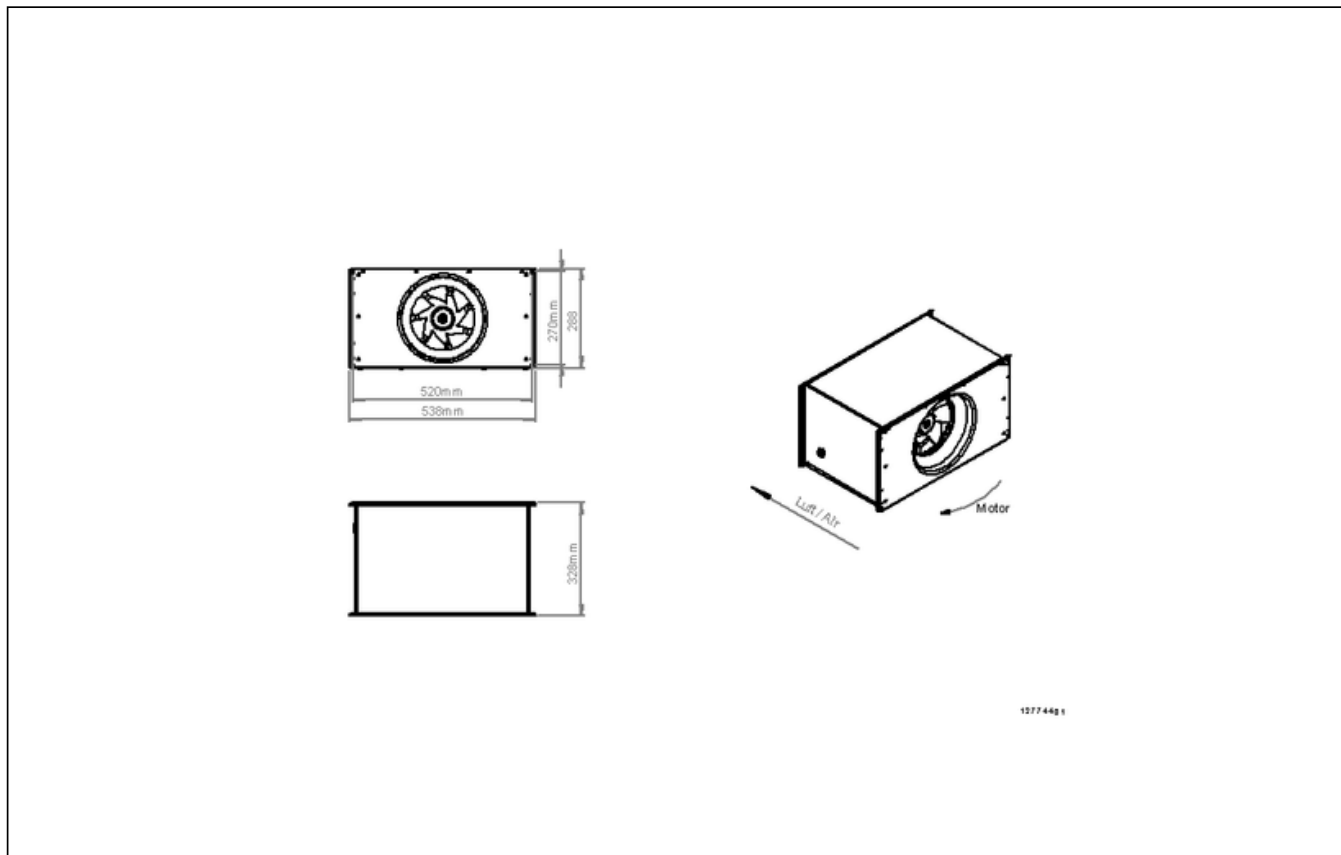
ELKI 5025 E2 10

127744



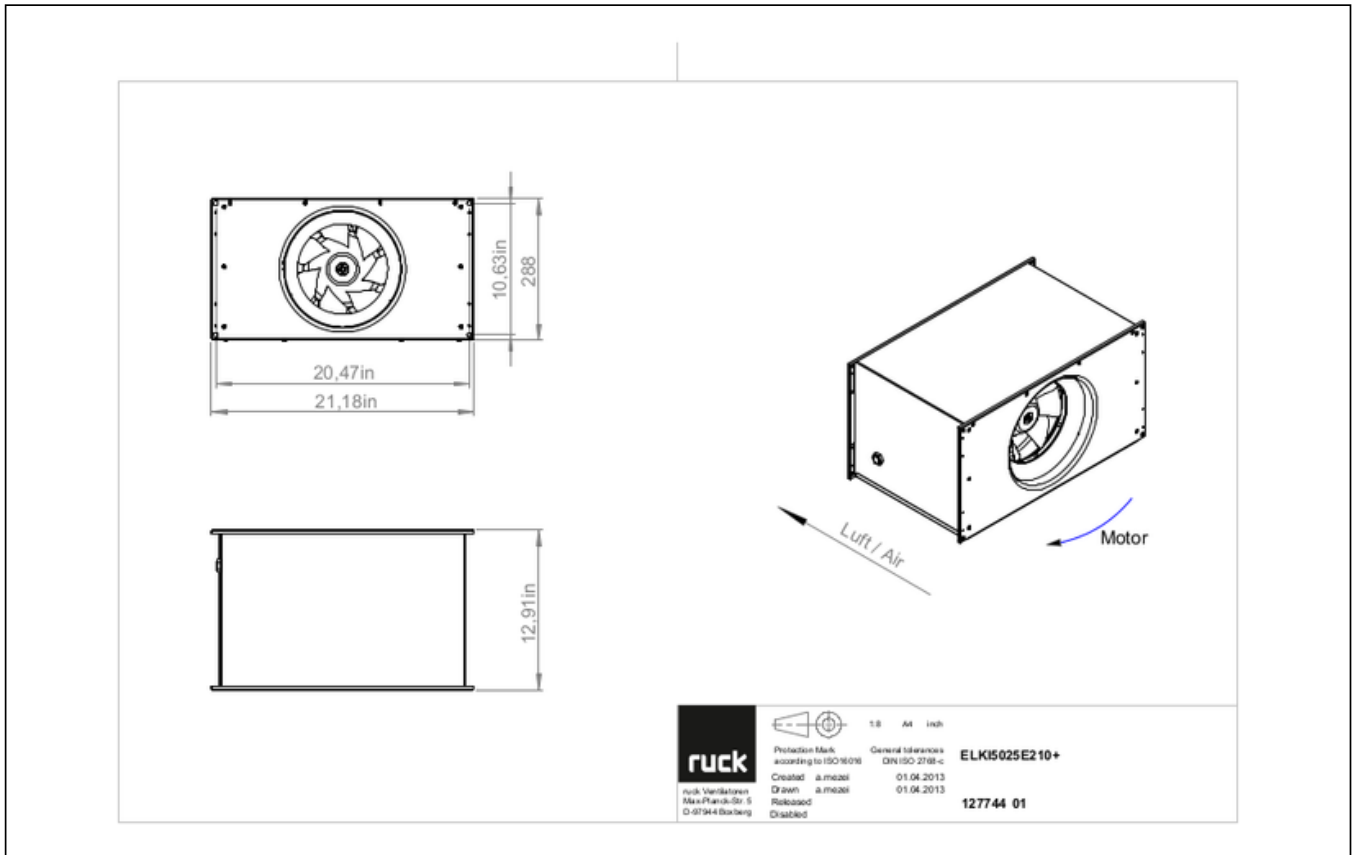
ELKI 5025 E2 10

127744



ELKI 5025 E2 10

127744



MECHANICAL ACCESSORIES

VS 5025 | 102804



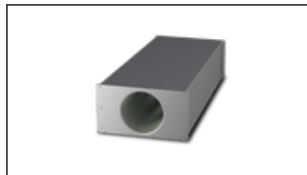
- Duct connector, flexible
- Standard profile flange P20
- Galvanized steel sheet, plastic band (PVC)
- Temperature resistant up to 70 °C

VKK 5025 | 103894



- Automatic shutter
- Plastic, weather resistant
- Temperature resistant up to 70 °C

SDE 5025 L01 | 127747



- Duct silencer
- Sendzimir galvanized sheet steel housing
- Sound absorption by mineral wool with fleece covering on air side
- 20 mm flange profiles



ELKI 5025 E2 10

127744

ELECTRICAL ACCESSORIES

GS 01 | 102787



- Isolator switch
- $U_{max} = 400 \text{ V}$, 50/60 Hz
- Switching capacity 400 V 3~ = 5,5 kW
- $I_{max} = 16 \text{ A}$

TES 0145 | 111858



- Step transformer
- 230 V ~, 50/60 Hz

TEE 015 | 115893



- 5-step transformer
- 230 V ~, 50/60 Hz



to the product detail page