

EL 500 D4 O 01

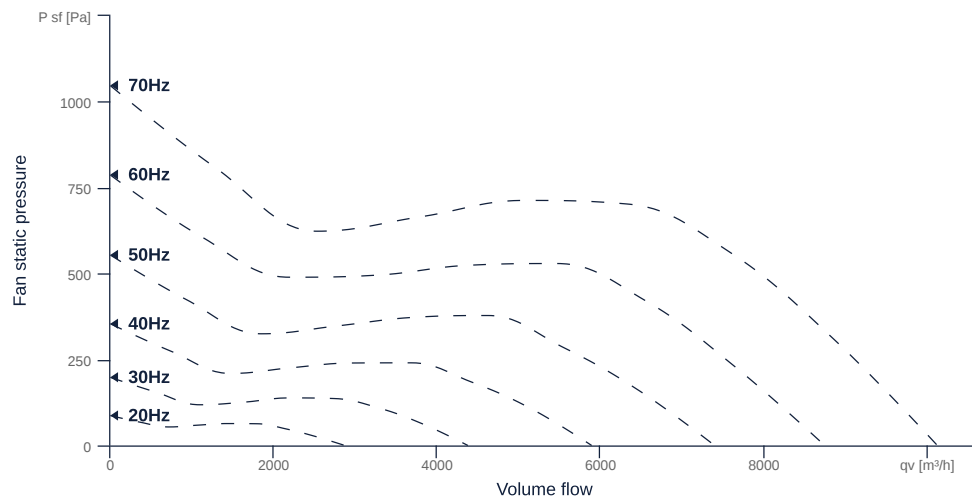
160105

- Innovative, high-efficiency diagonal fan
- The benchmark for efficiency since 2007
- Optimally tuned, CFD-optimized aerodynamics
- Efficient IE3 motor, frequency controllable
- Conveyed medium temperature up to 60 °C in continuous operation
- Housing made of aluminium AlMg3
- Attention! See note in the operating manual at FU-operation



MAP

Name	Value	Unit
Volume flow	0	m³/h
Pressure	0	Pa



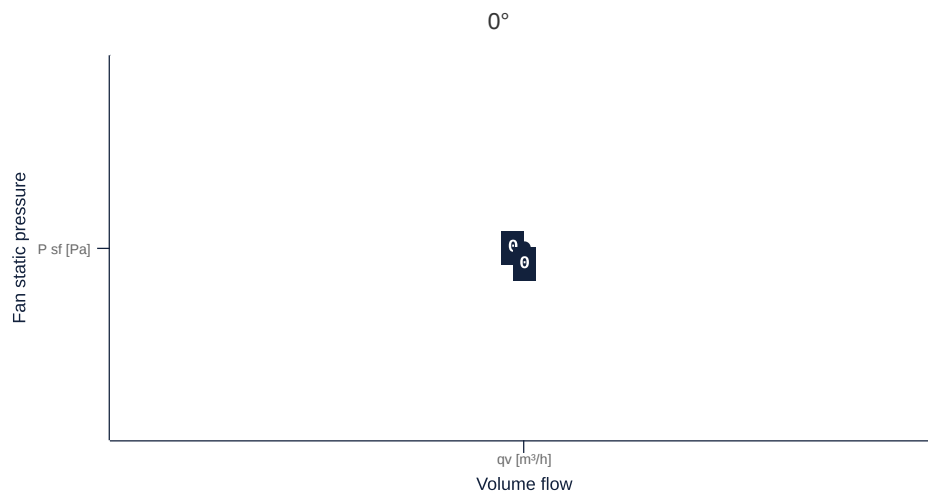
zur Produktseite

EL 500 D4 O 01

160105

MAP

Name	Value	Unit
Volume flow	0	m ³ /h
Pressure	0	Pa



zur Produktseite

GENERAL DATA

Name	Value	Unit	Formula symbol
ERP conformity	Yes		
Certifications	CE, UKCA		
Duct size	-		WxH _{duct}
Pipe connection size (DN)	DN500		DN
Rated voltage (entire device)	400	V	U _{rated}
Phases (entire device)	3~		phase
Electrical protection (entire device)	6 A		fuse
Housing material	Aluminium		mat _{casing}
Impeller material	Aluminium		mat _{impeller}
Weight	36.3	kg	m
Fan type	Diagonal		Fan _{type}
Category / Installation situation	B		cat

MAXIMAL DATA

Name	Value	Unit	Formula symbol
Max. power consumption (device)	1921	W	P _{ed, max}
Max. operating current (device)	3.56	A	I _{ed, max}
Max. speed	2060	1/min	n _{max}
Max. stat. efficiency	58.1	%	η _{es}
Max. fan efficiency	62.2	%	η _e
Max. flowrate	10120	m ³ /h	q _{v, max}
Max. stat pressure	1050	Pa	p _{st, max}
Max. medium temperature	60	°C	T _{m, max}
Max. environment temperature	60	°C	T _{amb, max}
Min. environment temperature	-30	°C	T _{amb, min}



zur Produktseite

MOTOR DATA

Name	Value		Unit	Formula symbol
	50 Hz	60 Hz		
Rated frequency (device)		50		f
Motor type		AC 3~		phase
Control type		frequency-controlled		ctrltype
Installation type		IRM (In)		install
Rotation direction		right		rotation
Isolation class		ISO F		ISOclass
Is pole-changeable		No		polexch
Type of power supply		AC 3~		pwrSUPmotor
Number of poles (1)		4.000000		num polesw1
Connection	Δ	Y		wiringw1
Connection (wiring 2)	Y			wiringw2
Rated voltage	230	460	V	U _{rated, f1}
Rated voltage (wiring 2)	400		V	U _{rated, f2}
Rated current	8.03	4.01	A	I _{rated, f1}
Rated current (wiring 2)	4.62		A	I _{rated, f2}
Shaft power	2200	2200	W	P _{out, f1}
Shaft power (wiring 2)	2200		W	P _{out, f2}
Speed	1435	1745	1/min	n _{f1}
Speed (wiring 2)	1435		1/min	n _{f2}
Starting current	64.3	381	A	I _{start, f1}
Starting current (wiring 2)	37		A	I _{start, f2}
Efficiency	87	89.5	%	η _{m, f1}
Efficiency (wiring 2)	87		%	η _{m, f2}
Efficiency class	IE3	IE3		IE _{motor}
Min. temperature	-20	-20	°C	T _{motor, min}
Cos Phi	0.790000	0.770000		cos φ
UL-Certification motor		UL recognized		ULcert

ERP DATA (LOT11)

Name	Value	Unit	Formula symbol
Speed at the energy efficiency optimum	2038	1/min	n _{opt}
Efficiency level	72.3	%	N
Efficiency category	total		cat _{efficiency}
Input power of the motor at the energy efficiency optimum	1.88	kW	P _{e, opt}
Overall efficiency	79.9	%	η _{ges}
Measurement category	B		meas cat
Fan pressure at energy efficiency optimum	688	Pa	p _{f, opt}
Flowrate at energy efficiency optimum	6685	m³/h	Q _{v, opt}

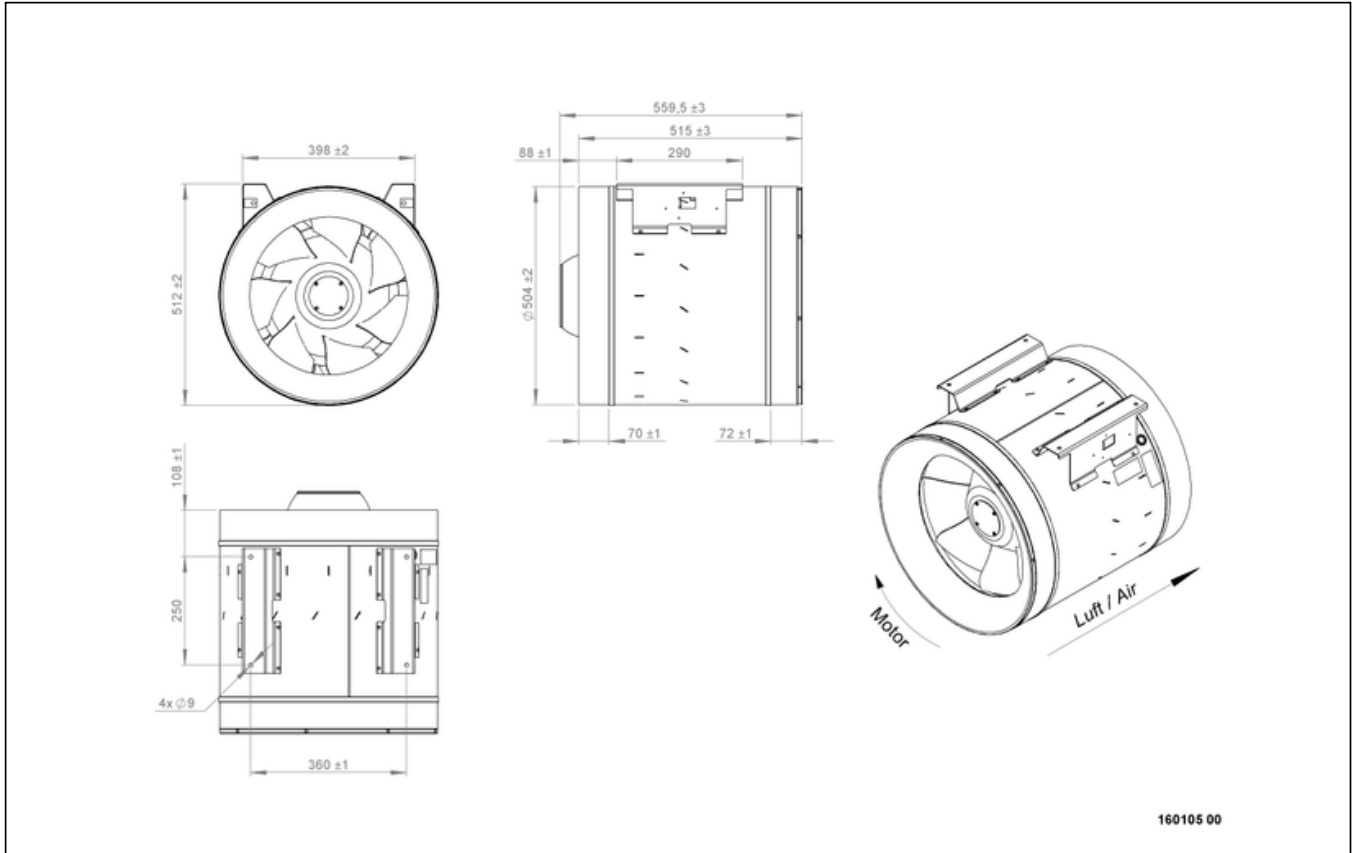


zur Produktseite

EL 500 D4 O 01

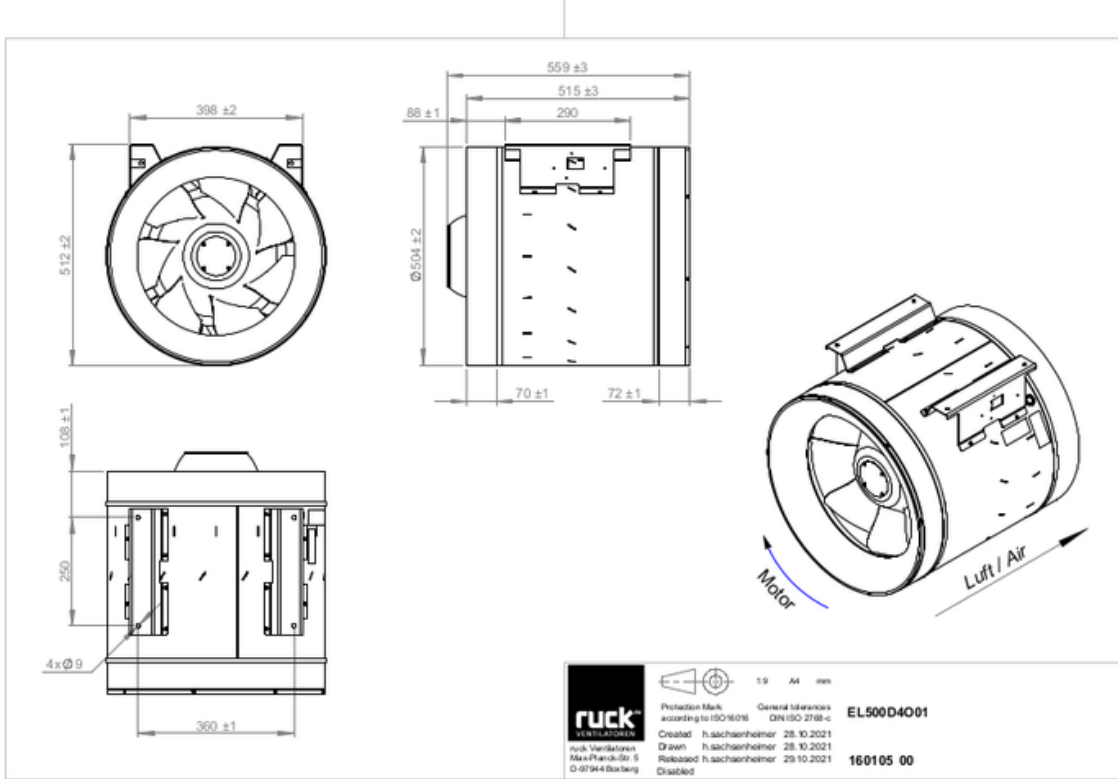
160105

SCHALTPLÄNE / MASSZEICHNUNGEN

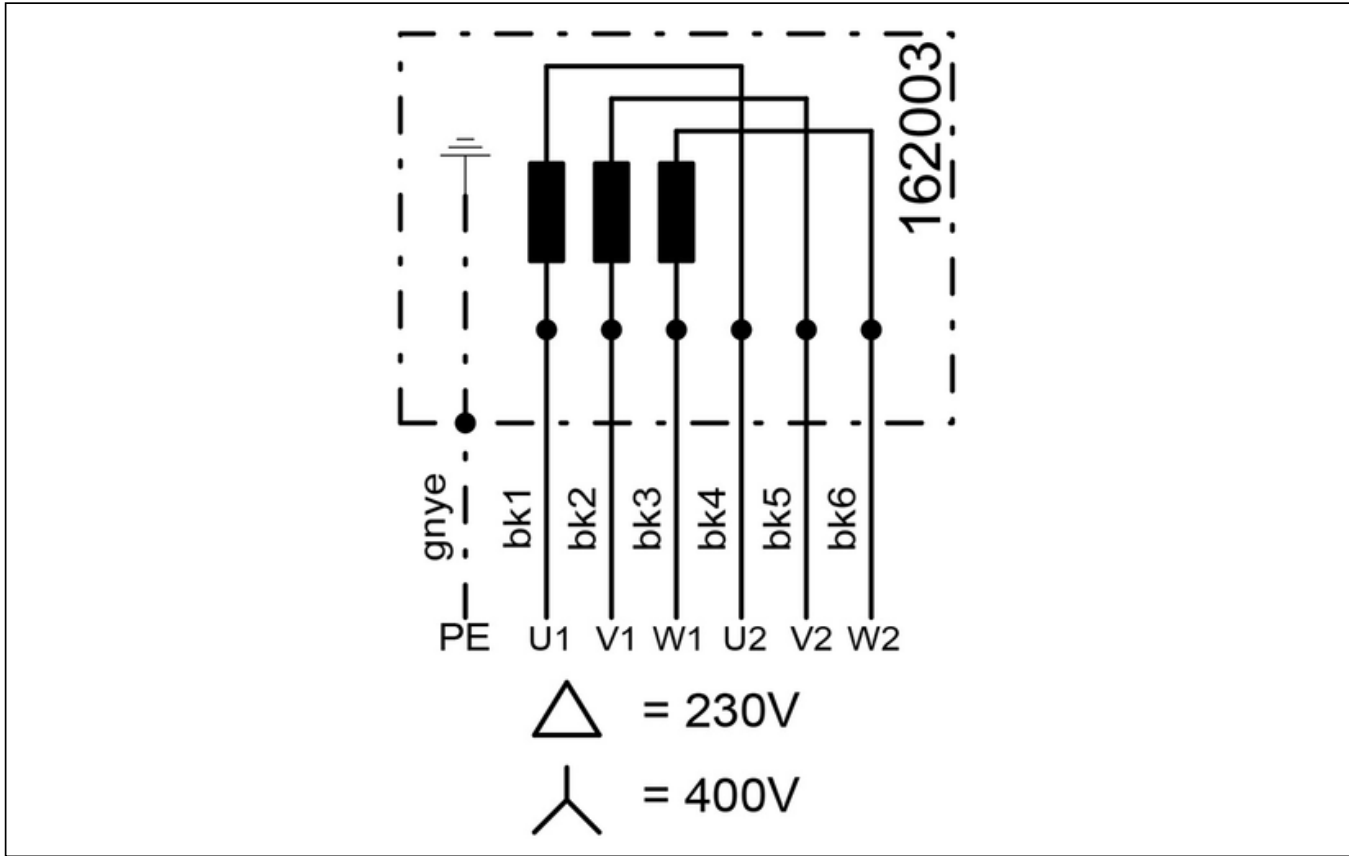


EL 500 D4 O 01

160105

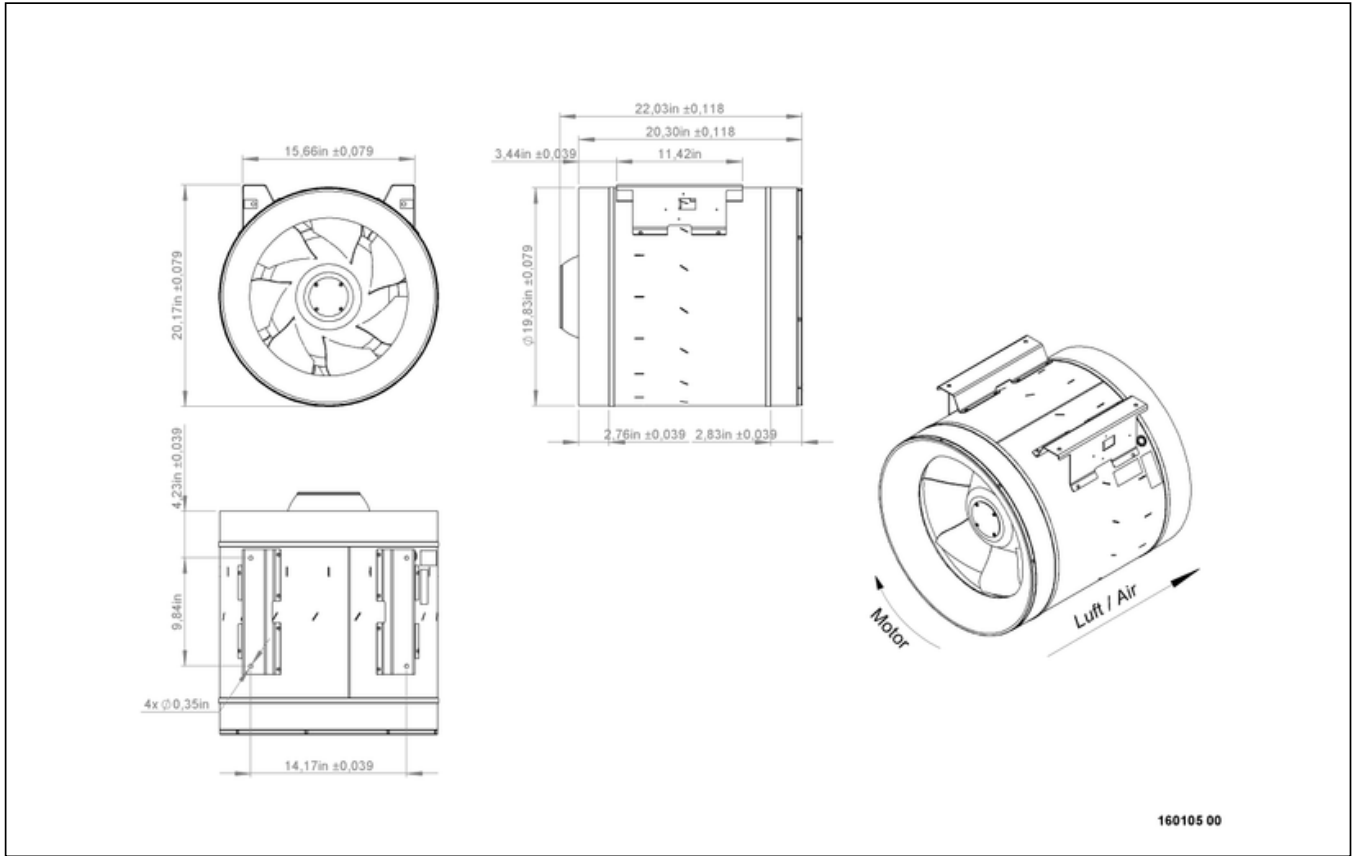


zur Produktseite



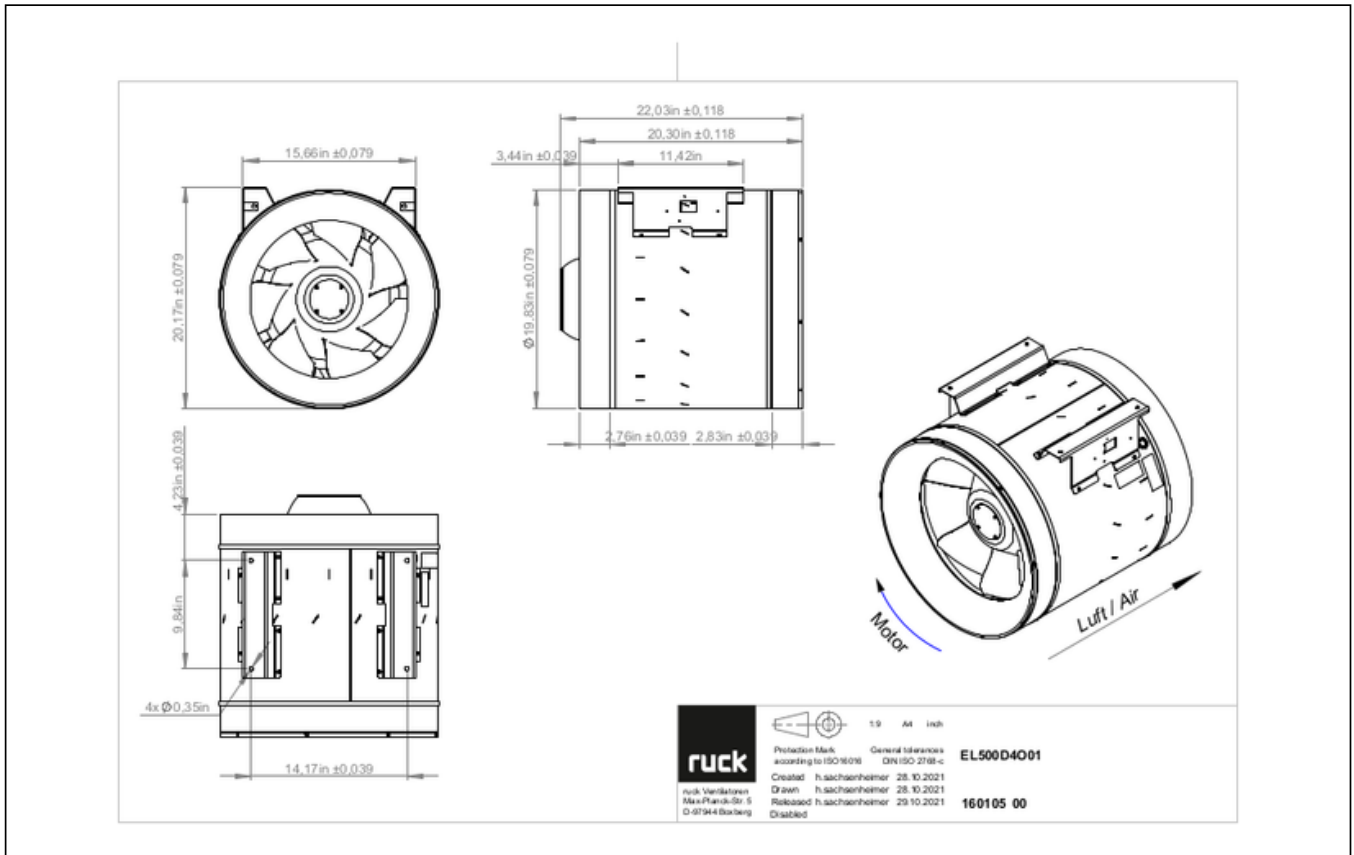
EL 500 D4 O 01

160105



EL 500 D4 O 01

160105



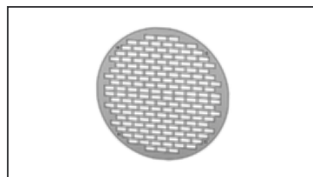
MECHANICAL ACCESSORIES

VM 500 | 118094



- Fast clamps for sound decoupling and sealing
- Galvanized steel sheet, 5 mm
- Neopren gasket
- 1 Pack = 2 pieces

SG 500 02 | 119191



- Inlet protection grille for Etaline
- Galvanized steel sheet

SDS 500 | 118834



- Rigid tube silencer
- Galvanized steel sheet
- Sound insulation packing 50 mm (mineral wool)



ELECTRICAL ACCESSORIES

GS 02 | 105386



- Isolator switch
- Umax = 400 V, 50/60 Hz
- Switching capacity 400 V 3~ = 5,5 kW
- Imax = 16 A

MS 03 | 140411



- Motor protection switch with Isolator switchfunktion
- Imax = 400 V, 50/60 Hz
- Max. 2.2 kW
- Protection class IP 55

MTP 20 | 128146



- Potentiometer 10 kΩ
- Switching contact 1A/250V AC - 2,5A/12V DC
- Max. ambient temperature 50 °C
- VDE

MTP 30 | 143289



- Stepped potentiometer 10 kΩ
- Step 1 + 2 settable 10 % - 100 % Vdc
- Step 3 100 % Vdc
- Supply voltage+10 Vdc

MTP 40 | 147359



- Potentiometer 10 kΩ
- Connection in terminal box
- Max. ambient temperature 50 °C
- PU: 20 pieces

SEN AIR | 148641



- Airflow and temperature transducer
- Measuring range temperature 0...+50 °C
- With adjustable switching threshold (air speed)
- Measuring range air velocity up to 20 m/s

CON P1000 | 115259



- Constant pressure control
- Actual value display possible via optional control unit
- Output 0-10 V DC + FC enable + setpoint reached
- Pressure setting by means of decade switch

FU 22 39 | 161875



- Frequency converter
- Supply voltage 230 V 1~ 50/60 Hz
- Output voltage 0 - 230 V 3~
- Protection class IP 20, for switch cabinet

FU 22 40 | 161876



- Frequency converter IP66
- Supply voltage 230 V 1~ 50/60 Hz
- Output voltage 0 - 230 V 3~
- Fire mode function (smoke extract fans)

FU 22 41 | 161877



- Frequency converter
- Supply voltage 400 V 3~ 50/60 Hz
- Output voltage 0 - 400 V 3~
- Protection class IP 20, for switch cabinet

FU 22 42 | 161878



- Frequency converter
- Supply voltage 400 V 3~ 50/60 Hz
- Output voltage 0 - 400 V 3~
- Fire mode function (smoke extract fans)



zur Produktseite