

EL 450 EC K 01

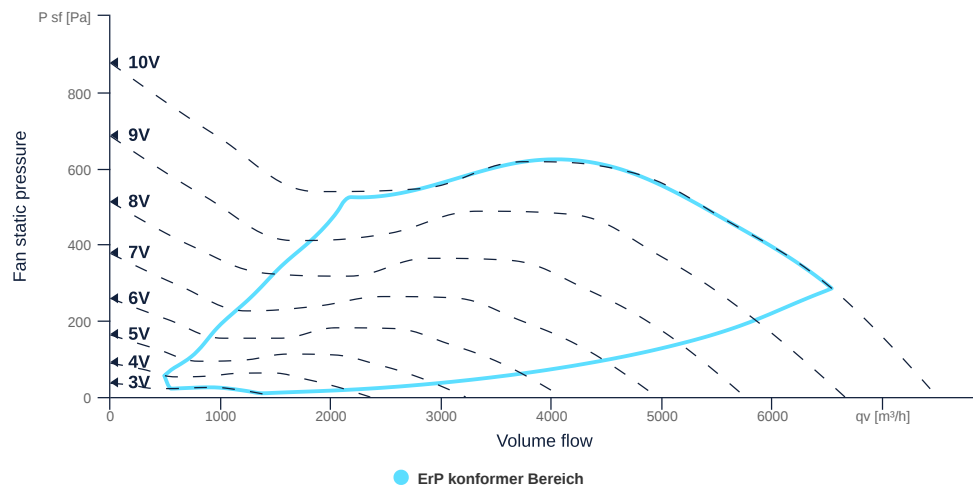
159395

- Innovative, high-efficiency diagonal fan
- Optimally tuned, CFD-optimized aerodynamics
- The benchmark for efficiency since 2007
- High efficiency EC motor, steplessly controllable
- Conveyor temperature up to 60 °C in continuous operation
- Aluminum AlMg3 housing



MAP

Name	Value	Unit
Volume flow	0	m³/h
Pressure	0	Pa



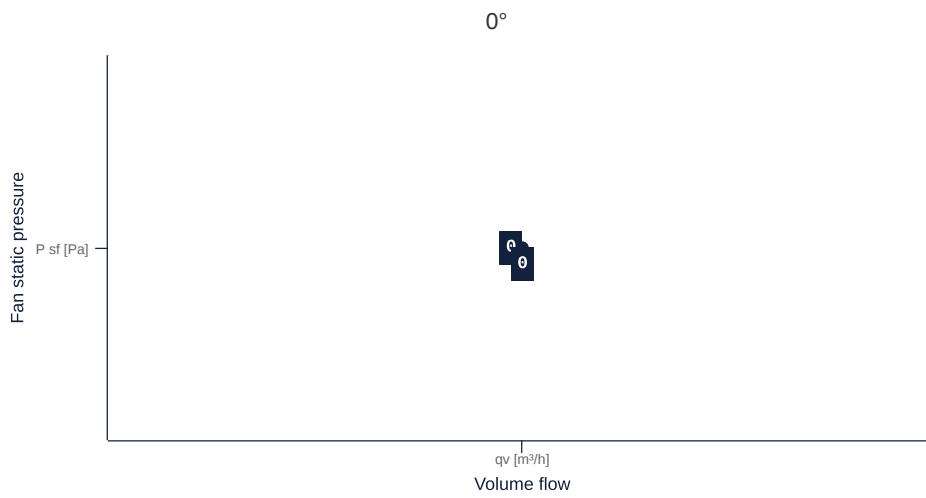
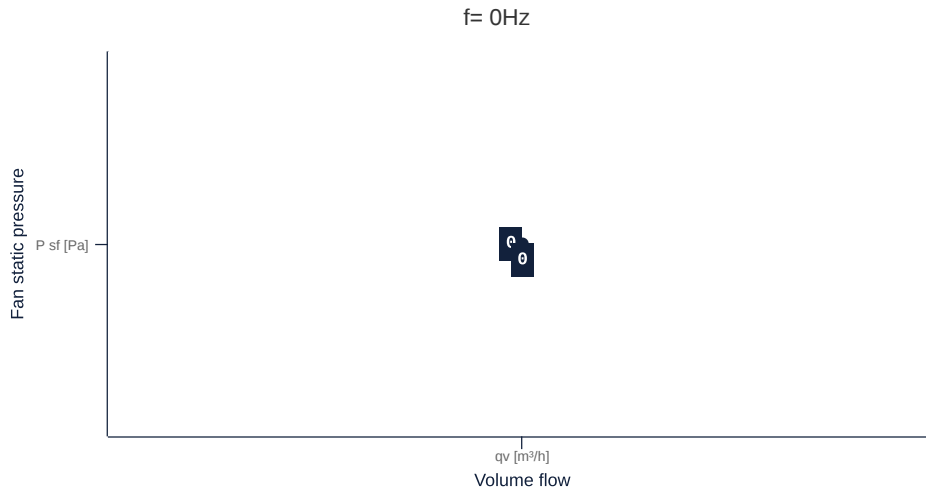
zur Produktseite

EL 450 EC K 01

159395

MAP

Name	Value	Unit
Volume flow	0	m ³ /h
Pressure	0	Pa



zur Produktseite

GENERAL DATA

Name	Value	Unit	Formula symbol
ERP conformity	Yes		
Certifications	CE, UKCA		
Duct size	-		WxHduct
Pipe connection size (DN)	DN450		DN
Rated voltage (entire device)	230	V	U _{rated}
Phases (entire device)	1~		phase
Electrical protection (entire device)	10 A		fuse
Housing material	Aluminium		matcasing
Impeller material	Aluminium		matimpeller
Weight	18.2	kg	m
Fan type	Diagonal		Fan _{type}
Category / Installation situation	B		cat

MAXIMAL DATA

Name	Value		Unit	Formula symbol
	50 Hz	60 Hz		
Max. power consumption (device)	1144	1144	W	P _{ed, max}
Max. operating current (device)	8.2	1144	A	I _{ed, max}
Max. speed	2100	2100	1/min	n _{max}
Max. stat. efficiency	64.5	64.5	%	η _{es}
Max. fan efficiency	69.2	69.2	%	η _e
Max. flowrate	7490	7490	m ³ /h	q _{v, max}
Max. stat pressure	880	880	Pa	p _{st, max}
Max. medium temperature	60	60	°C	T _{m, max}
Max. environment temperature	60	60	°C	T _{amb, max}
Min. environment temperature	-20	-20	°C	T _{amb, min}



MOTOR DATA

Name	Value		Unit	Formula symbol
	50 Hz	60 Hz		
Rated frequency (device)		50		f
Motor type		EC		phase
Control type		stepless-controlled		ctrltype
Installation type		IRM (In)		install
Isolation class		ISO F		ISOclass
Motor-protection		TEC		protectmotor
Protection class		IP55		IPmotor
Is pole-changeable		No		polexch
Type of power supply		AC 1~		pwrSUPmotor
Rated voltage	220		V	U _{rated, f1}
Rated voltage (wiring 2)	277		V	U _{rated, f2}
Rated current	8.7		A	I _{rated, f1}
Rated current (wiring 2)	6.9		A	I _{rated, f2}
Shaft power	1100		W	P _{out, f1}
Shaft power (wiring 2)	1100		W	P _{out, f2}
Speed	3000		1/min	n _{f1}
Speed (wiring 2)	3000		1/min	n _{f2}
Efficiency	87.8		%	η _{m, f1}
Efficiency (wiring 2)	87.8		%	η _{m, f2}
Min. temperature	-20		°C	T _{motor, min}
UL-Certification motor		None		ULcert

ERP DATA (LOT11)

Name	Value	Unit	Formula symbol
Speed at the energy efficiency optimum	2061	1/min	n _{opt}
Efficiency level	74.6	%	N
Efficiency category	total		cat _{efficiency}
Input power of the motor at the energy efficiency optimum	1.11	kW	P _{e, opt}
Overall efficiency	84.7	%	η _{ges}
Measurement category	B		meas cat
Fan pressure at energy efficiency optimum	566	Pa	p _{f, opt}
Flowrate at energy efficiency optimum	4899	m³/h	q _{v, opt}

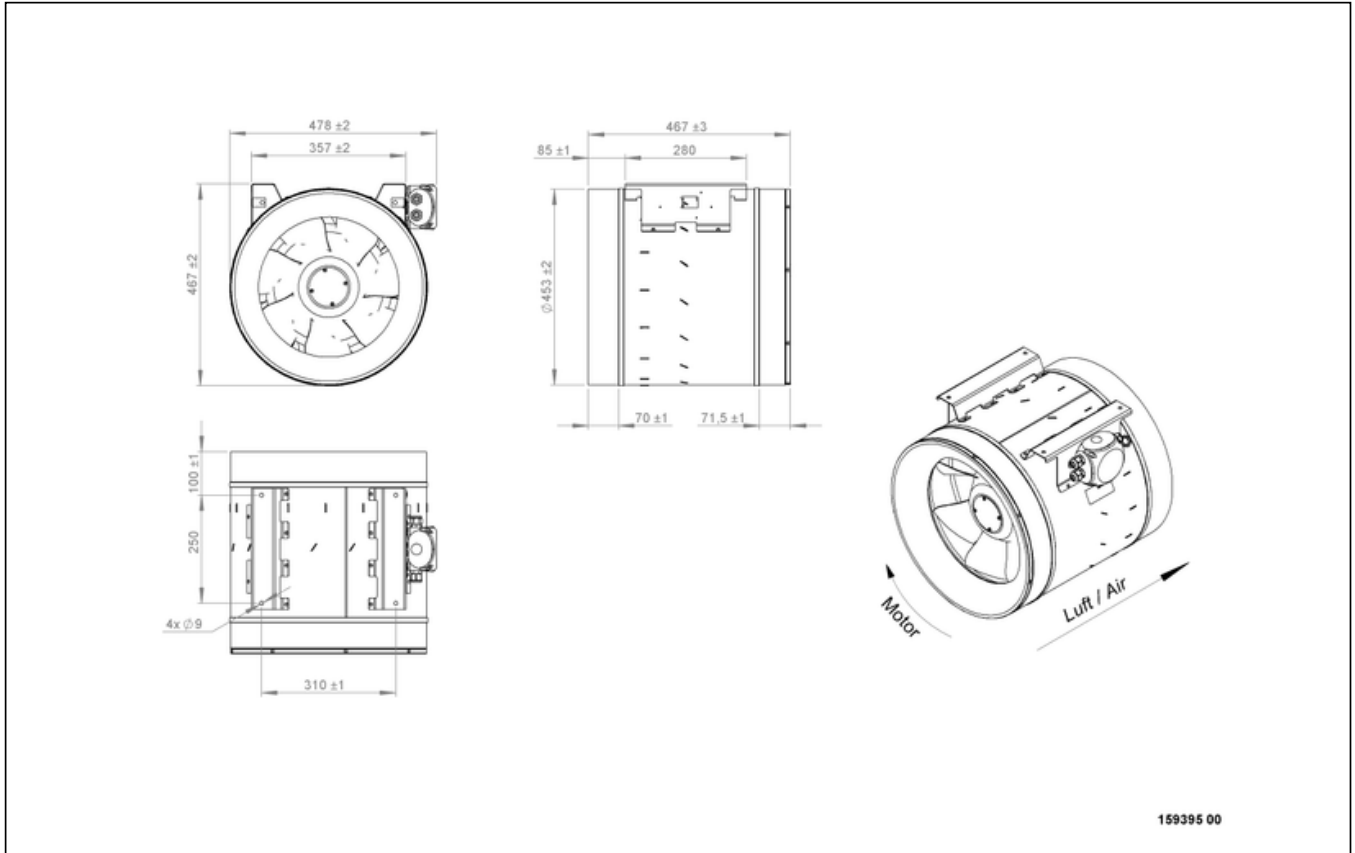


zur Produktseite

EL 450 EC K 01

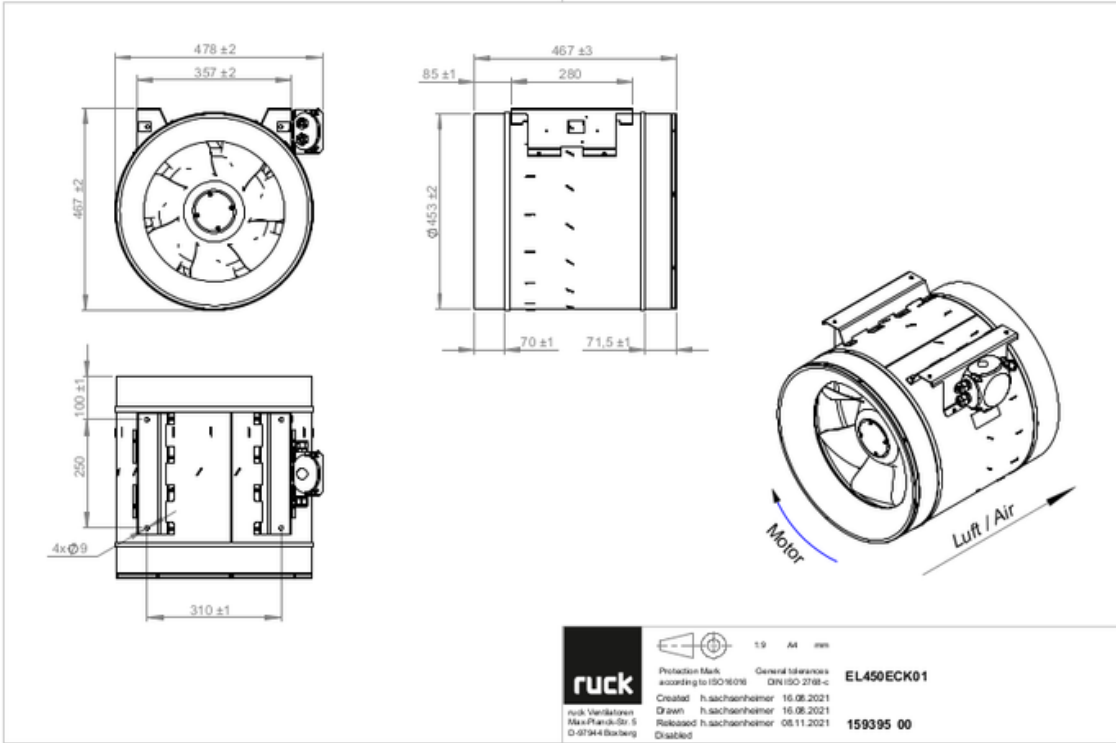
159395

SCHALTPLÄNE / MASSZEICHNUNGEN



EL 450 EC K 01

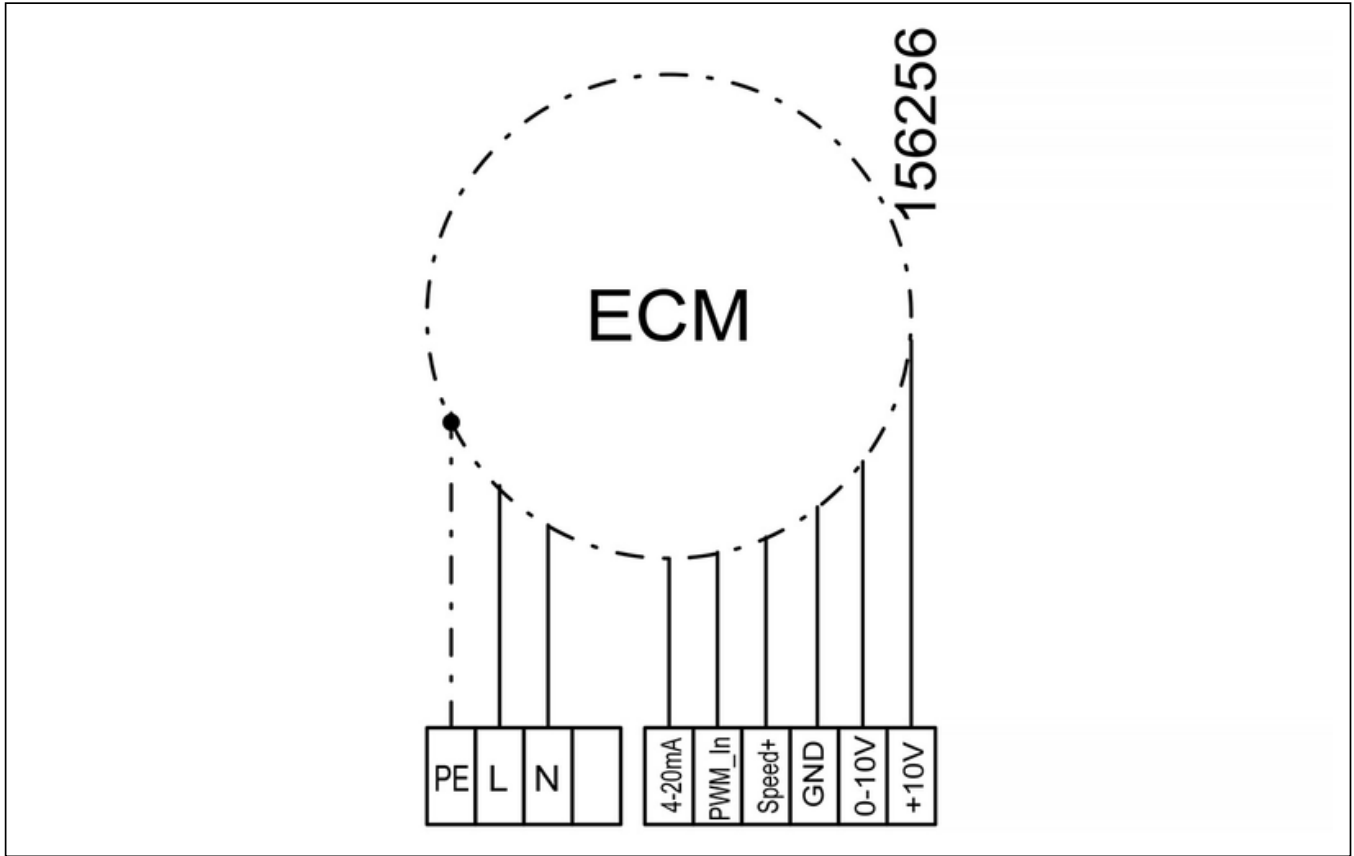
159395



zur Produktseite

EL 450 EC K 01

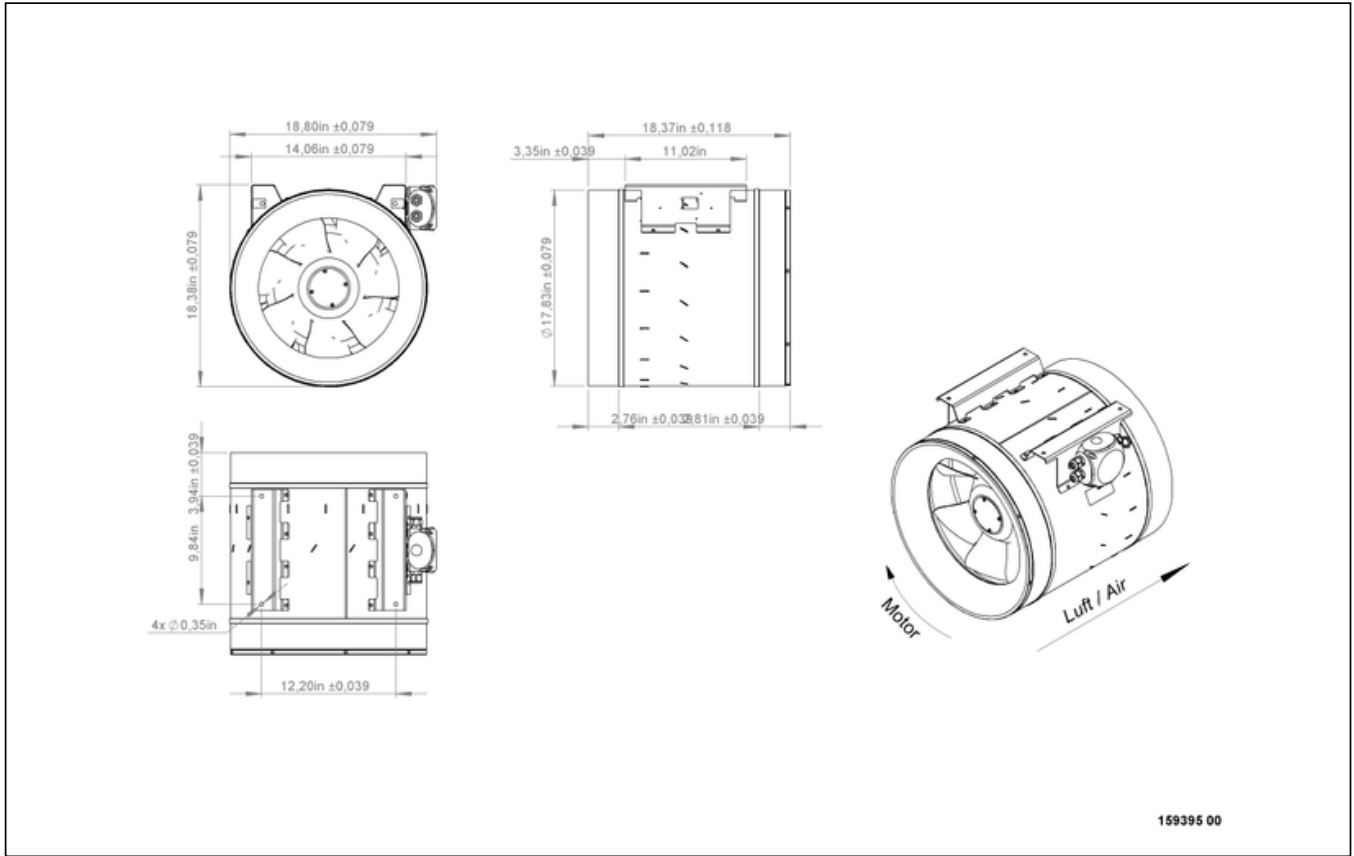
159395



zur Produktseite

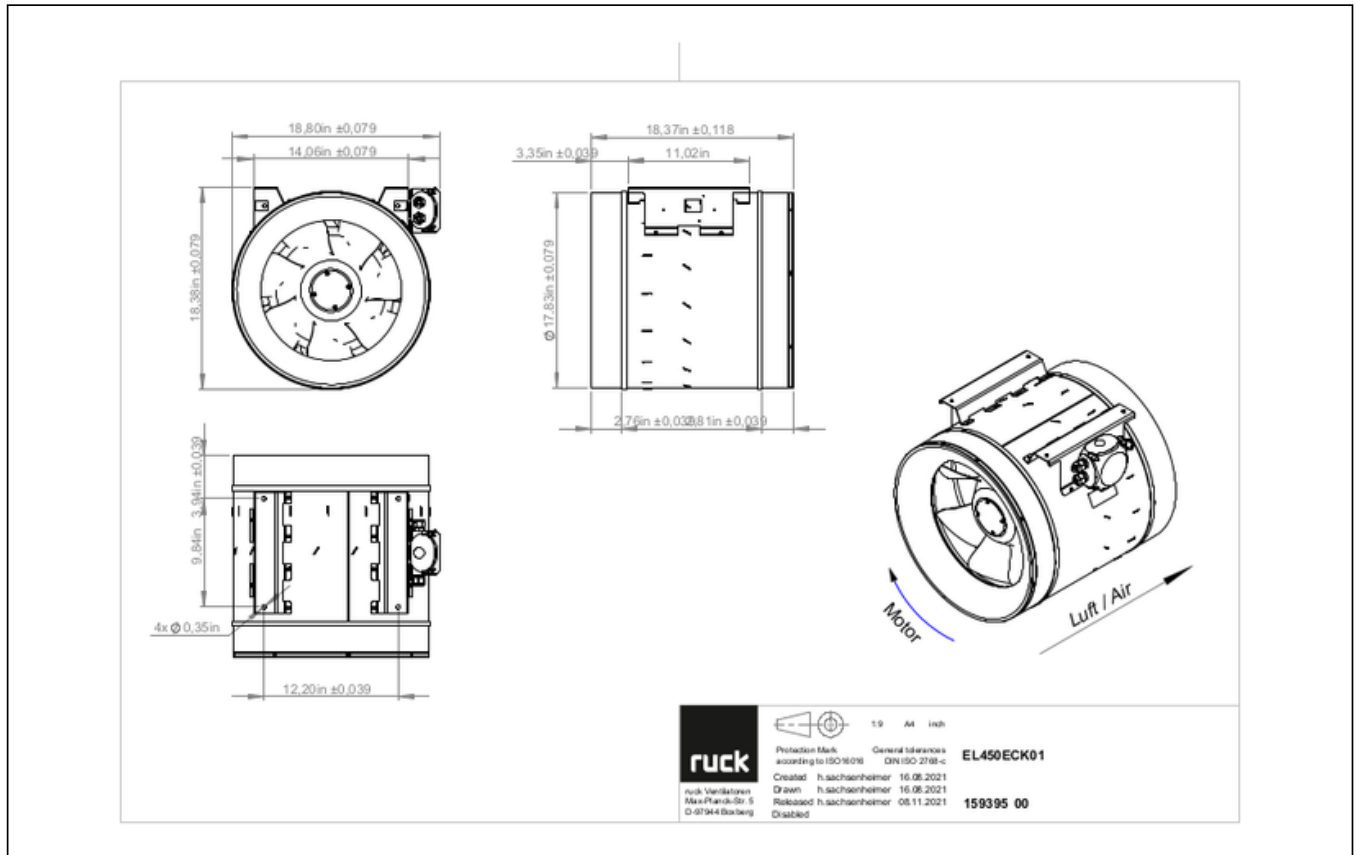
EL 450 EC K 01

159395



EL 450 EC K 01

159395



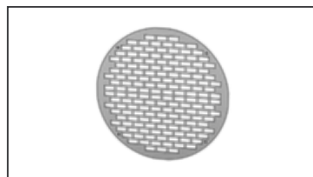
MECHANICAL ACCESSORIES

VM 450 | 119495



- Fast clamps for sound decoupling and sealing
- Galvanized steel sheet, 5 mm
- Neopren gasket
- 1 Pack = 2 pieces

SG 450 02 | 119411



- Inlet protection grille for Etaline
- Galvanized steel sheet

SDS 450 | 124179



- Rigid tube silencer
- Galvanized steel sheet
- Sound insulation packing 50 mm (mineral wool)



zur Produktseite

ELECTRICAL ACCESSORIES

GS 03 | 107633



- Device switch
- $U_{max} = 400\text{ V}$, $I_{max} = 25\text{ A}$
- Switching capacity $400\text{ V } 3\sim = 5,5\text{ kW}$
- Protection class IP 55

MTP 20 | 128146



- Potentiometer $10\text{ k}\Omega$
- Switching contact $1\text{ A}/250\text{ V AC}$ - $2,5\text{ A}/12\text{ V DC}$
- Max. ambient temperature $50\text{ }^\circ\text{C}$
- VDE

MTP 30 | 143289



- Stepped potentiometer $10\text{ k}\Omega$
- Step 1 + 2 settable $10\% - 100\% \text{ Vdc}$
- Step 3 $100\% \text{ Vdc}$
- Supply voltage $+10\text{ Vdc}$

MTP 40 | 147359



- Potentiometer $10\text{ k}\Omega$
- Connection in terminal box
- Max. ambient temperature $50\text{ }^\circ\text{C}$
- PU: 20 pieces

SEN AIR | 148641



- Airflow and temperature transducer
- Measuring range temperature $0...+50\text{ }^\circ\text{C}$
- With adjustable switching threshold (air speed)
- Measuring range air velocity up to 20 m/s

CON P1000 | 115259



- Constant pressure control
- Actual value display possible via optional control unit
- Output $0-10\text{ V DC}$ + FC enable + setpoint reached
- Pressure setting by means of decade switch

