

EL 400 D2 O 01

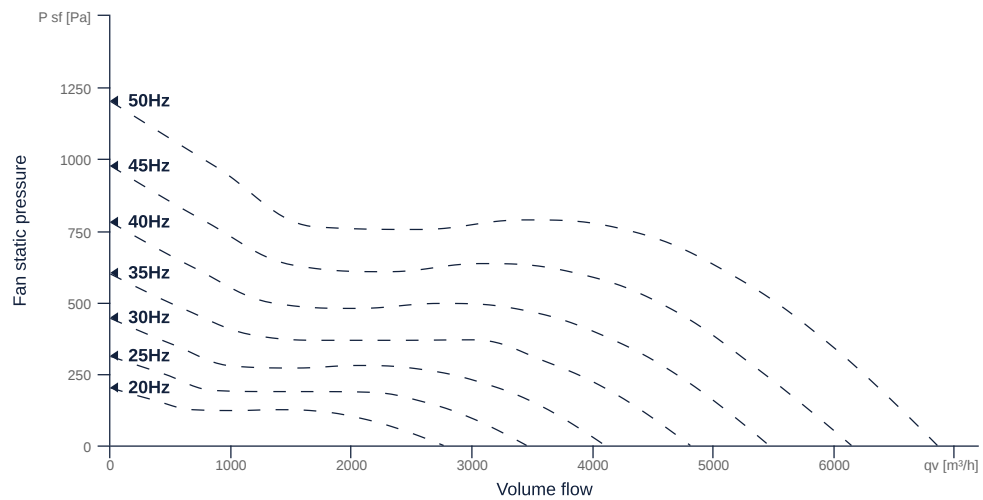
159298

- Innovative, high-efficiency diagonal fan
- The benchmark for efficiency since 2007
- Optimally tuned, CFD-optimized aerodynamics
- Efficient IE3 motor, frequency controllable
- Conveyed medium temperature up to 60 °C in continuous operation
- Housing made of aluminium AlMg3
- Attention! See note in the operating manual at FU-operation



MAP

Name	Value	Unit
Volume flow	0	m³/h
Pressure	0	Pa



zur Produktseite

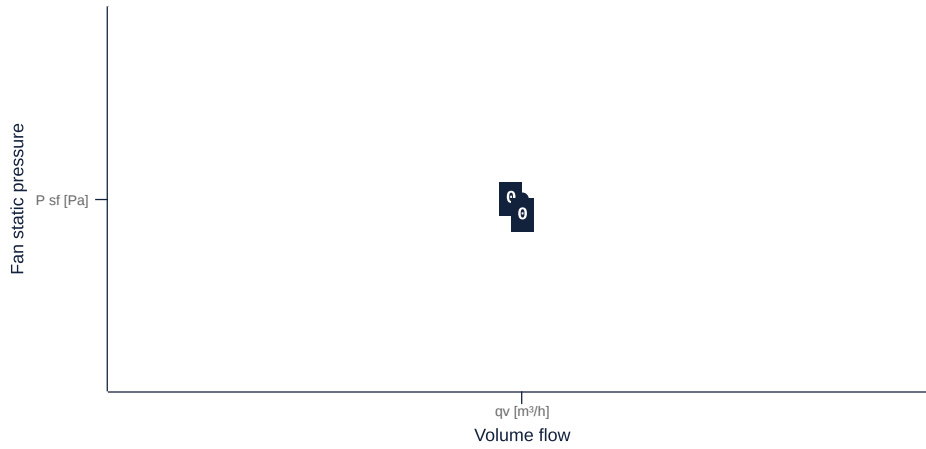
EL 400 D2 O 01

159298

MAP

Name	Value	Unit
Volume flow	0	m ³ /h
Pressure	0	Pa

f= 0Hz



0°



zur Produktseite

GENERAL DATA

Name	Value	Unit	Formula symbol
ERP conformity	Yes		
Certifications	CE, UKCA		
Duct size	-		WxH _{duct}
Pipe connection size (DN)	DN400		DN
Rated voltage (entire device)	400	V	U _{rated}
Phases (entire device)	3~		phase
Electrical protection (entire device)	6 A		fuse
Housing material	Aluminium		mat _{casing}
Impeller material	Aluminium		mat _{impeller}
IP-protection class (entire device)	IPX4		IP _{compl}
Weight	19.5	kg	m
Fan type	Diagonal		Fan _{type}
Category / Installation situation	B		cat

MAXIMAL DATA

Name	Value	Unit	Formula symbol
Max. power consumption (device)	1590	W	P _{ed, max}
Max. operating current (device)	3	A	I _{ed, max}
Max. speed	2870	1/min	n _{max}
Max. stat. efficiency	54.9	%	η _{es}
Max. fan efficiency	58.4	%	η _e
Max. flowrate	6850	m ³ /h	q _{v, max}
Max. stat pressure	1200	Pa	p _{sf, max}
Max. medium temperature	60	°C	T _{m, max}
Max. environment temperature	60	°C	T _{amb, max}
Min. environment temperature	-20	°C	T _{amb, min}



MOTOR DATA

Name	Value		Unit	Formula symbol
	50 Hz	60 Hz		
Rated frequency (device)		50		f
Motor type		AC 3~		phase
Control type		frequency-controlled		ctrltype
Installation type		IRM (In)		install
Rotation direction		right		rotation
Isolation class		ISO F		ISOclass
Protection class		IP55		IP _{motor}
Is pole-changeable		No		polexch
Type of power supply		AC 3~		pwr _{sup} _{motor}
Number of poles (1)		2.000000		num_poles _{w1}
Connection	Δ	Y		wiring _{w1}
Connection (wiring 2)	Y			wiring _{w2}
Rated voltage	230	460	V	U _{rated, f1}
Rated voltage (wiring 2)	400		V	U _{rated, f2}
Rated current	4.03	2.05	A	I _{rated, f1}
Rated current (wiring 2)	2.32		A	I _{rated, f2}
Shaft power	1100	1100	W	P _{out, f1}
Shaft power (wiring 2)	1100		W	P _{out, f2}
Speed	2830	3450	1/min	n _{f1}
Speed (wiring 2)	2830		1/min	n _{f2}
Starting current	29.9	16.4	A	I _{start, f1}
Starting current (wiring 2)	17.2		A	I _{start, f2}
Efficiency	83.5	84	%	η _{m, f1}
Efficiency (wiring 2)	83.5		%	η _{m, f2}
Efficiency class	IE3			IE _{motor}
Min. temperature	-20		°C	T _{motor, min}
Cos Phi	0.820000	0.800000		cos φ
UL-Certification motor		UL recognized		UL _{cert}



zur Produktseite

EL 400 D2 O 01

159298

ruck

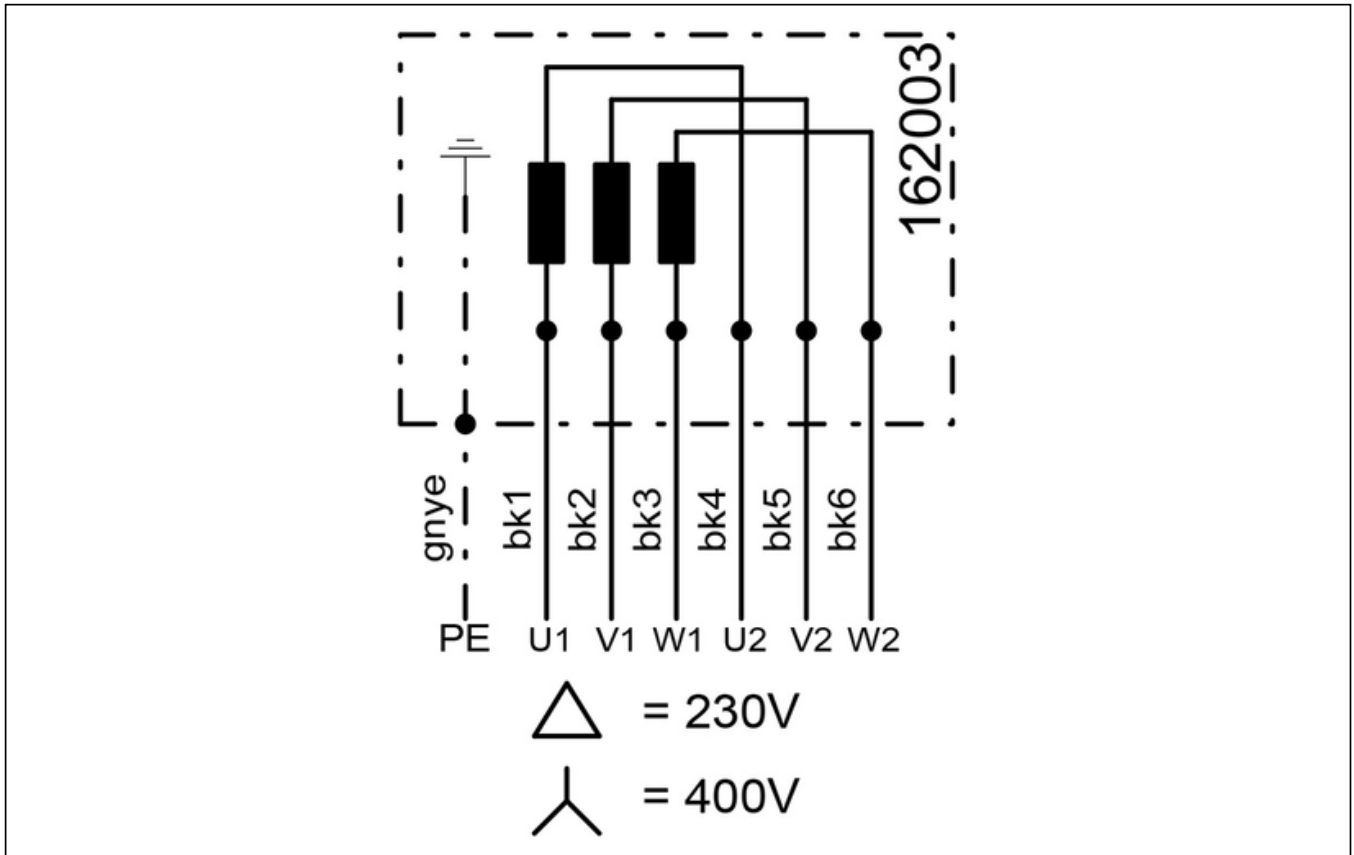
ERP DATA (LOT11)

Name	Value	Unit	Formula symbol
Speed at the energy efficiency optimum	2805	1/min	n_{opt}
Efficiency level	63.7	%	N
Efficiency category	total		cat _{efficiency}
Input power of the motor at the energy efficiency optimum	1.56	kW	$P_{e, opt}$
Overall efficiency	72.2	%	η_{ges}
Measurement category	B		meas cat
Fan pressure at energy efficiency optimum	760	Pa	$p_{f, opt}$
Flowrate at energy efficiency optimum	4395	m ³ /h	$Q_{v, opt}$



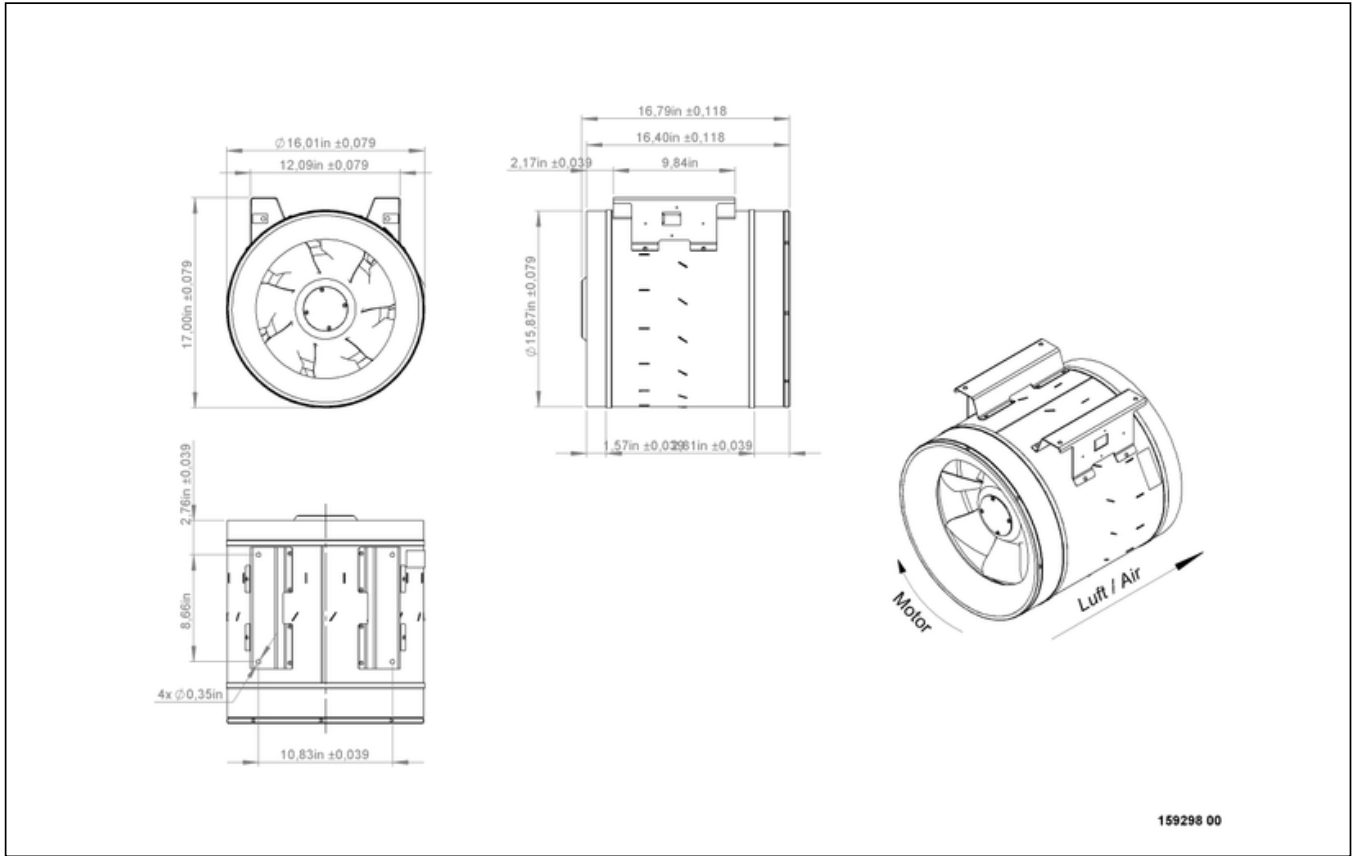
zur Produktseite

SCHALTPLÄNE / MASSZEICHNUNGEN



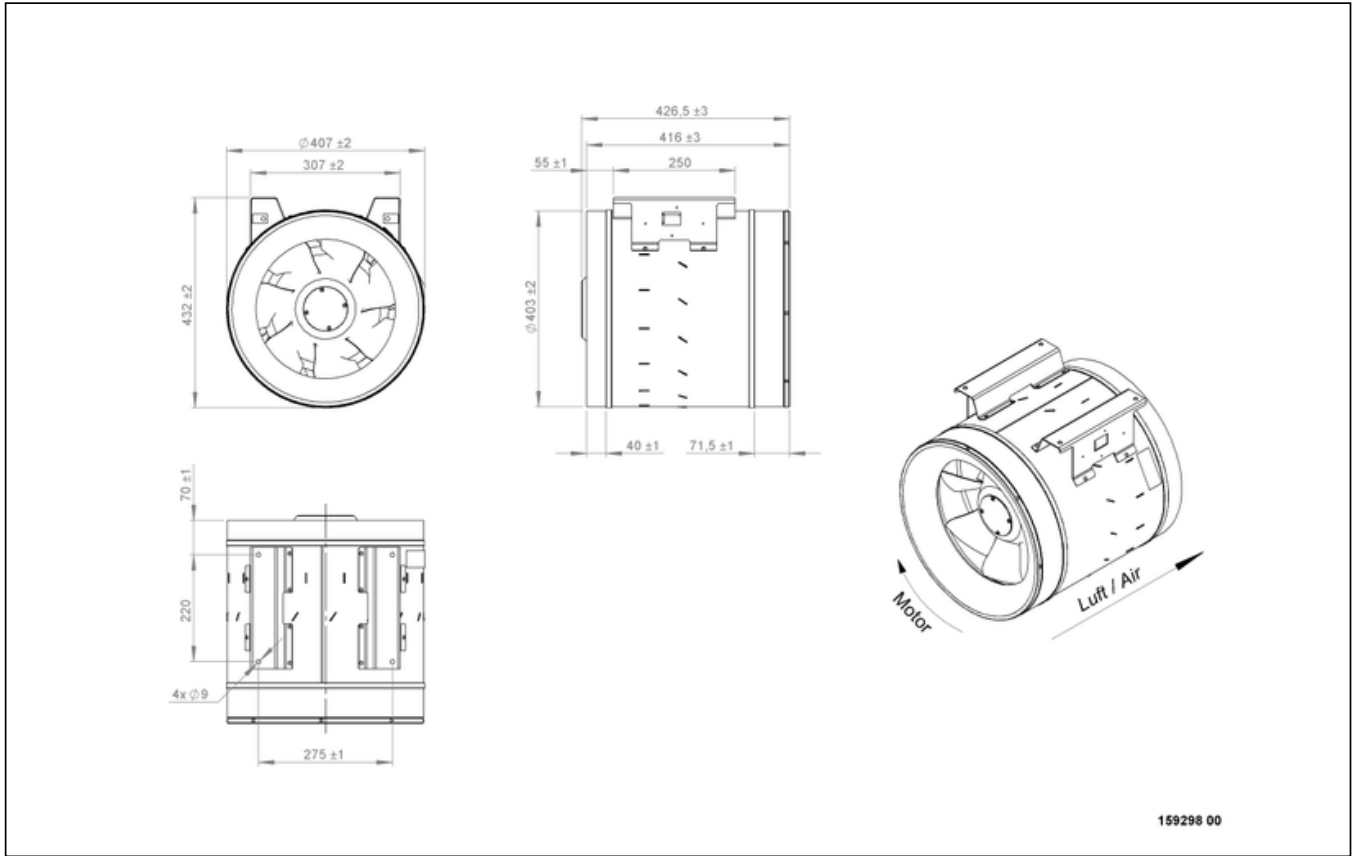
EL 400 D2 O 01

159298



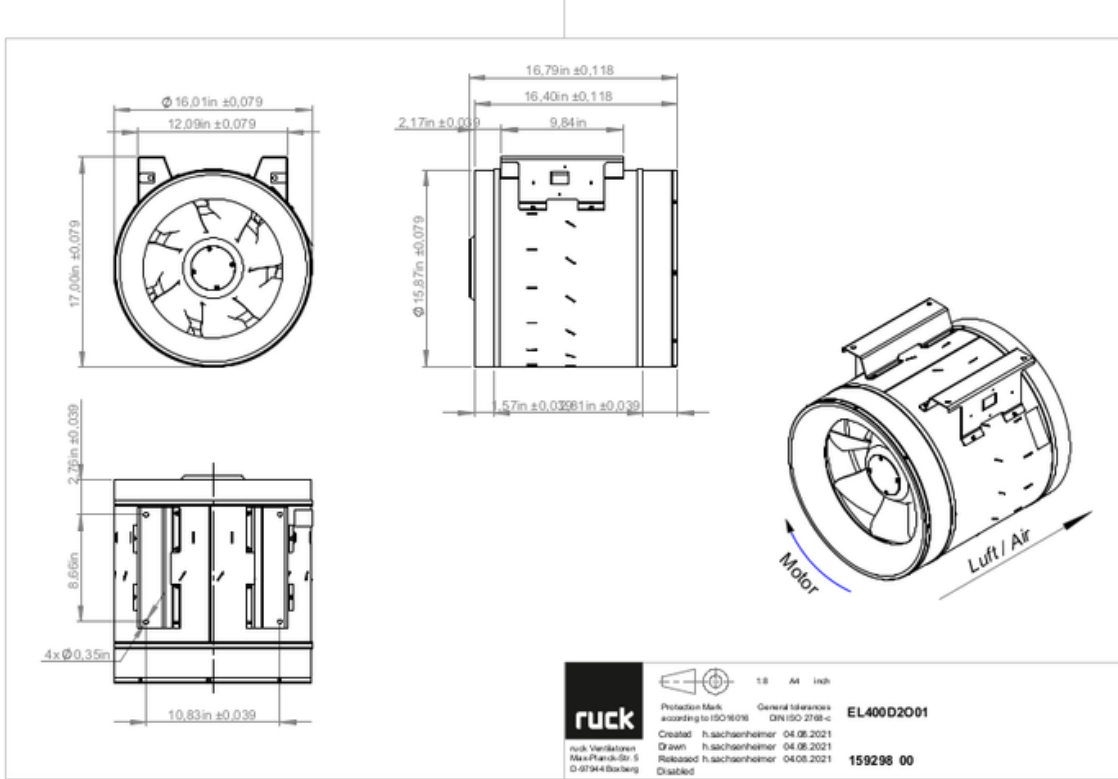
EL 400 D2 O 01

159298



EL 400 D2 O 01

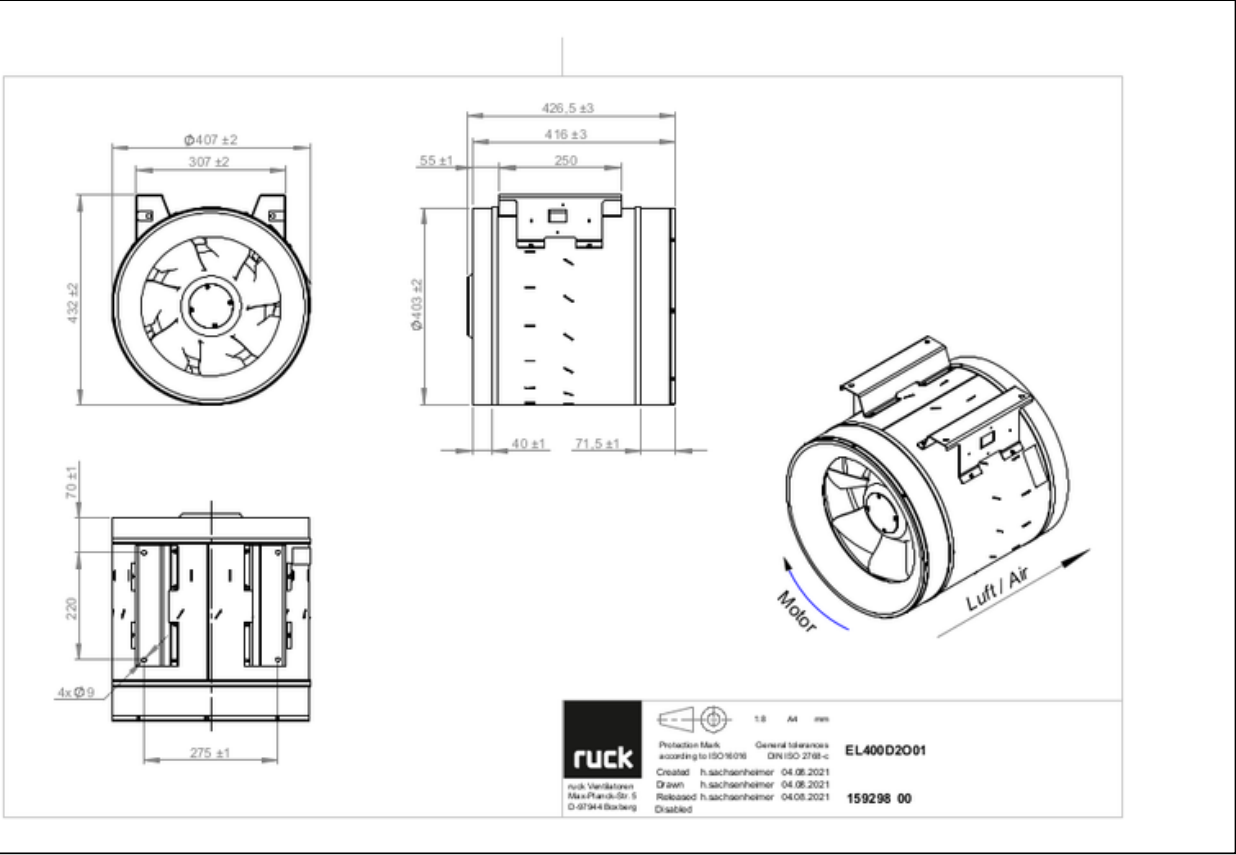
159298



zur Produktseite

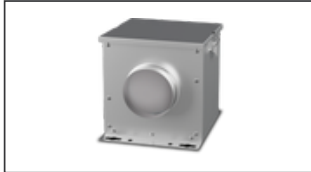
EL 400 D2 O 01

159298



MECHANICAL ACCESSORIES

FV 400 | 112836



- Air filter box with mat filter ISO Coarse 45 % (G3)
- Toggle-type fastener

FT 400 | 112848



- Air filter box for pocket filter
- Toggle-type fastener
- Galvanized steel sheet housing
- Without filter

FTW 400 | 112857



- Air filter box with pocket filter M5
- Integrated warm water heating coil
- Galvanized steel sheet housing
- Toggle-type fastener

RSK 400 | 102691



- Back draught shutter for tube fitting
- Galvanized steel sheet housing
- Aluminum flaps

RSK 400D | 113490



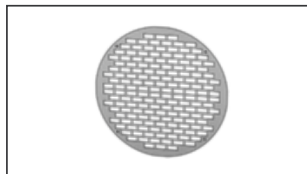
- Back draught shutter for tube fitting
- Galvanized steel sheet housing
- Aluminum flaps
- Integrated gasket

VM 400 | 102654



- Fast clamps for sound decoupling and sealing
- Galvanized steel sheet, 5 mm
- Neopren gasket
- 1 Pack = 2 pieces

SG 400 02 | 123949



- Inlet protection grille for Etaline
- Galvanized steel sheet

SDF 400 | 102708



- Flexible tube silencer
- Galvanized steel sheet
- Sound insulation packing 50 mm

SDS 400 | 102727



- Rigid tube silencer
- Galvanized steel sheet
- Sound insulation packing 50 mm (mineral wool)



ELECTRICAL ACCESSORIES

GS 02 | 105386



- Isolator switch
- Umax = 400 V, 50/60 Hz
- Switching capacity 400 V 3~ = 5,5 kW
- Imax = 16 A

MS 02 | 140409



- Motor protection switch with Isolator switchfunktion
- Imax = 400 V, 50/60 Hz
- Max. 1.5 kW
- Protection class IP 55

MTP 20 | 128146



- Potentiometer 10 kΩ
- Switching contact 1A/250V AC - 2,5A/12V DC
- Max. ambient temperature 50 °C
- VDE

MTP 30 | 143289



- Stepped potentiometer 10 kΩ
- Step 1 + 2 settable 10 % - 100 % Vdc
- Step 3 100 % Vdc
- Supply voltage+10 Vdc

MTP 40 | 147359



- Potentiometer 10 kΩ
- Connection in terminal box
- Max. ambient temperature 50 °C
- PU: 20 pieces

SEN AIR | 148641



- Airflow and temperature transducer
- Measuring range temperature 0...+50 °C
- With adjustable switching threshold (air speed)
- Measuring range air velocity up to 20 m/s

CON P1000 | 115259



- Constant pressure control
- Actual value display possible via optional control unit
- Output 0-10 V DC + FC enable + setpoint reached
- Pressure setting by means of decade switch

FU 15 40 | 160041



- Frequency converter
- Supply voltage 230 V 1~ 50/60 Hz
- Output voltage 0 - 230 V 3~
- Protection class IP 20, for switch cabinet

FU 15 41 | 160042



- Frequency converter IP66
- Supply voltage 230 V 1~ 50/60 Hz
- Output voltage 0 - 230 V 3~
- Fire mode function (smoke extract fans)

FU 15 42 | 160043



- Frequency converter
- Supply voltage 400 V 3~ 50/60 Hz
- Output voltage 0 - 400 V 3~
- Protection class IP 20, for switch cabinet

FU 15 43 | 160044



- Frequency converter
- Supply voltage 400 V 3~ 50/60 Hz
- Output voltage 0 - 400 V 3~
- Fire mode function (smoke extract fans)

