

MECHANICAL EXTRACT VENTILATION (MEV) CMX-MULTI

KEY FEATURES

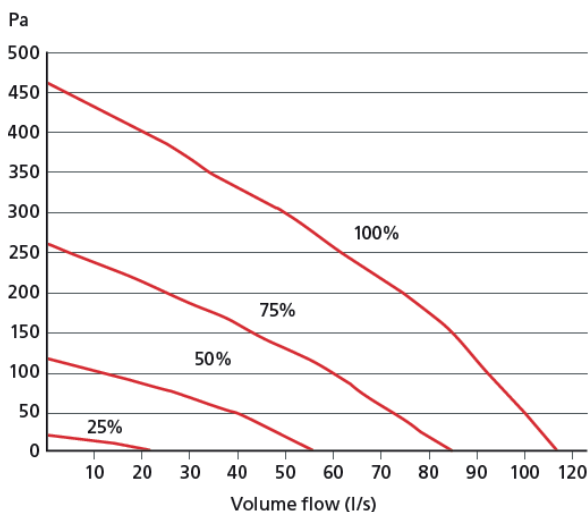
- ▶ Excellent SFP results down to 0.14 W/l/s
- ▶ CMX-MULTI-H has integral humidistat, ideal for specification works
- ▶ 3 inlet spigots for simplified multi-room extraction
- ▶ 204x60mm spigots allowing direct duct runs from the unit, saving time and money on site



| Code | Description | Unit |
|-------------|--|------|
| CMX-MULTI | CMX-MULTI Mechanical Extract Ventilation Unit | 1 |
| CMX-MULTI-H | CMX-MULTI Mechanical Extract Ventilation Unit with Integral Humidistat | 1 |

| CMX-MULTI Product Characteristics Database (SAP 2012) | | | |
|---|-----------|------------|-------------|
| | Power (W) | Flow (l/s) | SFP (W/l/s) |
| Kitchen + n wet rooms | | | |
| Kitchen + 1 wet room | 2.89 | 21 | 0.14 |
| Kitchen + 2 wet rooms | 4.5 | 29 | 0.16 |
| Kitchen + 3 wet rooms | 7.22 | 37 | 0.20 |
| Kitchen + 4 wet rooms | 11.13 | 45 | 0.24 |
| Kitchen + 5 wet rooms | 16.3 | 53 | 0.31 |
| Kitchen + 6 wet rooms | 22.42 | 61 | 0.37 |

PERFORMANCE



| Specification | 230V |
|--|----------|
| Max Extract Volume (m ³ /h) | 409 |
| Max Extract Volume (l/s) | 113.5 |
| Max Pressure (Pa) | 460 |
| Max Power (W) | 63.5 |
| Supply Frequency (Hz) | 50 |
| Max Sound dB(A)@3m | 45 |
| Socket Size (mm) | 204 x 60 |
| Insulation Class | 1 |
| Weight (kg) | 3.1 |
| Max Operating Temperature (°C) | 40 |

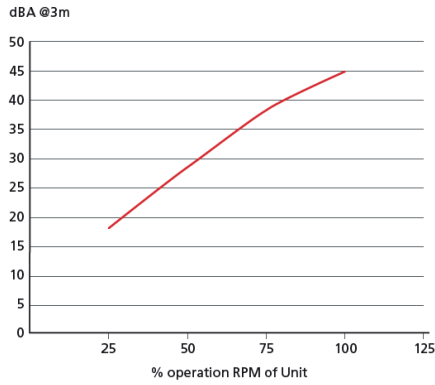
INSTALLATION

Must be installed horizontally.

- ▶ Direct to a ceiling or in a loft space
- ▶ Within a joist space

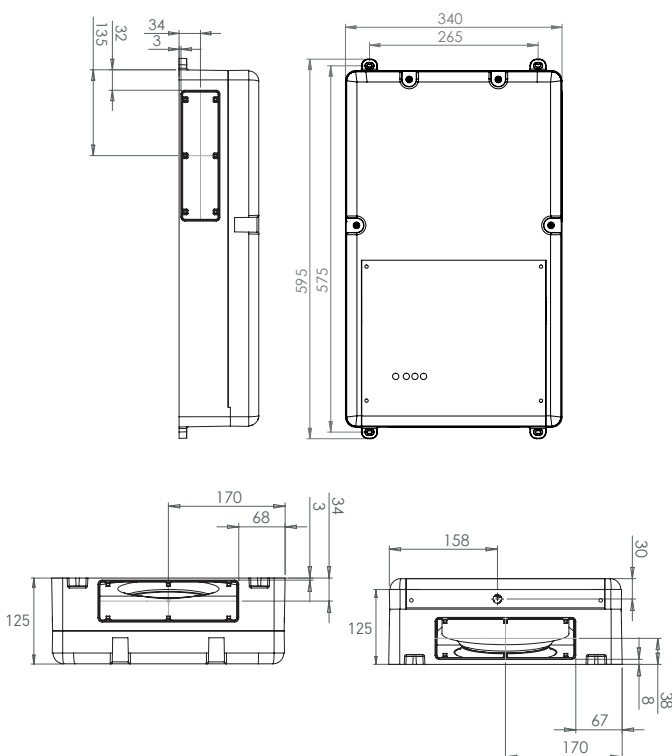


SOUND PERFORMANCE



| Breakout sound performance | | | | | | | | | | | |
|------------------------------|-------------|---------------|-----|-----|-----|----|----|----|----|-------------------|-----|
| Fan speed | Test | Frequency/ Hz | | | | | | | | Breakout dBA @ 3m | LwA |
| | | 63 | 125 | 250 | 500 | 1K | 2K | 4K | 8K | | |
| Sound Power Levels dB re 1pW | | | | | | | | | | | |
| 100% | Open inlet | 61 | 55 | 66 | 70 | 69 | 66 | 61 | 54 | - | 73 |
| 100% | Open outlet | 56 | 56 | 69 | 75 | 72 | 71 | 65 | 57 | - | 77 |
| 100% | Breakout | 56 | 59 | 64 | 65 | 59 | 56 | 49 | 37 | 45 | 65 |
| 75% | Open inlet | 54 | 58 | 63 | 60 | 63 | 59 | 52 | 44 | - | 66 |
| 75% | Open outlet | 49 | 53 | 66 | 69 | 66 | 65 | 57 | 48 | - | 71 |
| 75% | Breakout | 49 | 59 | 61 | 57 | 53 | 49 | 40 | 28 | 38 | 59 |
| 50% | Open inlet | 48 | 49 | 55 | 49 | 53 | 48 | 38 | 29 | - | 56 |
| 50% | Open outlet | 46 | 47 | 58 | 54 | 54 | 52 | 42 | 32 | - | 58 |
| 50% | Breakout | 40 | 49 | 53 | 48 | 42 | 37 | 25 | 13 | 28 | 49 |
| 25% | Open inlet | 48 | 48 | 33 | 28 | 34 | 28 | 13 | 13 | - | 38 |
| 25% | Open outlet | 46 | 46 | 38 | 36 | 33 | 29 | 22 | 21 | - | 39 |
| 25% | Breakout | 46 | 52 | 35 | 30 | 27 | 19 | 6 | 2 | 17 | 37 |

DIMENSIONS



Models

CMX-MULTI/ CMX-MULTI-H

| Controls | Low/Boost Switch | Occupied/Unoccupied Switch | Low/Boost/Purge Switch | Timer | Humidity | Neon Indicator | Duct Mounted Sensor | PIR | 6 Input Junction Box | Air Supply Kit with White Cowl | Air Supply Kit with Brown Cowl |
|----------|------------------|----------------------------|------------------------|-------|----------|----------------|---------------------|-----|----------------------|--------------------------------|--------------------------------|
| ANC848A | • | | | | | | | | | | |
| ANC850A | | | • | | | | | | | | |
| ANC108A | | | | • | | | | | | | |
| ELE150R | | | | | | | | | | • | |
| ANC802A | | | | | • | | | | | | |
| ANC808A | | | | | • | • | | | | | |
| ANC846A | | | | | • | | • | | | | |
| ANC813A | | | | • | | | | • | | | |

Visit our website to see our full range of Duct and Ancillaries. With 8 profiles to choose from Domus Ventilation can supply the entire solution via a wide selection of National stockist and distributors.

**YOUR
VENTILATION
SPECIALIST**

03443 715 523

www.domusventilation.co.uk

domusventilation_



© Domus Ventilation 2022. Issue date 2022-08

The information contained in this publication is correct at the time of print and is subject to change. Please visit our website for the latest information: www.domusventilation.co.uk

Domus Ventilation | Block C, Van Court, Caerphilly CF83 3ED, United Kingdom