

# MPS 400 E4 21

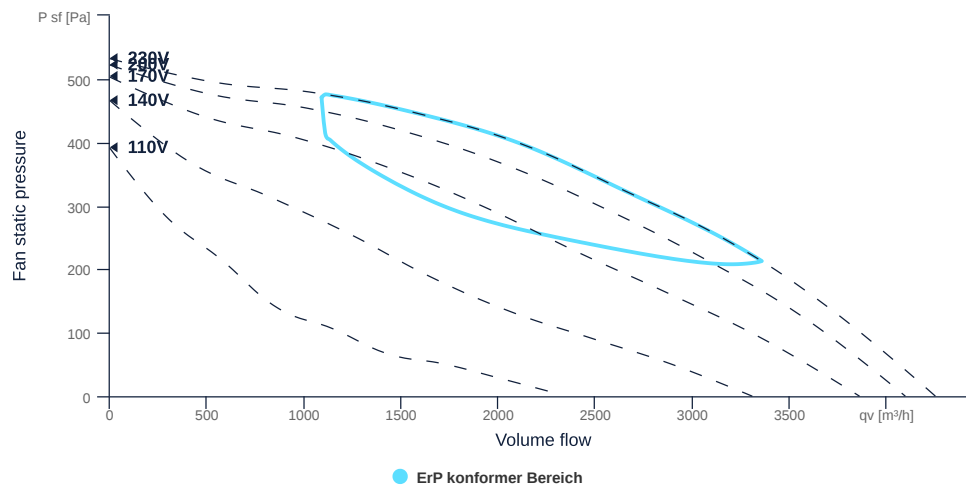
138005

- Backward curved radial impeller
- Swing out fan unit
- Sheet steel housing double-walled, 40 mm mineral wool
- AC motor outside the airflow, controllable
- Conveyed medium temperature up to 120 °C in continuous operation
- With condensate and grease drain



## MAP

| Name        | Value | Unit |
|-------------|-------|------|
| Volume flow | 0     | m³/h |
| Pressure    | 0     | Pa   |



zur Produktseite

# MPS 400 E4 21

138005

## GENERAL DATA

| Name   | Value            | Unit              | Formula symbol          |
|--|------------------|-------------------|-------------------------|
| ERP conformity   | Yes              |                   |                         |
| Certifications   | none             |                   |                         |
| Duct size  | -                |                   | WxH <sub>duct</sub>     |
| Pipe connection size (DN)                              | DN355            |                   | DN                      |
| Rated voltage (entire device)                          | 230              | V                 | U <sub>rated</sub>      |
| Phases (entire device)                                 | 1~               |                   | phase                   |
| Electrical protection (entire device)                  | 6 A              |                   | fuse                    |
| Housing material                                       | Galvanized steel |                   | mat <sub>casing</sub>   |
| Impeller material                                      | Steel            |                   | mat <sub>impeller</sub> |
| Weight   | 67               | kg                | m                       |
| Nominal air flow rate, nominal point m <sup>3</sup> /h | 3279.6           | m <sup>3</sup> /h | q <sub>v,nom</sub>      |
| Nominal external pressure, static                      | 228              | Pa                | p <sub>s,nom</sub>      |
| Fan type   | Radial           |                   | Fan <sub>type</sub>     |
| Category / Installation situation                      | A                |                   | cat                     |

## ERP DATA (LOT 6)

| Name   | Value                     | Unit              | Formula symbol      |
|--|---------------------------|-------------------|---------------------|
| Nominal air flow rate, nominal point m <sup>3</sup> /s | 0.91                      | m <sup>3</sup> /s | q <sub>v,nom</sub>  |
| Actual electrical input power, nominal point           | 0.52                      | kW                | P <sub>e,nom</sub>  |
| Face velocity, nominal point                           | 9.21                      | m/s               | v <sub>nom</sub>    |
| Nominal external pressure, static                      | 228                       | Pa                | p <sub>s,nom</sub>  |
| supply air fan static efficiency, nominal point        | 48.1                      | %                 | η <sub>es,SUP</sub> |
| Enclosure sound level, nominal point                   | 69                        | dB(A)             | L <sub>WA2</sub>    |
| Rating   | Product is compliant 2018 |                   |                     |

## MAXIMAL DATA

| Name                            | Value | Unit              | Formula symbol       |
|---------------------------------|-------|-------------------|----------------------|
| Max. power consumption (device) | 526   | W                 | P <sub>ed,max</sub>  |
| Max. operating current (device) | 2.95  | A                 | I <sub>ed,max</sub>  |
| Max. speed                      | 1450  | 1/min             | n <sub>max</sub>     |
| Max. stat. efficiency           | 45.9  | %                 | η <sub>es</sub>      |
| Max. fan efficiency             | 49.6  | %                 | η <sub>e</sub>       |
| Max. flowrate                   | 4250  | m <sup>3</sup> /h | q <sub>v,max</sub>   |
| Max. stat pressure              | 530   | Pa                | p <sub>sf,max</sub>  |
| Max. medium temperature         | 120   | °C                | T <sub>m,max</sub>   |
| Max. environment temperature    | 80    | °C                | T <sub>amb,max</sub> |
| Min. environment temperature    | -25   | °C                | T <sub>amb,min</sub> |
| Min. voltage                    | 110   | V                 | U <sub>min</sub>     |

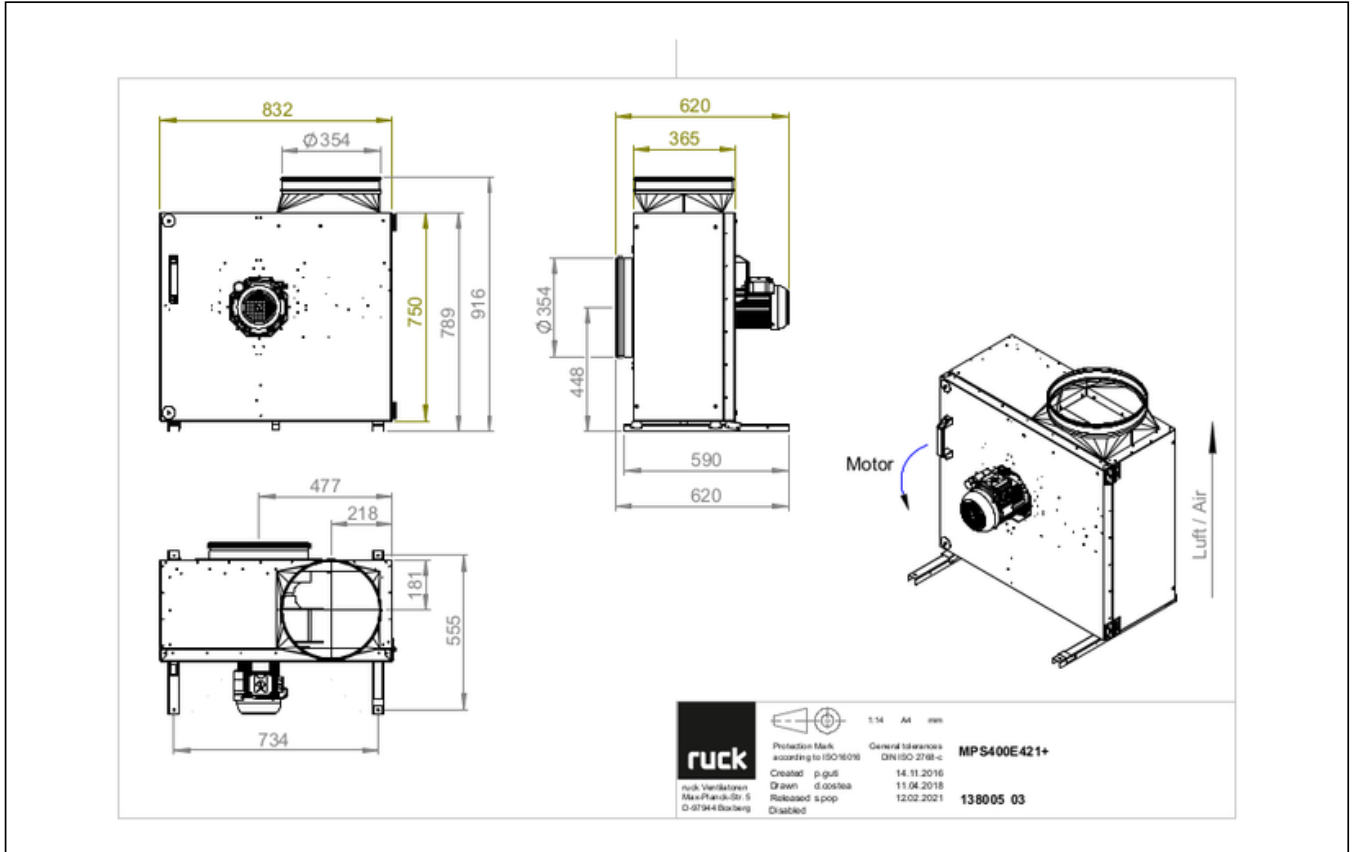


zur Produktseite

# MPS 400 E4 21

138005

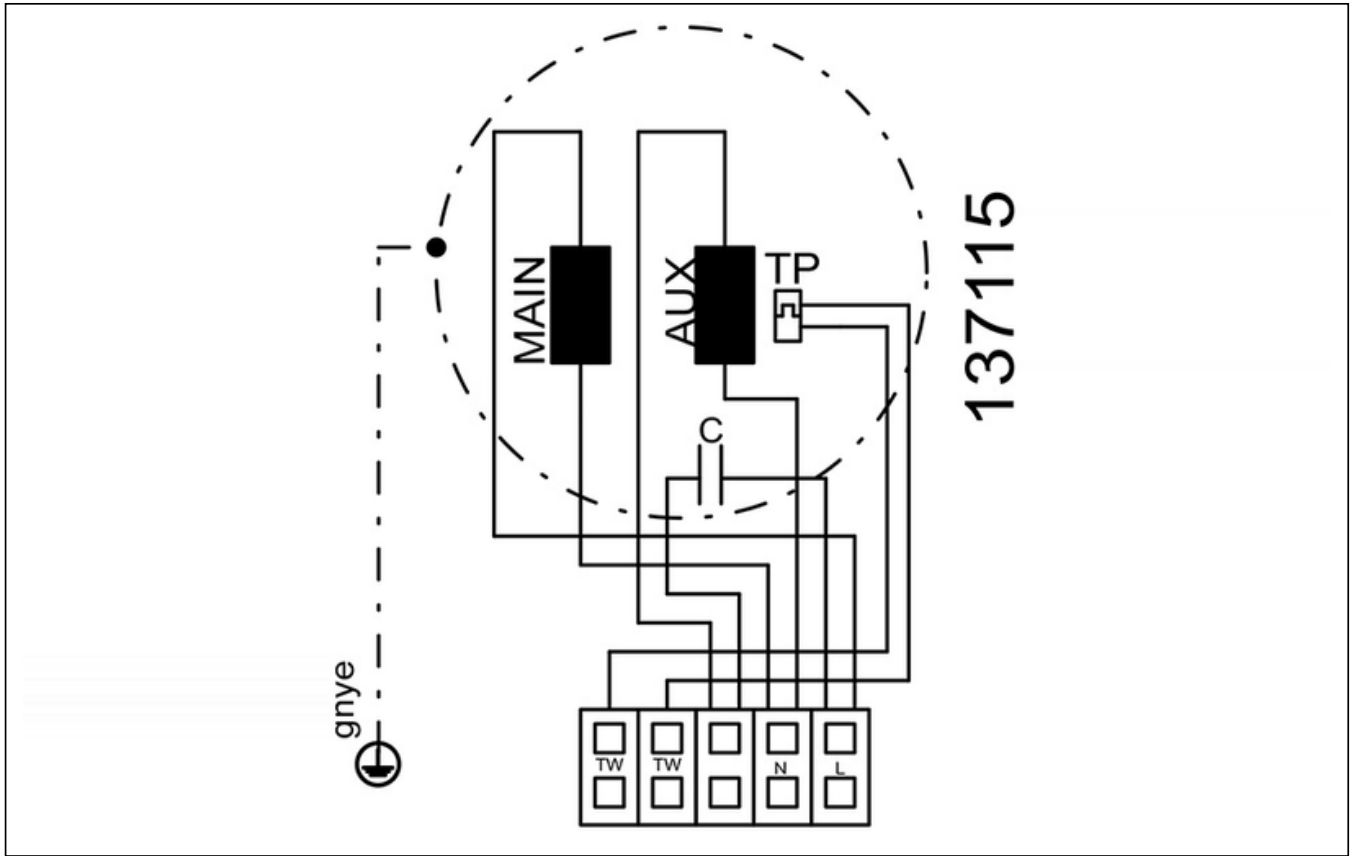
## SCHALTPLÄNE / MASSZEICHNUNGEN



zur Produktseite

# MPS 400 E4 21

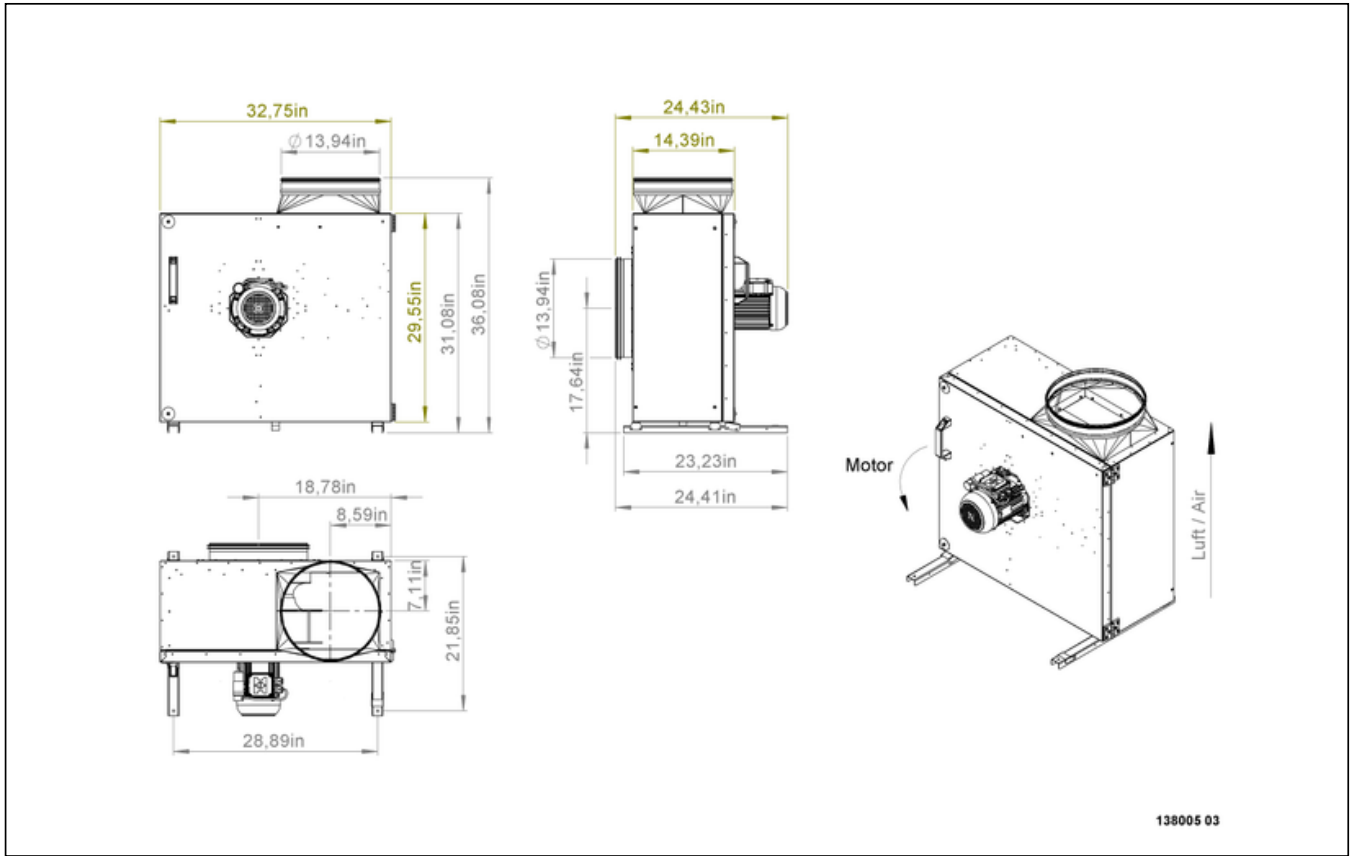
138005



zur Produktseite

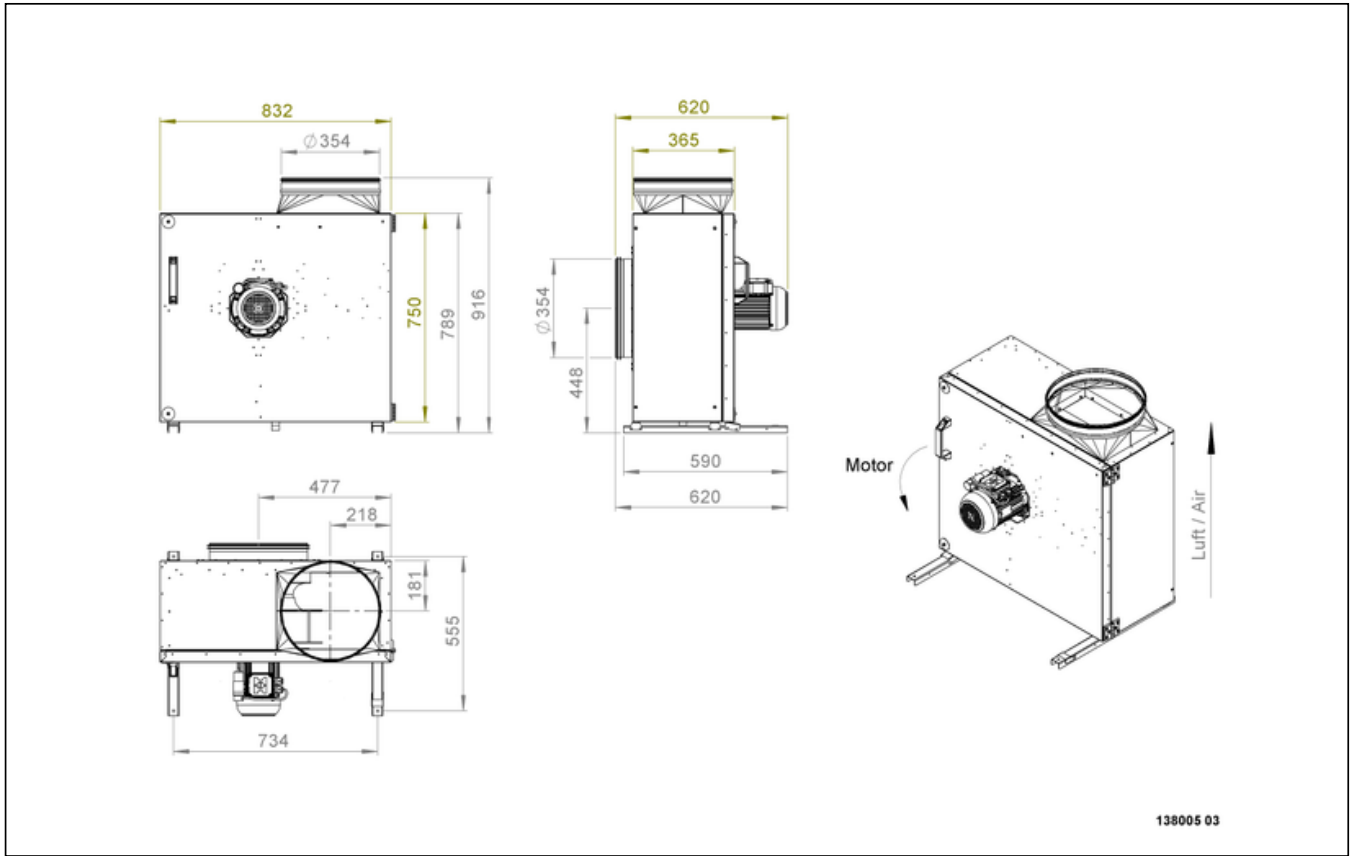
# MPS 400 E4 21

138005



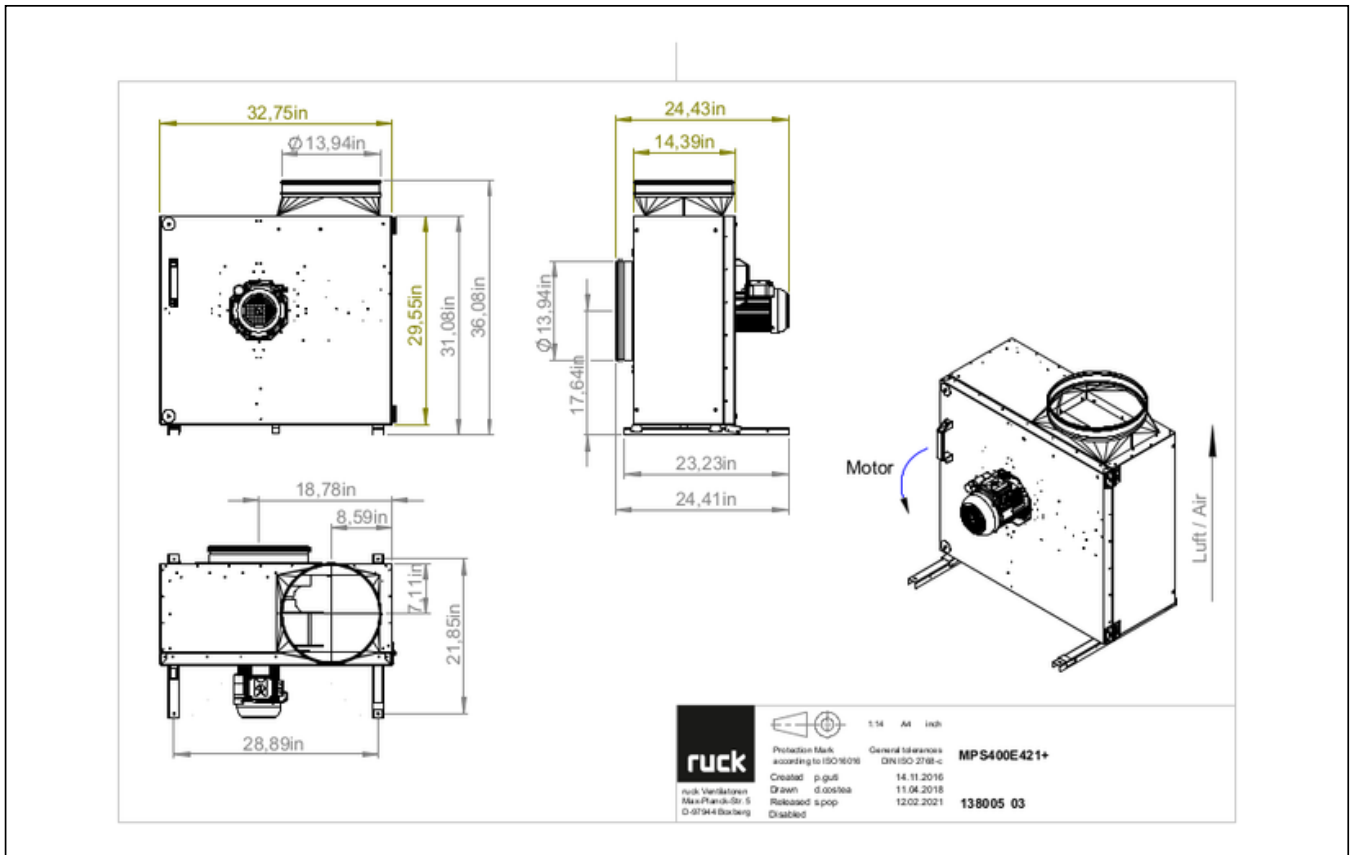
# MPS 400 E4 21

138005



# MPS 400 E4 21

138005



## MECHANICAL ACCESSORIES

**RSK 355 | 102665**



- Back draught shutter for tube fitting
- Galvanized steel sheet housing
- Aluminum flaps

**RSK 355D | 113491**



- Back draught shutter for tube fitting
- Galvanized steel sheet housing
- Aluminum flaps
- Integrated gasket

**WK MPS 07 | 127953**



- For wall mounting of a box fan
- Galvanized steel sheet
- 1 Pack = 2 pieces

**VM 355 | 102653**



- Fast clamps for sound decoupling and sealing
- Galvanized steel sheet, 5 mm
- Neopren gasket
- 1 Pack = 2 pieces

**WSH MPS | 103661**



- Weather protection hood for motor
- Galvanized steel sheet



zur Produktseite

# MPS 400 E4 21

138005

## ELECTRICAL ACCESSORIES

GS 01 | 102787



- Isolator switch
- $U_{max} = 400\text{ V}$ , 50/60 Hz
- Switching capacity 400 V 3~ = 5,5 kW
- $I_{max} = 16\text{ A}$

TEM 035 | 103502



- 5-step transformer
- 230 V, 50/60 Hz, 3,5 A
- Output voltage: 230-190-170-140-110-80-0 V
- Protection class IP 54

TEM 035G | 111580



TES 035 02 | 146195



- 5-step transformer
- 230 V, 50/60 Hz, 3,5 A
- Without housing, control cabinet installation
- Protection class IP 20



zur Produktseite