

MPS 315 E2 21

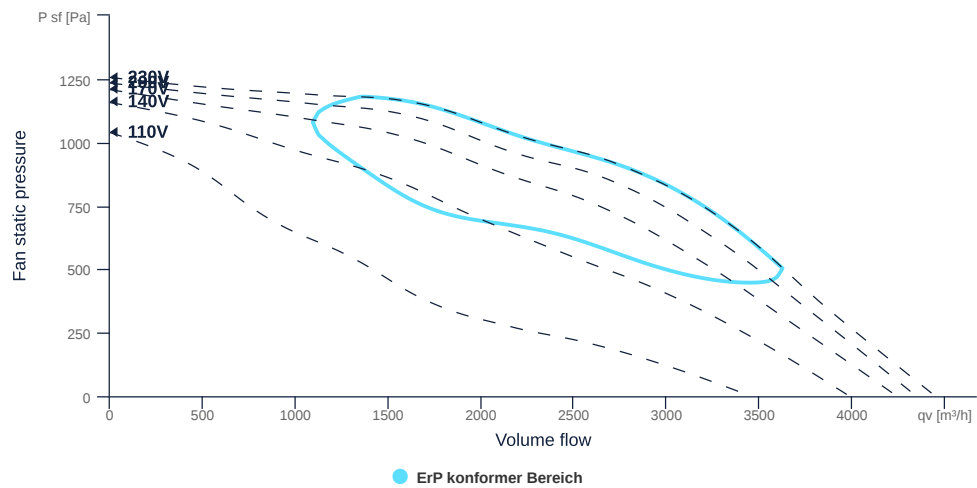
137079

- Backward curved radial impeller
- Swing out fan unit
- Sheet steel housing double-walled, 40 mm mineral wool
- AC motor outside the airflow, controllable
- Conveyed medium temperature up to 120 °C in continuous operation
- With condensate and grease drain



MAP

Name	Value	Unit
Volume flow	0	m³/h
Pressure	0	Pa



zur Produktseite

GENERAL DATA

Name	Value	Unit	Formula symbol
ERP conformity	Yes		
Certifications	none		
Duct size	-		WxH _{duct}
Pipe connection size (DN)	DN355		DN
Rated voltage (entire device)	230	V	U _{rated}
Phases (entire device)	1~		phase
Electrical protection (entire device)	10 A		fuse
Housing material	Galvanized steel		mat _{casing}
Impeller material	Steel		mat _{impeller}
Weight	55	kg	m
Nominal air flow rate, nominal point m ³ /h	3546	m ³ /h	q _{v,nom}
Nominal external pressure, static	557	Pa	p _{s,nom}
Fan type	Radial		Fan _{type}
Category / Installation situation	A		cat

ERP DATA (LOT 6)

Name	Value	Unit	Formula symbol
Nominal air flow rate, nominal point m ³ /s	0.99	m ³ /s	q _{v,nom}
Actual electrical input power, nominal point	1.2	kW	P _{e,nom}
Face velocity, nominal point	9.9	m/s	v _{nom}
Nominal external pressure, static	557	Pa	p _{s,nom}
supply air fan static efficiency, nominal point	55.9	%	η _{es,SUP}
Highest external air leakage rate	0.16	%	
Enclosure sound level, nominal point	76	dB(A)	L _{WA2}
Rating	Product is compliant 2018		



zur Produktseite

MPS 315 E2 21

137079

ruck

MAXIMAL DATA

Name	Value	Unit	Formula symbol
Max. power consumption (device)	1292	W	$P_{ed, max}$
Max. operating current (device)	7.58	A	$I_{ed, max}$
Max. speed	2920	1/min	n_{max}
Max. stat. efficiency	51.5	%	η_{es}
Max. fan efficiency	53.1	%	η_e
Max. flowrate	4450	m ³ /h	Q_v, max
Max. stat pressure	1260	Pa	$p_{sf, max}$
Max. medium temperature	120	°C	T_m, max
Max. environment temperature	50	°C	$T_{amb, max}$
Min. environment temperature	-25	°C	$T_{amb, min}$
Min. voltage	110	V	U_{min}
Stall current	22	A	I_{LRA}

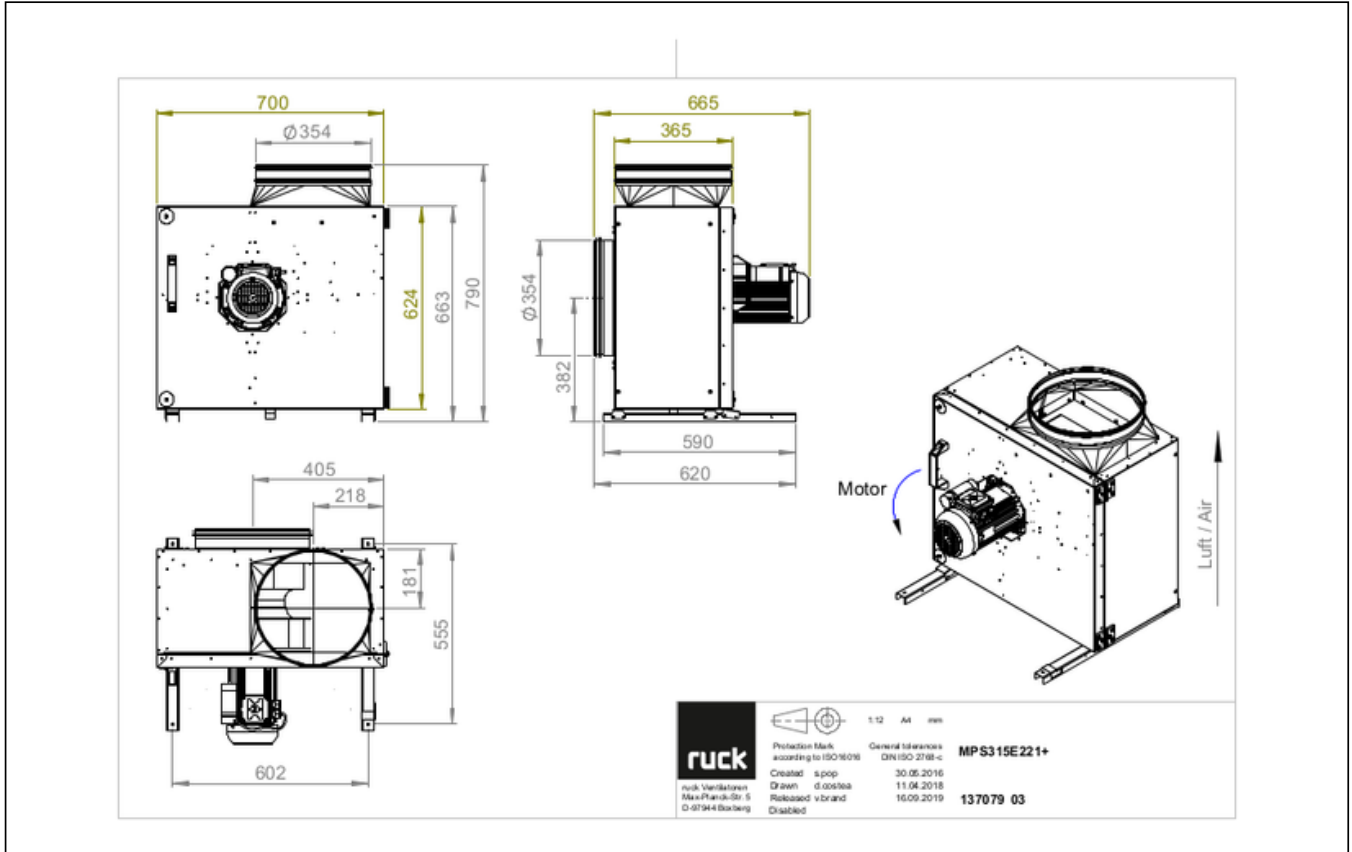


zur Produktseite

MPS 315 E2 21

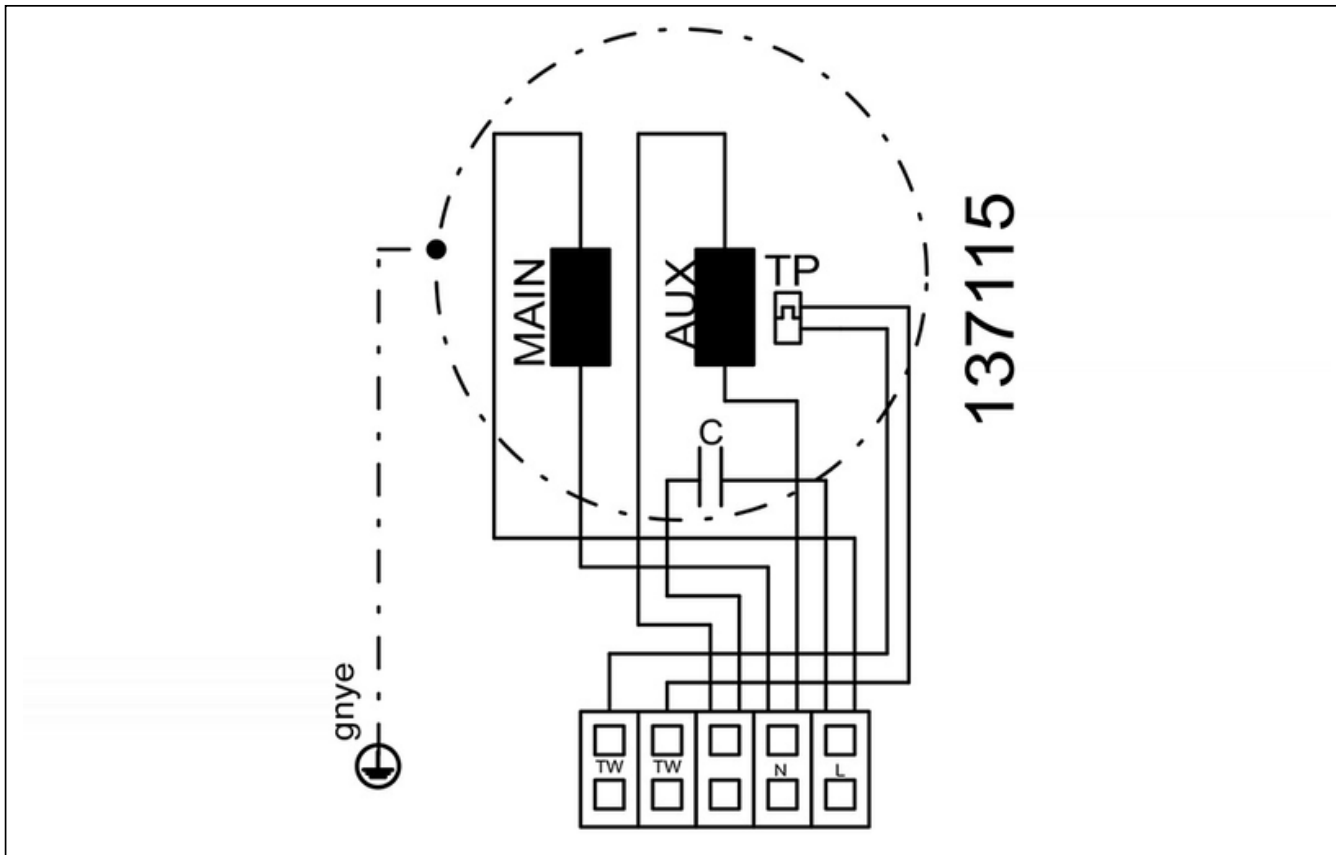
137079

SCHALTPLÄNE / MASSZEICHNUNGEN



MPS 315 E2 21

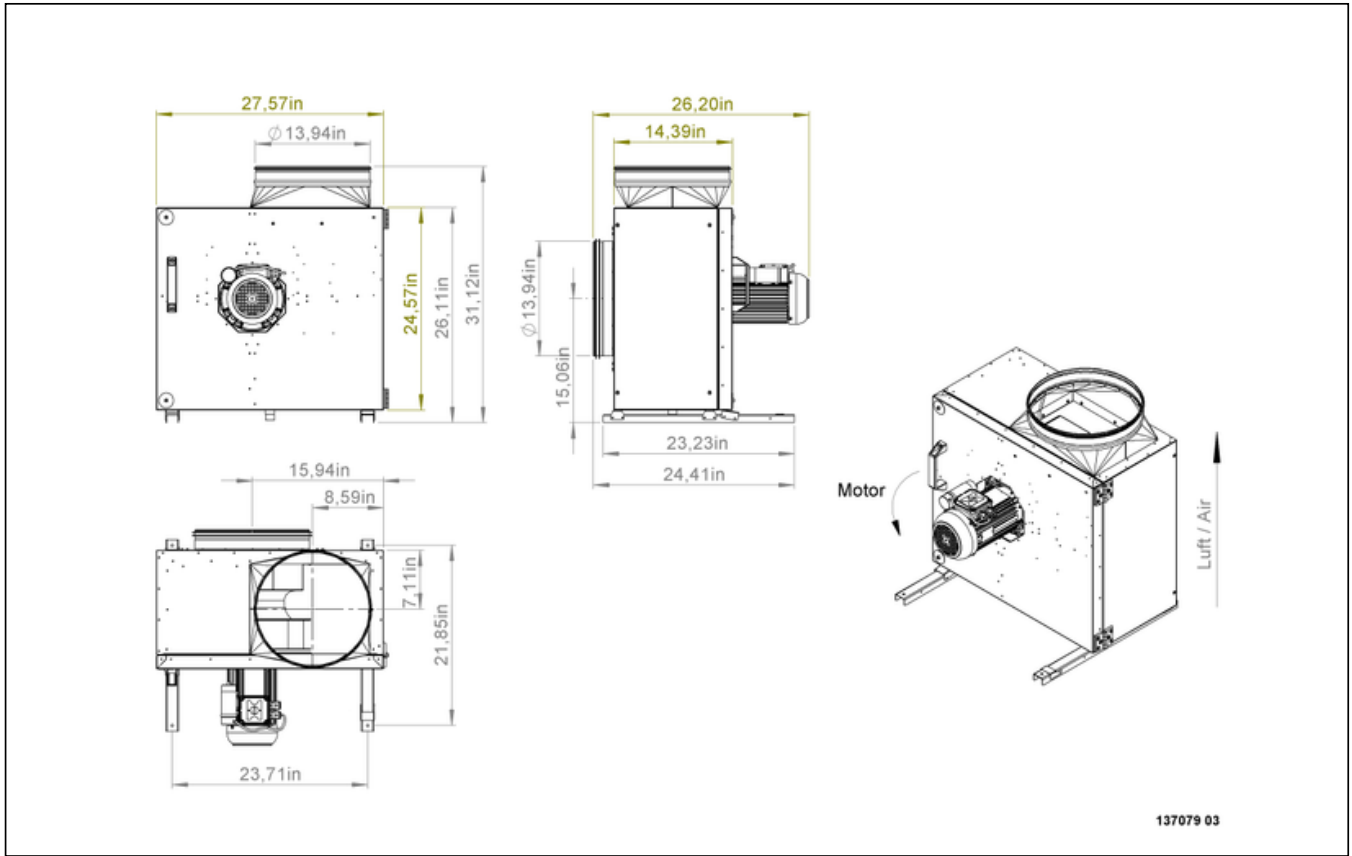
137079



zur Produktseite

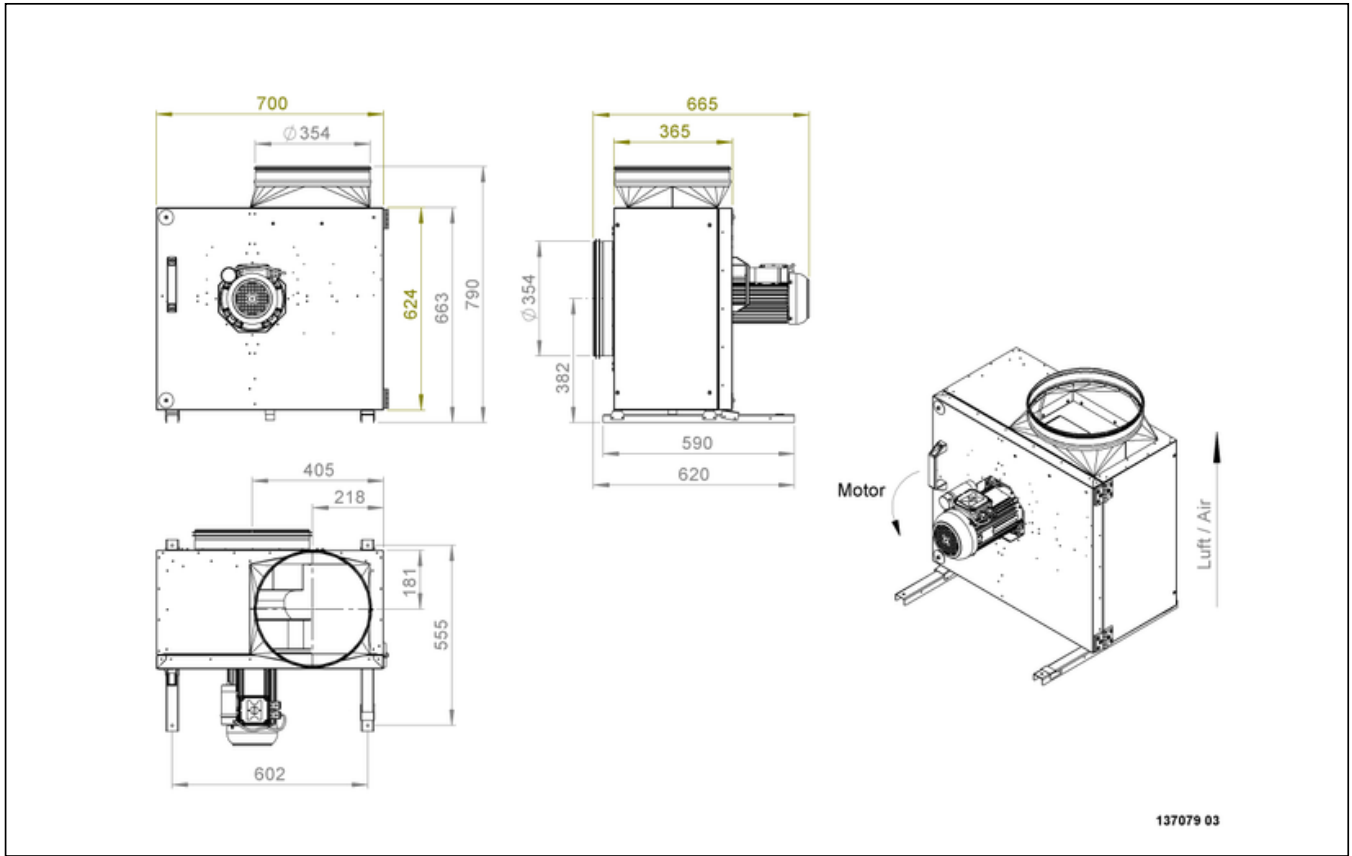
MPS 315 E2 21

137079



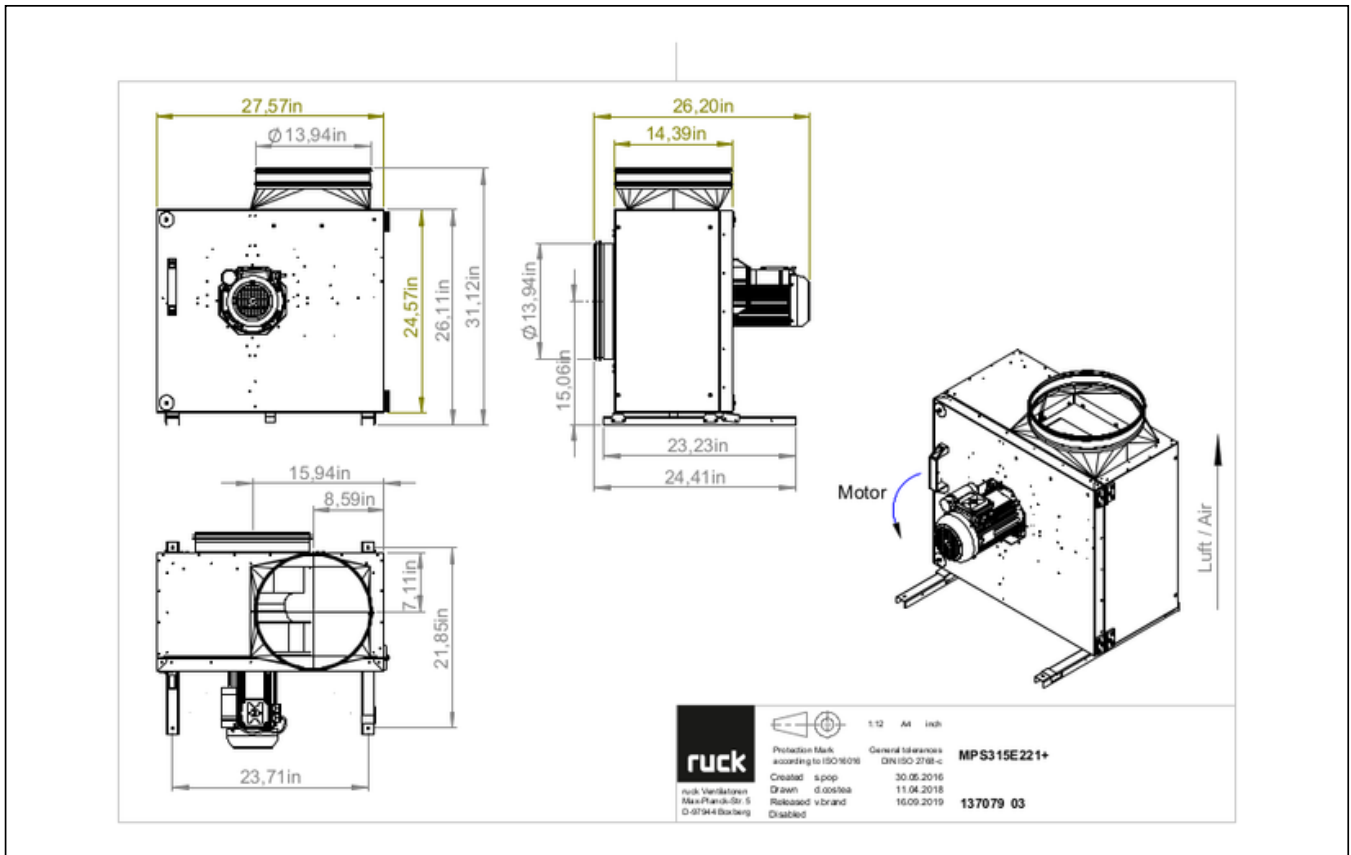
MPS 315 E2 21

137079



MPS 315 E2 21

137079



MECHANICAL ACCESSORIES

RSK 355 | 102665



- Back draught shutter for tube fitting
- Galvanized steel sheet housing
- Aluminum flaps

RSK 355D | 113491



- Back draught shutter for tube fitting
- Galvanized steel sheet housing
- Aluminum flaps
- Integrated gasket

WK MPS 07 | 127953



- For wall mounting of a box fan
- Galvanized steel sheet
- 1 Pack = 2 pieces

VM 355 | 102653



- Fast clamps for sound decoupling and sealing
- Galvanized steel sheet, 5 mm Neopren gasket
- 1 Pack = 2 pieces

WSH MPS | 103661



- Weather protection hood for motor
- Galvanized steel sheet



zur Produktseite

MPS 315 E2 21

137079

ELECTRICAL ACCESSORIES

GS 01 | 102787



- Isolator switch
- $U_{max} = 400 \text{ V}$, 50/60 Hz
- Switching capacity 400 V 3~ = 5,5 kW
- $I_{max} = 16 \text{ A}$

TEM 100 | 103511



- 5-step transformer
- 230 V, 50/60 Hz, 10 A
- Output voltage: 230-190-170-140-110-80-0 V
- Protection class IP 54

TEM 100G | 109069



- 5-step transformer
- 230 V ~, 50/60 Hz

TES 100 02 | 146198



- 5-step transformer
- 230 V, 50/60 Hz, 10 A
- Without housing, control cabinet installation
- Protection class IP 20



zur Produktseite