

MPS 280 E2 20

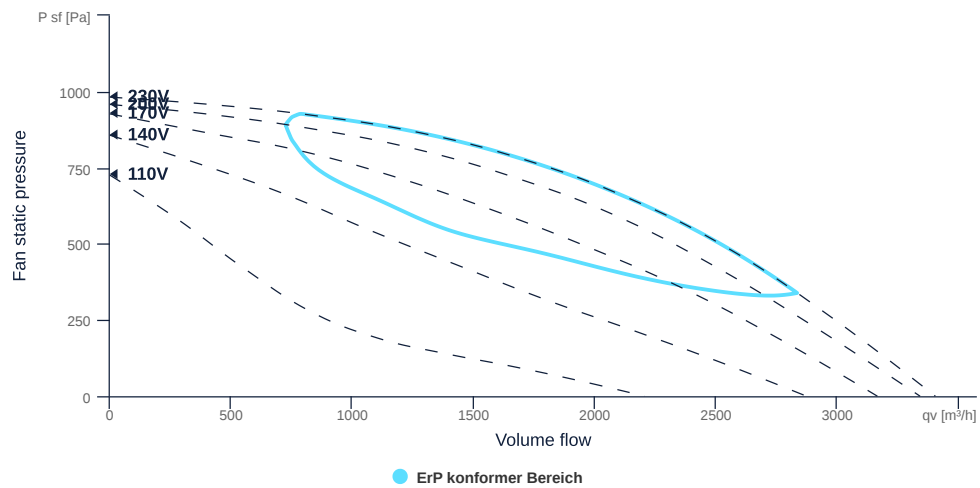
126647

- Backward curved radial impeller
- Swing out fan unit
- Sheet steel housing double-walled, 40 mm mineral wool
- AC motor outside the airflow, controllable
- Conveyed medium temperature up to 120 °C in continuous operation
- With condensate and grease drain



MAP

Name	Value	Unit
Volume flow	0	m³/h
Pressure	0	Pa



zur Produktseite

MPS 280 E2 20

126647

ruck

GENERAL DATA

Name	Value	Unit	Formula symbol
ERP conformity	Yes		
Certifications	none		
Duct size	-		WxH _{duct}
Pipe connection size (DN)	DN315		DN
Rated voltage (entire device)	230	V	U _{rated}
Phases (entire device)	1~		phase
Electrical protection (entire device)	6 A		fuse
Housing material	Galvanized steel		mat _{casing}
Impeller material	Steel		mat _{impeller}
IP-protection class (entire device)	IPX4		IP _{compl}
IP-Protection class (terminal box)	IP54		IP _{ebox}
Weight	47.5	kg	m
Nominal air flow rate, nominal point m ³ /h	2761.2	m ³ /h	q _{v,nom}
Nominal external pressure, static	379	Pa	p _{s,nom}
Fan type	Radial		Fan _{type}
Category / Installation situation	A		cat

ERP DATA (LOT 6)

Name	Value	Unit	Formula symbol
Nominal air flow rate, nominal point m ³ /s	0.77	m ³ /s	q _{v,nom}
Actual electrical input power, nominal point	0.69	kW	P _{e,nom}
Face velocity, nominal point	9.8	m/s	V _{nom}
Nominal external pressure, static	379	Pa	p _{s,nom}
supply air fan static efficiency, nominal point	53.4	%	η _{es,SUP}
Highest external air leakage rate	0.02	%	
Enclosure sound level, nominal point	76	dB(A)	L _{WA2}
Rating	Product is compliant 2018		



zur Produktseite

MPS 280 E2 20

126647

ruck

MAXIMAL DATA

Name	Value	Unit	Formula symbol
Max. power consumption (device)	722	W	$P_{ed, max}$
Max. operating current (device)	4.13	A	$I_{ed, max}$
Max. speed	2890	1/min	n_{max}
Max. stat. efficiency	50.3	%	η_{es}
Max. fan efficiency	52.9	%	η_e
Max. flowrate	3400	m ³ /h	Q_v, max
Max. stat pressure	980	Pa	$p_{sf, max}$
Max. medium temperature	120	°C	T_m, max
Max. environment temperature	80	°C	$T_{amb, max}$
Min. environment temperature	-25	°C	$T_{amb, min}$
Min. voltage	110	V	U_{min}

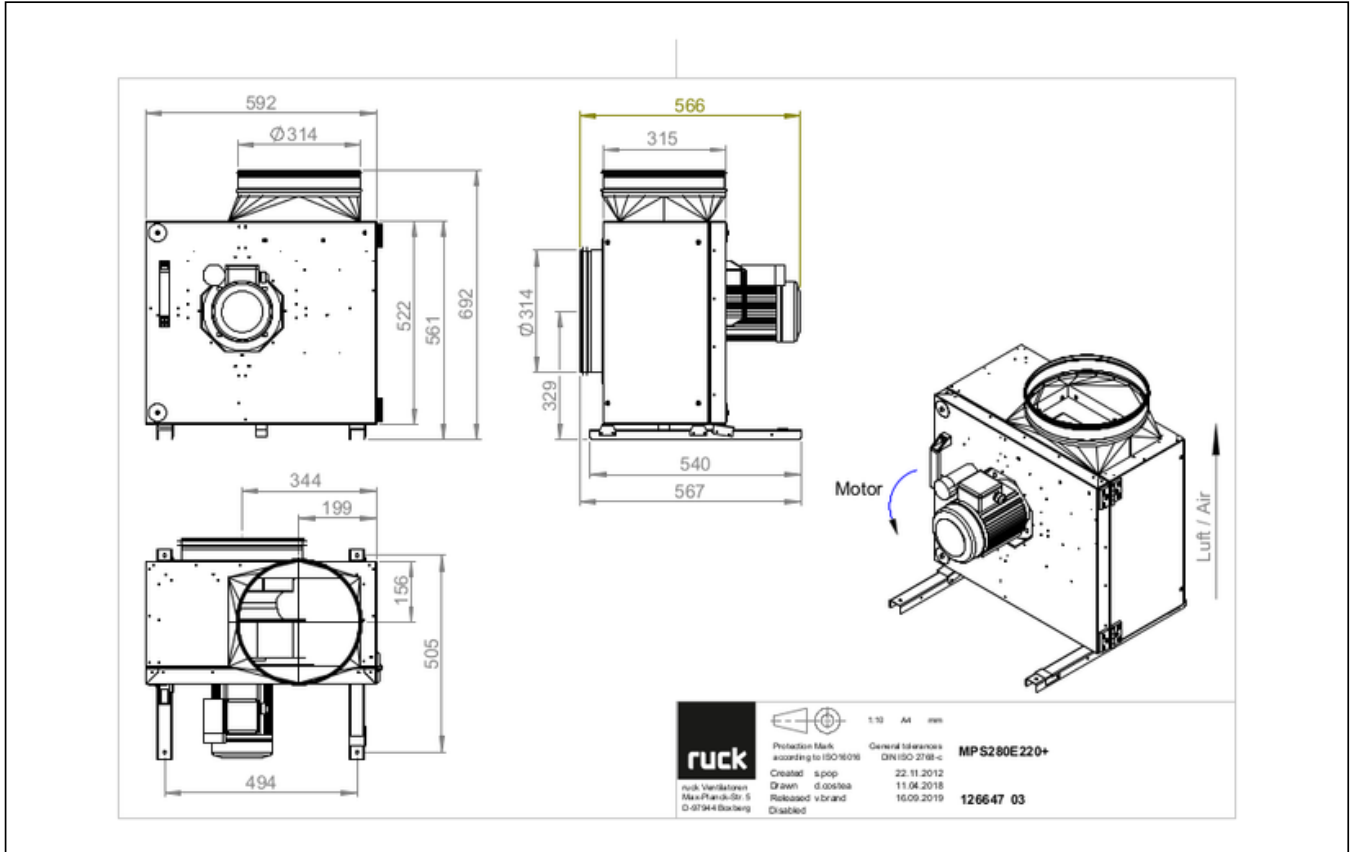


zur Produktseite

MPS 280 E2 20

126647

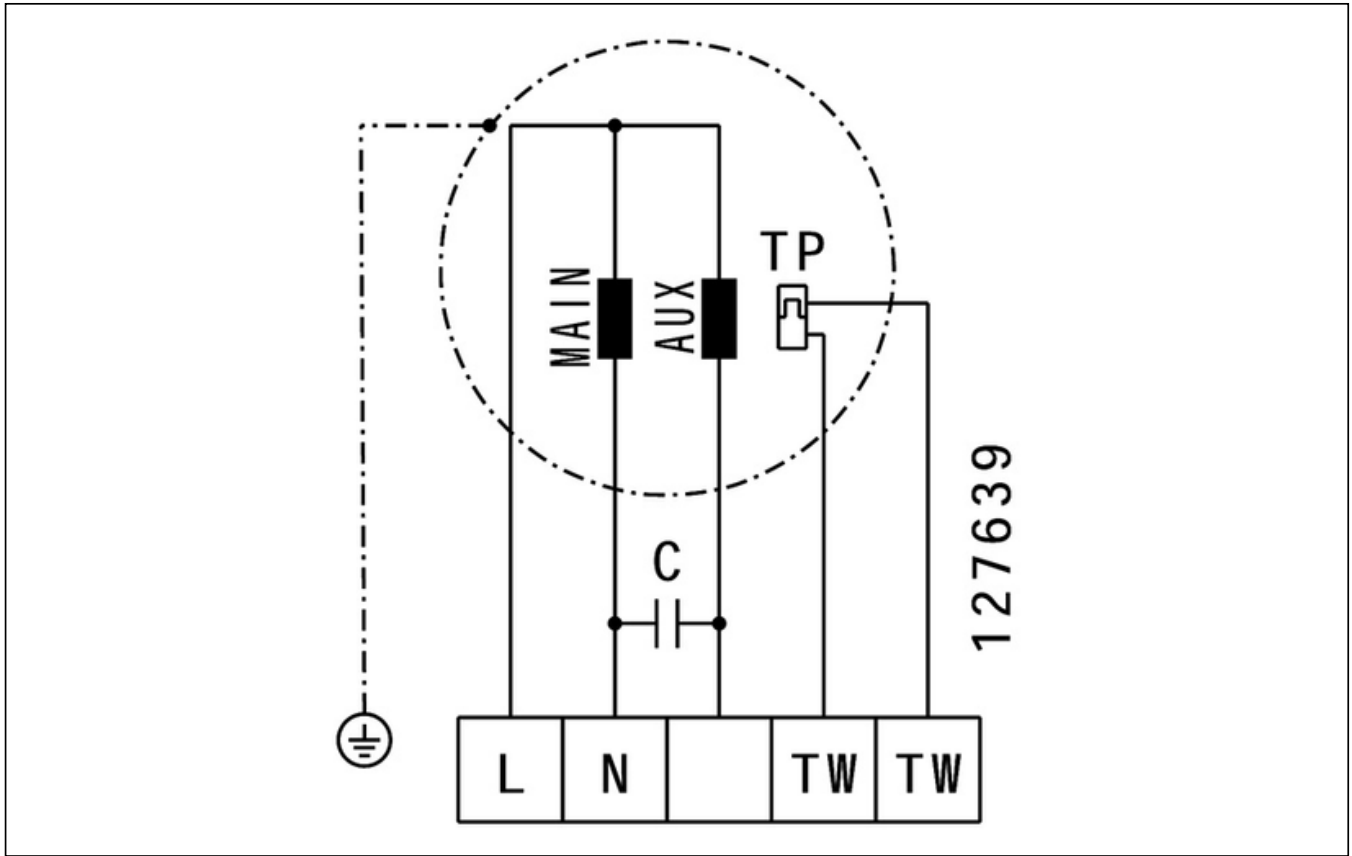
SCHALTPLÄNE / MASSZEICHNUNGEN



zur Produktseite

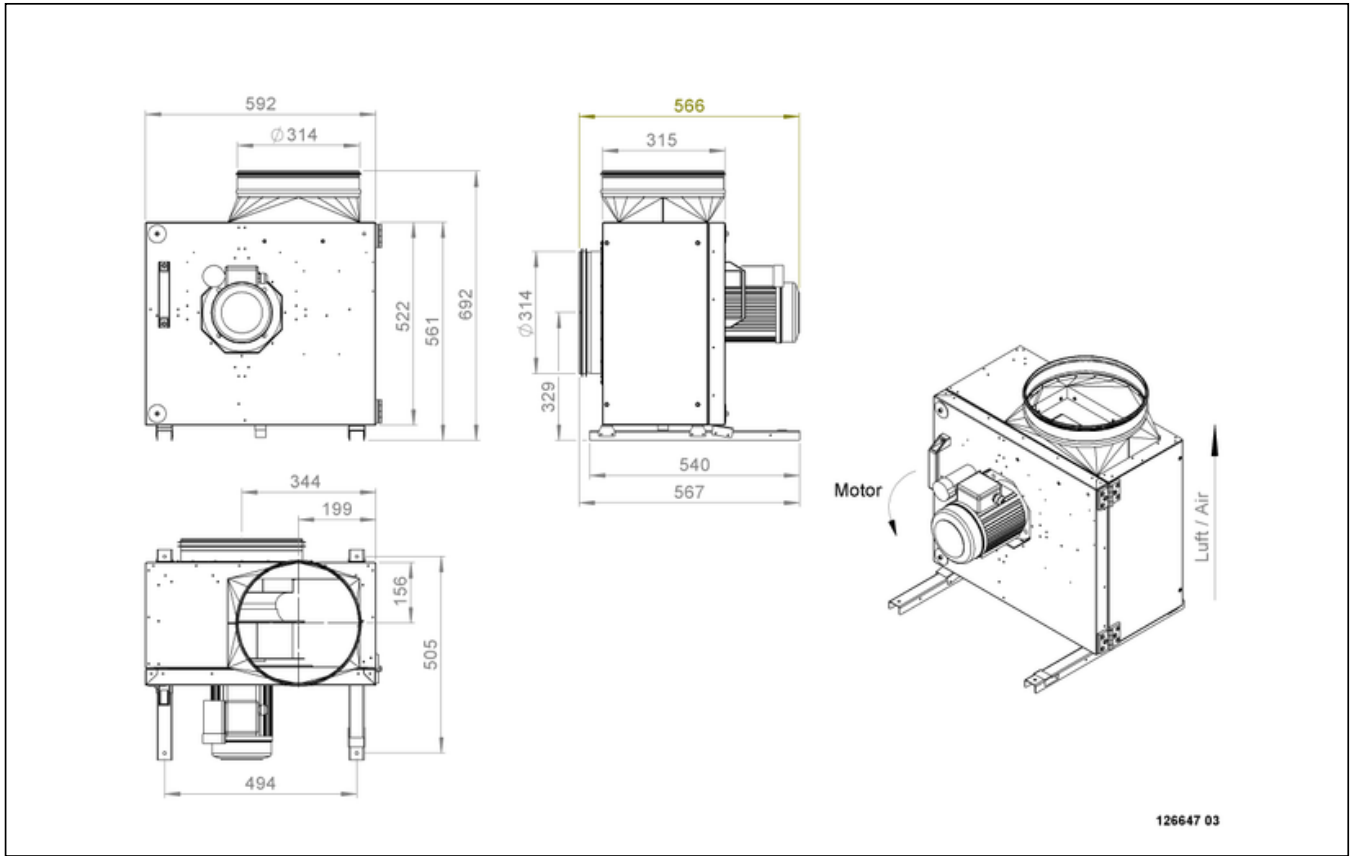
MPS 280 E2 20

126647



MPS 280 E2 20

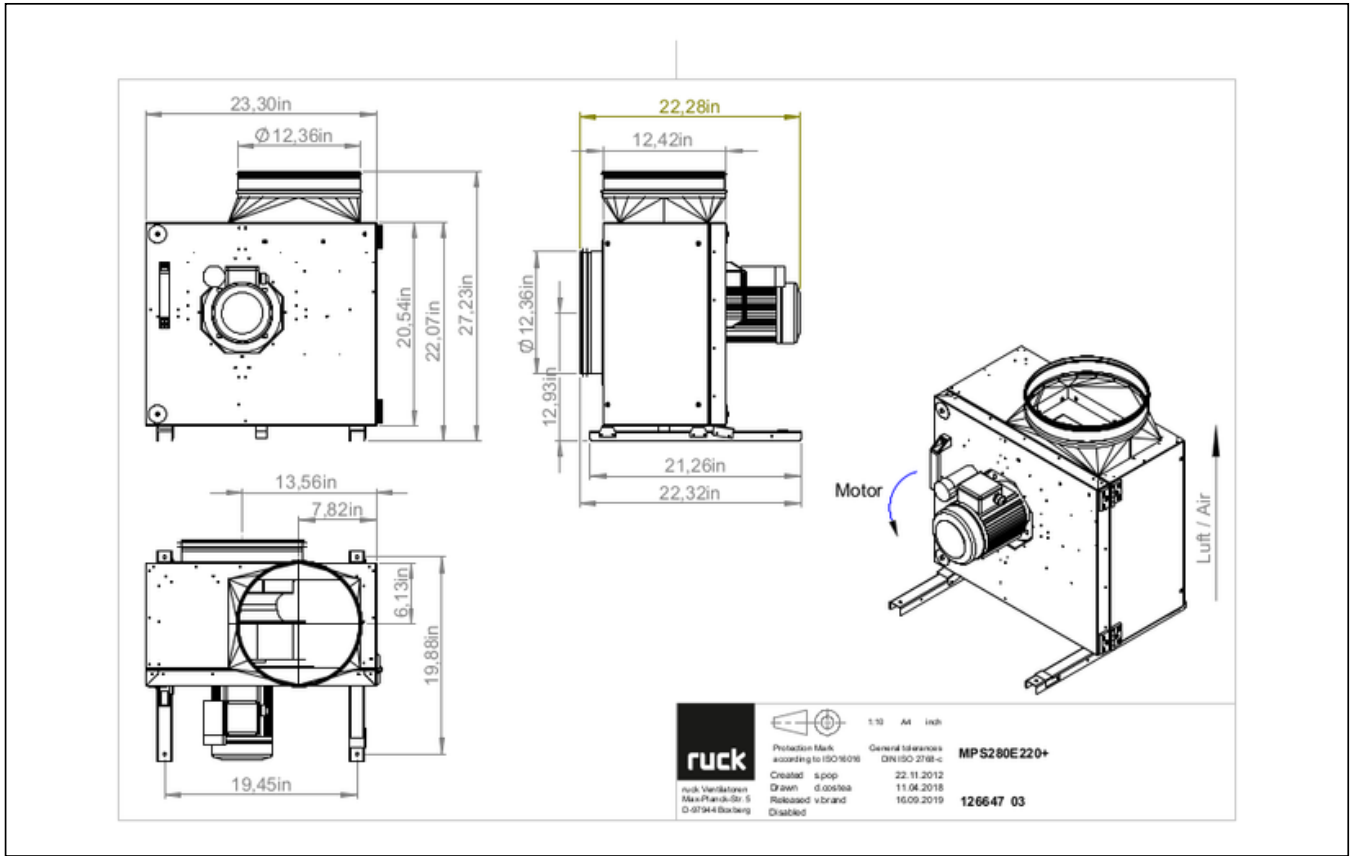
126647



zur Produktseite

MPS 280 E2 20

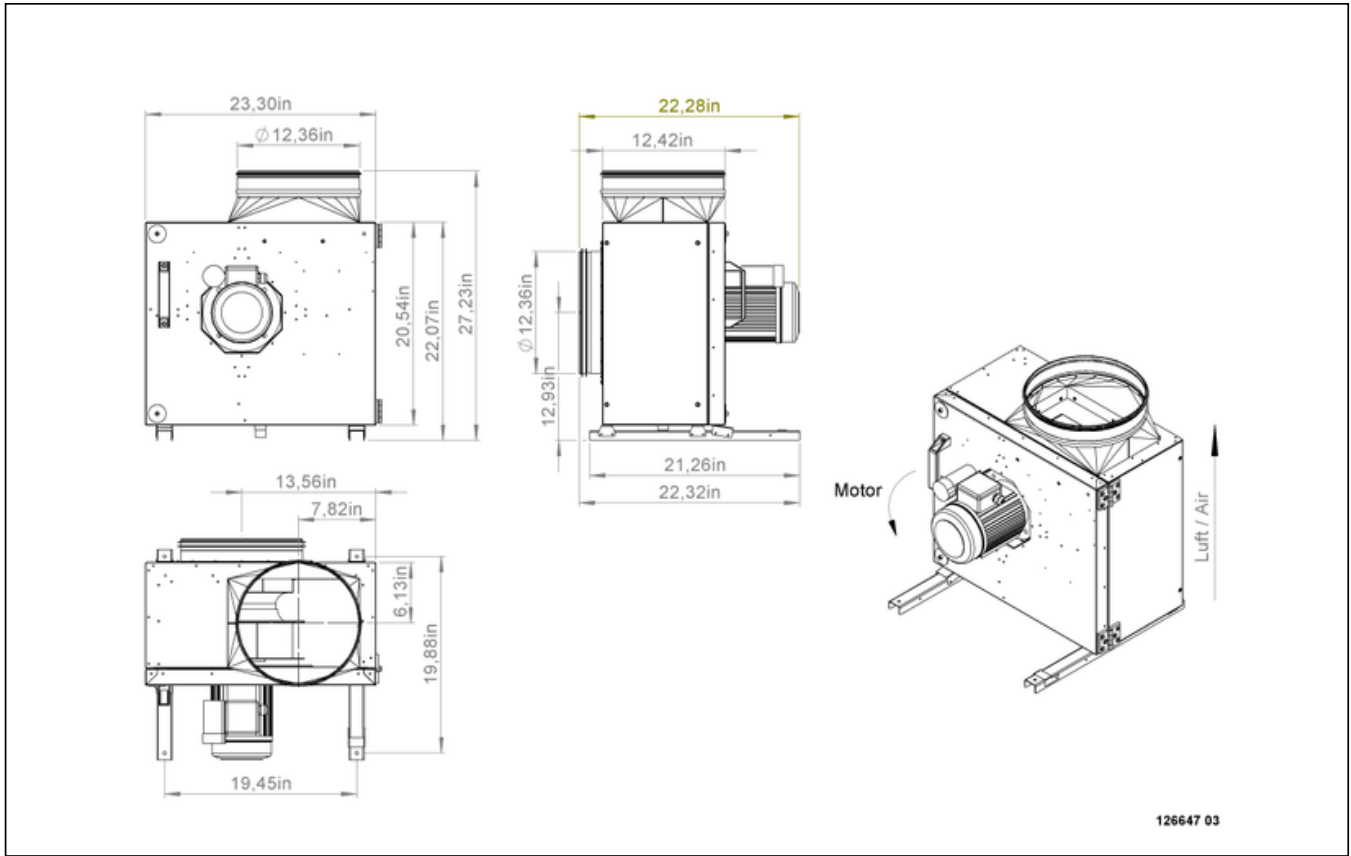
126647



zur Produktseite

MPS 280 E2 20

126647



MECHANICAL ACCESSORIES

RSK 315 | 102664



- Back draught shutter for tube fitting
- Galvanized steel sheet housing
- Aluminum flaps

WK MPS 07 | 127953



- For wall mounting of a box fan
- Galvanized steel sheet
- 1 Pack = 2 pieces

WSH MPS | 103661



- Weather protection hood for motor
- Galvanized steel sheet

RSK 315D | 113489



- Back draught shutter for tube fitting
- Galvanized steel sheet housing
- Aluminum flaps
- Integrated gasket

VM 315 | 102652



- Fast clamps for sound decoupling and sealing
- Galvanized steel sheet, 5 mm
- Neopren gasket
- 1 Pack = 2 pieces



zur Produktseite

MPS 280 E2 20

126647

ELECTRICAL ACCESSORIES

GS 01 | 102787



- Isolator switch
- U_{max} = 400 V, 50/60 Hz
- Switching capacity 400 V 3~ = 5,5 kW
- I_{max} = 16 A

TEM 050 | 103519



- 5-step transformer
- 230 V, 50/60 Hz, 5 A
- Output voltage: 230-190-170-140-110-80-0 V
- Protection class IP 54

TEM 050G | 109966



- 5-step transformer
- 230 V ~, 50/60 Hz

TES 050 02 | 146196



- 5-step transformer
- 230 V, 50/60 Hz, 5 A
- Without housing, control cabinet installation
- Protection class IP 20



zur Produktseite