

MPS 250 E2 20

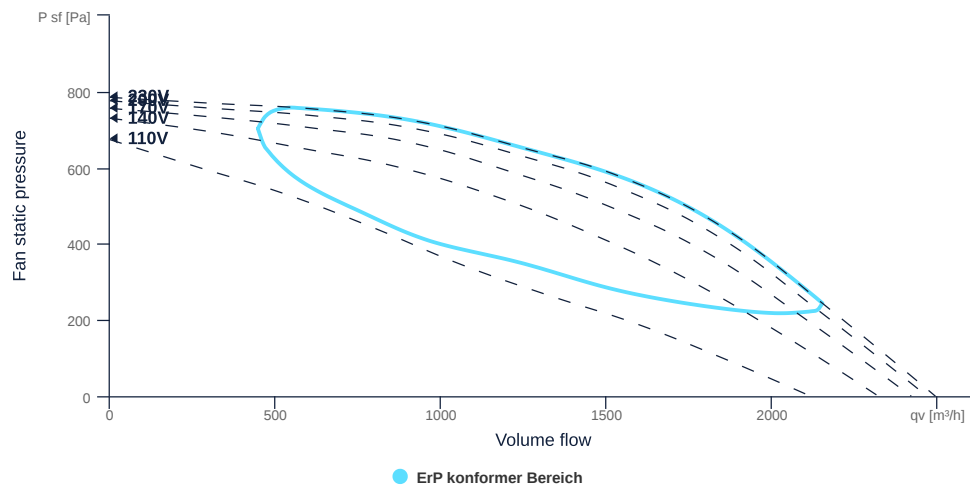
126646

- Backward curved radial impeller
- Swing out fan unit
- Sheet steel housing double-walled, 40 mm mineral wool
- AC motor outside the airflow, controllable
- Conveyed medium temperature up to 120 °C in continuous operation
- With condensate and grease drain



MAP

Name	Value	Unit
Volume flow	0	m³/h
Pressure	0	Pa



zur Produktseite

GENERAL DATA

Name	Value	Unit	Formula symbol
ERP conformity	Yes		
Certifications	none		
Duct size	-		WxH _{duct}
Pipe connection size (DN)	DN250		DN
Rated voltage (entire device)	230	V	U _{rated}
Phases (entire device)	1~		phase
Electrical protection (entire device)	6 A		fuse
Housing material	Galvanized steel		mat _{casing}
Impeller material	Steel		mat _{impeller}
Weight	41.7	kg	m
Nominal air flow rate, nominal point m ³ /h	2109.6	m ³ /h	q _{v,nom}
Nominal external pressure, static	275	Pa	p _{s,nom}
Fan type	Radial		Fan _{type}
Category / Installation situation	A		cat

ERP DATA (LOT 6)

Name	Value	Unit	Formula symbol
Nominal air flow rate, nominal point m ³ /s	0.59	m ³ /s	q _{v,nom}
Actual electrical input power, nominal point	0.41	kW	P _{e,nom}
Face velocity, nominal point	11.9	m/s	v _{nom}
Nominal external pressure, static	275	Pa	p _{s,nom}
supply air fan static efficiency, nominal point	53.4	%	η _{es,SUP}
Highest external air leakage rate	0.02	%	
Enclosure sound level, nominal point	72	dB(A)	L _{WA2}
Rating	Product is compliant 2018		



zur Produktseite

MPS 250 E2 20

126646

ruck

MAXIMAL DATA

Name	Value	Unit	Formula symbol
Max. power consumption (device)	448	W	$P_{ed, max}$
Max. operating current (device)	3.25	A	$I_{ed, max}$
Max. speed	2940	1/min	n_{max}
Max. stat. efficiency	51.1	%	η_{es}
Max. fan efficiency	56.3	%	η_e
Max. flowrate	2490	m ³ /h	Q_v, max
Max. stat pressure	790	Pa	$p_{sf, max}$
Max. medium temperature	120	°C	T_m, max
Max. environment temperature	80	°C	$T_{amb, max}$
Min. environment temperature	-25	°C	$T_{amb, min}$
Min. voltage	110	V	U_{min}

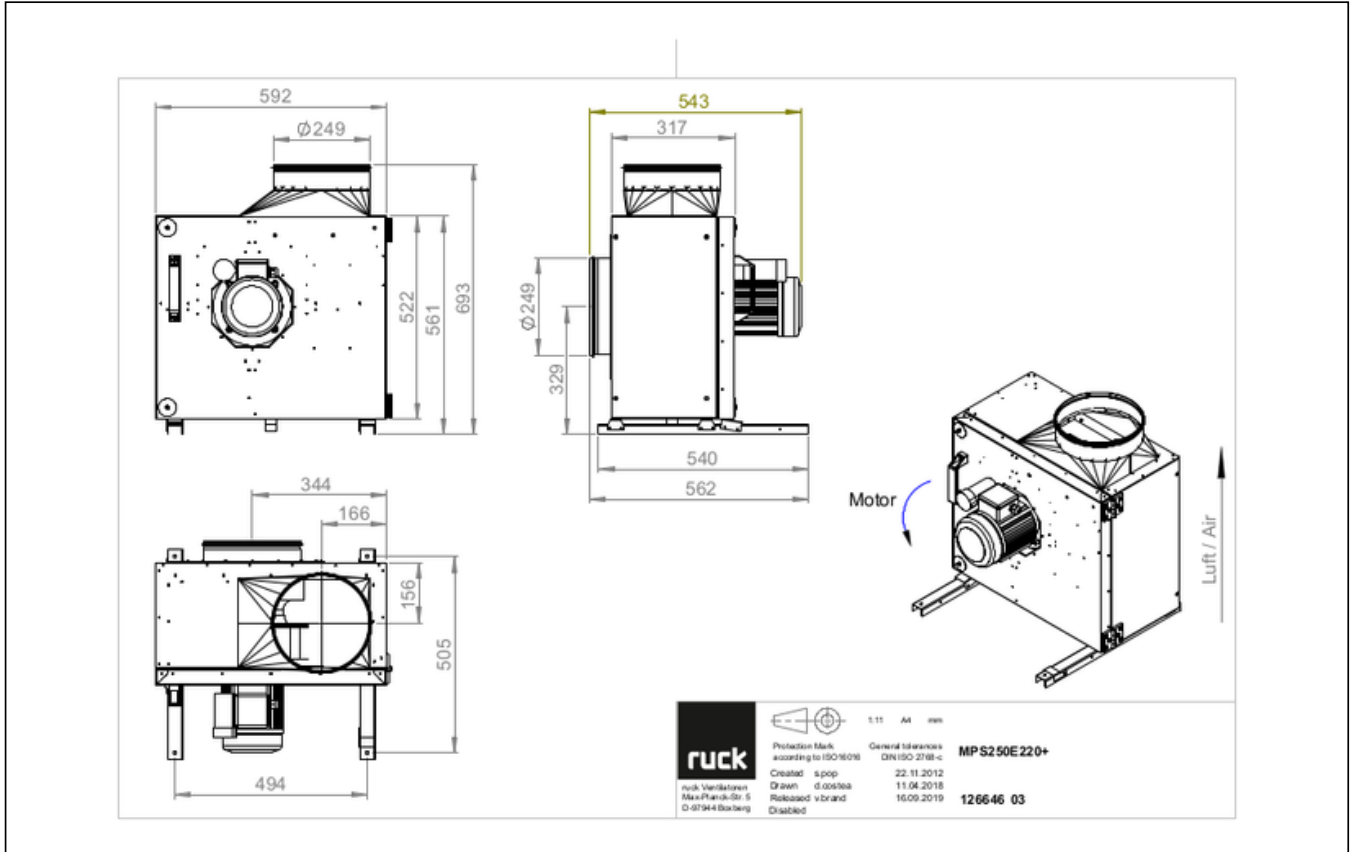
zur Produktseite



MPS 250 E2 20

126646

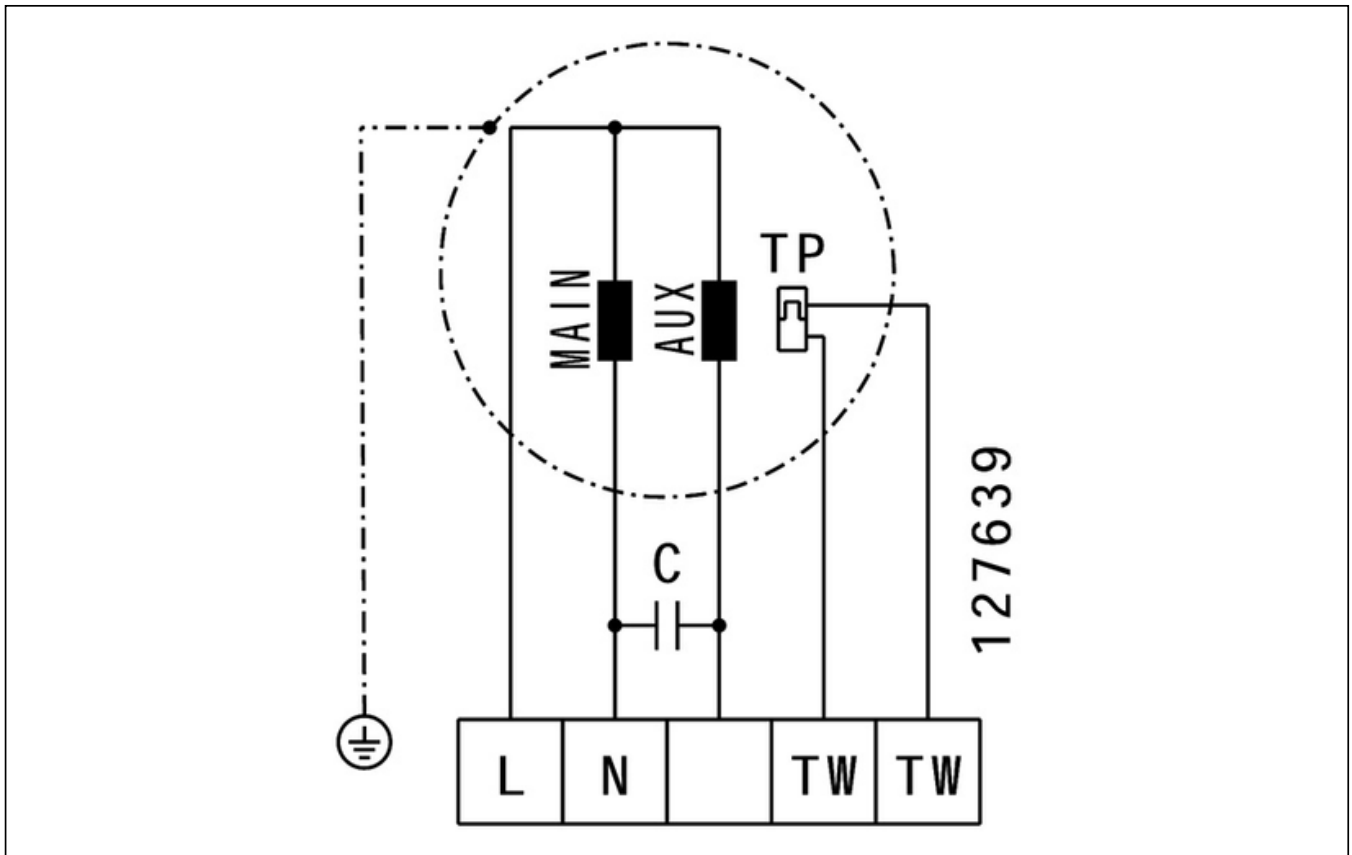
SCHALTPLÄNE / MASSZEICHNUNGEN



zur Produktseite

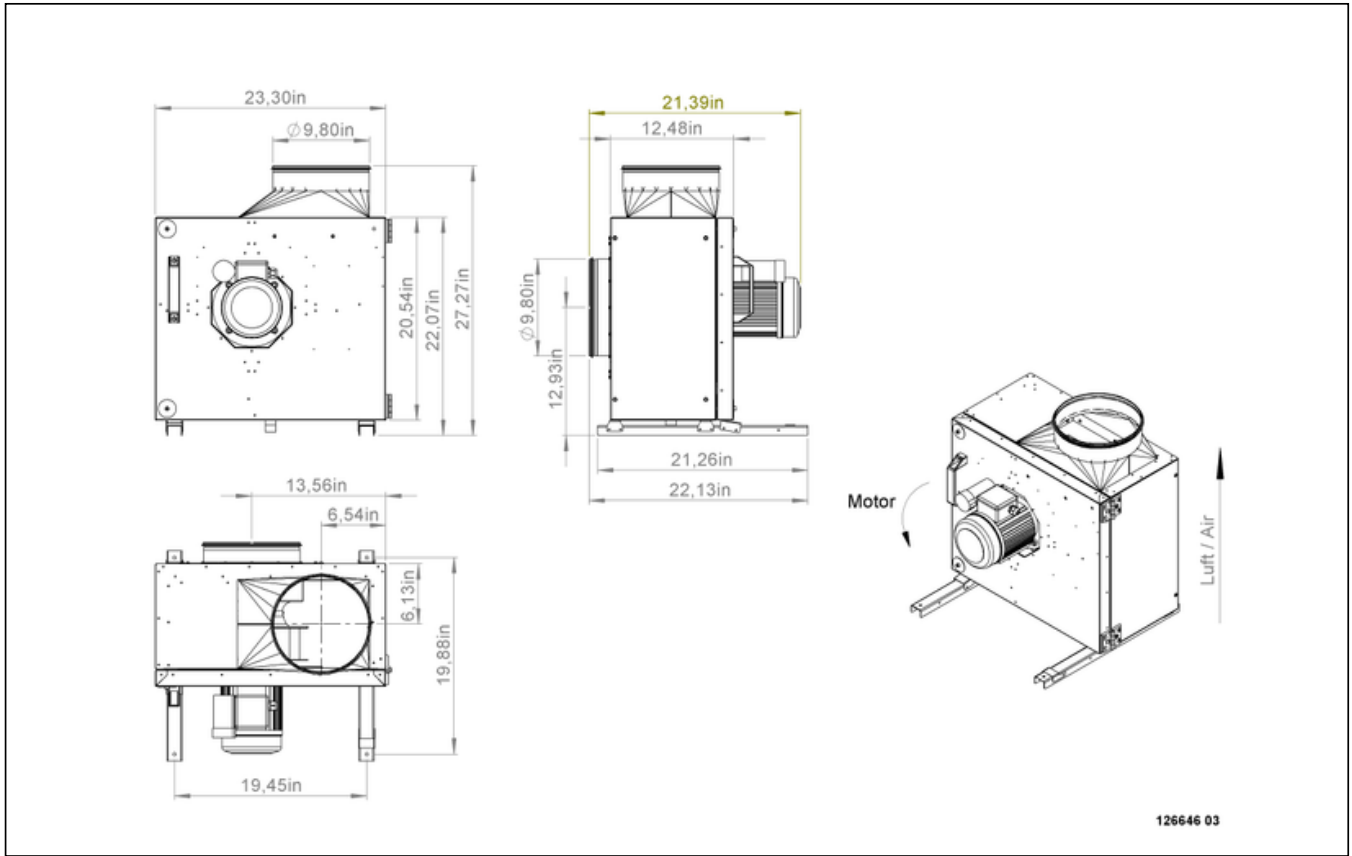
MPS 250 E2 20

126646



MPS 250 E2 20

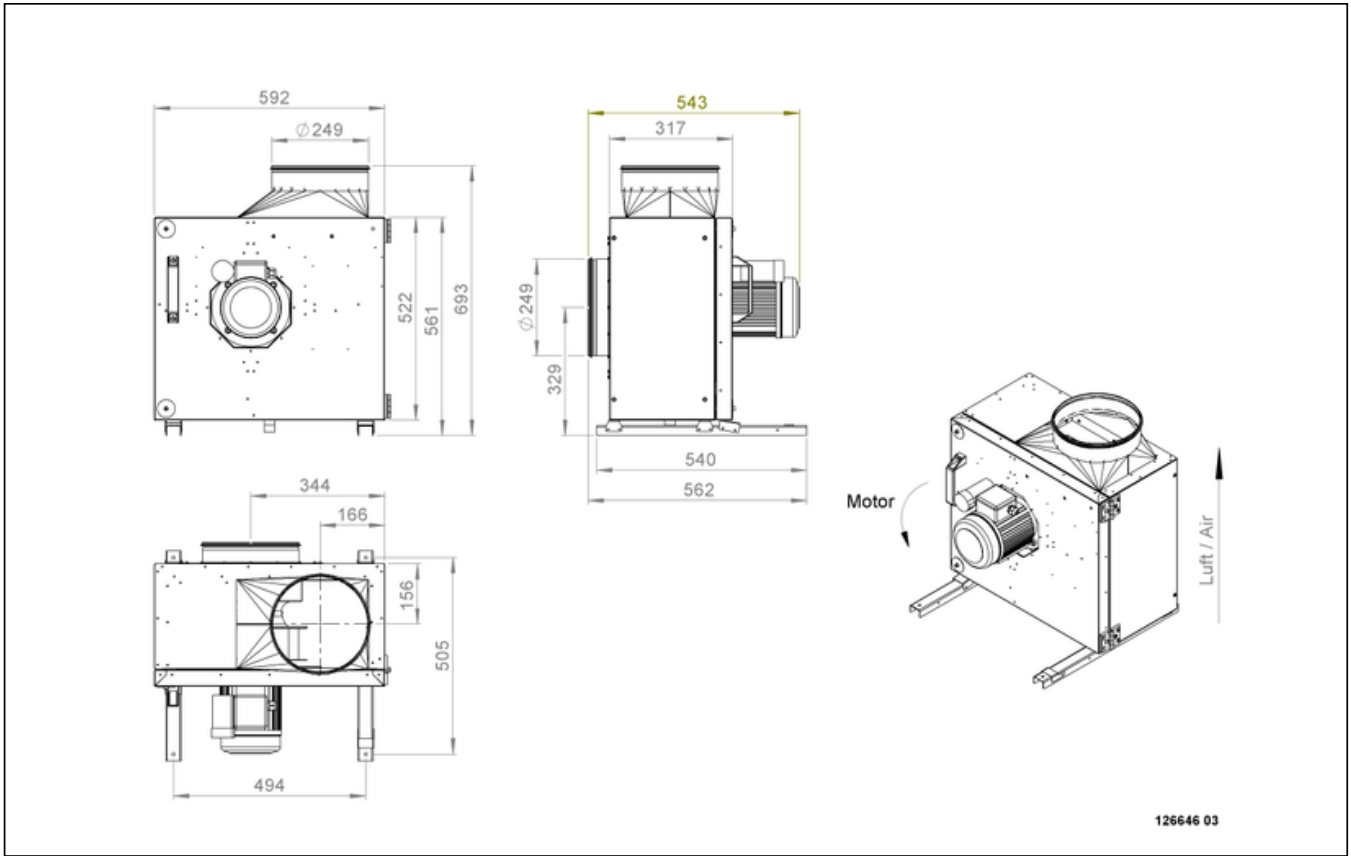
126646



zur Produktseite

MPS 250 E2 20

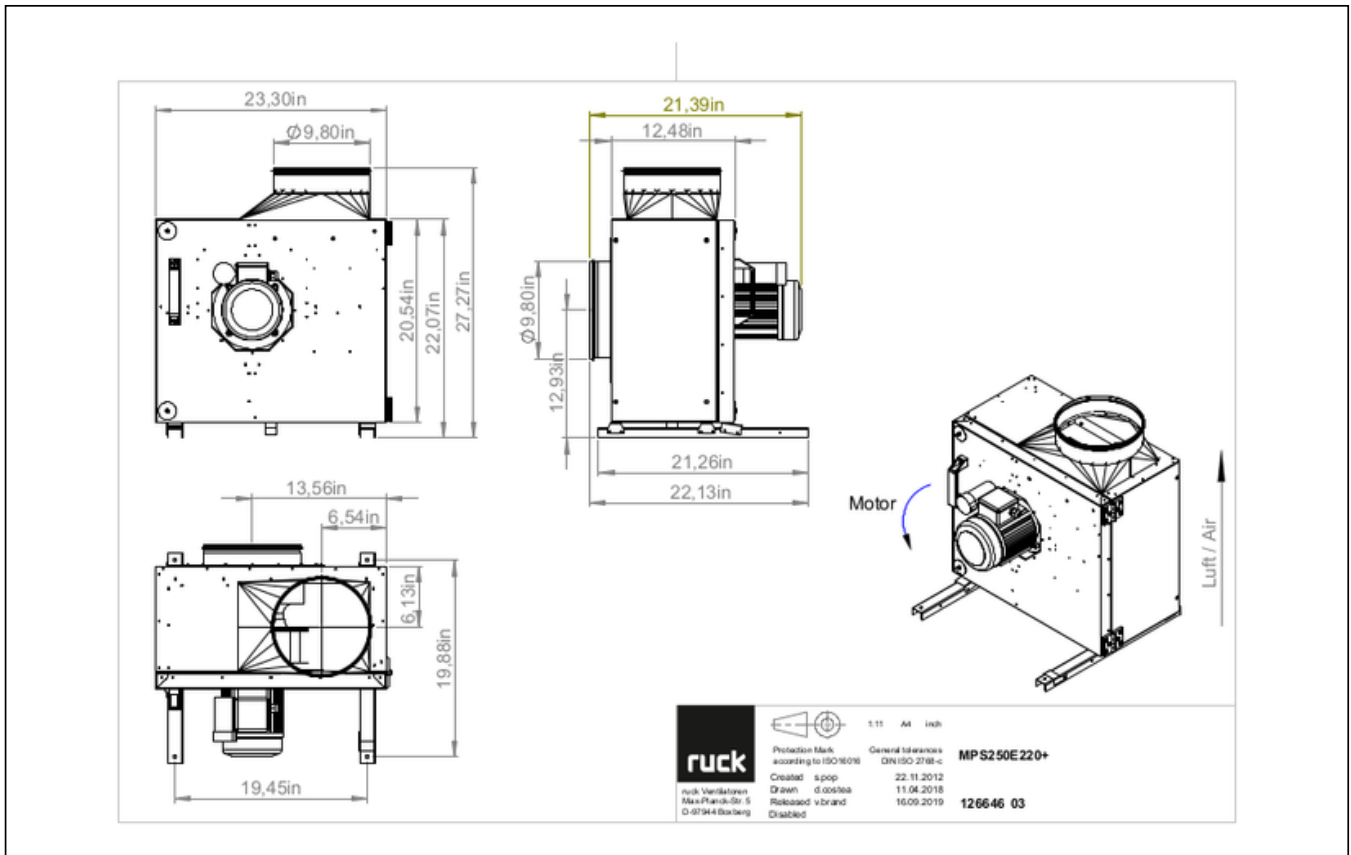
126646



zur Produktseite

MPS 250 E2 20

126646



MECHANICAL ACCESSORIES

RSK 250D | 113488



- Back draught shutter for tube fitting
- Galvanized steel sheet housing
- Aluminum flaps
- Integrated gasket

WK MPS 07 | 127953



- For wall mounting of a box fan
- Galvanized steel sheet
- 1 Pack = 2 pieces

VM 250 | 102651



- Fast clamps for sound decoupling and sealing
- Galvanized steel sheet, 5 mm
- Neopren gasket
- 1 Pack = 2 pieces

RSK 250 | 102686



- Back draught shutter for tube fitting
- Galvanized steel sheet housing
- Aluminum flaps

WSH MPS | 103661



- Weather protection hood for motor
- Galvanized steel sheet



zur Produktseite

MPS 250 E2 20

126646

ELECTRICAL ACCESSORIES

GS 01 | 102787



- Isolator switch
- $U_{max} = 400\text{ V}$, 50/60 Hz
- Switching capacity 400 V 3~ = 5,5 kW
- $I_{max} = 16\text{ A}$

TEM 035 | 103502



- 5-step transformer
- 230 V, 50/60 Hz, 3,5 A
- Output voltage: 230-190-170-140-110-80-0 V
- Protection class IP 54

TEM 035G | 111580



TES 035 02 | 146195



- 5-step transformer
- 230 V, 50/60 Hz, 3,5 A
- Without housing, control cabinet installation
- Protection class IP 20



zur Produktseite