

MPC 500 EC 40

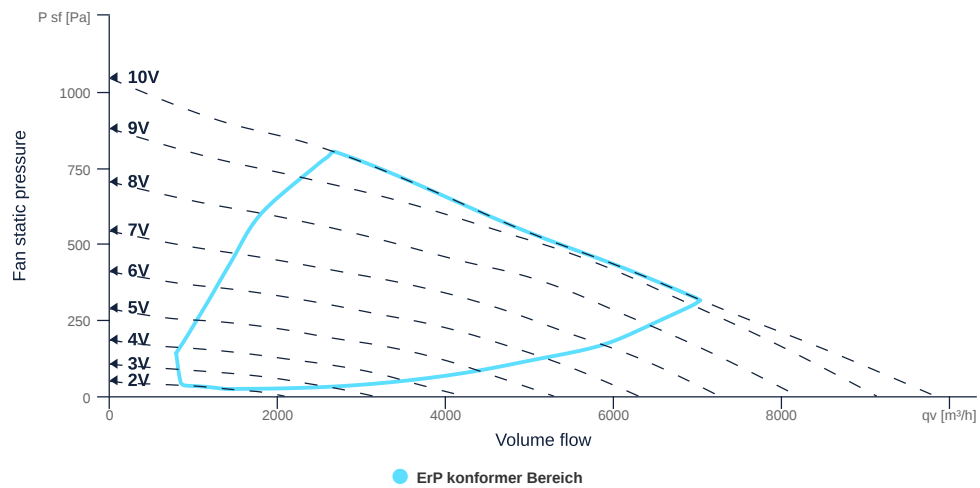
157916

- Radial fan with backward curved impeller
- Variable discharge direction right / left / linear
- Double wall housing made of galvanized steel sheet, insulated
- Highly efficient EC motor, steplessly controllable
- Internal electronic temperature monitoring
- With bottom tray



MAP

Name	Value	Unit
Volume flow	0	m³/h
Pressure	0	Pa



zur Produktseite

MPC 500 EC 40

157916

ruck

GENERAL DATA

Name	Value	Unit	Formula symbol
ERP conformity	Yes		
Certifications	CE, UKCA		
Duct size	-		WxH _{duct}
Pipe connection size (DN)	DN500		DN
Rated voltage (entire device)	400	V	U _{rated}
Phases (entire device)	3~		phase
Electrical protection (entire device)	6 A		fuse
Housing material	Galvanized steel		mat _{casing}
Impeller material	Steel		mat _{impeller}
Weight	56.6	kg	m
Nominal air flow rate, nominal point m ³ /h	4878	m ³ /h	q _{v,nom}
Nominal external pressure, static	515	Pa	p _{s,nom}
Fan type	Radial		Fan _{type}
Category / Installation situation	A		cat

ERP DATA (LOT 6)

Name	Value	Unit	Formula symbol
Nominal air flow rate, nominal point m ³ /s	1.36	m ³ /s	q _{v,nom}
Actual electrical input power, nominal point	1.23	kW	Pe <sub,nom< sub=""></sub,nom<>
Face velocity, nominal point	2.3	m/s	v _{nom}
Nominal external pressure, static	515	Pa	p _{s,nom}
supply air fan static efficiency, nominal point	65.8	%	η _{es,SUP}
Highest external air leakage rate	0.4	%	
Enclosure sound level, nominal point	68	dB(A)	LWA ₂
Rating	Product is compliant 2018		

zur Produktseite



MPC 500 EC 40

157916

ruck

MAXIMAL DATA

Name	Value		Unit	Formula symbol
	50 Hz	60 Hz		
Max. power consumption (device)	1343	1343	W	$P_{ed, max}$
Max. operating current (device)	2.1	2.1	A	$I_{ed, max}$
Max. speed	1600	1600	1/min	n_{max}
Max. stat. efficiency	53	53	%	η_{es}
Max. fan efficiency	54.6	54.6	%	η_e
Max. flowrate	9830	9830	m ³ /h	$Q_{v, max}$
Max. stat pressure	1040	1040	Pa	$p_{sf, max}$
Max. medium temperature	50	50	°C	$T_{m, max}$
Max. environment temperature	50	50	°C	$T_{amb, max}$
Min. environment temperature	-25	-25	°C	$T_{amb, min}$

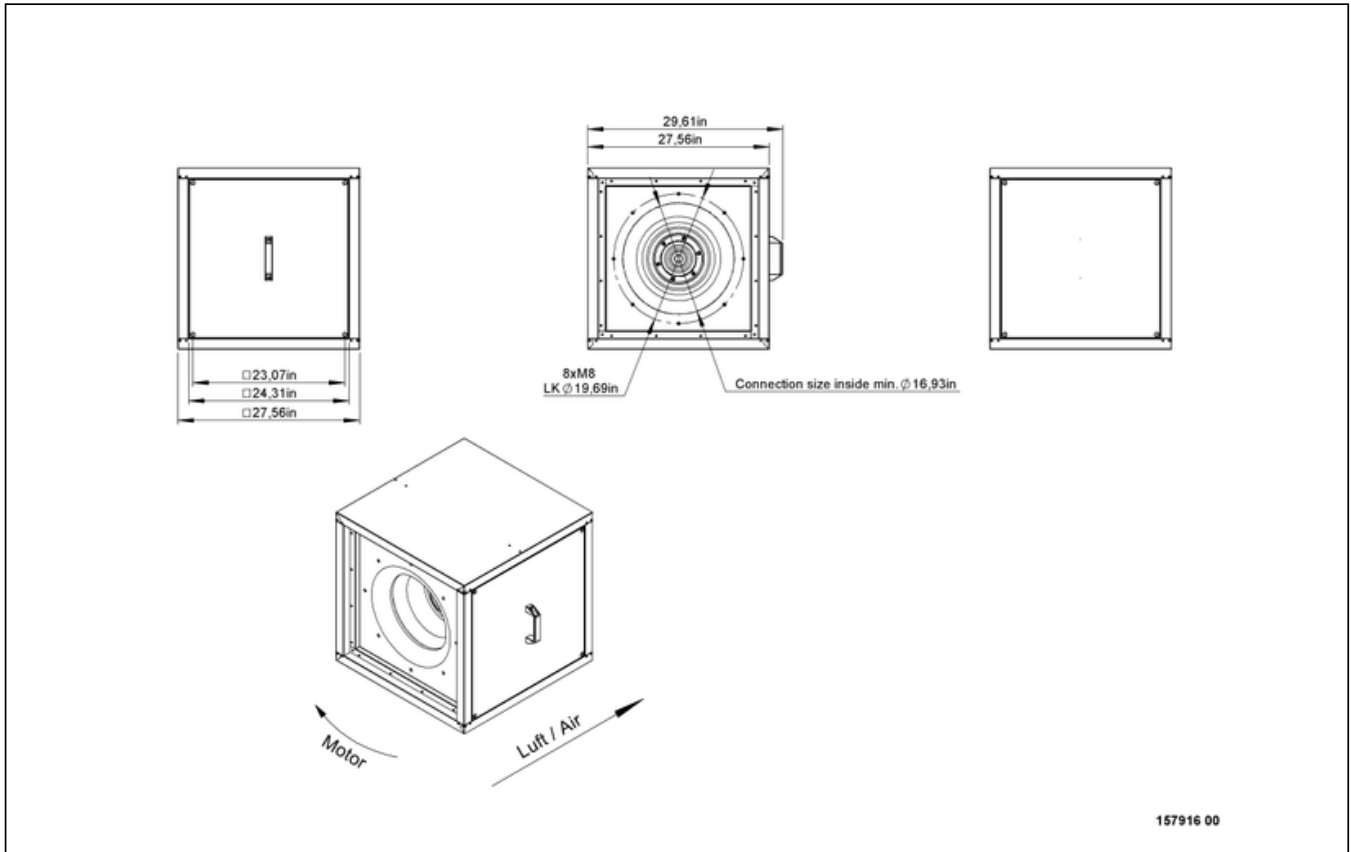
zur Produktseite



MPC 500 EC 40

157916

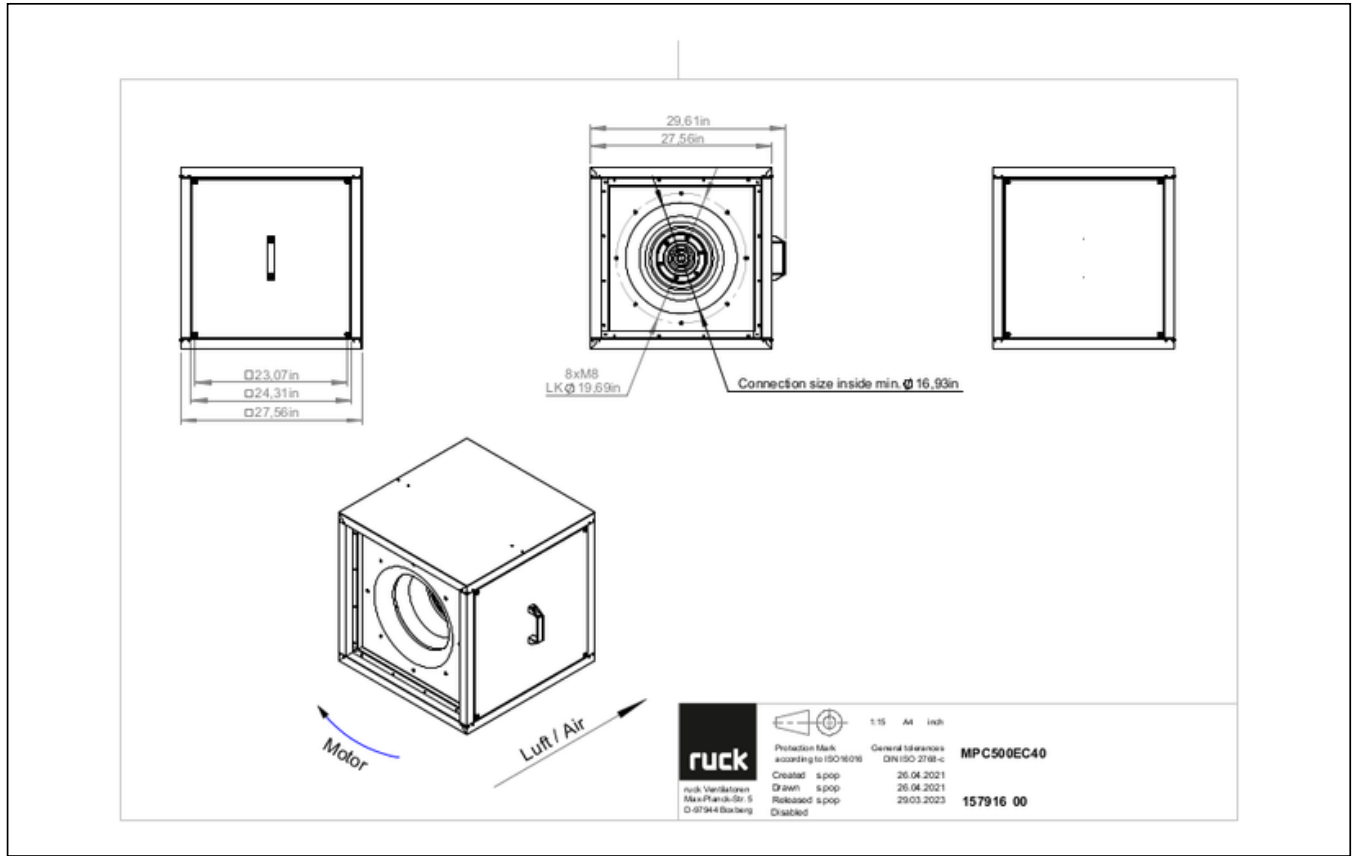
SCHALTPLÄNE / MASSZEICHNUNGEN



zur Produktseite

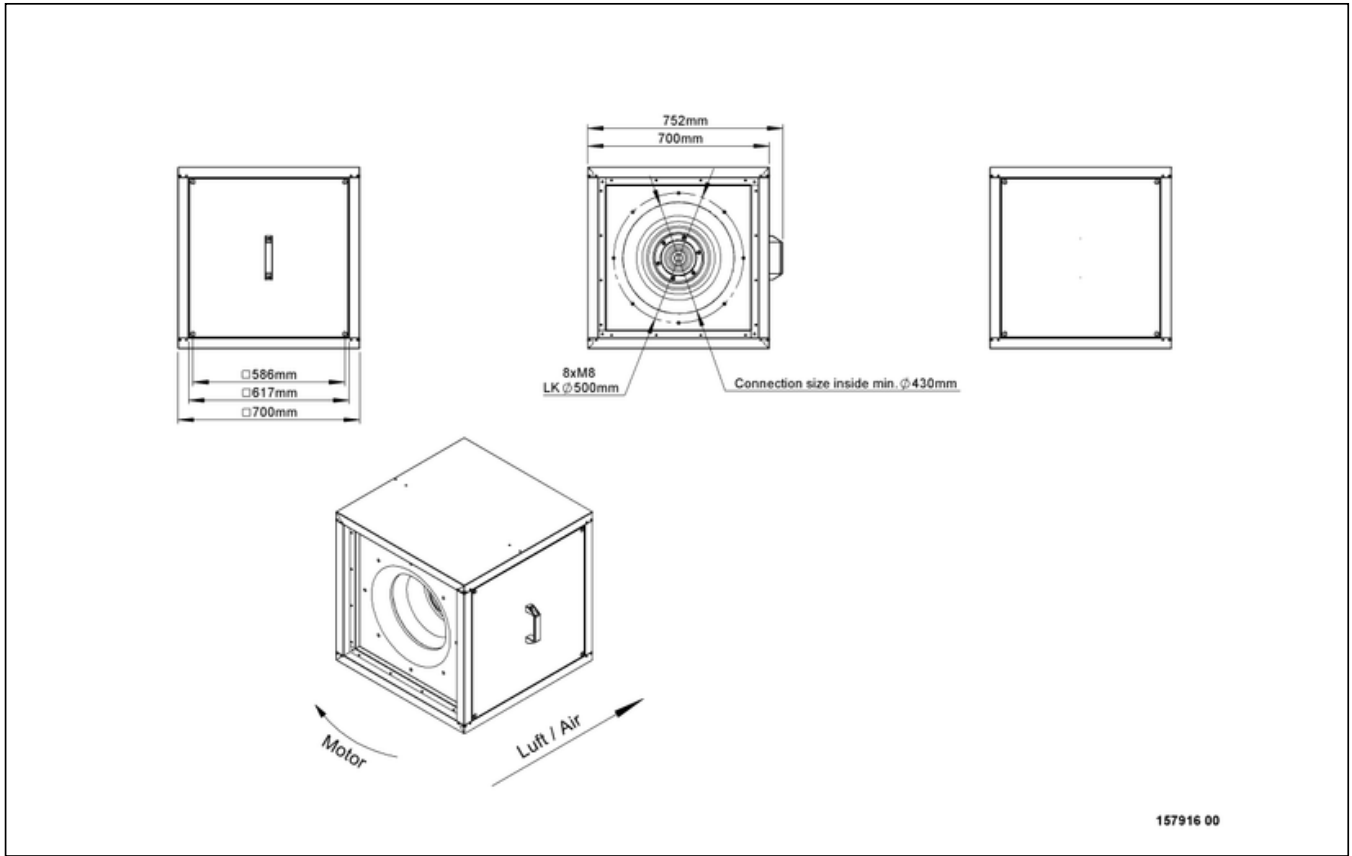
MPC 500 EC 40

157916



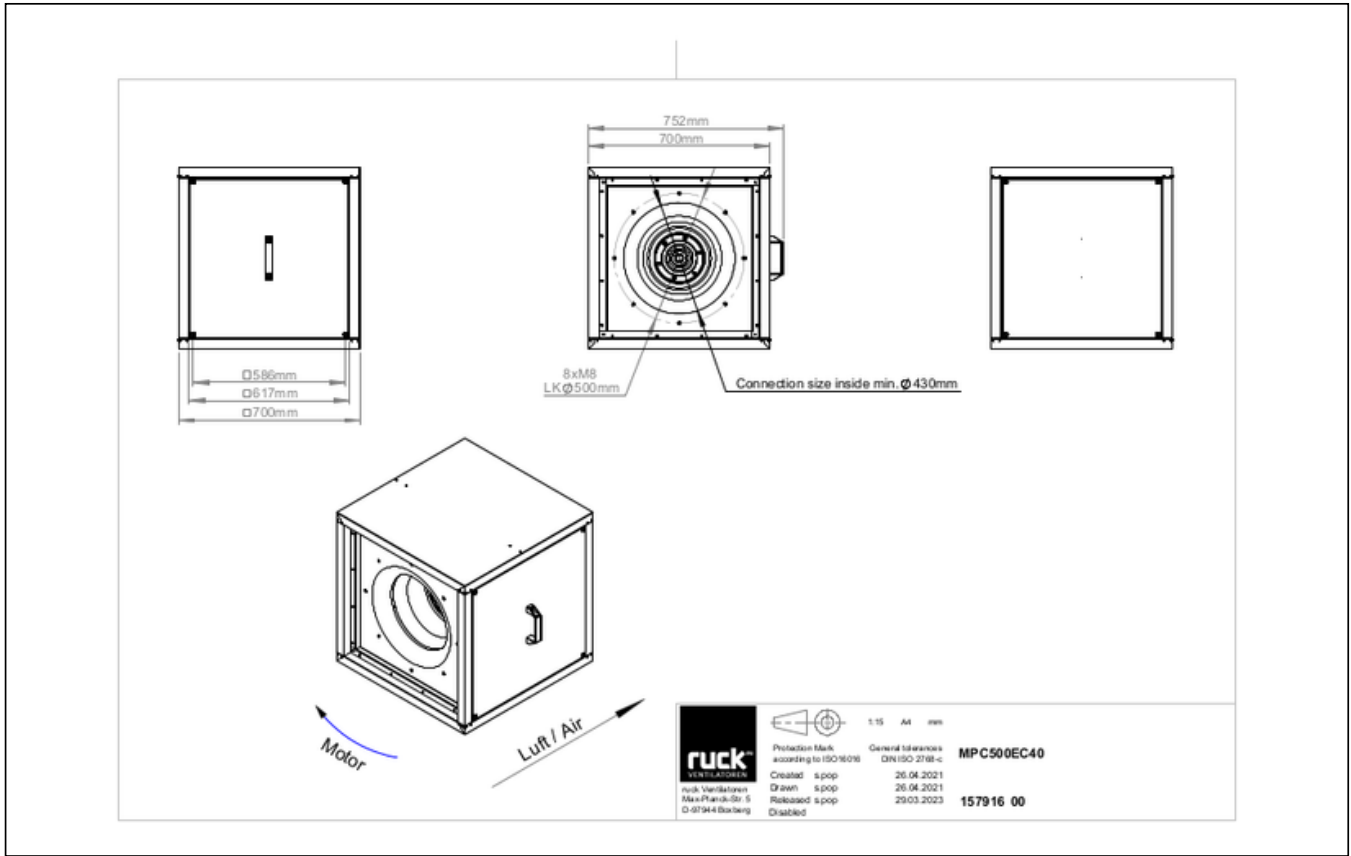
MPC 500 EC 40

157916



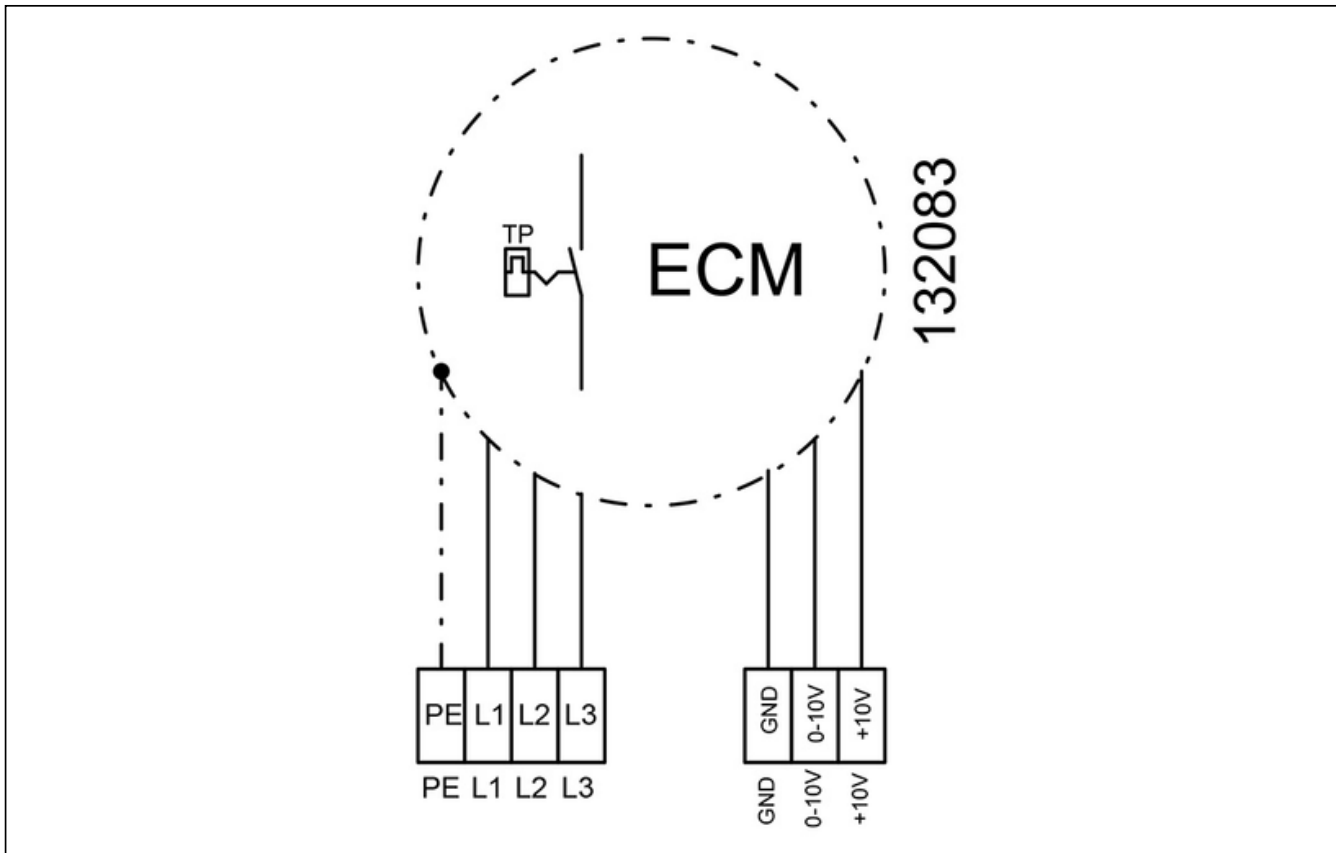
MPC 500 EC 40

157916



MPC 500 EC 40

157916

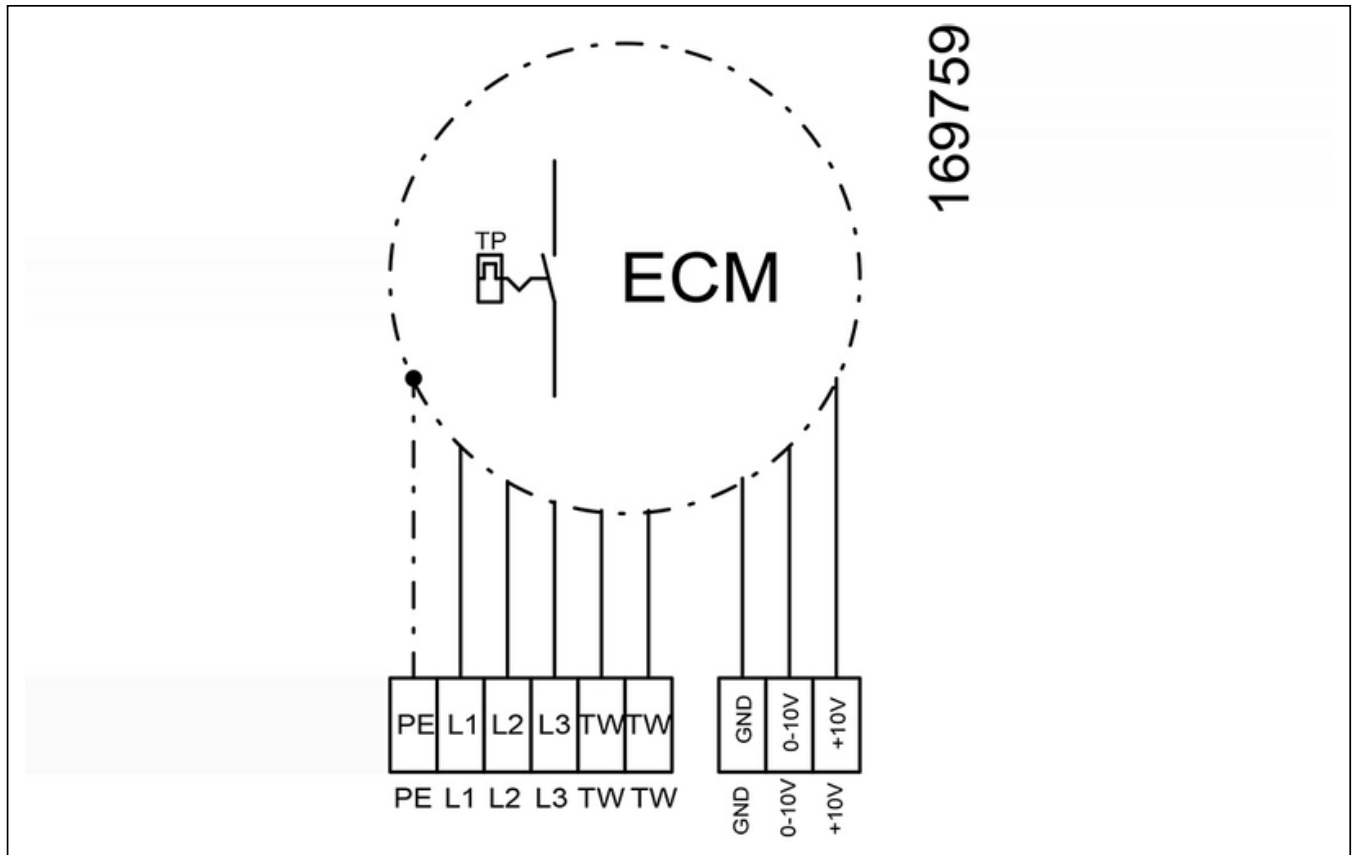


zur Produktseite



MPC 500 EC 40

157916



MPC 500 EC 40

157916

MECHANICAL ACCESSORIES

FB 700 | 160866



- Air filter box for panel filter
- For MPC box 700
- For 1 or 2 filter (not included)
- Housing made of galvanized sheet steel

USM 700 400 | 107214



- Transition spigot
- Galvanized steel sheet
- Insulated

USM 700 450 | 107240



- Transition spigot
- Galvanized steel sheet
- Insulated

USM 700 500 | 107241



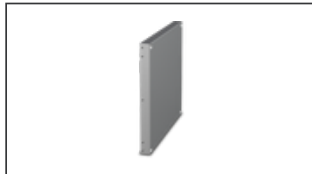
- Transition spigot
- Galvanized steel sheet
- Insulated

GR MPC 02 | 123432



- Base frame für MPC
- Galvanized steel sheet

UCP 700 | 142568



- Closed panel
- Galvanized steel sheet

RVK 450 | 153895



- Automatic tube shutter
- Sheet steel, powder coated
- For vertical installation
- Flange mounting

RVK H 450 | 154743



- Automatic tube shutter
- Sheet steel, powder coated
- For horizontal installation
- Flange mounting

UQR 700 400 01 | 139863



- Transition duct/tube
- Galvanized steel sheet
- Incl. 4 cylinder cap screws (M8 x 16 mm), 4 serrated lock washers for nominal size M8

UQR 700 450 01 | 139868



- Transition duct/tube
- Galvanized steel sheet
- Incl. 4 cylinder cap screws (M8 x 16 mm), 4 serrated lock washers for nominal size M8

UQR 700 500 01 | 139871



- Transition duct/tube
- Galvanized steel sheet
- Incl. 4 cylinder cap screws (M8 x 16 mm), 4 serrated lock washers for nominal size M8

VM 400 | 102654



- Fast clamps for sound decoupling and sealing
- Galvanized steel sheet, 5 mm
- Neopren gasket
- 1 Pack = 2 pieces

VM 500 | 118094



- Fast clamps for sound decoupling and sealing
- Galvanized steel sheet, 5 mm
- Neopren gasket
- 1 Pack = 2 pieces

VM 450 | 119495



- Fast clamps for sound decoupling and sealing
- Galvanized steel sheet, 5 mm
- Neopren gasket
- 1 Pack = 2 pieces

AS MPC 450 | 140852



- Inlet spigot
- Galvanized steel sheet

AS MPC 500 | 140871



- Inlet spigot
- Galvanized steel sheet

RAF 450 | 154020

RVS 450 | 154189

ESD 450 | 153957

SGW 450 | 154051



zur Produktseite

MPC 500 EC 40

157916



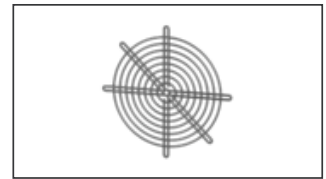
- Round flange
- Sheet steel, powder coated



- Tube connection spigot
- Sheet steel, powder coated
- Suitable for outdoor installation
- Flange mounting

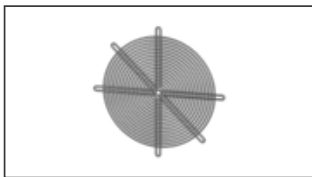


- Inlet cone
- Steel sheet, powder coated
- Flange mounting



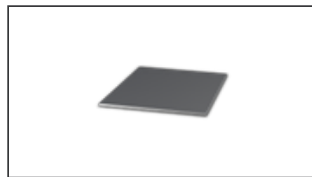
- Protection grille, wide meshed
- Steel sheet, galvanized
- Flange mounting

SGE 450 | 154075



- Protection grille, narrow meshed
- Steel sheet, galvanized
- Flange mounting

RD MPC 700 | 140093



- Rain cover for outdoor installation
- Galvanized steel sheet

WSH MPC 02 | 123433



- Weather protection hood
- Galvanized steel sheet

WSG MPC 700 | 140748



- Weather protection grille
- Galvanized steel sheet

RAS 450 | 154249



- Round spigot, flexible
- Galvanized steel sheet, plastic band (PES)
- Temperature resistant up to 75 °C
- Flange mounting



zur Produktseite

MPC 500 EC 40

157916

ELECTRICAL ACCESSORIES

GS 03 | 107633



- Device switch
- $U_{max} = 400\text{ V}$, $I_{max} = 25\text{ A}$
- Switching capacity $400\text{ V } 3\text{-} = 5,5\text{ kW}$
- Protection class IP 55

MTP 20 | 128146



- Potentiometer $10\text{ k}\Omega$
- Switching contact $1\text{A}/250\text{V AC}$ - $2,5\text{A}/12\text{V DC}$
- Max. ambient temperature $50\text{ }^\circ\text{C}$
- VDE

MTP 30 | 143289



- Stepped potentiometer $10\text{ k}\Omega$
- Step 1 + 2 settable $10\% - 100\% \text{ Vdc}$
- Step 3 $100\% \text{ Vdc}$
- Supply voltage $+10\text{ Vdc}$

MTP 40 | 147359



- Potentiometer $10\text{ k}\Omega$
- Connection in terminal box
- Max. ambient temperature $50\text{ }^\circ\text{C}$
- PU: 20 pieces

SEN AIR | 148641



- Airflow and temperature transducer
- Measuring range temperature $0...+50\text{ }^\circ\text{C}$
- With adjustable switching threshold (air speed)
- Measuring range air velocity up to 20 m/s

CON P1000 | 115259



- Constant pressure control
- Actual value display possible via optional control unit
- Output $0-10\text{ V DC}$ + FC enable + setpoint reached
- Pressure setting by means of decade switch

MTP 50 | 153133



- Potentiometer with multifunction output
- $230\text{ VAC } \pm 10\% / 50-60\text{ Hz}$
- Selectable output: $1-10\text{ VDC} / 2-20\text{ mA}$ / $10-100\% \text{ PWM}$
- Min. and max. output value adjustable



zur Produktseite