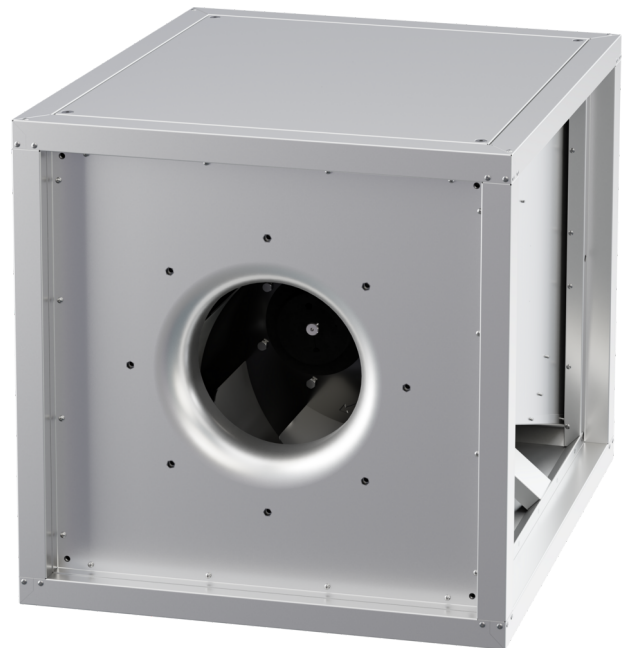


MPC 500 E4 T22

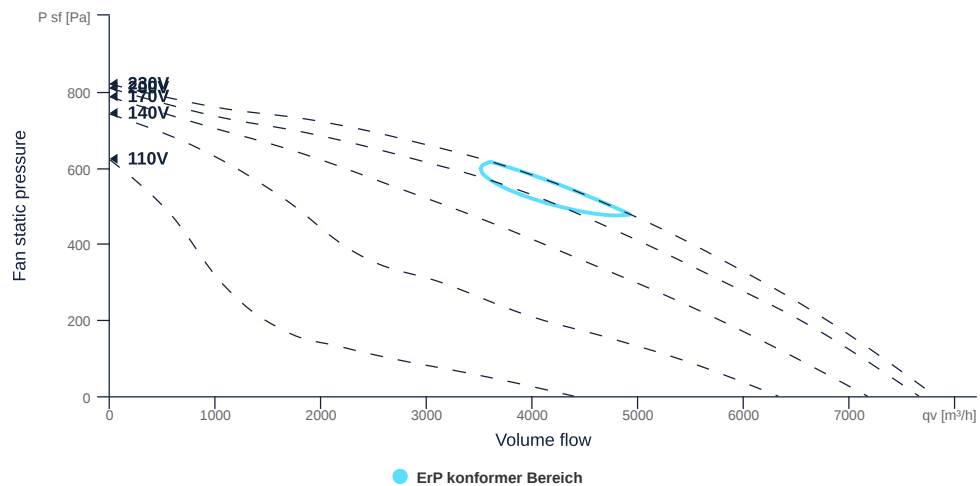
141186

- Backward curved radial impeller
- Removable side walls, variable discharge direction
- Sheet steel housing double-walled, 30 mm mineral wool
- AC motor outside the airflow, controllable
- Conveyed medium temperature up to 80 °C in continuous operation
- Housing bottom designed with integrated drain



MAP

Name	Value	Unit
Volume flow	0	m³/h
Pressure	0	Pa



zur Produktseite

MPC 500 E4 T22

141186

ruck

GENERAL DATA

Name	Value	Unit	Formula symbol
ERP conformity	Yes		
Certifications	none		
Duct size	-		WxH _{duct}
Pipe connection size (DN)	DN500		DN
Rated voltage (entire device)	230	V	U _{rated}
Phases (entire device)	1~		phase
Electrical protection (entire device)	10 A		fuse
Housing material	Galvanized steel		mat _{casing}
Impeller material	Steel		mat _{impeller}
Weight	81	kg	m
Nominal air flow rate, nominal point m ³ /h	4312.8	m ³ /h	q _{v,nom}
Nominal external pressure, static	550	Pa	p _{s,nom}
Fan type	Radial		Fan _{type}
Category / Installation situation	A		cat

ERP DATA (LOT 6)

Name	Value	Unit	Formula symbol
Nominal air flow rate, nominal point m ³ /s	1.2	m ³ /s	q _{v,nom}
Actual electrical input power, nominal point	1.39	kW	Pe <sub,nom< sub=""></sub,nom<>
Face velocity, nominal point	3.1	m/s	v _{nom}
Nominal external pressure, static	550	Pa	p _{s,nom}
supply air fan static efficiency, nominal point	54.3	%	η _{es,SUP}
Highest external air leakage rate	0.19	%	
Enclosure sound level, nominal point	77	dB(A)	LWA ₂
Rating	Product is compliant 2018		



zur Produktseite

MPC 500 E4 T22

141186

ruck

MAXIMAL DATA

Name	Value	Unit	Formula symbol
Max. power consumption (device)	1429	W	$P_{ed, max}$
Max. operating current (device)	7.93	A	$I_{ed, max}$
Max. speed	1460	1/min	n_{max}
Max. stat. efficiency	45.5	%	η_{es}
Max. fan efficiency	46	%	η_e
Max. flowrate	7800	m ³ /h	$Q_{v, max}$
Max. stat pressure	815	Pa	$p_{sf, max}$
Max. medium temperature	80	°C	$T_{m, max}$
Max. environment temperature	40	°C	$T_{amb, max}$
Min. environment temperature	-25	°C	$T_{amb, min}$
Min. voltage	110	V	U_{min}

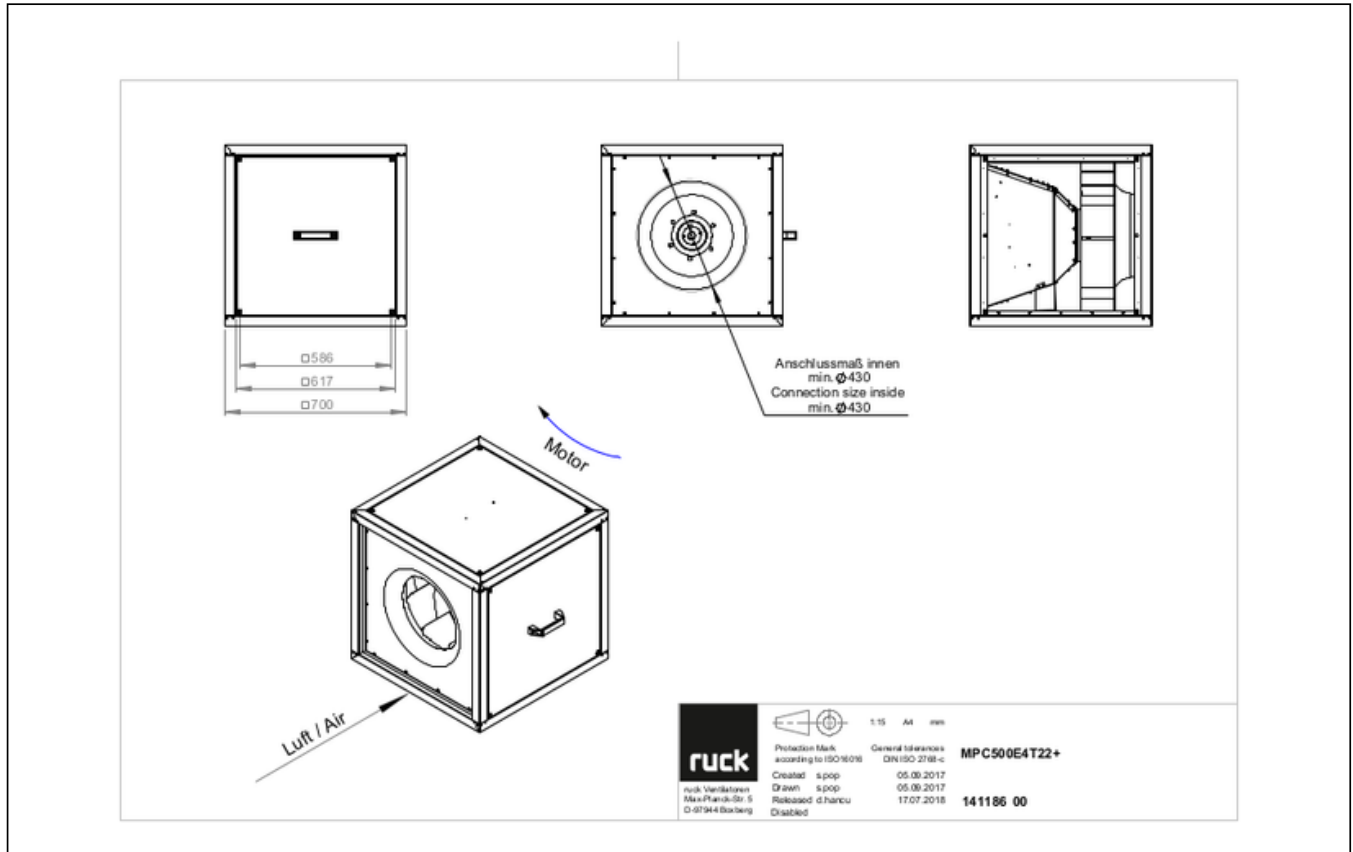


zur Produktseite

MPC 500 E4 T22

141186

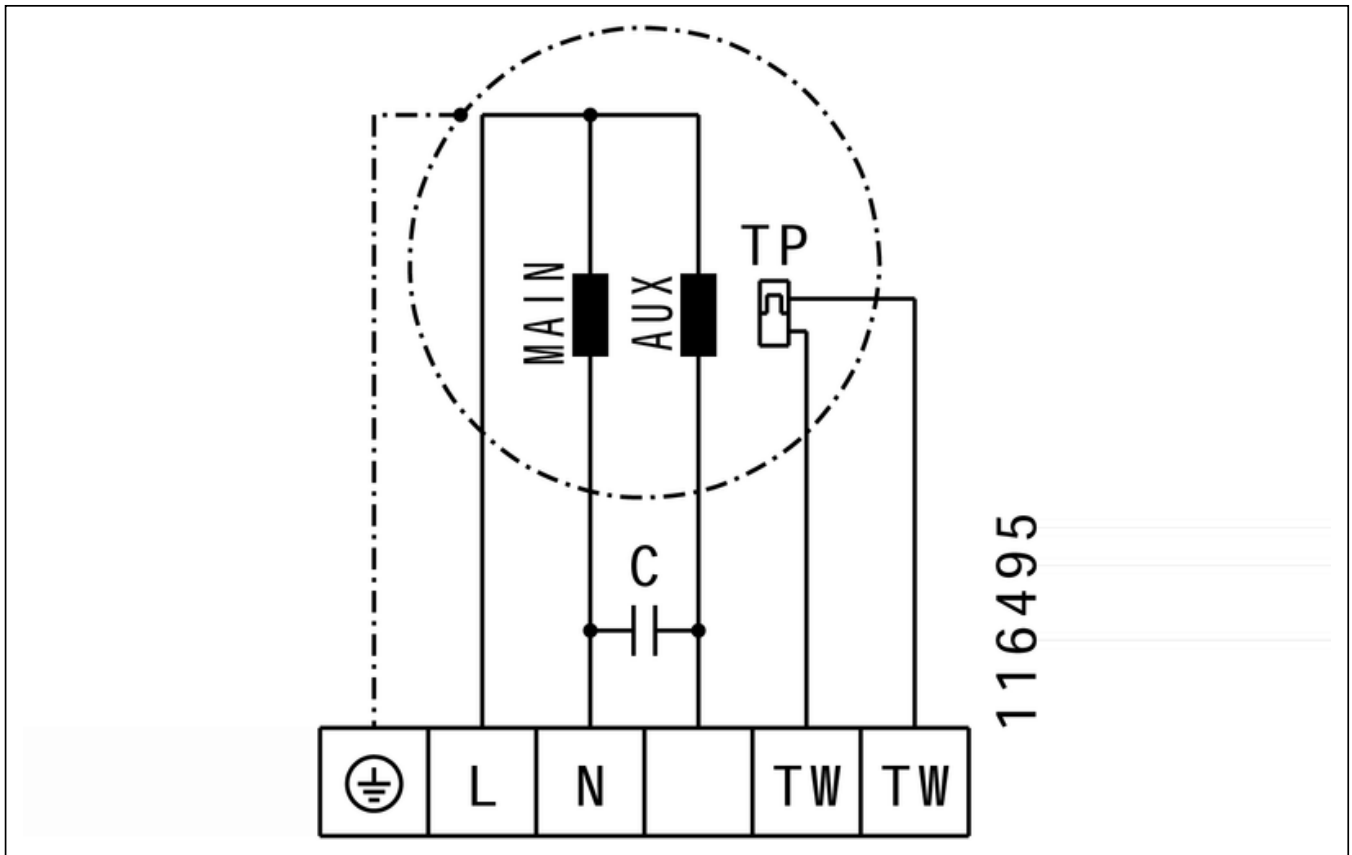
SCHALTPLÄNE / MASSZEICHNUNGEN



zur Produktseite

MPC 500 E4 T22

141186



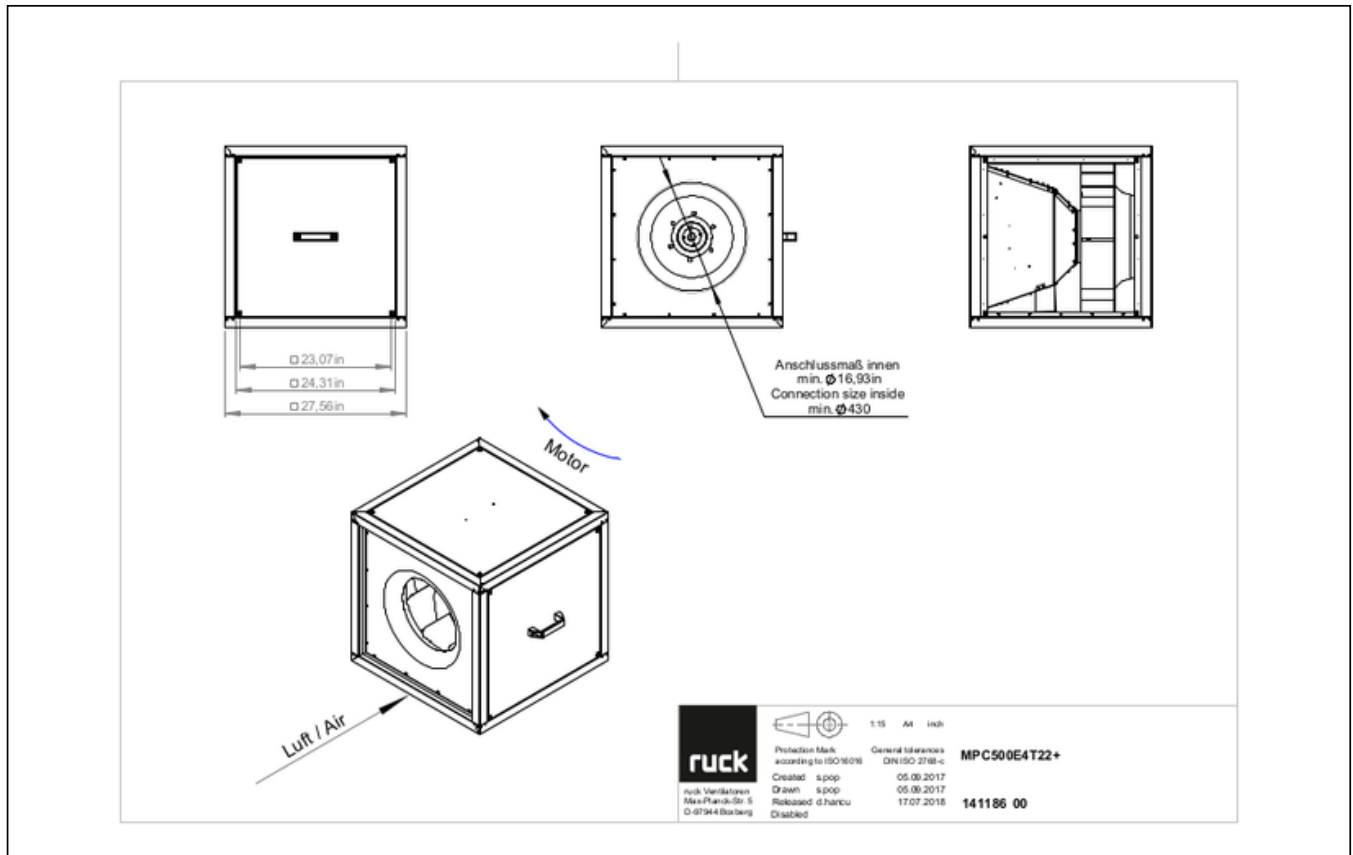
116495



zur Produktseite

MPC 500 E4 T22

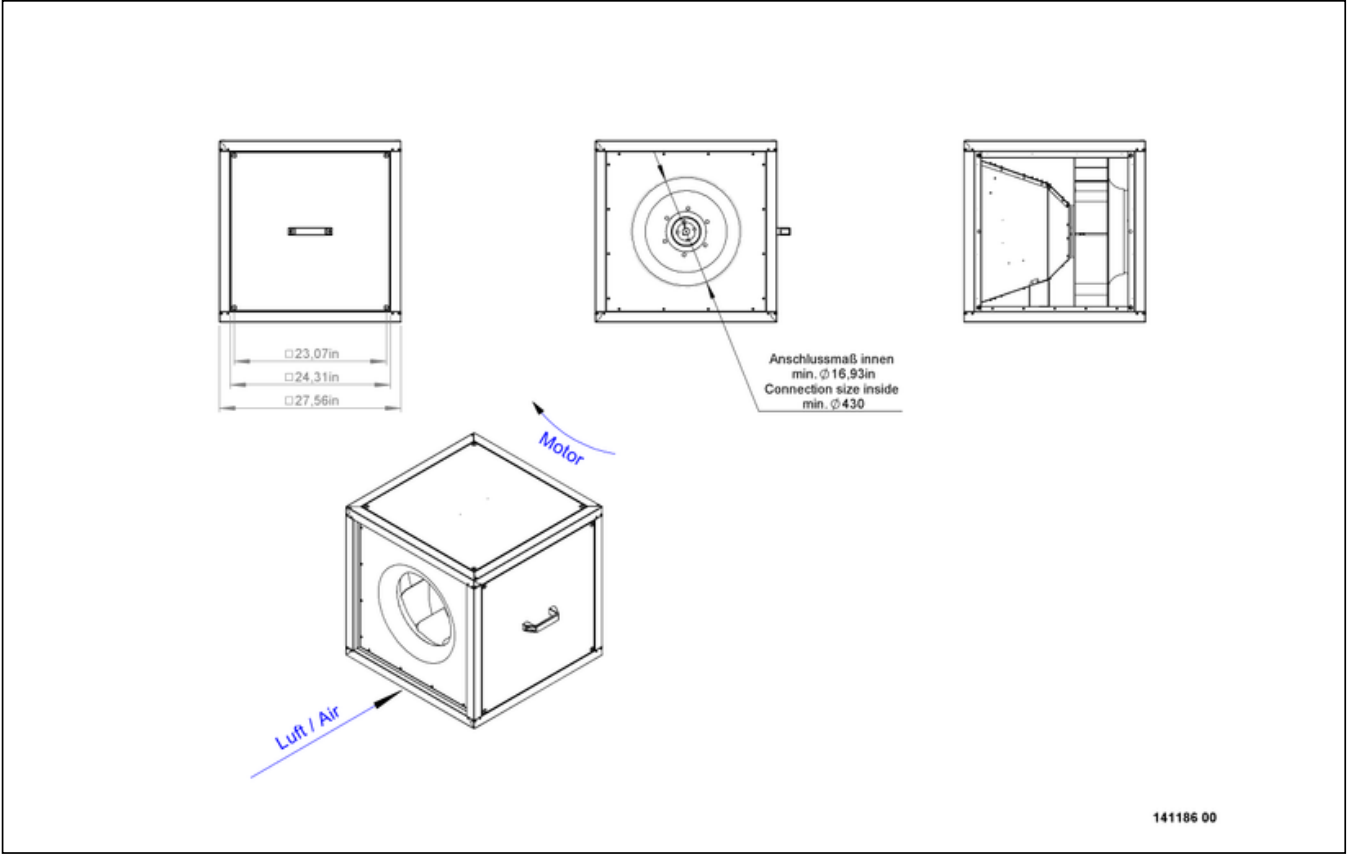
141186



zur Produktseite

MPC 500 E4 T22

141186



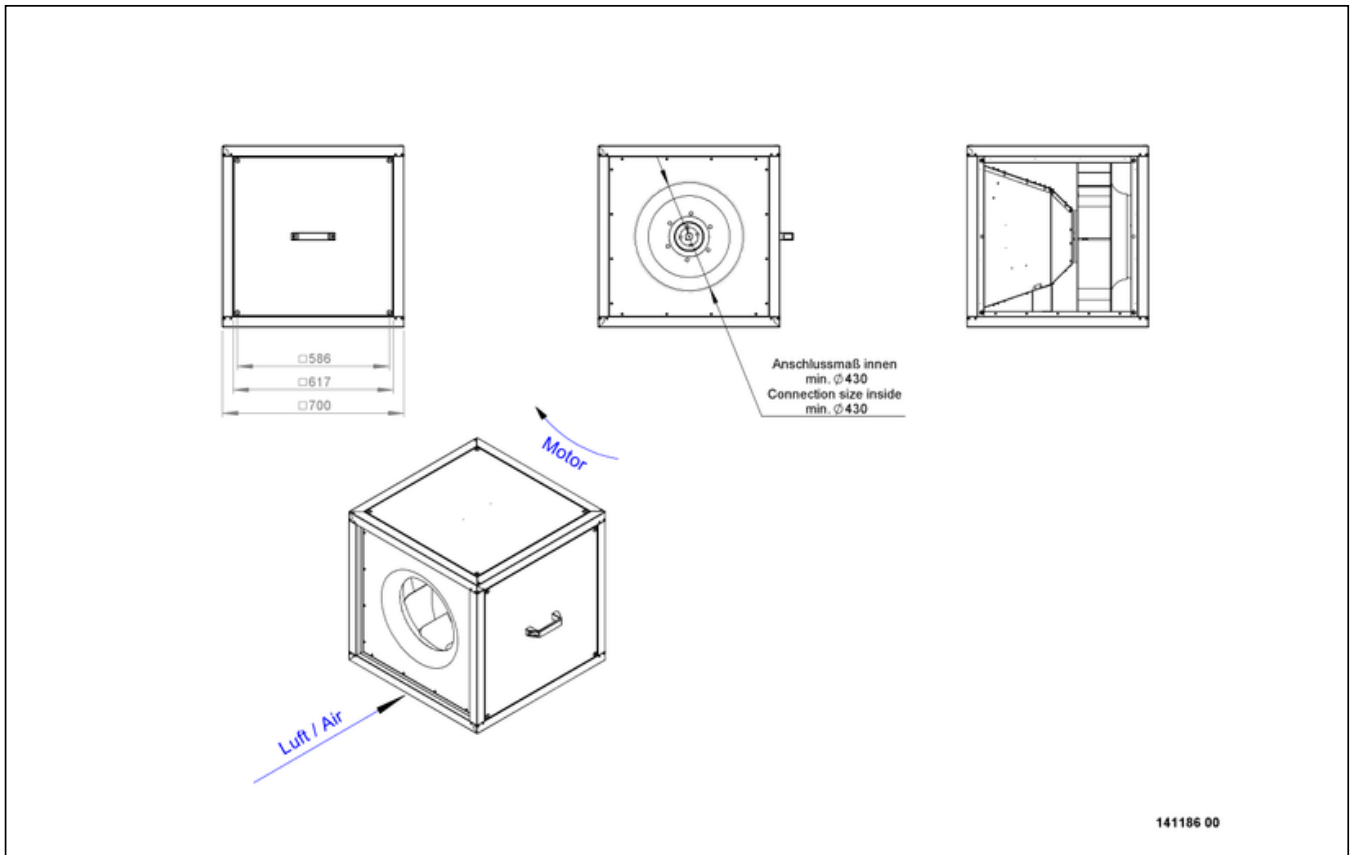
141186 00



zur Produktseite

MPC 500 E4 T22

141186



zur Produktseite

MPC 500 E4 T22

141186

MECHANICAL ACCESSORIES

FB 700 | 160866



- Air filter box for panel filter
- For MPC box 700
- For 1 or 2 filter (not included)
- Housing made of galvanized sheet steel

USM 700 400 | 107214



- Transition spigot
- Galvanized steel sheet
- Insulated

USM 700 450 | 107240



- Transition spigot
- Galvanized steel sheet
- Insulated

USM 700 500 | 107241



- Transition spigot
- Galvanized steel sheet
- Insulated

MB MPC 02 | 116410



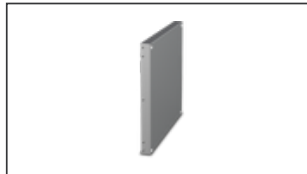
- Motor protection shield
- Sendzimir galvanized sheet

GR MPC 02 | 123432



- Base frame für MPC
- Galvanized steel sheet

UCP 700 | 142568



- Closed panel
- Galvanized steel sheet

UQR 700 400 01 | 139863



- Transition duct/tube
- Galvanized steel sheet
- Incl. 4 cylinder cap screws (M8 x 16 mm), 4 serrated lock washers for nominal size M8

UQR 700 450 01 | 139868



- Transition duct/tube
- Galvanized steel sheet
- Incl. 4 cylinder cap screws (M8 x 16 mm), 4 serrated lock washers for nominal size M8

UQR 700 500 01 | 139871



- Transition duct/tube
- Galvanized steel sheet
- Incl. 4 cylinder cap screws (M8 x 16 mm), 4 serrated lock washers for nominal size M8

VM 500 | 118094



- Fast clamps for sound decoupling and sealing
- Galvanized steel sheet, 5 mm
- Neopren gasket
- 1 Pack = 2 pieces

VM 450 | 119495



- Fast clamps for sound decoupling and sealing
- Galvanized steel sheet, 5 mm
- Neopren gasket
- 1 Pack = 2 pieces

AS MPC 450 | 140852



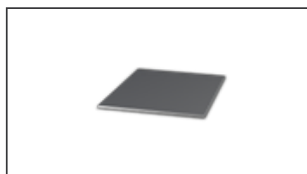
- Inlet spigot
- Galvanized steel sheet

AS MPC 500 | 140871



- Inlet spigot
- Galvanized steel sheet

RD MPC 700 | 140093



- Rain cover for outdoor installation
- Galvanized steel sheet

WSH MPC 02 | 123433



- Weather protection hood
- Galvanized steel sheet

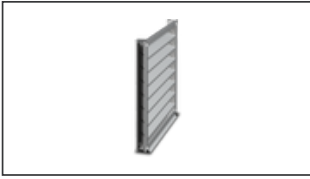
WSG MPC 700 | 140748



zur Produktseite

MPC 500 E4 T22

141186



- Weather protection grille
- Galvanized steel sheet

ELECTRICAL ACCESSORIES

GS 01 | 102787



- Isolator switch
- $U_{max} = 400\text{ V}$, 50/60 Hz
- Switching capacity 400 V 3~ = 5,5 kW
- $I_{max} = 16\text{ A}$

TEM 100 | 103511



- 5-step transformer
- 230 V, 50/60 Hz, 10 A
- Output voltage: 230-190-170-140-110-80-0 V
- Protection class IP 54

TEM 100G | 109069



- 5-step transformer
- 230 V ~, 50/60 Hz

TES 100 02 | 146198



- 5-step transformer
- 230 V, 50/60 Hz, 10 A
- Without housing, control cabinet installation
- Protection class IP 20



zur Produktseite