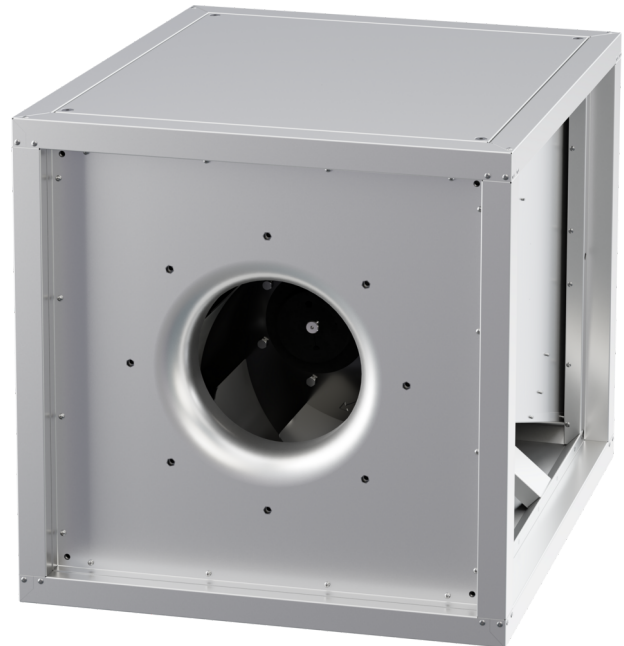


# MPC 450 D4 T40

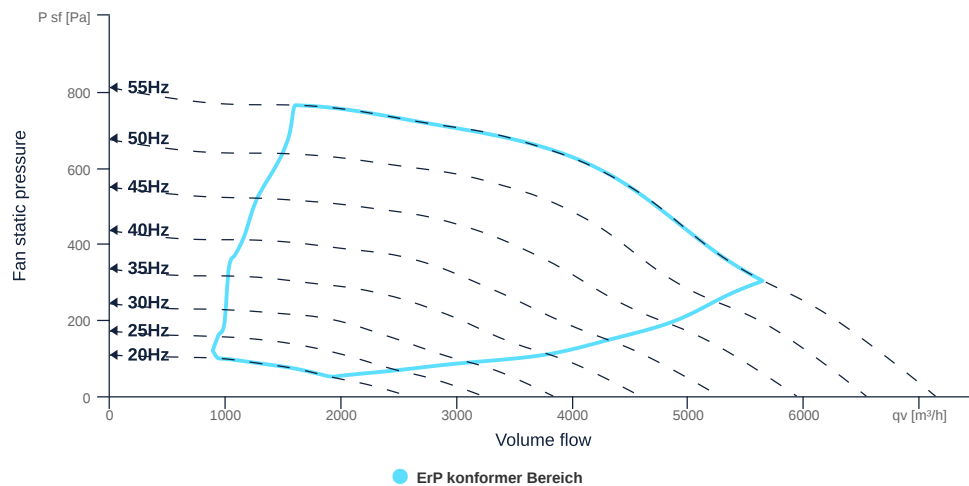
157232

- Backward curved radial impeller
- Removable side walls, variable discharge direction
- Sheet steel housing double-walled, 30 mm mineral wool
- IE3 motor outside the airflow, controllable
- Conveyed medium temperature up to 120 °C in continuous operation
- Housing bottom designed with integrated drain



## MAP

Name	Value	Unit
Volume flow	0	m³/h
Pressure	0	Pa



zur Produktseite

# MPC 450 D4 T40

157232

## GENERAL DATA

Name	Value	Unit	Formula symbol
ERP conformity	Yes		
Certifications	CE, UKCA		
Duct size	-		WxH <sub>duct</sub>
Pipe connection size (DN)	DN500		DN
Rated voltage (entire device)	400	V	U <sub>rated</sub>
Phases (entire device)	3~		phase
Electrical protection (entire device)	6 A		fuse
Housing material	Galvanized steel		mat <sub>casing</sub>
Impeller material	Steel		mat <sub>impeller</sub>
Weight	73	kg	m
Nominal air flow rate, nominal point m <sup>3</sup> /h	4114.8	m <sup>3</sup> /h	q <sub>v,nom</sub>
Nominal external pressure, static	607	Pa	p <sub>s,nom</sub>
Fan type	Radial		Fan <sub>type</sub>
Category / Installation situation	A		cat

## ERP DATA (LOT 6)

Name	Value	Unit	Formula symbol
Nominal air flow rate, nominal point m <sup>3</sup> /s	1.14	m <sup>3</sup> /s	q <sub>v,nom</sub>
Actual electrical input power, nominal point	1.22	kW	P <sub>e,nom</sub>
Face velocity, nominal point	3.5	m/s	v <sub>nom</sub>
Nominal external pressure, static	607	Pa	p <sub>s,nom</sub>
supply air fan static efficiency, nominal point	63.5	%	η <sub>es,SUP</sub>
Highest external air leakage rate	0.07	%	
Enclosure sound level, nominal point	77	dB(A)	L <sub>WA2</sub>
Rating	Product is compliant 2018		

## MAXIMAL DATA

Name	Value	Unit	Formula symbol
Max. power consumption (device)	967	W	P <sub>ed, max</sub>
Max. operating current (device)	2.5	A	I <sub>ed, max</sub>
Max. speed	1630	1/min	n <sub>max</sub>
Max. stat. efficiency	53.1	%	η <sub>es</sub>
Max. fan efficiency	53.7	%	η <sub>e</sub>
Max. flowrate	7125	m <sup>3</sup> /h	Q <sub>v, max</sub>
Max. stat pressure	810	Pa	p <sub>sf, max</sub>
Max. medium temperature	120	°C	T <sub>m, max</sub>
Max. environment temperature	60	°C	T <sub>amb, max</sub>
Min. environment temperature	-20	°C	T <sub>amb, min</sub>

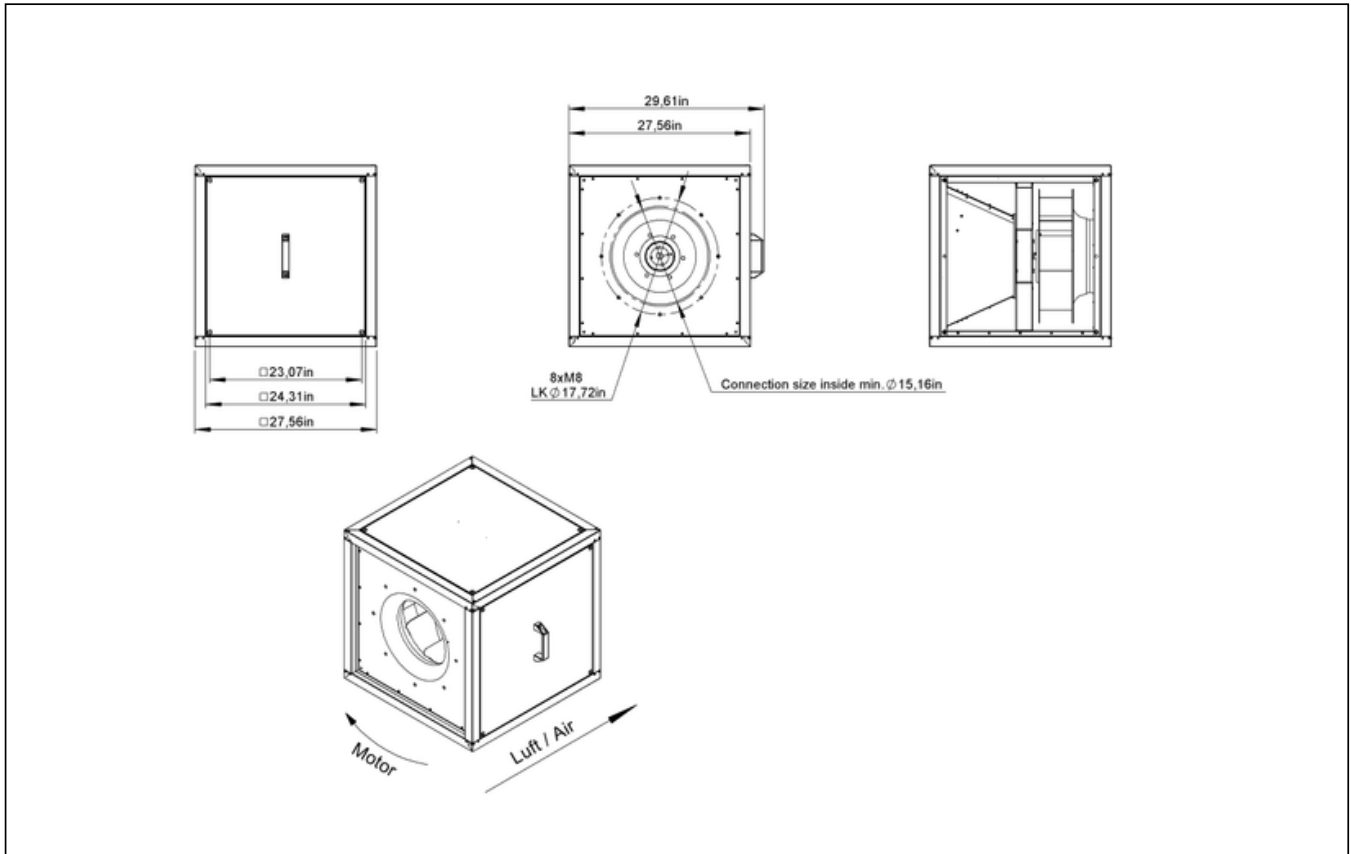
zur Produktseite



# MPC 450 D4 T40

157232

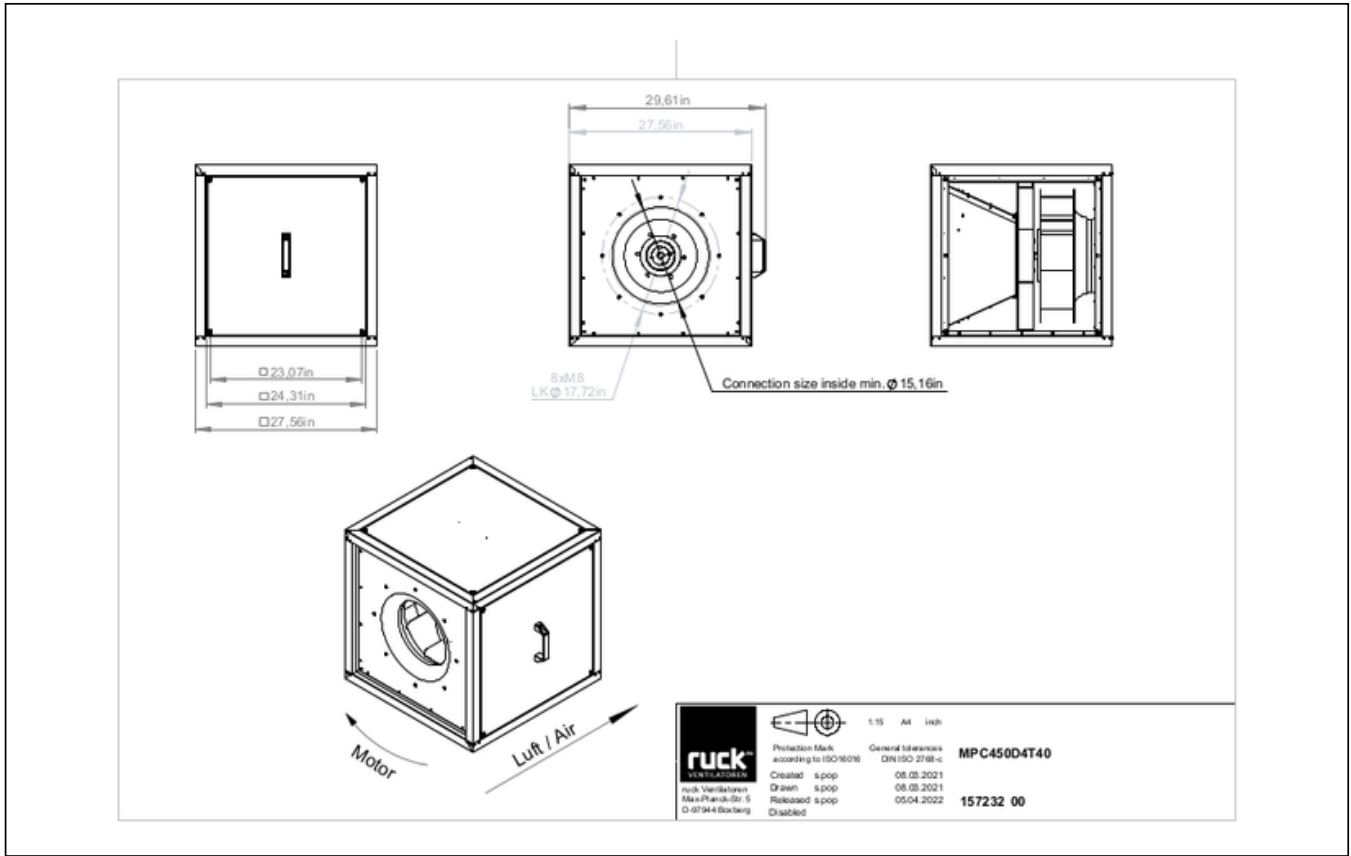
## SCHALTPLÄNE / MASSZEICHNUNGEN



zur Produktseite

# MPC 450 D4 T40

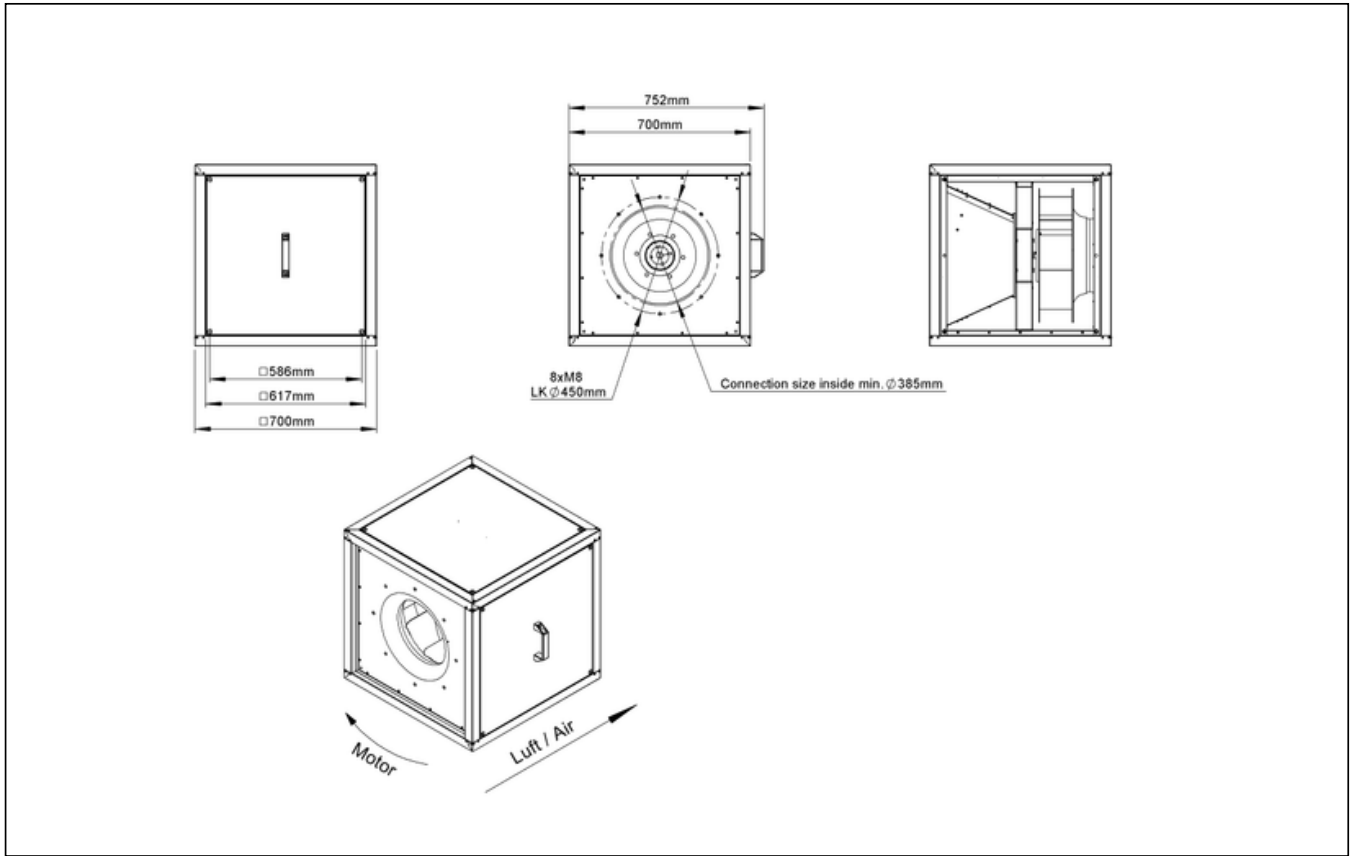
157232



zur Produktseite

# MPC 450 D4 T40

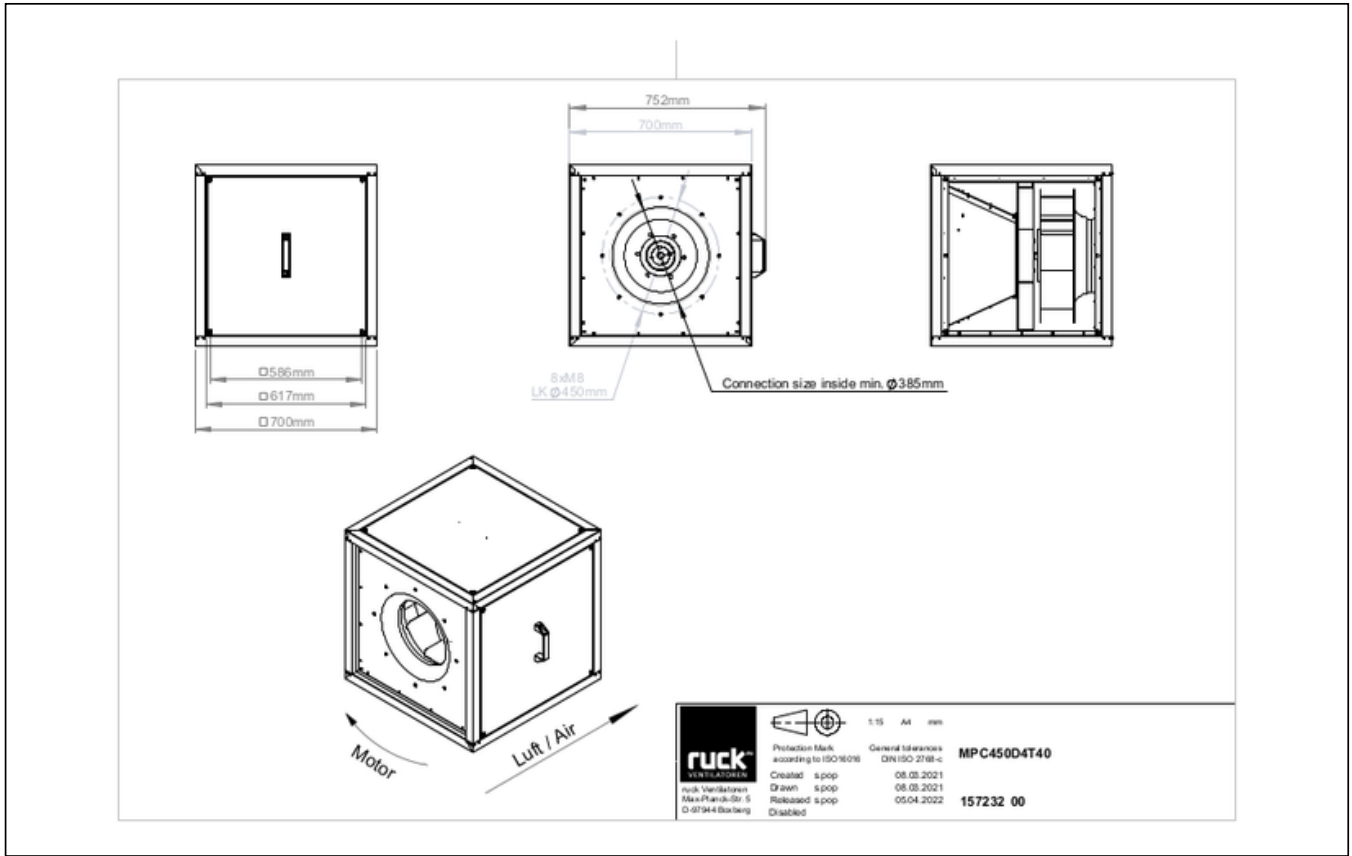
157232



zur Produktseite

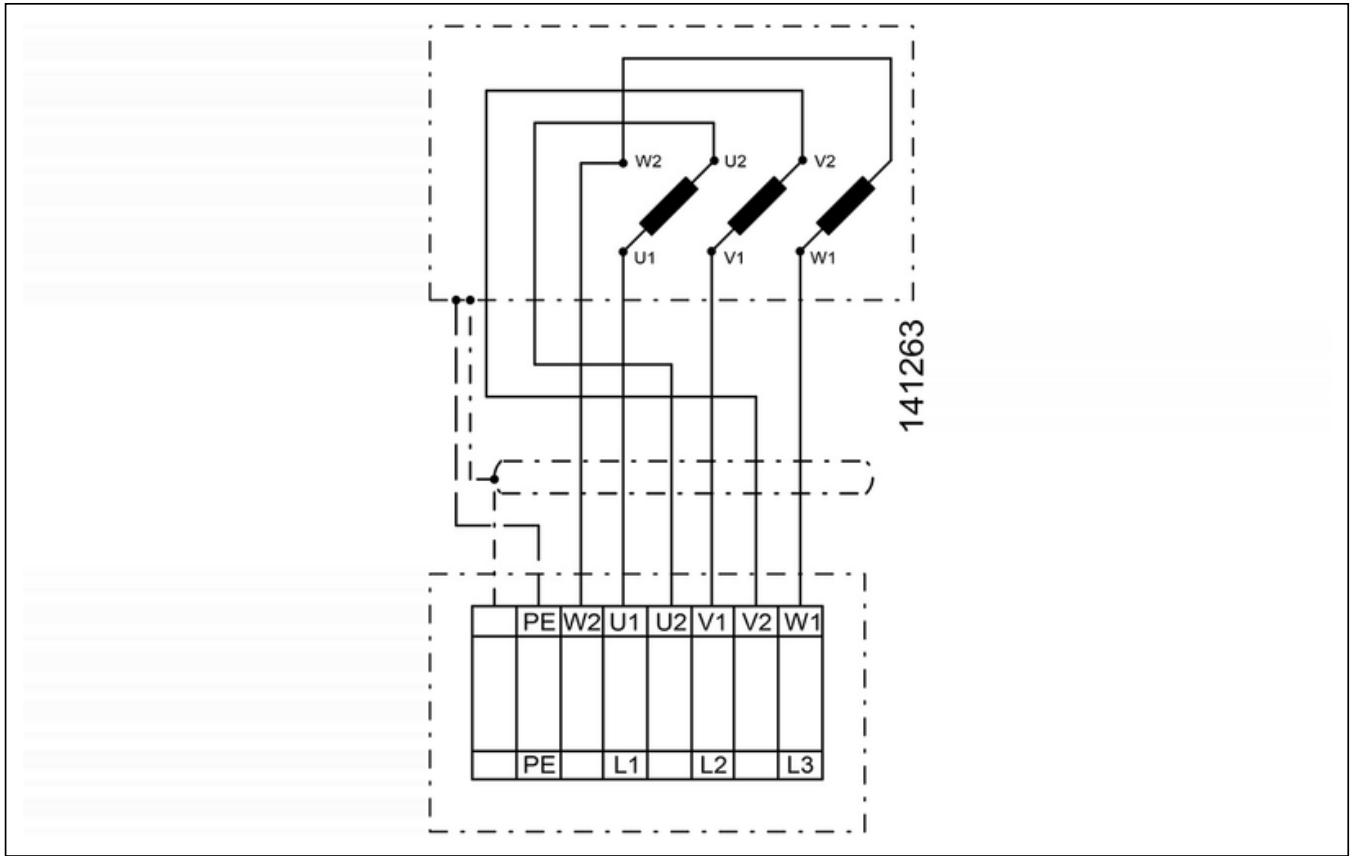
# MPC 450 D4 T40

157232



# MPC 450 D4 T40

157232



zur Produktseite

# MPC 450 D4 T40

157232

## MECHANICAL ACCESSORIES

**FB 700 | 160866**



- Air filter box for panel filter
- For MPC box 700
- For 1 or 2 filter (not included)
- Housing made of galvanized sheet steel

**USM 700 400 | 107214**



- Transition spigot
- Galvanized steel sheet
- Insulated

**USM 700 450 | 107240**



- Transition spigot
- Galvanized steel sheet
- Insulated

**USM 700 500 | 107241**



- Transition spigot
- Galvanized steel sheet
- Insulated

**MB MPC 02 | 116410**



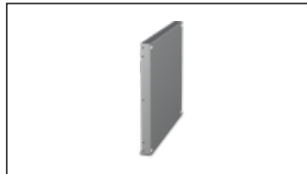
- Motor protection shield
- Sendzimir galvanized sheet

**GR MPC 02 | 123432**



- Base frame für MPC
- Galvanized steel sheet

**UCP 700 | 142568**



- Closed panel
- Galvanized steel sheet

**RVK 400 | 153701**



- Automatic tube shutter
- Sheet steel, powder coated
- For vertical installation
- Flange mounting

**RVK H 400 | 153926**



- Automatic tube shutter
- Sheet steel, powder coated
- For horizontal installation
- Flange mounting

**UQR 700 400 01 | 139863**



- Transition duct/tube
- Galvanized steel sheet
- Incl. 4 cylinder cap screws (M8 x 16 mm), 4 serrated lock washers for nominal size M8

**UQR 700 450 01 | 139868**



- Transition duct/tube
- Galvanized steel sheet
- Incl. 4 cylinder cap screws (M8 x 16 mm), 4 serrated lock washers for nominal size M8

**UQR 700 500 01 | 139871**



- Transition duct/tube
- Galvanized steel sheet
- Incl. 4 cylinder cap screws (M8 x 16 mm), 4 serrated lock washers for nominal size M8

**VM 400 | 102654**



- Fast clamps for sound decoupling and sealing
- Galvanized steel sheet, 5 mm
- Neopren gasket
- 1 Pack = 2 pieces

**VM 500 | 118094**



- Fast clamps for sound decoupling and sealing
- Galvanized steel sheet, 5 mm
- Neopren gasket
- 1 Pack = 2 pieces

**VM 450 | 119495**



- Fast clamps for sound decoupling and sealing
- Galvanized steel sheet, 5 mm
- Neopren gasket
- 1 Pack = 2 pieces

**AS MPC 450 | 140852**



- Inlet spigot
- Galvanized steel sheet

**AS MPC 500 | 140871**

**RAF 400 | 154019**

**RVS 400 | 154183**

**ESD 400 | 153959**



zur Produktseite



# MPC 450 D4 T40

157232



- Inlet spigot
- Galvanized steel sheet



- Round flange
- Sheet steel, powder coated

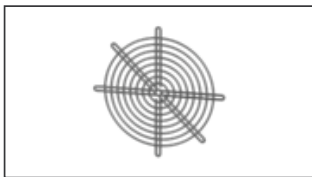


- Tube connection spigot
- Sheet steel, powder coated
- Suitable for outdoor installation
- Flange mounting



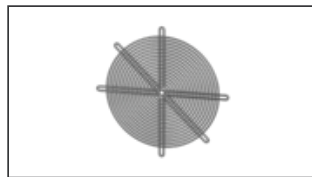
- Inlet cone
- Steel sheet, powder coated
- Flange mounting

## SGW 400 | 154050



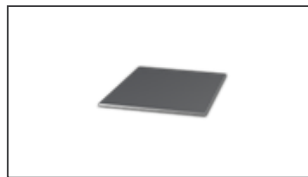
- Protection grille, wide meshed
- Steel sheet, galvanized
- Flange mounting

## SGE 400 | 154074



- Protection grille, narrow meshed
- Steel sheet, galvanized
- Flange mounting

## RD MPC 700 | 140093



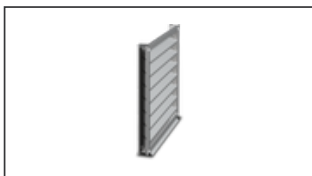
- Rain cover for outdoor installation
- Galvanized steel sheet

## WSH MPC 02 | 123433



- Weather protection hood
- Galvanized steel sheet

## WSG MPC 700 | 140748



- Weather protection grille
- Galvanized steel sheet

## RAS 400 | 154248



- Round spigot, flexible
- Galvanized steel sheet, plastic band (PES)
- Temperature resistant up to 75 °C
- Flange mounting



zur Produktseite

# MPC 450 D4 T40

157232

## ELECTRICAL ACCESSORIES

**GS 03 | 107633**



- Device switch
- $U_{max} = 400\text{ V}$ ,  $I_{max} = 25\text{ A}$
- Switching capacity  $400\text{ V } 3\text{-} = 5,5\text{ kW}$
- Protection class IP 55

**MS 02 | 140409**



- Motor protection switch with Isolator switchfunktion
- $I_{max} = 400\text{ V}$ , 50/60 Hz
- Max. 1.5 kW
- Protection class IP 55

**MTP 20 | 128146**



- Potentiometer 10 k $\Omega$
- Switching contact 1A/250V AC - 2,5A/12V DC
- Max. ambient temperature 50 °C
- VDE

**MTP 30 | 143289**



- Stepped potentiometer 10 k $\Omega$
- Step 1 + 2 settable 10 % - 100 % Vdc
- Step 3 100 % Vdc
- Supply voltage +10 Vdc

**MTP 40 | 147359**



- Potentiometer 10 k $\Omega$
- Connection in terminal box
- Max. ambient temperature 50 °C
- PU: 20 pieces

**SEN AIR | 148641**



- Airflow and temperature transducer
- Measuring range temperature 0...+50 °C
- With adjustable switching threshold (air speed)
- Measuring range air velocity up to 20 m/s

**CON P1000 | 115259**



- Constant pressure control
- Actual value display possible via optional control unit
- Output 0-10 V DC + FC enable + setpoint reached
- Pressure setting by means of decade switch

**FU 15 09 | 141843**



- Frequency converter
- Supply voltage 230 V 1~ 50/60 Hz
- Output voltage 0 - 230 V 3~
- Protection class IP 20, for switch cabinet

**FU 15 15 | 141865**



- Frequency converter
- Supply voltage 400 V 3~ 50/60 Hz
- Output voltage 0 - 400 V 3~
- Protection class IP 20, for switch cabinet

**FU 15 12 | 141854**



- Frequency converter IP66
- Supply voltage 230 V 1~ 50/60 Hz
- Output voltage 0 - 230 V 3~
- Fire mode function (smoke extract fans)

**FU 15 18 | 141876**



- Frequency converter
- Supply voltage 400 V 3~ 50/60 Hz
- Output voltage 0 - 400 V 3~
- Fire mode function (smoke extract fans)

**MTP 50 | 153133**



- Potentiometer with multifunction output
- 230 VAC  $\pm 10\%$  / 50-60 Hz
- Selectable output: 1-10 VDC / 2-20 mA / 10-100 % PWM
- Min. and max. output value adjustable



zur Produktseite