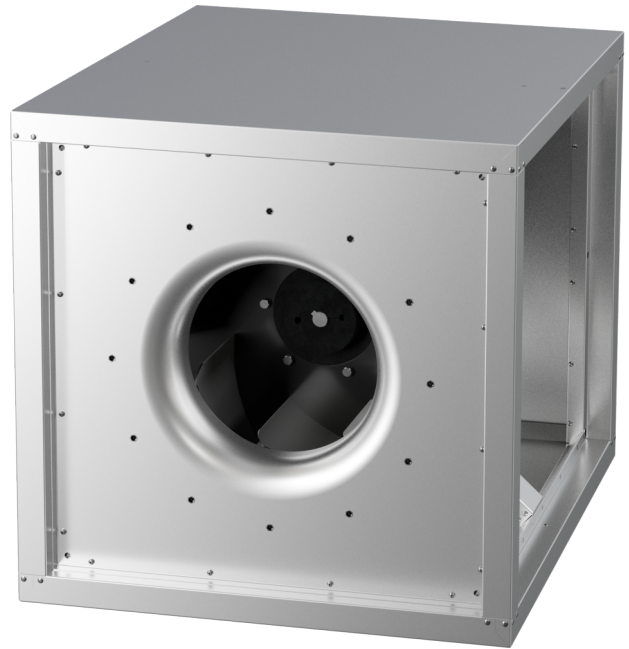


MPC 450 D4 40

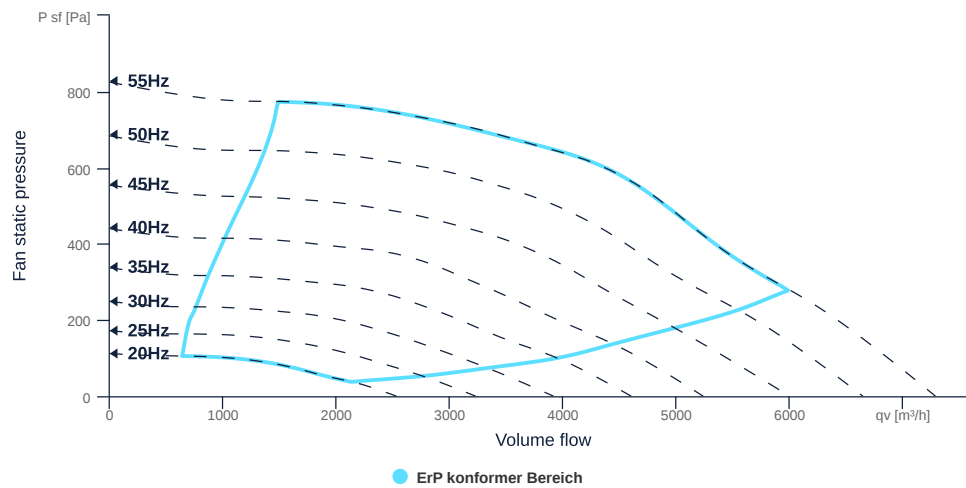
157199

- Radial fan with backward curved impeller
- Variable discharge direction right / left / linear
- Double wall housing made of galvanized steel sheet, insulated
- Efficient IE3 motor, frequency controllable
- Motor protection via frequency converter or motor protection switch
- With bottom tray



MAP

Name	Value	Unit
Volume flow	0	m³/h
Pressure	0	Pa



zur Produktseite

MPC 450 D4 40

157199

GENERAL DATA

Name	Value	Unit	Formula symbol
ERP conformity	Yes		
Duct size	-		WxH _{duct}
Pipe connection size (DN)	DN500		DN



zur Produktseite

MPC 450 D4 40

157199

GENERAL DATA

Name	Value	Unit	Formula symbol
Rated voltage (entire device)	400	V	U _{rated}
Phases (entire device)	3~		phase
Electrical protection (entire device)	6 A		fuse
Housing material	Galvanized steel		mat _{casing}
Impeller material	Steel		mat _{impeller}
Weight	73.6	kg	m
Nominal air flow rate, nominal point m ³ /h	4399.2	m ³ /h	q _{v,nom}
Nominal external pressure, static	593	Pa	p _{s,nom}
Fan type	Radial		Fan _{type}
Category / Installation situation	A		cat

ERP DATA (LOT 6)

Name	Value	Unit	Formula symbol
Nominal air flow rate, nominal point m ³ /s	1.22	m ³ /s	q _{v,nom}
Actual electrical input power, nominal point	1.22	kW	P _{e,nom}
Face velocity, nominal point	3.8	m/s	v _{nom}
Nominal external pressure, static	593	Pa	p _{s,nom}
supply air fan static efficiency, nominal point	63.4	%	η _{es,SUP}
Highest external air leakage rate	0.13	%	
Enclosure sound level, nominal point	66	dB(A)	L _{WA2}
Rating	Product is compliant 2018		

MAXIMAL DATA

Name	Value	Unit	Formula symbol
Max. power consumption (device)	945	W	P _{ed,max}
Max. operating current (device)	2.45	A	I _{ed,max}
Max. speed	1640	1/min	n _{max}
Max. stat. efficiency	56	%	η _{es}
Max. fan efficiency	57	%	η _e
Max. flowrate	7275	m ³ /h	q _{v,max}
Max. stat pressure	820	Pa	p _{sf,max}
Max. medium temperature	60	°C	T _{m,max}
Max. environment temperature	60	°C	T _{amb,max}
Min. environment temperature	-20	°C	T _{amb,min}

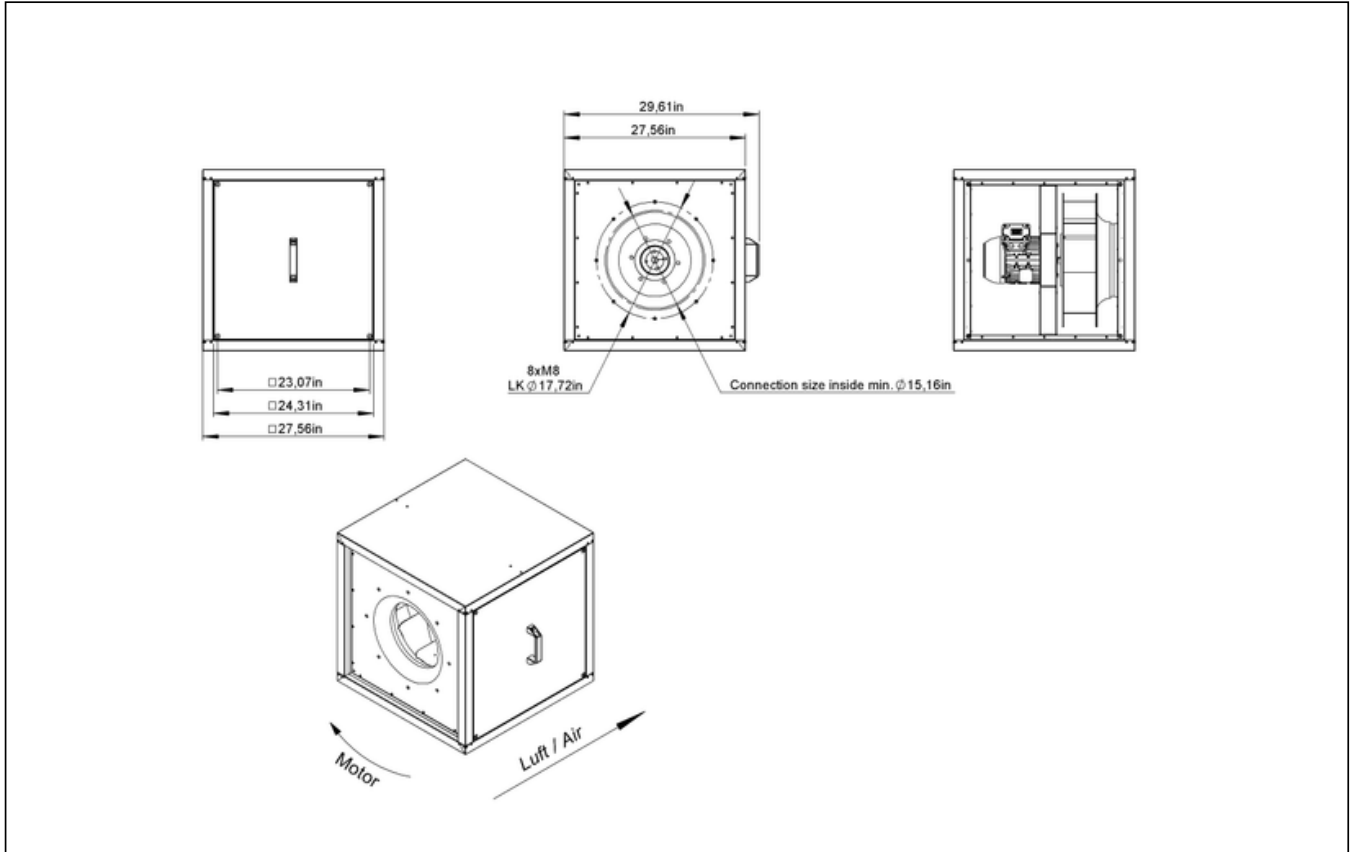


zur Produktseite

MPC 450 D4 40

157199

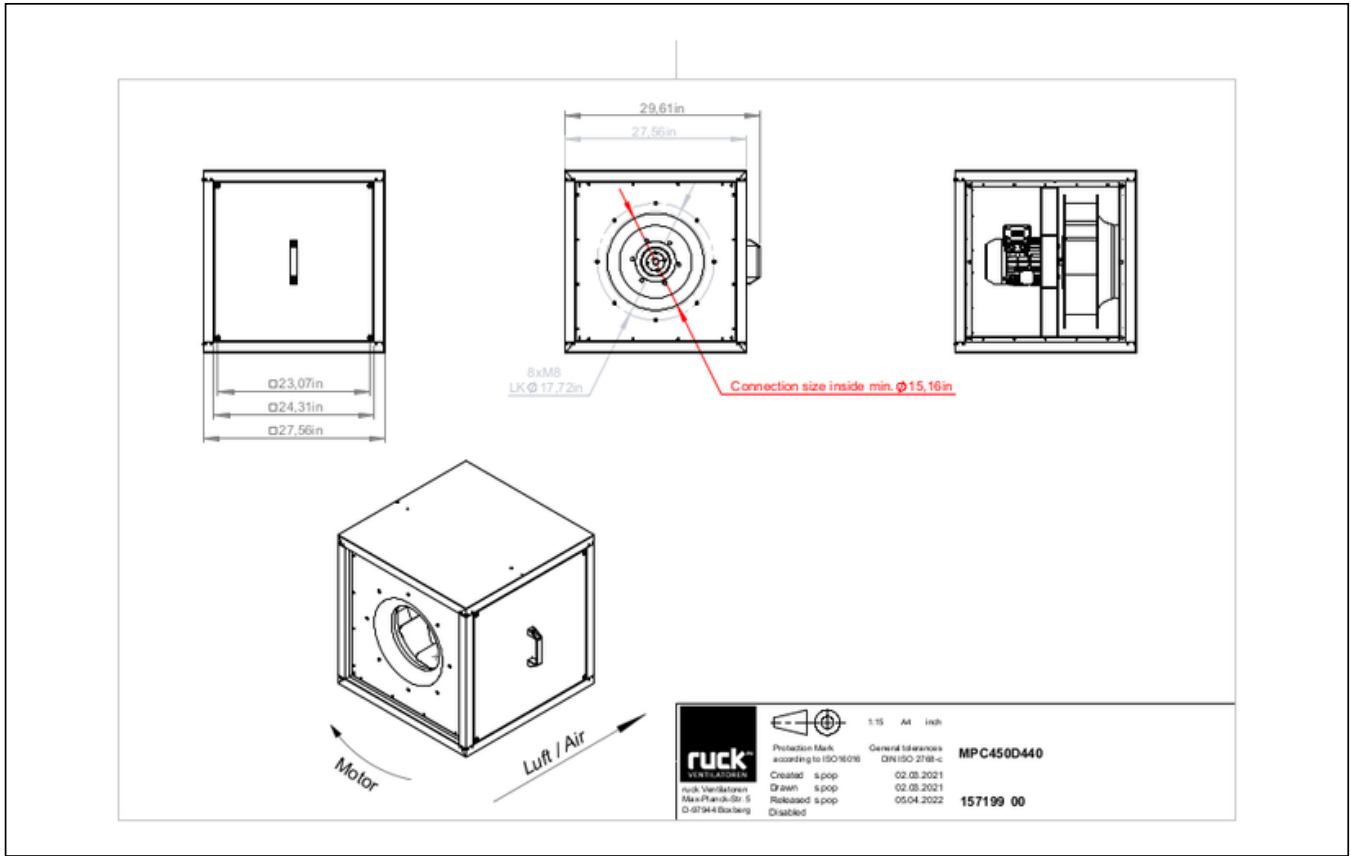
SCHALTPLÄNE / MASSZEICHNUNGEN



zur Produktseite

MPC 450 D4 40

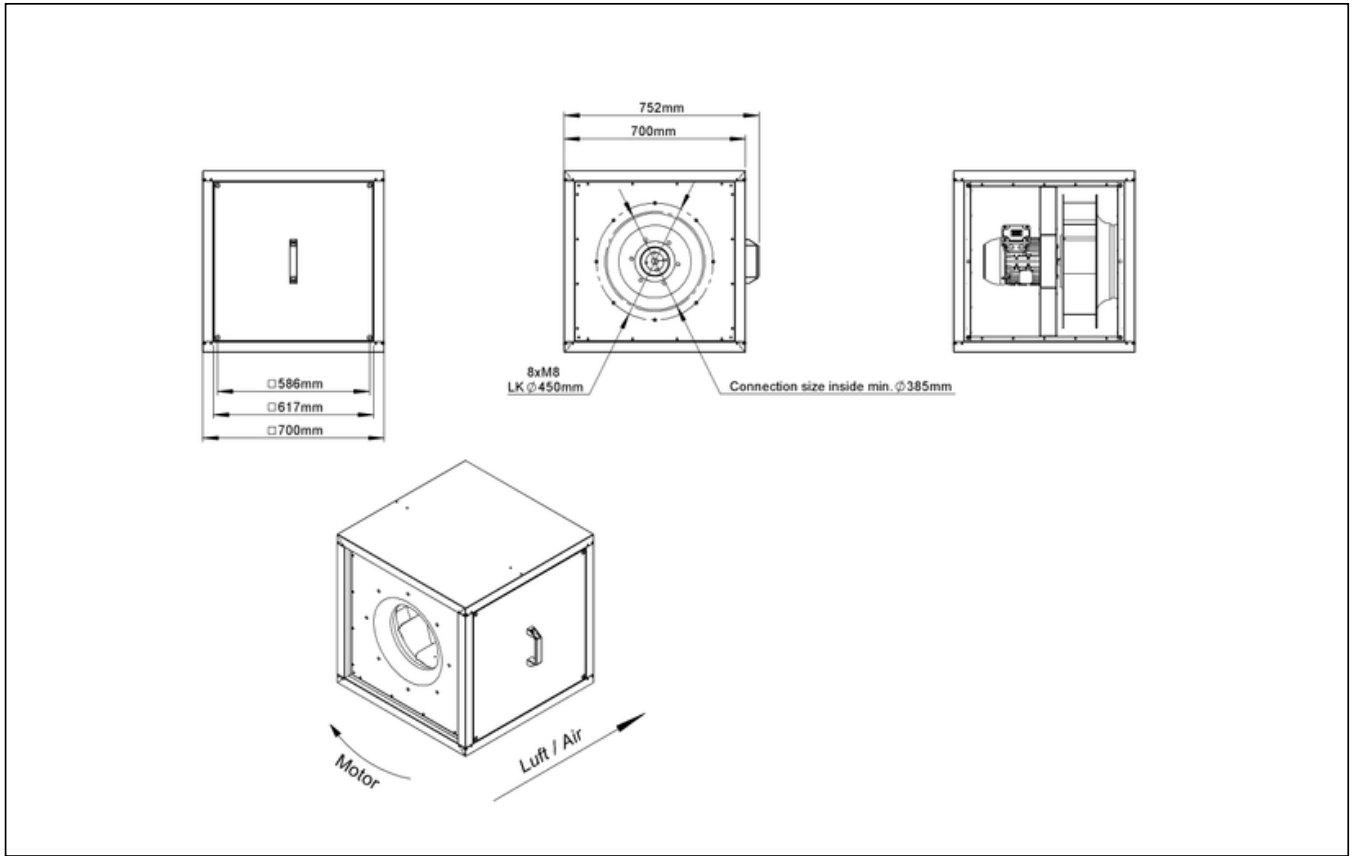
157199



zur Produktseite

MPC 450 D4 40

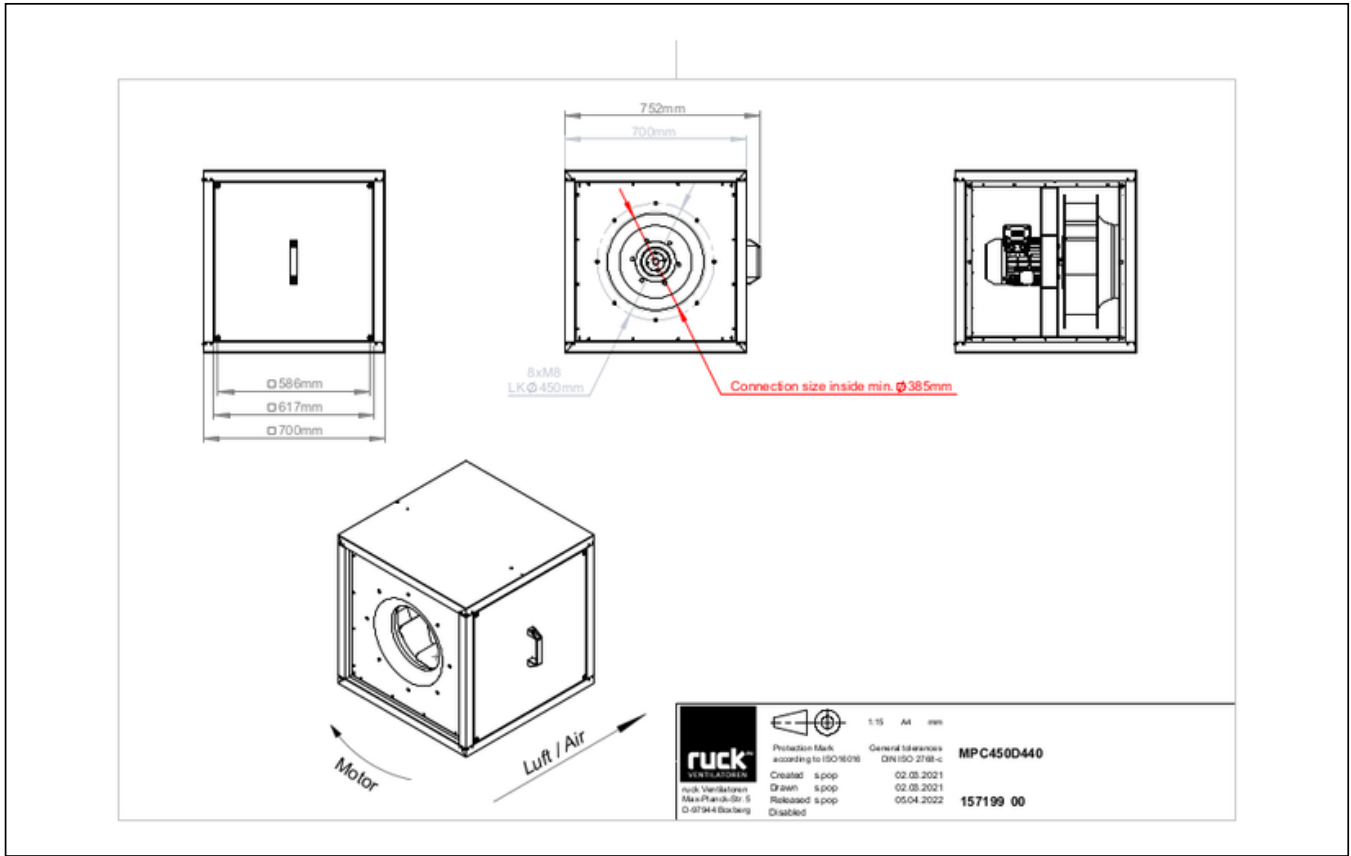
157199



zur Produktseite

MPC 450 D4 40

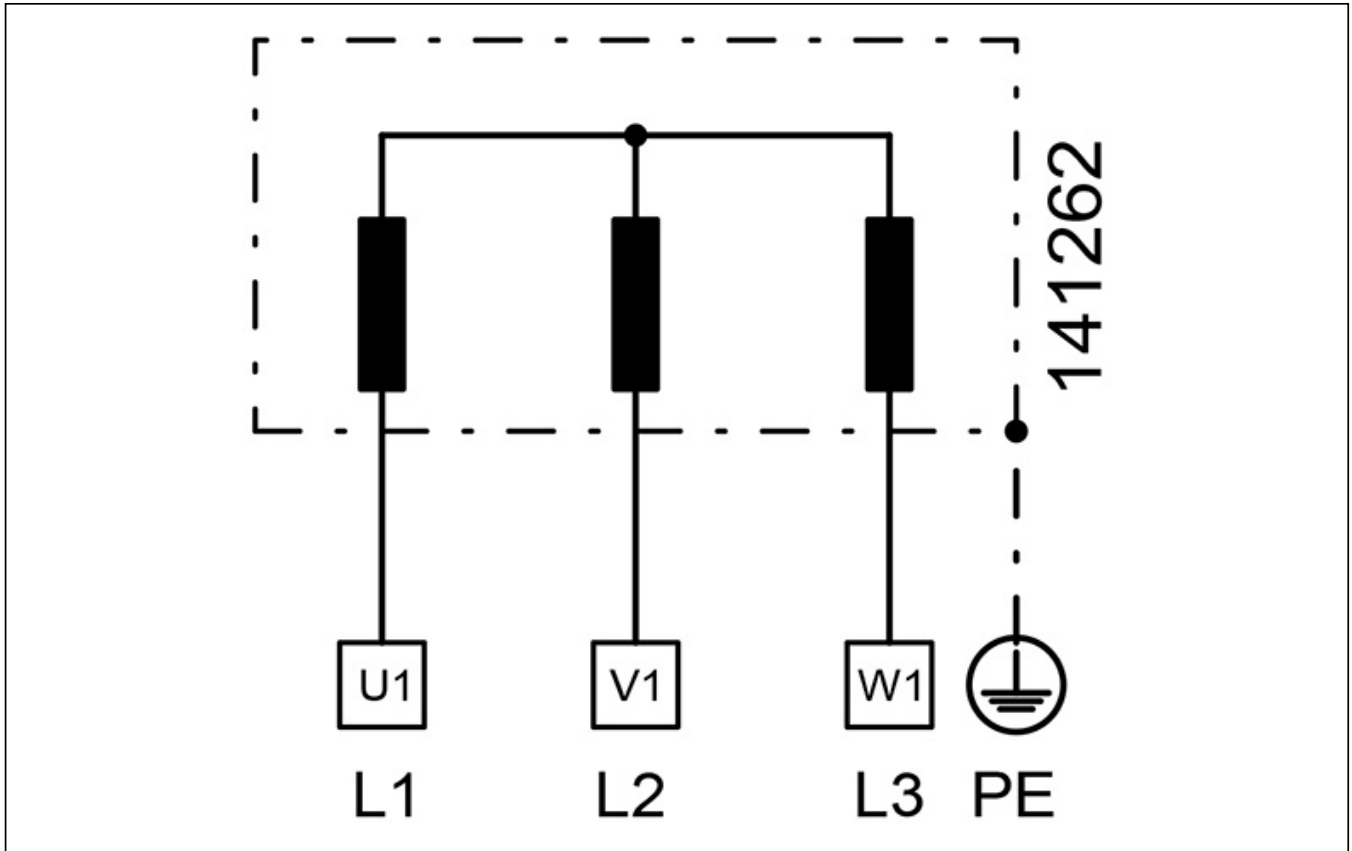
157199



zur Produktseite

MPC 450 D4 40

157199



zur Produktseite

MPC 450 D4 40

157199

MECHANICAL ACCESSORIES

FB 700 | 160866



- Air filter box for panel filter
- For MPC box 700
- For 1 or 2 filter (not included)
- Housing made of galvanized sheet steel

USM 700 400 | 107214



- Transition spigot
- Galvanized steel sheet
- Insulated

USM 700 450 | 107240



- Transition spigot
- Galvanized steel sheet
- Insulated

USM 700 500 | 107241



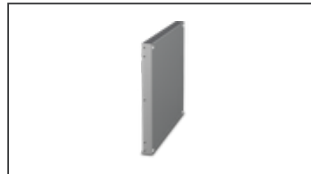
- Transition spigot
- Galvanized steel sheet
- Insulated

GR MPC 02 | 123432



- Base frame für MPC
- Galvanized steel sheet

UCP 700 | 142568



- Closed panel
- Galvanized steel sheet

RVK 400 | 153701



- Automatic tube shutter
- Sheet steel, powder coated
- For vertical installation
- Flange mounting

RVK H 400 | 153926



- Automatic tube shutter
- Sheet steel, powder coated
- For horizontal installation
- Flange mounting

UQR 700 400 01 | 139863



- Transition duct/tube
- Galvanized steel sheet
- Incl. 4 cylinder cap screws (M8 x 16 mm), 4 serrated lock washers for nominal size M8

UQR 700 450 01 | 139868



- Transition duct/tube
- Galvanized steel sheet
- Incl. 4 cylinder cap screws (M8 x 16 mm), 4 serrated lock washers for nominal size M8

UQR 700 500 01 | 139871



- Transition duct/tube
- Galvanized steel sheet
- Incl. 4 cylinder cap screws (M8 x 16 mm), 4 serrated lock washers for nominal size M8

VM 400 | 102654



- Fast clamps for sound decoupling and sealing
- Galvanized steel sheet, 5 mm
- Neopren gasket
- 1 Pack = 2 pieces

VM 500 | 118094



- Fast clamps for sound decoupling and sealing
- Galvanized steel sheet, 5 mm
- Neopren gasket
- 1 Pack = 2 pieces

VM 450 | 119495



- Fast clamps for sound decoupling and sealing
- Galvanized steel sheet, 5 mm
- Neopren gasket
- 1 Pack = 2 pieces

AS MPC 400 | 140847



- Inlet spigot
- Galvanized steel sheet

AS MPC 450 | 140852



- Inlet spigot
- Galvanized steel sheet

AS MPC 500 | 140871

RAF 400 | 154019

RVS 400 | 154183

ESD 400 | 153959



zur Produktseite

MPC 450 D4 40

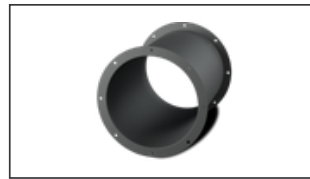
157199



- Inlet spigot
- Galvanized steel sheet



- Round flange
- Sheet steel, powder coated

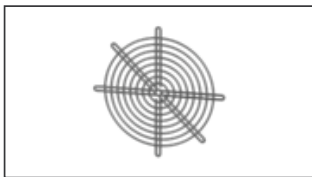


- Tube connection spigot
- Sheet steel, powder coated
- Suitable for outdoor installation
- Flange mounting



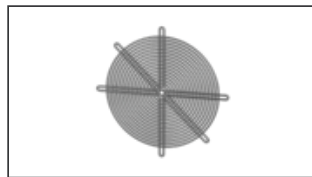
- Inlet cone
- Steel sheet, powder coated
- Flange mounting

SGW 400 | 154050



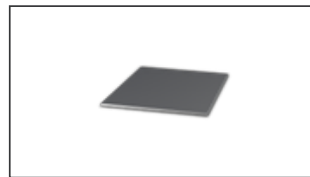
- Protection grille, wide meshed
- Steel sheet, galvanized
- Flange mounting

SGE 400 | 154074



- Protection grille, narrow meshed
- Steel sheet, galvanized
- Flange mounting

RD MPC 700 | 140093



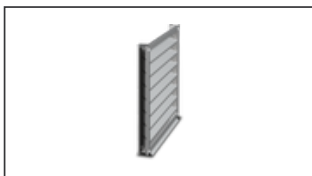
- Rain cover for outdoor installation
- Galvanized steel sheet

WSH MPC 02 | 123433



- Weather protection hood
- Galvanized steel sheet

WSG MPC 700 | 140748



- Weather protection grille
- Galvanized steel sheet

RAS 400 | 154248



- Round spigot, flexible
- Galvanized steel sheet, plastic band (PES)
- Temperature resistant up to 75 °C
- Flange mounting



zur Produktseite

ELECTRICAL ACCESSORIES

GS 03 | 107633



- Device switch
- $U_{max} = 400\text{ V}$, $I_{max} = 25\text{ A}$
- Switching capacity $400\text{ V } 3\text{-} = 5,5\text{ kW}$
- Protection class IP 55

MS 01 | 140407



- Motor protection switch with Isolator switchfunktion
- $I_{max} = 400\text{ V}$, 50/60 Hz
- Max. 0.55 kW
- Protection class IP 55

MTP 20 | 128146



- Potentiometer 10 k Ω
- Switching contact 1A/250V AC - 2,5A/12V DC
- Max. ambient temperature 50 °C
- VDE

MTP 30 | 143289



- Stepped potentiometer 10 k Ω
- Step 1 + 2 settable 10 % - 100 % Vdc
- Step 3 100 % Vdc
- Supply voltage +10 Vdc

MTP 40 | 147359



- Potentiometer 10 k Ω
- Connection in terminal box
- Max. ambient temperature 50 °C
- PU: 20 pieces

SEN AIR | 148641



- Airflow and temperature transducer
- Measuring range temperature 0...+50 °C
- With adjustable switching threshold (air speed)
- Measuring range air velocity up to 20 m/s

CON P1000 | 115259



- Constant pressure control
- Actual value display possible via optional control unit
- Output 0-10 V DC + FC enable + setpoint reached
- Pressure setting by means of decade switch

FU 15 09 | 141843



- Frequency converter
- Supply voltage 230 V 1~ 50/60 Hz
- Output voltage 0 - 230 V 3~
- Protection class IP 20, for switch cabinet

FU 15 15 | 141865



- Frequency converter
- Supply voltage 400 V 3~ 50/60 Hz
- Output voltage 0 - 400 V 3~
- Protection class IP 20, for switch cabinet

FU 15 12 | 141854



- Frequency converter IP66
- Supply voltage 230 V 1~ 50/60 Hz
- Output voltage 0 - 230 V 3~
- Fire mode function (smoke extract fans)

FU 15 18 | 141876



- Frequency converter
- Supply voltage 400 V 3~ 50/60 Hz
- Output voltage 0 - 400 V 3~
- Fire mode function (smoke extract fans)

MTP 50 | 153133



- Potentiometer with multifunction output
- 230 VAC $\pm 10\%$ / 50-60 Hz
- Selectable output: 1-10 VDC / 2-20 mA / 10-100 % PWM
- Min. and max. output value adjustable

