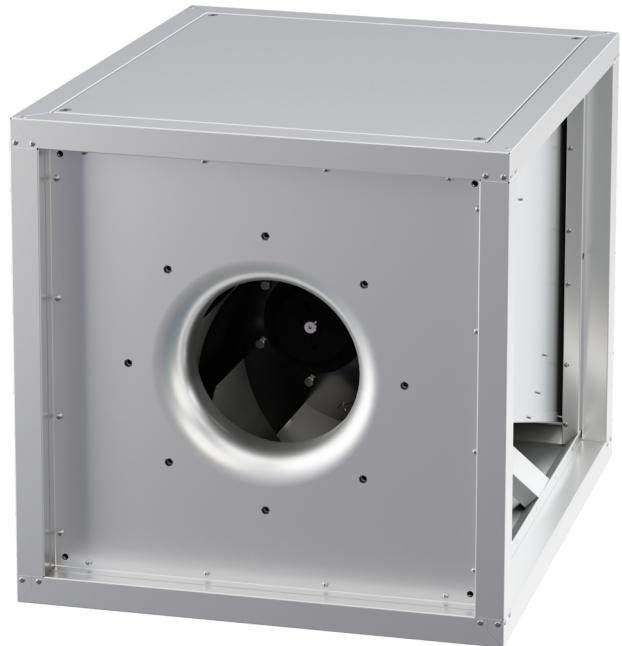


MPC 400 E4 T21

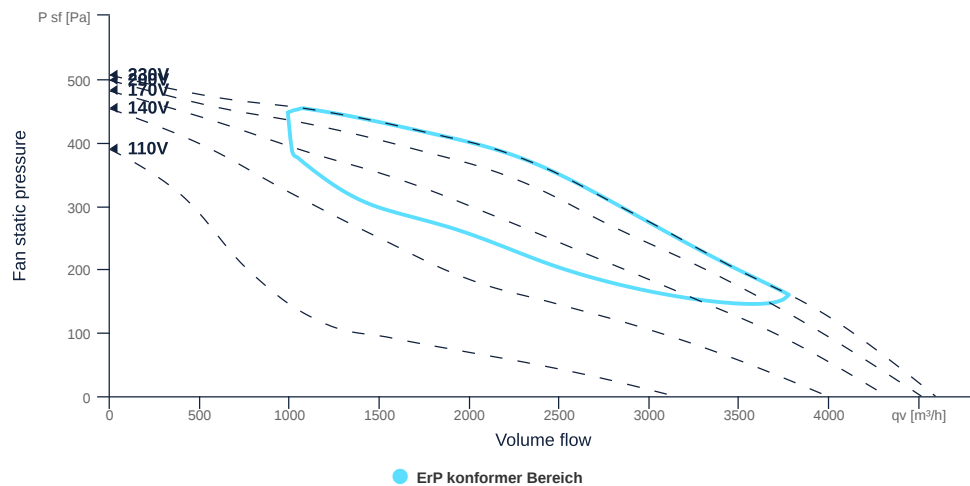
136887

- Backward curved radial impeller
- Removable side walls, variable discharge direction
- Sheet steel housing double-walled, 30 mm mineral wool
- AC motor outside the airflow, controllable
- Conveyed medium temperature up to 80 °C in continuous operation
- Housing bottom designed with integrated drain



MAP

Name	Value	Unit
Volume flow	0	m³/h
Pressure	0	Pa



zur Produktseite

MPC 400 E4 T21

136887

ruck

GENERAL DATA

Name	Value	Unit	Formula symbol
ERP conformity	Yes		
Certifications	none		
Duct size	-		WxH _{duct}
Pipe connection size (DN)	DN500		DN
Rated voltage (entire device)	230	V	U _{rated}
Phases (entire device)	1~		phase
Electrical protection (entire device)	6 A		fuse
Housing material	Galvanized steel		mat _{casing}
Impeller material	Steel		mat _{impeller}
Weight	63.43	kg	m
Nominal air flow rate, nominal point m ³ /h	3682.8	m ³ /h	q _{v,nom}
Nominal external pressure, static	177	Pa	p _{s,nom}
Fan type	Radial		Fan _{type}
Category / Installation situation	A		cat

ERP DATA (LOT 6)

Name	Value	Unit	Formula symbol
Nominal air flow rate, nominal point m ³ /s	1.02	m ³ /s	q _{v,nom}
Actual electrical input power, nominal point	0.46	kW	P _{e,nom}
Face velocity, nominal point	3.2	m/s	v _{nom}
Nominal external pressure, static	177	Pa	p _{s,nom}
supply air fan static efficiency, nominal point	48.1	%	η _{es,SUP}
Highest external air leakage rate	0.15	%	
Enclosure sound level, nominal point	67	dB(A)	L _{WA2}
Rating	Product is compliant 2018		

zur Produktseite



MPC 400 E4 T21

136887

ruck

MAXIMAL DATA

Name	Value	Unit	Formula symbol
Max. power consumption (device)	499	W	$P_{ed, max}$
Max. operating current (device)	2.84	A	$I_{ed, max}$
Max. speed	1450	1/min	n_{max}
Max. stat. efficiency	46.6	%	η_{es}
Max. fan efficiency	47	%	η_e
Max. flowrate	4590	m ³ /h	Q_v, max
Max. stat pressure	510	Pa	$p_{sf, max}$
Max. medium temperature	80	°C	T_m, max
Max. environment temperature	80	°C	$T_{amb, max}$
Min. environment temperature	-25	°C	$T_{amb, min}$
Min. voltage	110	V	U_{min}

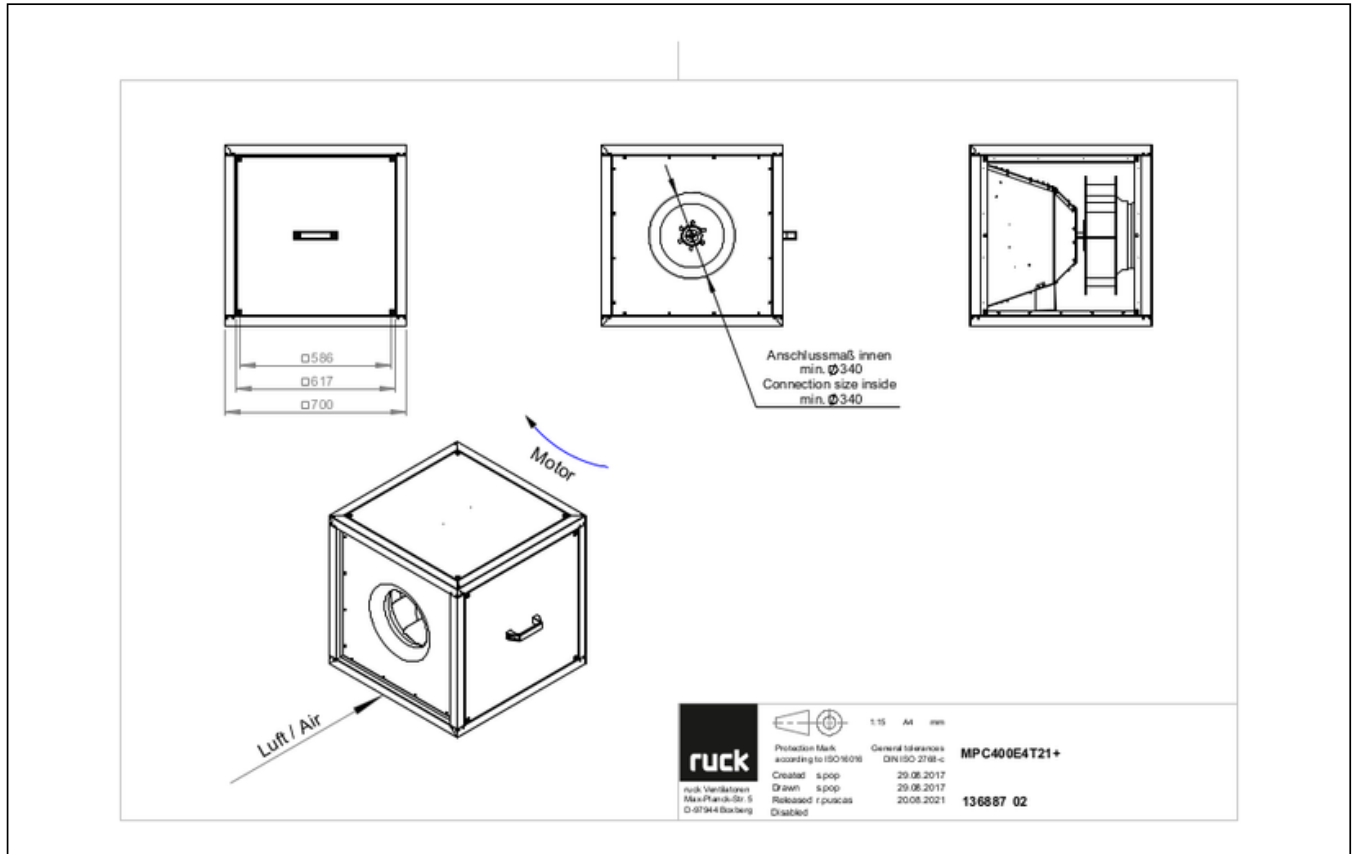


zur Produktseite

MPC 400 E4 T21

136887

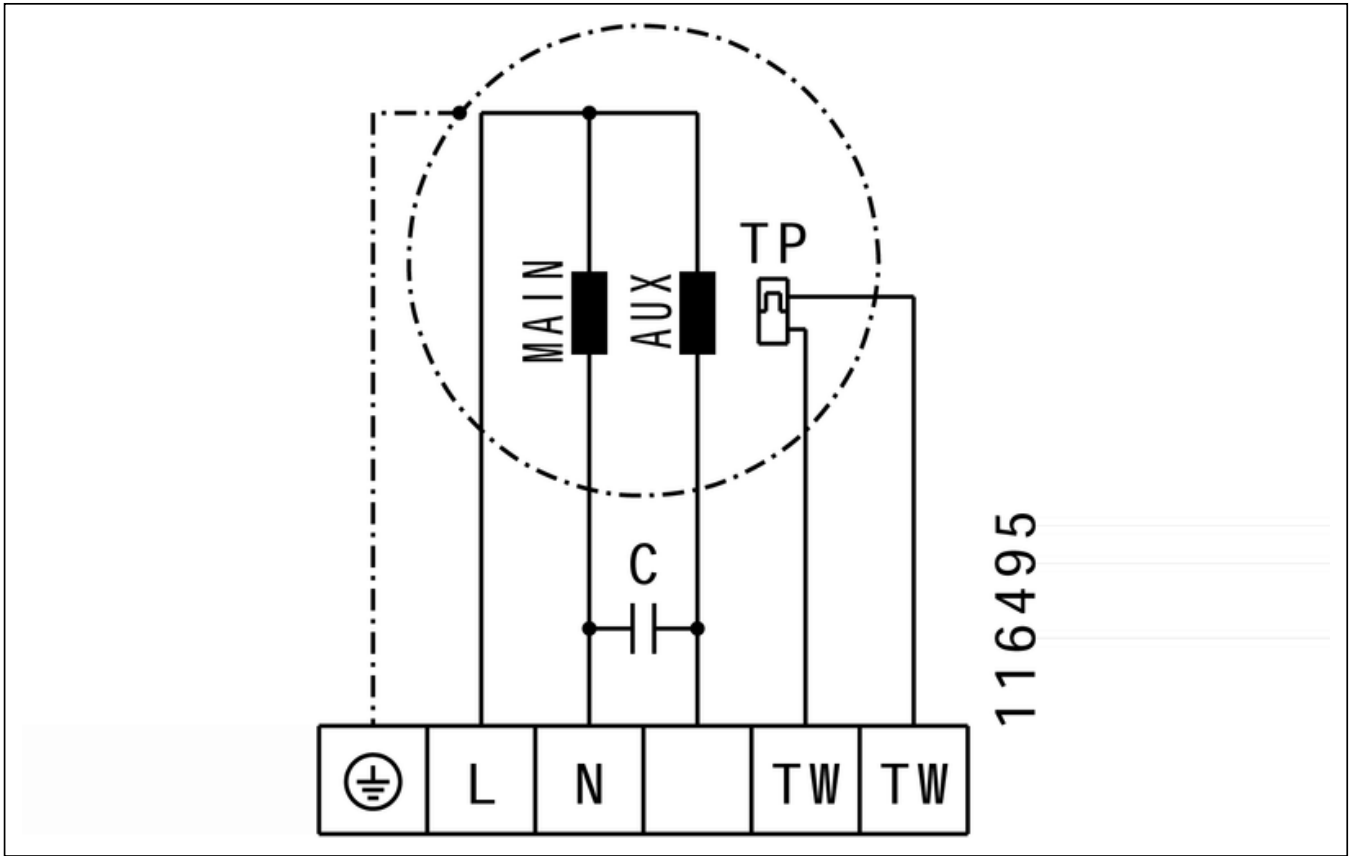
SCHALTPLÄNE / MASSZEICHNUNGEN



zur Produktseite

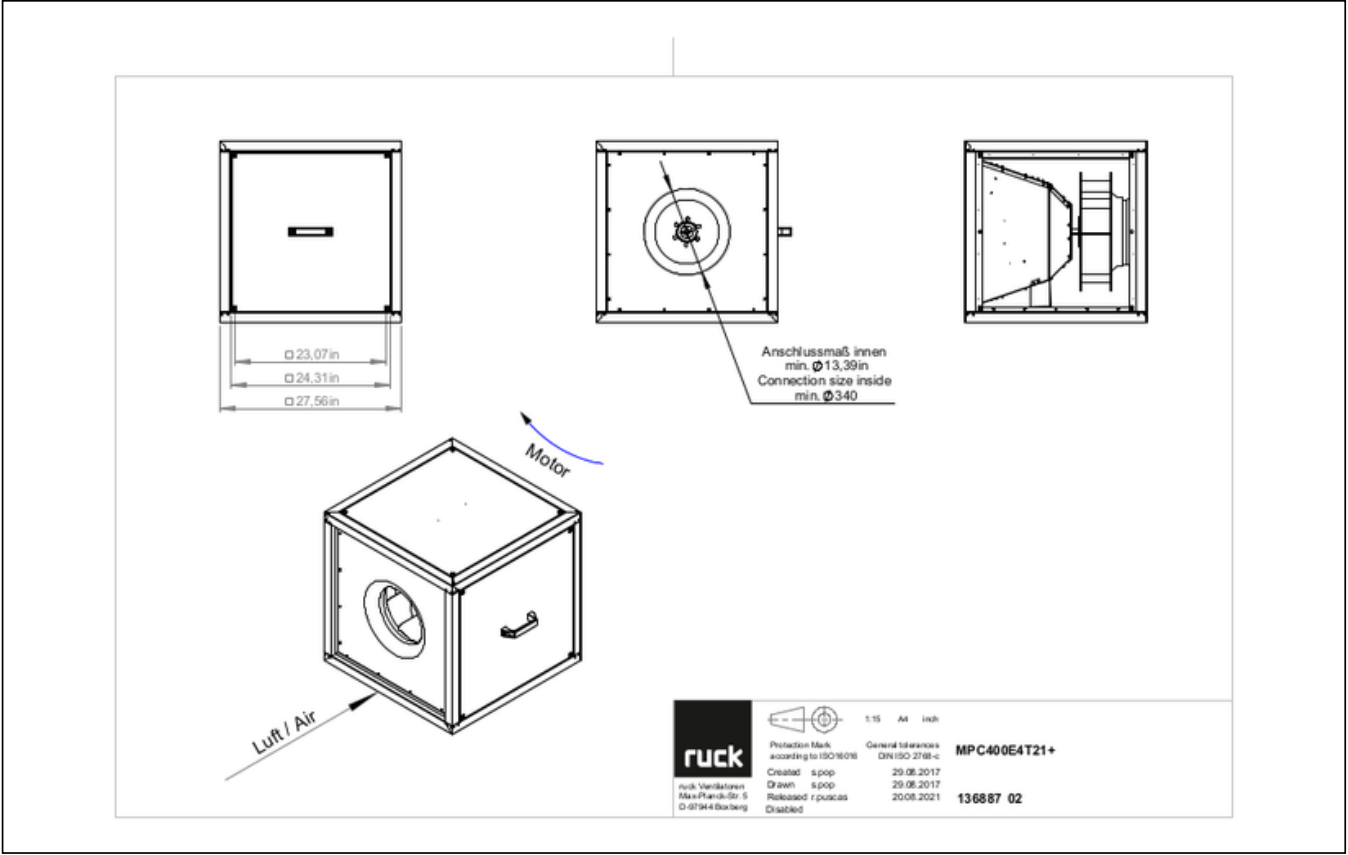
MPC 400 E4 T21

136887



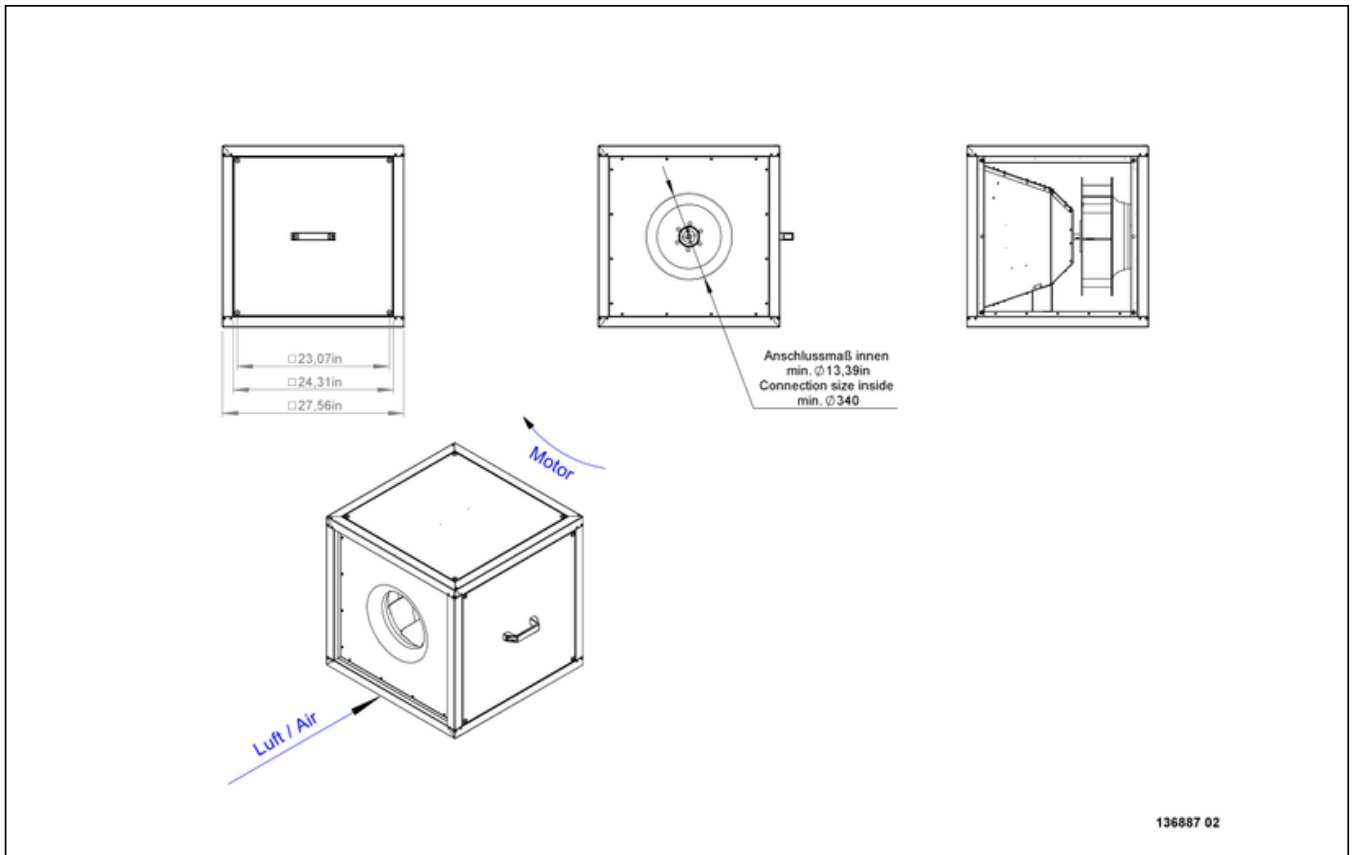
MPC 400 E4 T21

136887



MPC 400 E4 T21

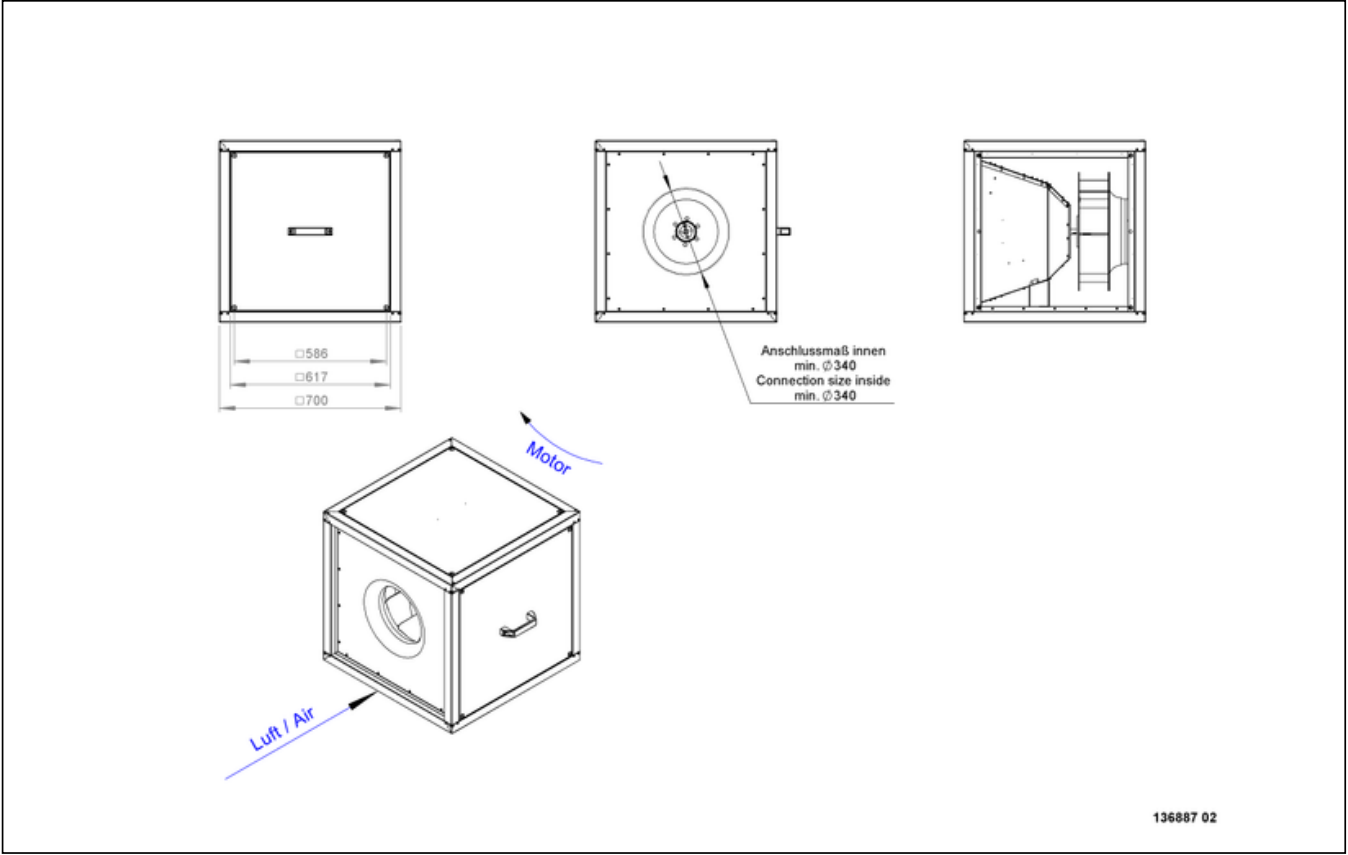
136887



zur Produktseite

MPC 400 E4 T21

136887



136887 02



zur Produktseite

MPC 400 E4 T21

136887

MECHANICAL ACCESSORIES

USM 700 400 | 107214



- Transition spigot
- Galvanized steel sheet
- Insulated

USM 700 450 | 107240



- Transition spigot
- Galvanized steel sheet
- Insulated

USM 700 500 | 107241



- Transition spigot
- Galvanized steel sheet
- Insulated

MB MPC 02 | 116410



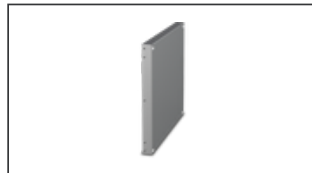
- Motor protection shield
- Sendzimir galvanized sheet

GR MPC 02 | 123432



- Base frame für MPC
- Galvanized steel sheet

UCP 700 | 142568



- Closed panel
- Galvanized steel sheet

UQR 700 400 01 | 139863



- Transition duct/tube
- Galvanized steel sheet
- Incl. 4 cylinder cap screws (M8 x 16 mm), 4 serrated lock washers for nominal size M8

UQR 700 450 01 | 139868



- Transition duct/tube
- Galvanized steel sheet
- Incl. 4 cylinder cap screws (M8 x 16 mm), 4 serrated lock washers for nominal size M8

UQR 700 500 01 | 139871



- Transition duct/tube
- Galvanized steel sheet
- Incl. 4 cylinder cap screws (M8 x 16 mm), 4 serrated lock washers for nominal size M8

VM 400 | 102654



- Fast clamps for sound decoupling and sealing
- Galvanized steel sheet, 5 mm
- Neopren gasket
- 1 Pack = 2 pieces

VM 500 | 118094



- Fast clamps for sound decoupling and sealing
- Galvanized steel sheet, 5 mm
- Neopren gasket
- 1 Pack = 2 pieces

VM 450 | 119495



- Fast clamps for sound decoupling and sealing
- Galvanized steel sheet, 5 mm
- Neopren gasket
- 1 Pack = 2 pieces

AS MPC 400 | 140847



- Inlet spigot
- Galvanized steel sheet

AS MPC 450 | 140852



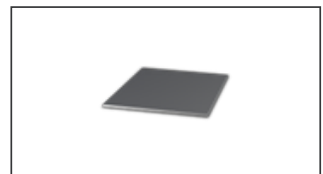
- Inlet spigot
- Galvanized steel sheet

AS MPC 500 | 140871



- Inlet spigot
- Galvanized steel sheet

RD MPC 700 | 140093



- Rain cover for outdoor installation
- Galvanized steel sheet

WSH MPC 02 | 123433



WSG MPC 700 | 140748



zur Produktseite

MPC 400 E4 T21

136887

- Weather protection hood
- Weather protection grille
- Galvanized steel sheet
- Galvanized steel sheet

ELECTRICAL ACCESSORIES

GS 01 | 102787



- Isolator switch
- Umax = 400 V, 50/60 Hz
- Switching capacity 400 V 3~ = 5,5 kW
- I_{max} = 16 A

TEM 035 | 103502



- 5-step transformer
- 230 V, 50/60 Hz, 3.5 A
- Output voltage: 230-190-170-140-110-80-0 V
- Protection class IP 54

TEM 035G | 111580



TES 035 02 | 146195



- 5-step transformer
- 230 V, 50/60 Hz, 3.5 A
- Without housing, control cabinet installation
- Protection class IP 20



zur Produktseite