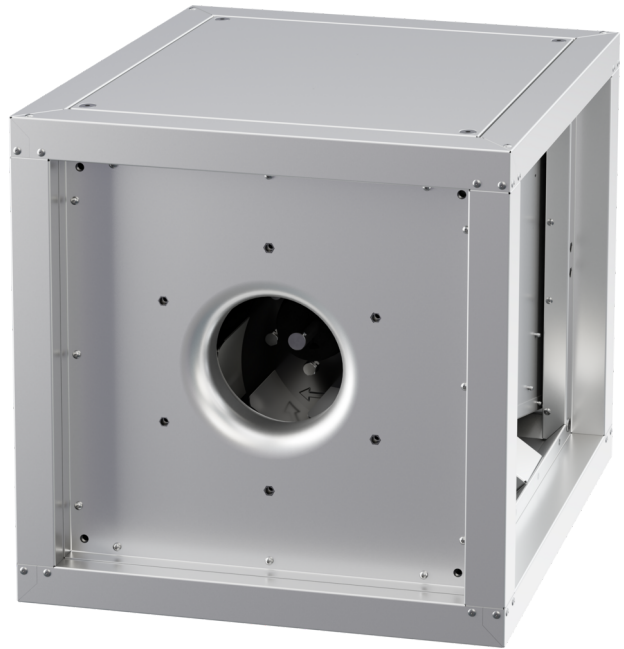


MPC 315 E2 T21

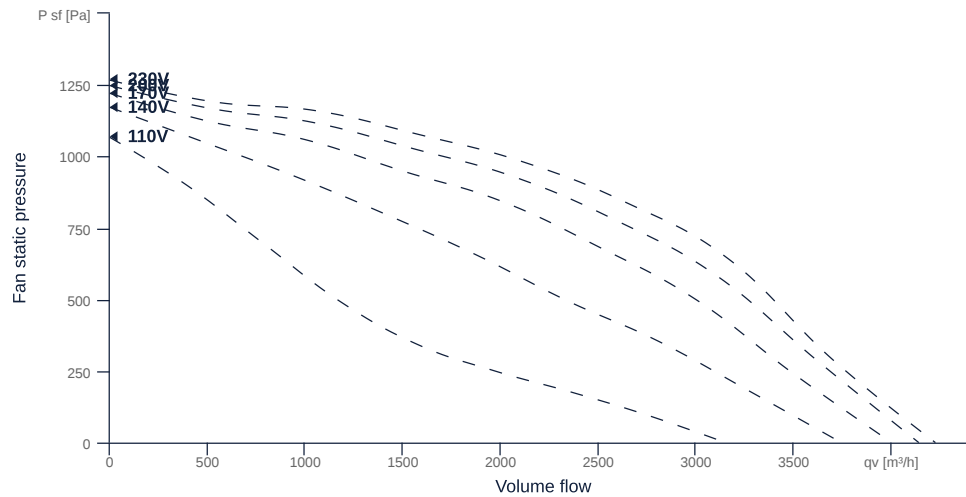
136829

- Backward curved radial impeller
- Removable side walls, variable discharge direction
- Sheet steel housing double-walled, 30 mm mineral wool
- AC motor outside the airflow, controllable
- Conveyed medium temperature up to 80 °C in continuous operation
- Housing bottom designed with integrated drain



MAP

Name	Value	Unit
Volume flow	0	m³/h
Pressure	0	Pa



zur Produktseite

MPC 315 E2 T21

136829

ruck

GENERAL DATA

Name	Value	Unit	Formula symbol
ERP conformity	Yes		
Certifications	none		
Duct size	-		WxH _{duct}
Pipe connection size (DN)	-		DN
Rated voltage (entire device)	230	V	U _{rated}
Phases (entire device)	1~		phase
Electrical protection (entire device)	10 A		fuse
Housing material	Galvanized steel		mat _{casing}
Impeller material	Steel		mat _{impeller}
Weight	45.54	kg	m
Nominal air flow rate, nominal point m ³ /h	2761.2	m ³ /h	q _{v,nom}
Nominal external pressure, static	796	Pa	p _{s,nom}
Fan type	Radial		Fan _{type}
Category / Installation situation	A		cat

ERP DATA (LOT 6)

Name	Value	Unit	Formula symbol
Nominal air flow rate, nominal point m ³ /s	0.77	m ³ /s	q _{v,nom}
Actual electrical input power, nominal point	1.31	kW	Pe <sub,nom< sub=""></sub,nom<>
Face velocity, nominal point	5.5	m/s	v _{nom}
Nominal external pressure, static	796	Pa	p _{s,nom}
supply air fan static efficiency, nominal point	51.6	%	η _{es,SUP}
Highest external air leakage rate	0.21	%	
Enclosure sound level, nominal point	78	dB(A)	LWA ₂
Rating	Product is compliant 2018		



zur Produktseite

MPC 315 E2 T21

136829

MAXIMAL DATA

Name	Value	Unit	Formula symbol
Max. power consumption (device)	1319	W	$P_{ed, max}$
Max. operating current (device)	7.62	A	$I_{ed, max}$
Max. speed	2930	1/min	n_{max}
Max. stat. efficiency	44.6	%	η_{es}
Max. fan efficiency	45.3	%	η_e
Max. flowrate	4225	m ³ /h	Q_v, max
Max. stat pressure	1270	Pa	$p_{sf, max}$
Max. medium temperature	80	°C	T_m, max
Max. environment temperature	50	°C	$T_{amb, max}$
Min. environment temperature	-25	°C	$T_{amb, min}$
Min. voltage	110	V	U_{min}
Stall current	22	A	I_{LRA}

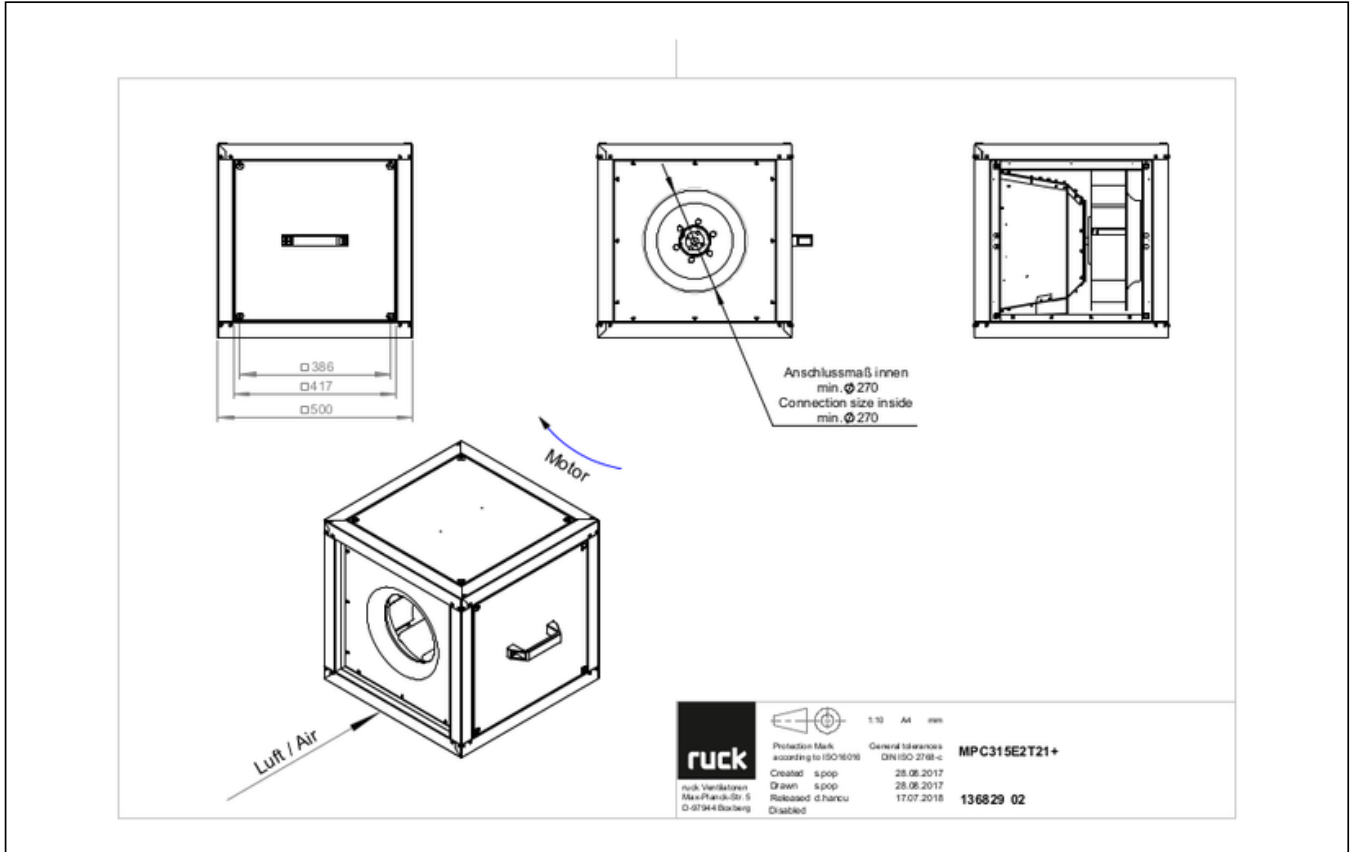


zur Produktseite

MPC 315 E2 T21

136829

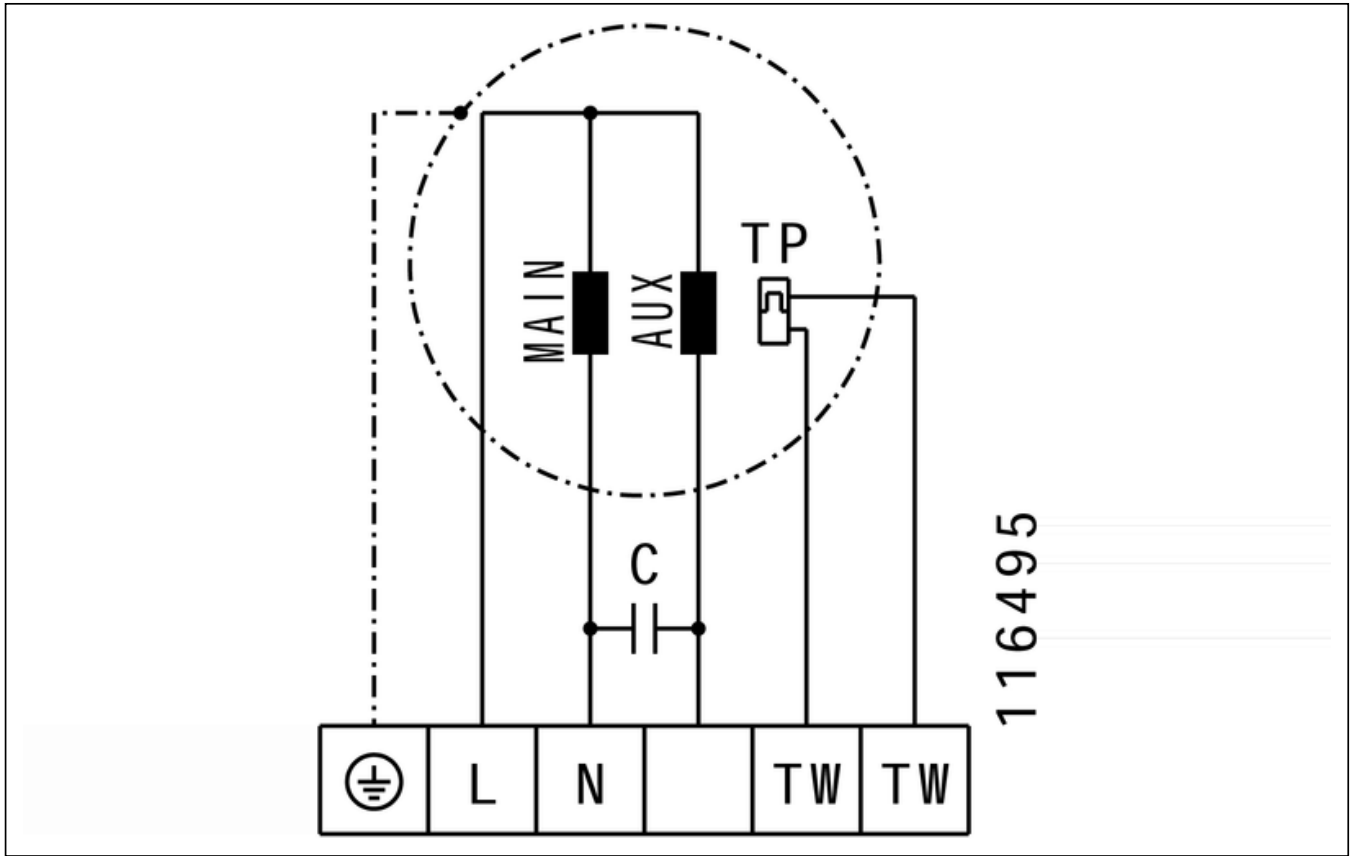
SCHALTPLÄNE / MASSZEICHNUNGEN



zur Produktseite

MPC 315 E2 T21

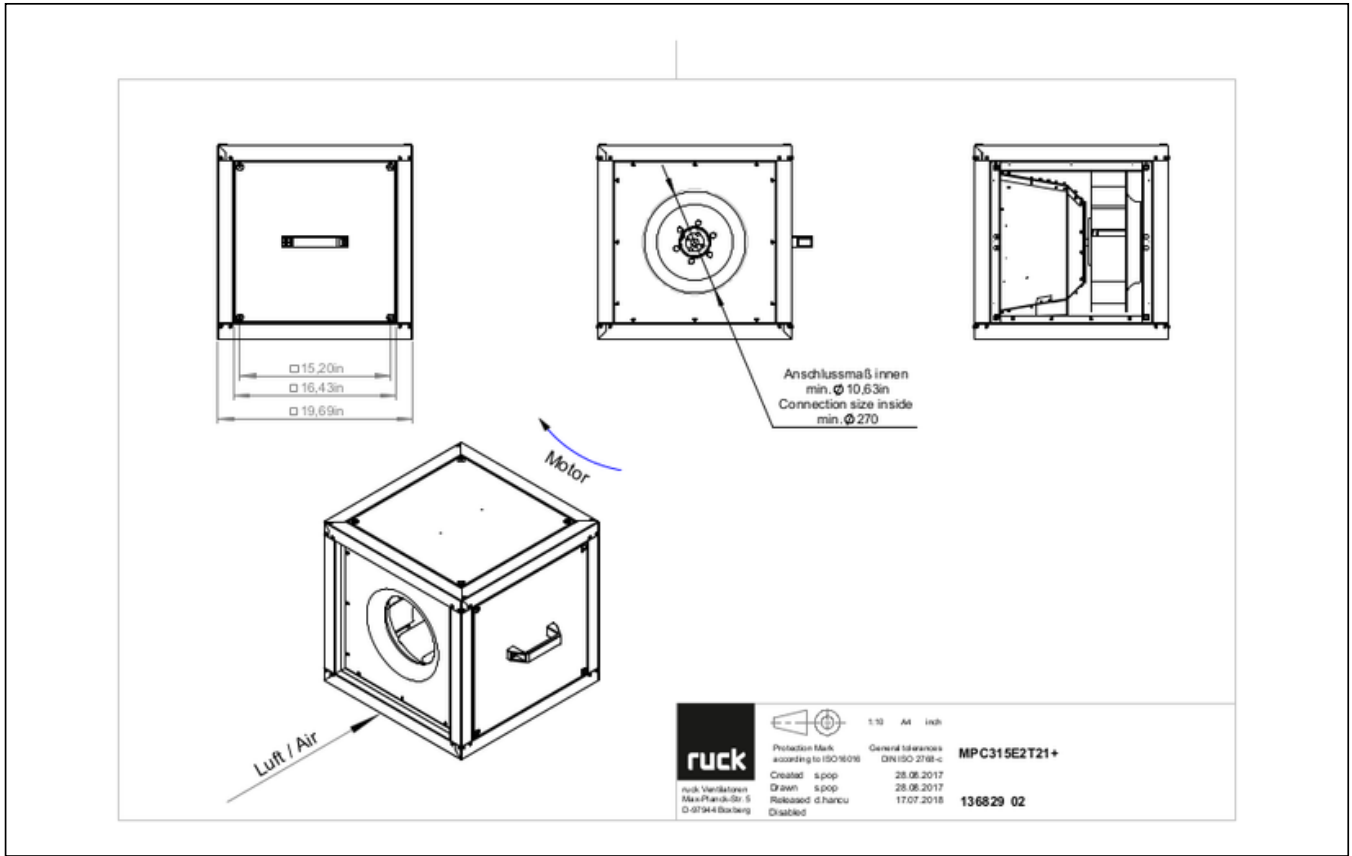
136829



zur Produktseite

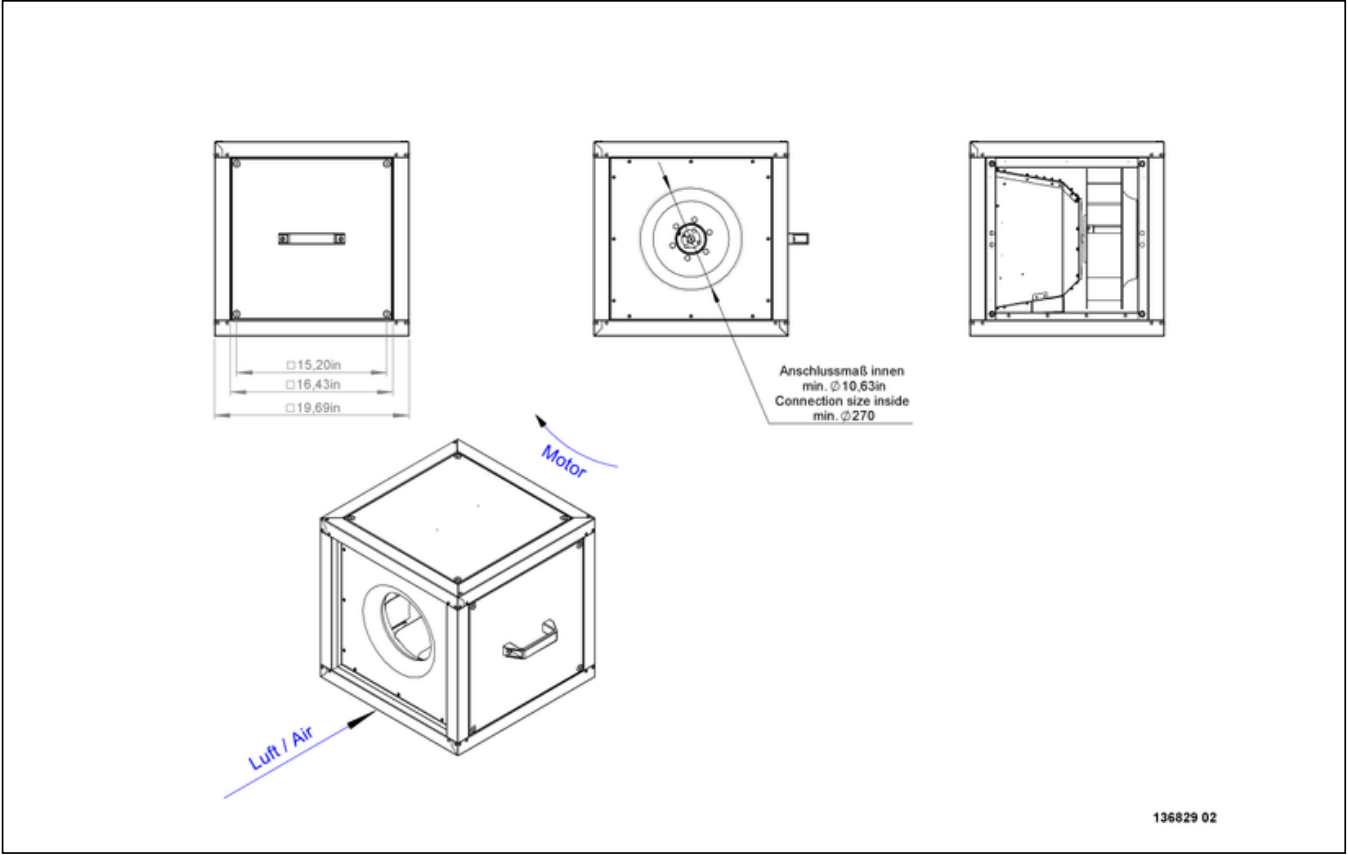
MPC 315 E2 T21

136829



MPC 315 E2 T21

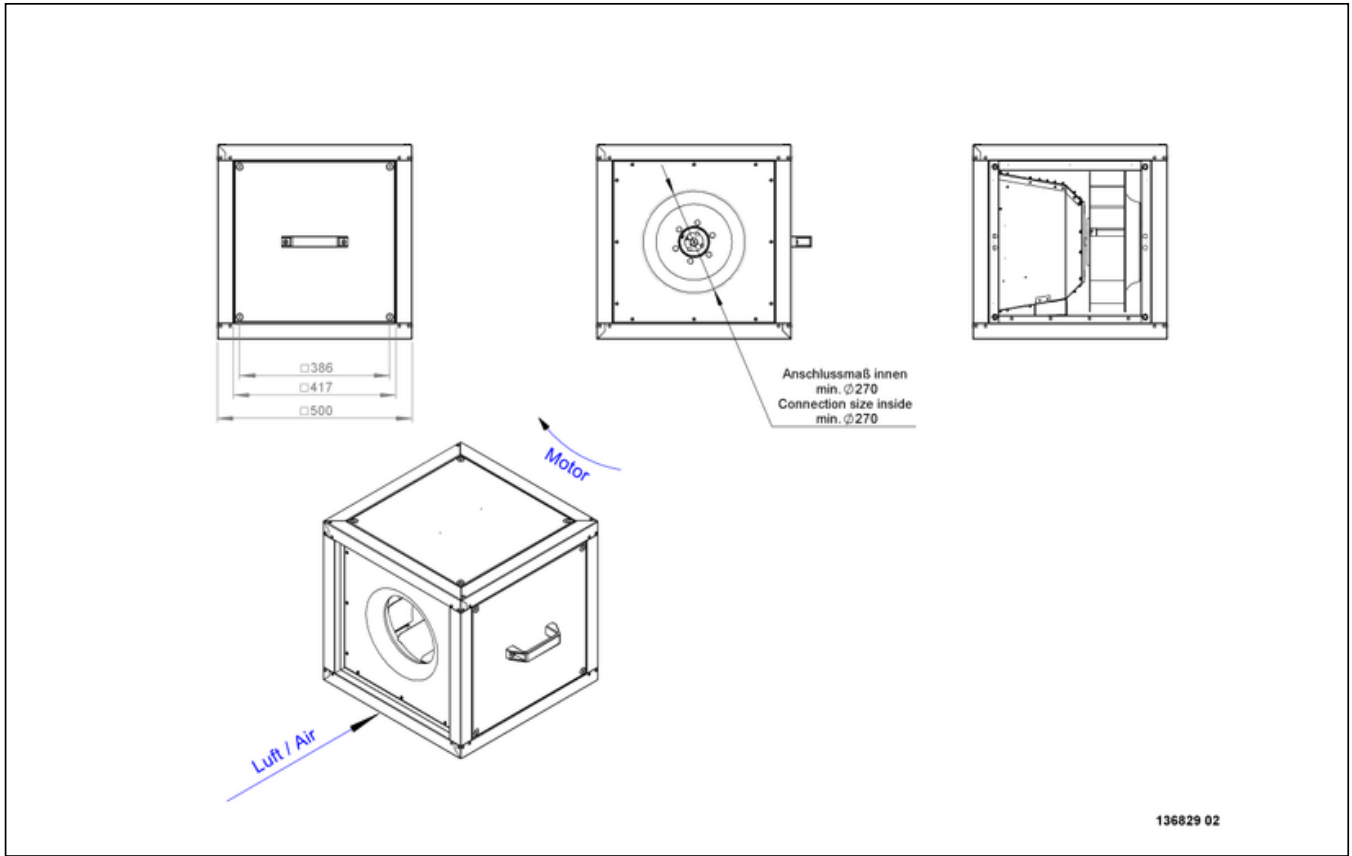
136829



zur Produktseite

MPC 315 E2 T21

136829



MPC 315 E2 T21

136829

MECHANICAL ACCESSORIES

FB 500 | 160864



- Air filter box for panel filter
- For MPC box 500
- For 1 or 2 filter (not included)
- Housing made of galvanized sheet steel

USM 500 315 | 107181



- Transition spigot
- Galvanized steel sheet
- Insulated

USM 500 355 | 107182



- Transition spigot
- Galvanized steel sheet
- Insulated

MB MPC 01 | 116411



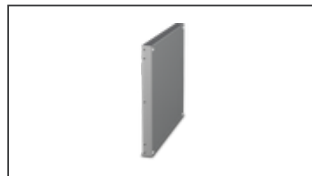
- Motor protection shield
- Sendzimir galvanized sheet

GR MPC 01 | 123430



- Base frame für MPC
- Galvanized steel sheet

UCP 500 | 142567



- Closed panel
- Galvanized steel sheet

UQR 500 315 01 | 136201



- Transition duct/tube
- Galvanized steel sheet
- Incl. 4 cylinder cap screws (M8 x 16 mm), 4 serrated lock washers for nominal size M8

UQR 500 250 01 | 136232



- Transition duct/tube
- Galvanized steel sheet
- Incl. 4 cylinder cap screws (M8 x 16 mm), 4 serrated lock washers for nominal size M8

VM 355 | 102653



- Fast clamps for sound decoupling and sealing
- Galvanized steel sheet, 5 mm
- Neopren gasket
- 1 Pack = 2 pieces

AS MPC 315 | 140844



- Inlet spigot
- Galvanized steel sheet

AS MPC 355 | 140956



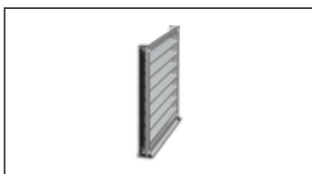
- Inlet spigot
- Galvanized steel sheet

WSH MPC 01 | 123431



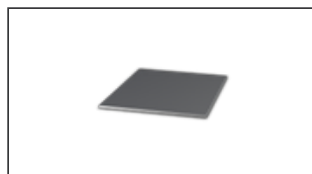
- Weather protection hood
- Galvanized steel sheet

WSG MPC 500 | 140741



- Weather protection grille
- Galvanized steel sheet

RD MPC 500 | 140073



- Rain cover for outdoor installation
- Galvanized steel sheet

VM 315 | 102652



- Fast clamps for sound decoupling and sealing
- Galvanized steel sheet, 5 mm
- Neopren gasket
- 1 Pack = 2 pieces



zur Produktseite

MPC 315 E2 T21

136829

ELECTRICAL ACCESSORIES

GS 01 | 102787



- Isolator switch
- $U_{max} = 400\text{ V}$, 50/60 Hz
- Switching capacity 400 V 3~ = 5,5 kW
- $I_{max} = 16\text{ A}$

TEM 100 | 103511



- 5-step transformer
- 230 V, 50/60 Hz, 10 A
- Output voltage: 230-190-170-140-110-80-0 V
- Protection class IP 54

TEM 100G | 109069



- 5-step transformer
- 230 V ~, 50/60 Hz

TES 100 02 | 146198



- 5-step transformer
- 230 V, 50/60 Hz, 10 A
- Without housing, control cabinet installation
- Protection class IP 20



zur Produktseite