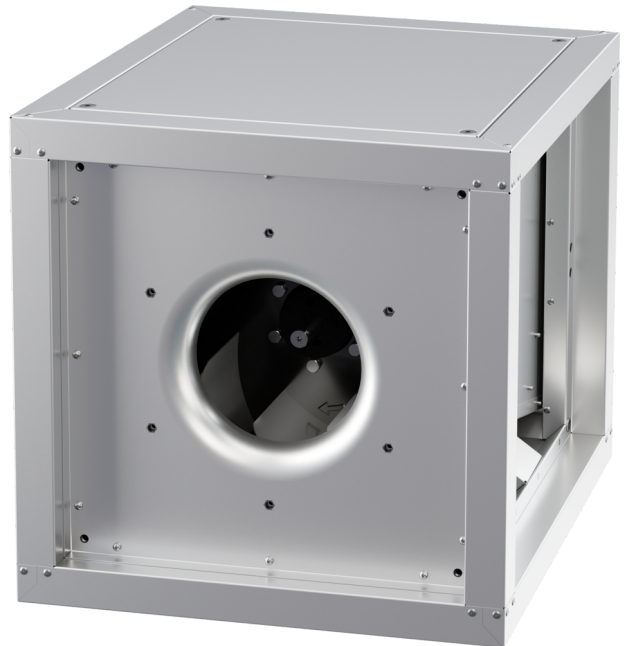


# MPC 280 EC T30

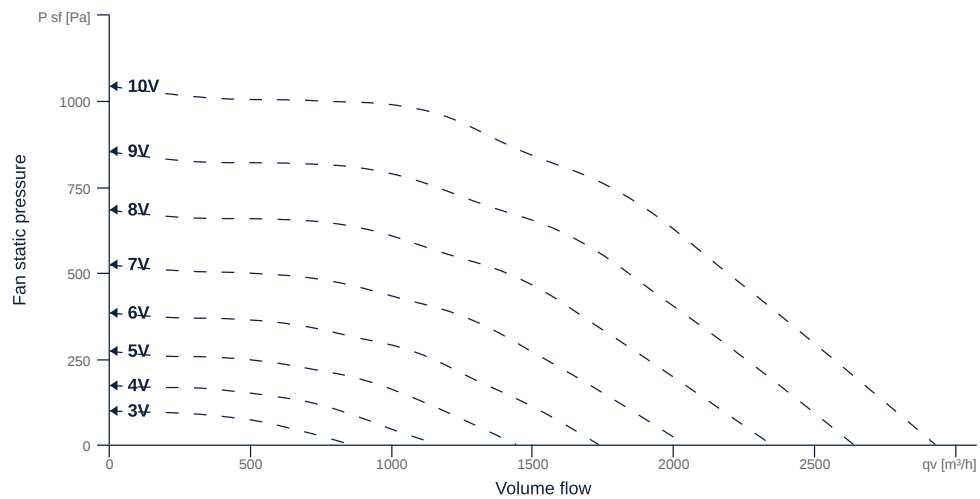
143079

- Backward curved radial impeller
- Removable side walls, variable discharge direction
- Sheet steel housing double-walled, 30 mm mineral wool
- EC motor outside the airflow, controllable
- Conveyed medium temperature up to 120 °C in continuous operation
- Housing bottom designed with integrated drain



## MAP

Name	Value	Unit
Volume flow	0	m³/h
Pressure	0	Pa



zur Produktseite

# MPC 280 EC T30

143079

**ruck**

## GENERAL DATA

Name	Value	Unit	Formula symbol
ERP conformity	Yes		
Certifications	CE, UKCA		
Duct size	-		WxH <sub>duct</sub>
Pipe connection size (DN)	DN355		DN
Rated voltage (entire device)	230	V	U <sub>rated</sub>
Phases (entire device)	1~		phase
Electrical protection (entire device)	6 A		fuse
Housing material	Galvanized steel		mat <sub>casing</sub>
Impeller material	Steel		mat <sub>impeller</sub>
Weight	33.5	kg	m
Nominal air flow rate, nominal point m <sup>3</sup> /h	2257.2	m <sup>3</sup> /h	q <sub>v,nom</sub>
Nominal external pressure, static	455	Pa	p <sub>s,nom</sub>
Fan type	Radial		Fan <sub>type</sub>
Category / Installation situation	A		cat

## ERP DATA (LOT 6)

Name	Value	Unit	Formula symbol
Nominal air flow rate, nominal point m <sup>3</sup> /s	0.63	m <sup>3</sup> /s	q <sub>v,nom</sub>
Actual electrical input power, nominal point	0.71	kW	P <sub>e,nom</sub>
Face velocity, nominal point	4.64	m/s	V <sub>nom</sub>
Nominal external pressure, static	455	Pa	p <sub>s,nom</sub>
static efficiency of the extract fan, nominal point	39.94	%	η <sub>es,EHA</sub>
Highest external air leakage rate	0.12	%	
Enclosure sound level, nominal point	77.03	dB(A)	L <sub>WA2</sub>
Rating	Product is compliant 2018		

zur Produktseite



# MPC 280 EC T30

143079

**ruck**

## MAXIMAL DATA

Name	Value		Unit	Formula symbol
	50 Hz	60 Hz		
Max. power consumption (device)	765	765	W	$P_{ed, max}$
Max. operating current (device)	3.56	3.56	A	$I_{ed, max}$
Max. speed	3000	3000	1/min	$n_{max}$
Max. stat. efficiency	46.1	46.1	%	$\eta_{es}$
Max. fan efficiency	46.6	46.6	%	$\eta_e$
Max. flowrate	2930	2930	m <sup>3</sup> /h	$Q_{v, max}$
Max. stat pressure	1040	1040	Pa	$p_{sf, max}$
Max. medium temperature	120	120	°C	$T_{m, max}$
Max. environment temperature	50	50	°C	$T_{amb, max}$
Min. environment temperature	-20	-20	°C	$T_{amb, min}$

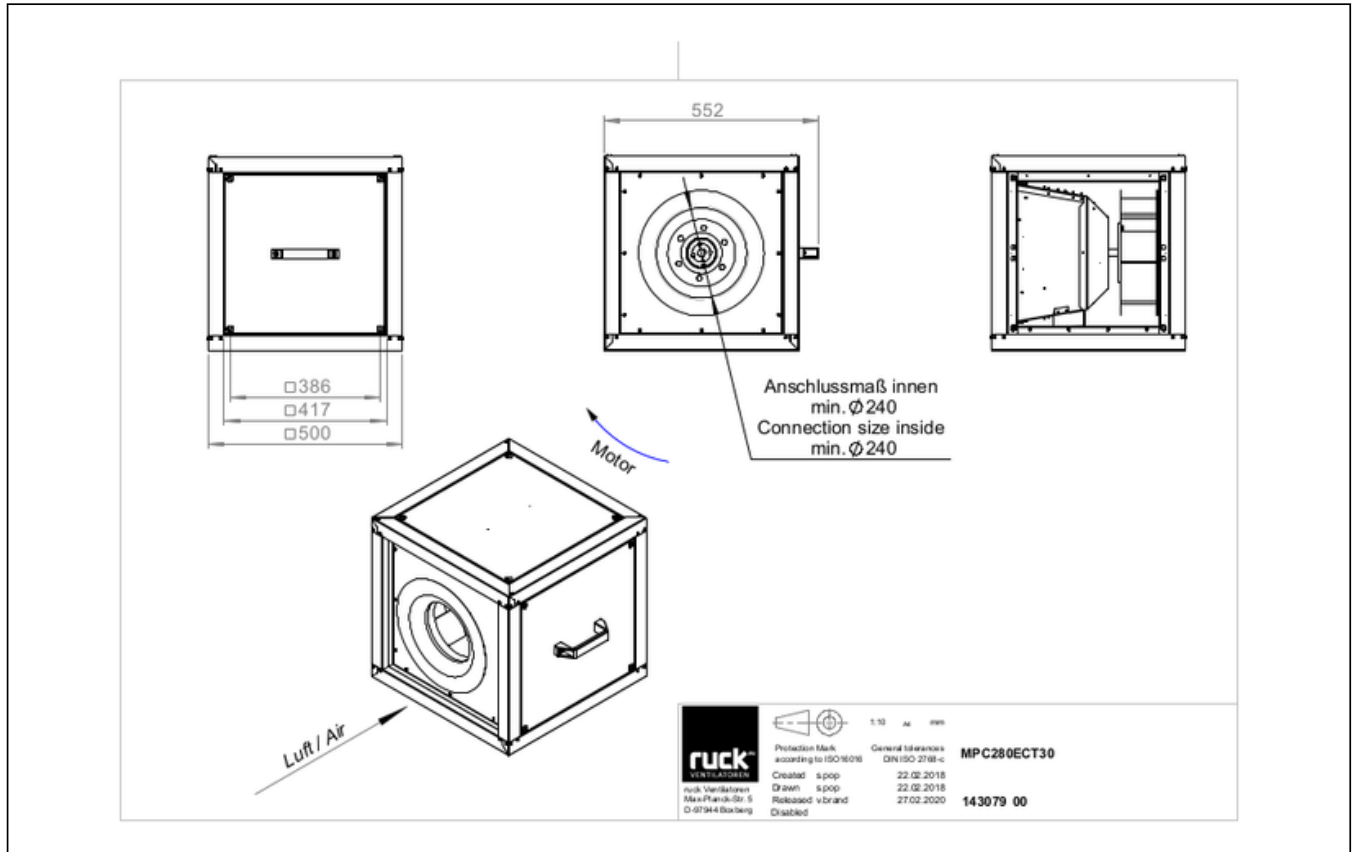


zur Produktseite

# MPC 280 EC T30

143079

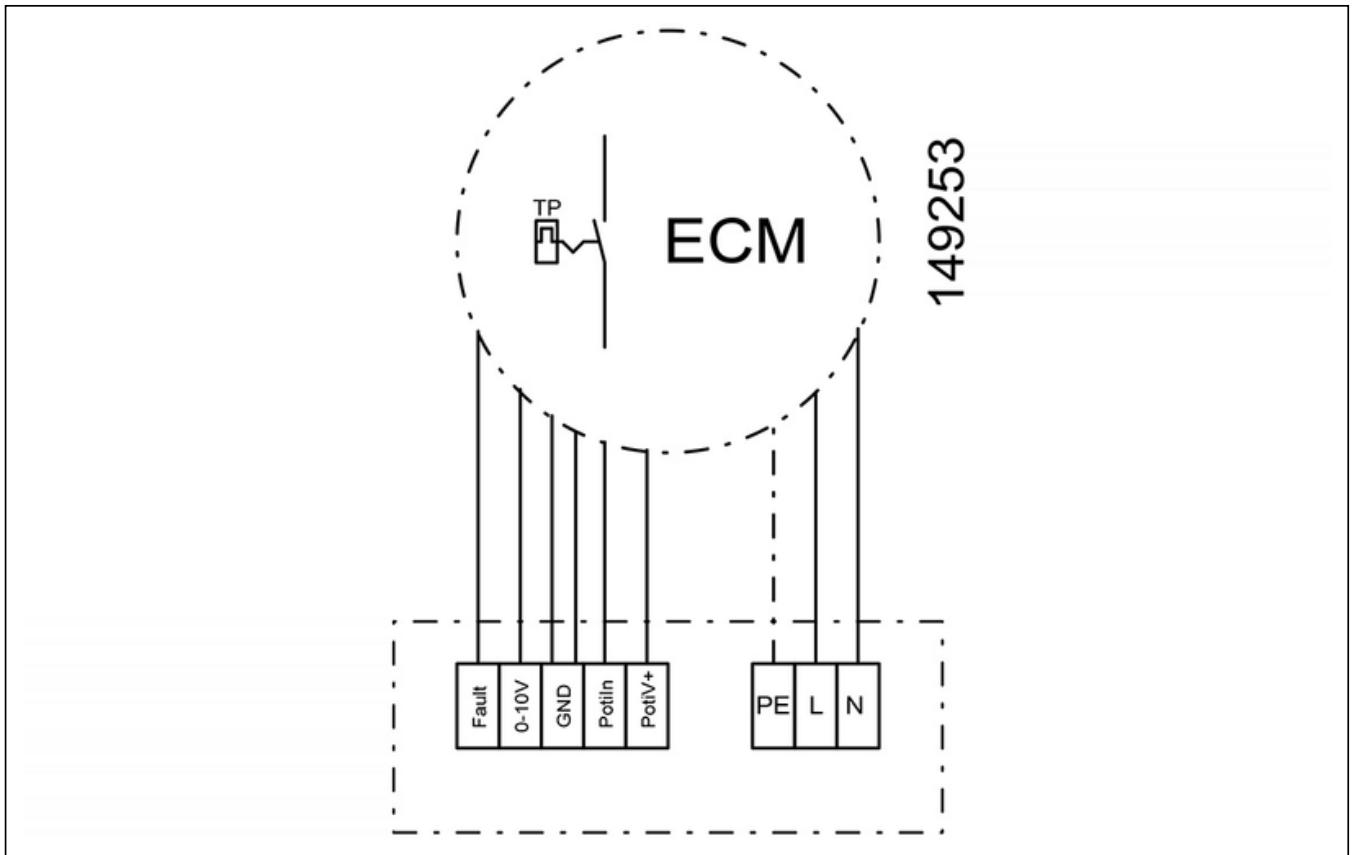
## SCHALTPLÄNE / MASSZEICHNUNGEN



zur Produktseite

# MPC 280 EC T30

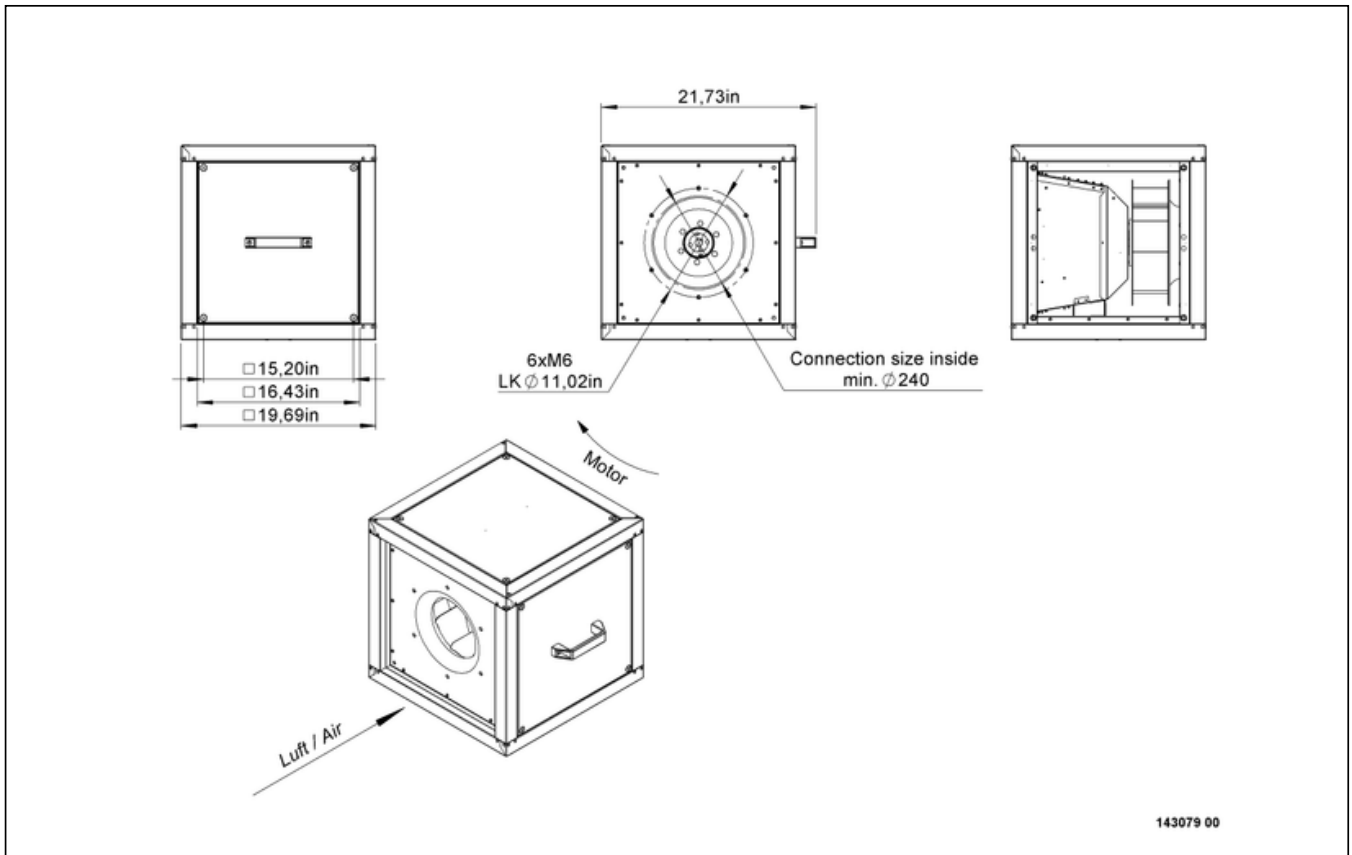
143079



zur Produktseite

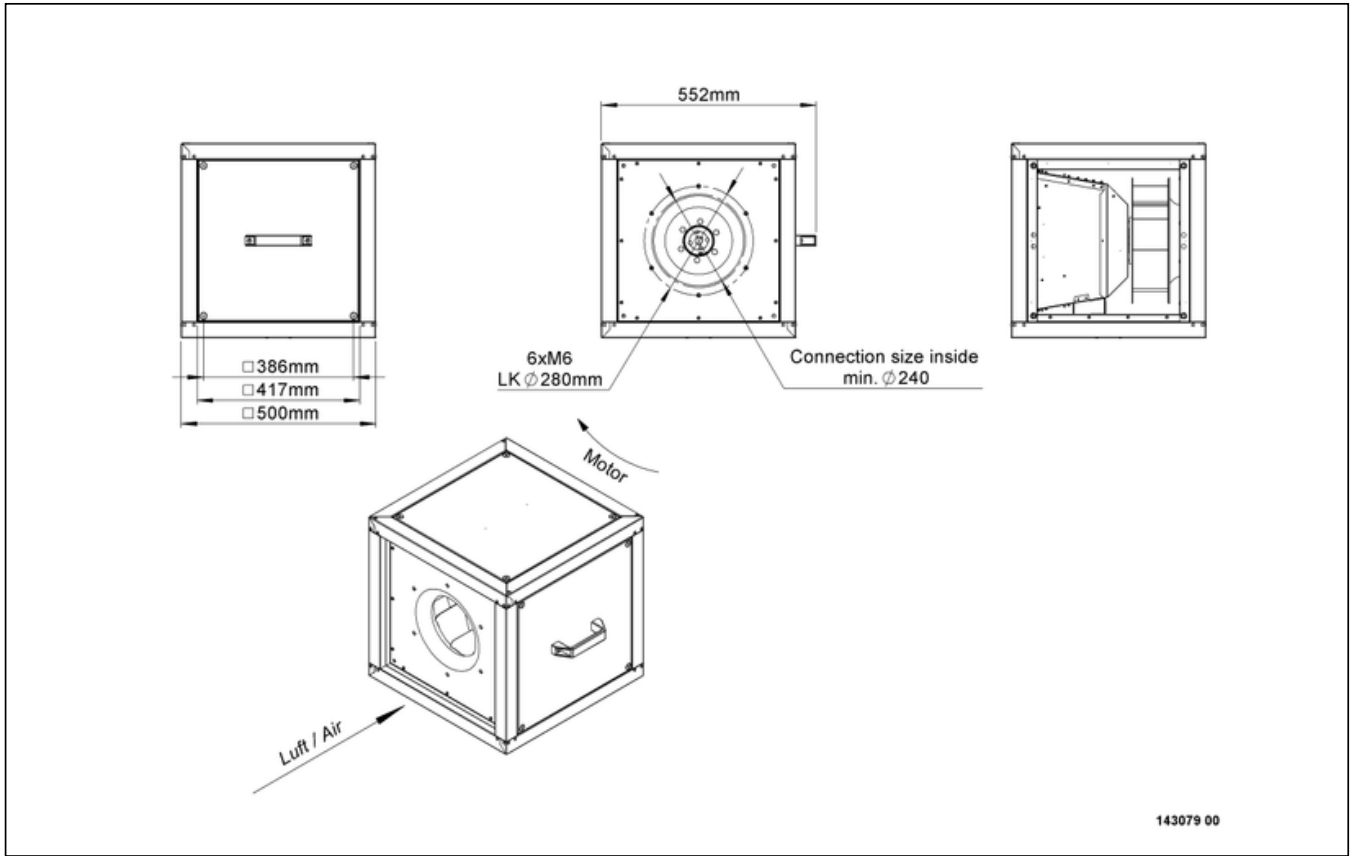
# MPC 280 EC T30

143079



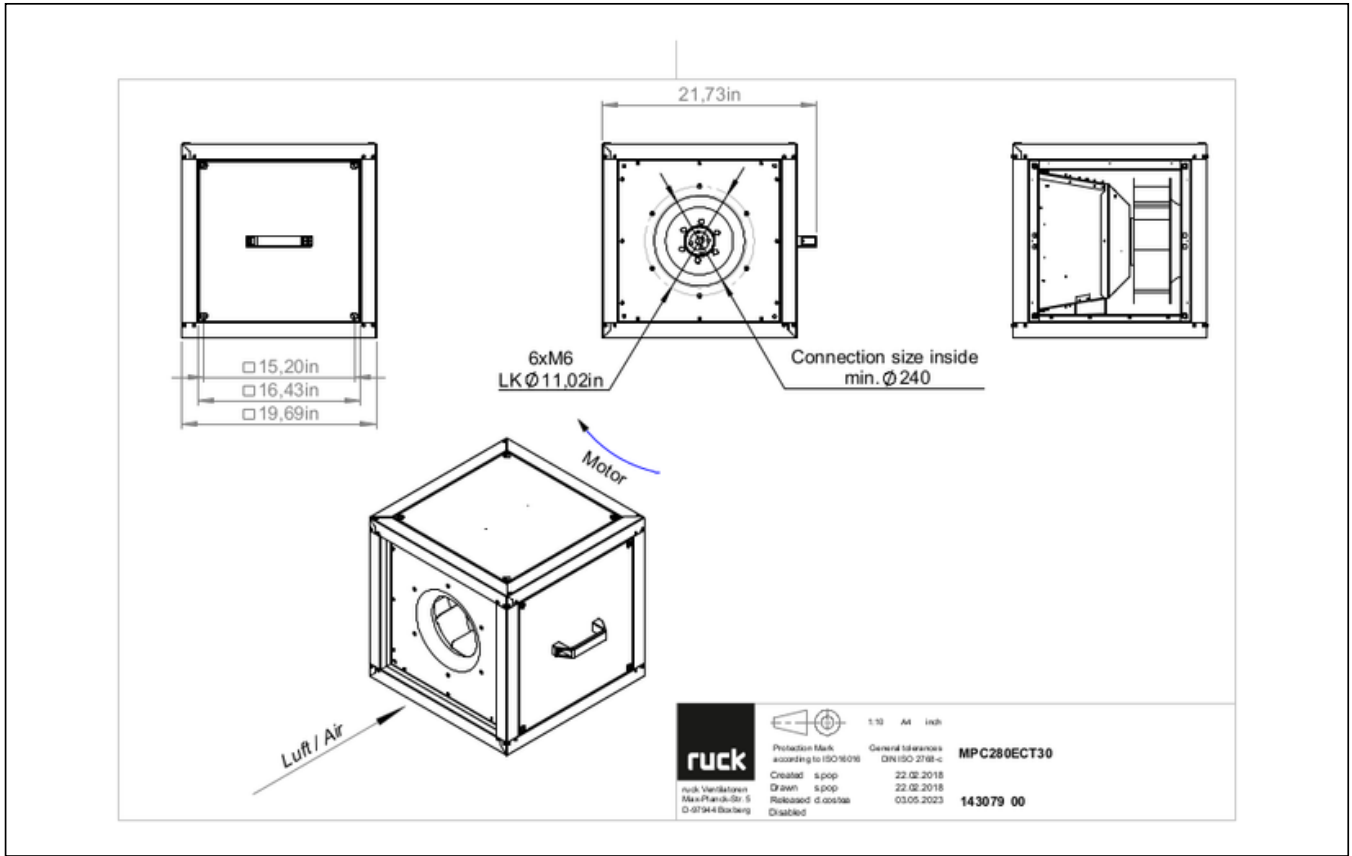
# MPC 280 EC T30

143079



# MPC 280 EC T30

143079



zur Produktseite



## MECHANICAL ACCESSORIES

**FB 500 | 160864**



- Air filter box for panel filter
- For MPC box 500
- For 1 or 2 filter (not included)
- Housing made of galvanized sheet steel

**USM 500 315 | 107181**



- Transition spigot
- Galvanized steel sheet
- Insulated

**USM 500 355 | 107182**



- Transition spigot
- Galvanized steel sheet
- Insulated

**MB MPC 01 | 116411**



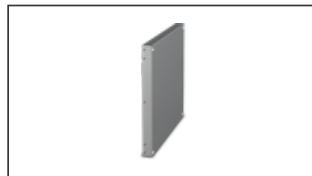
- Motor protection shield
- Sendzimir galvanized sheet

**GR MPC 01 | 123430**



- Base frame für MPC
- Galvanized steel sheet

**UCP 500 | 142567**



- Closed panel
- Galvanized steel sheet

**UQR 500 315 01 | 136201**



- Transition duct/tube
- Galvanized steel sheet
- Incl. 4 cylinder cap screws (M8 x 16 mm), 4 serrated lock washers for nominal size M8

**UQR 500 250 01 | 136232**



- Transition duct/tube
- Galvanized steel sheet
- Incl. 4 cylinder cap screws (M8 x 16 mm), 4 serrated lock washers for nominal size M8

**VM 250 | 102651**



- Fast clamps for sound decoupling and sealing
- Galvanized steel sheet, 5 mm
- Neopren gasket
- 1 Pack = 2 pieces

**VM 355 | 102653**



- Fast clamps for sound decoupling and sealing
- Galvanized steel sheet, 5 mm
- Neopren gasket
- 1 Pack = 2 pieces

**AS MPC 250 | 140836**



- Inlet spigot
- Galvanized steel sheet

**AS MPC 315 | 140844**



- Inlet spigot
- Galvanized steel sheet

**AS MPC 355 | 140956**



- Inlet spigot
- Galvanized steel sheet

**WSH MPC 01 | 123431**



- Weather protection hood
- Galvanized steel sheet

**WSG MPC 500 | 140741**



- Weather protection grille
- Galvanized steel sheet

**RD MPC 500 | 140073**



- Rain cover for outdoor installation
- Galvanized steel sheet

**VM 315 | 102652**



zur Produktseite

# MPC 280 EC T30

143079



- Fast clamps for sound decoupling and sealing
- Galvanized steel sheet, 5 mm
- Neopren gasket
- 1 Pack = 2 pieces

## ELECTRICAL ACCESSORIES

### GS 03 | 107633



- Device switch
- $U_{max} = 400\text{ V}$ ,  $I_{max} = 25\text{ A}$
- Switching capacity  $400\text{ V } 3\text{-} = 5,5\text{ kW}$
- Protection class IP 55

### MTP 20 | 128146



- Potentiometer 10 k $\Omega$
- Switching contact 1A/250V AC - 2,5A/12V DC
- Max. ambient temperature 50 °C
- VDE

### MTP 30 | 143289



- Stepped potentiometer 10 k $\Omega$
- Step 1 + 2 settable 10 % - 100 % Vdc
- Step 3 100 % Vdc
- Supply voltage +10 Vdc

### MTP 40 | 147359



- Potentiometer 10 k $\Omega$
- Connection in terminal box
- Max. ambient temperature 50 °C
- PU: 20 pieces

### SEN AIR | 148641



- Airflow and temperature transducer
- Measuring range temperature 0...+50 °C
- With adjustable switching threshold (air speed)
- Measuring range air velocity up to 20 m/s

### CON P1000 | 115259



- Constant pressure control
- Actual value display possible via optional control unit
- Output 0-10 V DC + FC enable + setpoint reached
- Pressure setting by means of decade switch

### MTP 50 | 153133



- Potentiometer with multifunction output
- 230 VAC  $\pm 10\%$  / 50-60 Hz
- Selectable output: 1-10 VDC / 2-20 mA / 10-100 % PWM
- Min. and max. output value adjustable



zur Produktseite