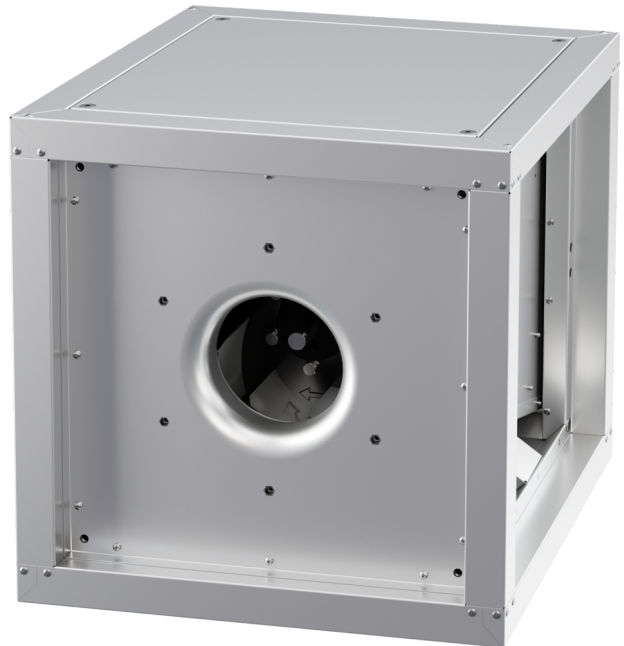


# MPC 280 E2 T20

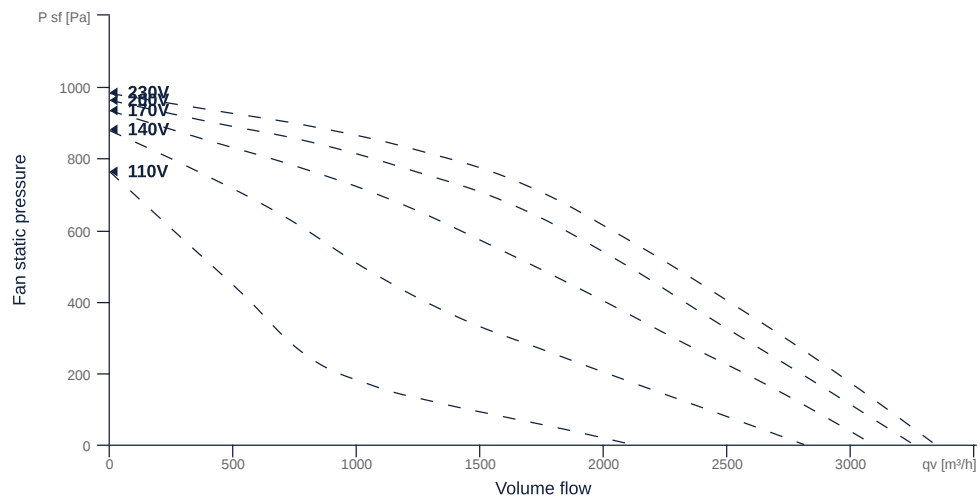
126681

- Backward curved radial impeller
- Removable side walls, variable discharge direction
- Sheet steel housing double-walled, 30 mm mineral wool
- AC motor outside the airflow, controllable
- Conveyed medium temperature up to 80 °C in continuous operation
- Housing bottom designed with integrated drain



## MAP

Name	Value	Unit
Volume flow	0	m³/h
Pressure	0	Pa



zur Produktseite

# MPC 280 E2 T20

126681

ruck

## GENERAL DATA

Name	Value	Unit	Formula symbol
ERP conformity	Yes		
Certifications	none		
Duct size	-		WxH <sub>duct</sub>
Pipe connection size (DN)	DN355		DN
Rated voltage (entire device)	230	V	U <sub>rated</sub>
Phases (entire device)	1~		phase
Electrical protection (entire device)	6 A		fuse
Housing material	Galvanized steel		mat <sub>casing</sub>
Impeller material	Steel		mat <sub>impeller</sub>
Weight	46	kg	m
Nominal air flow rate, nominal point m <sup>3</sup> /h	2570.4	m <sup>3</sup> /h	q <sub>v,nom</sub>
Nominal external pressure, static	371	Pa	p <sub>s,nom</sub>
Fan type	Radial		Fan <sub>type</sub>
Category / Installation situation	A		cat

## ERP DATA (LOT 6)

Name	Value	Unit	Formula symbol
Nominal air flow rate, nominal point m <sup>3</sup> /s	0.71	m <sup>3</sup> /s	q <sub>v,nom</sub>
Actual electrical input power, nominal point	0.67	kW	P <sub>e,nom</sub>
Face velocity, nominal point	5.29	m/s	V <sub>nom</sub>
Nominal external pressure, static	371	Pa	p <sub>s,nom</sub>
static efficiency of the extract fan, nominal point	39.53	%	η <sub>es,EHA</sub>
Highest external air leakage rate	0.11	%	
Enclosure sound level, nominal point	75.61	dB(A)	L <sub>WA2</sub>
Rating	Product is compliant 2018		

zur Produktseite



# MPC 280 E2 T20

126681

**ruck**

## MAXIMAL DATA

Name	Value	Unit	Formula symbol
Max. power consumption (device)	703	W	$P_{ed, max}$
Max. operating current (device)	4.09	A	$I_{ed, max}$
Max. speed	2910	1/min	$n_{max}$
Max. stat. efficiency	46.9	%	$\eta_{es}$
Max. fan efficiency	47.4	%	$\eta_e$
Max. flowrate	3340	m <sup>3</sup> /h	$Q_v, max$
Max. stat pressure	980	Pa	$p_{sf, max}$
Max. medium temperature	80	°C	$T_m, max$
Max. environment temperature	75	°C	$T_{amb, max}$
Min. environment temperature	-25	°C	$T_{amb, min}$
Min. voltage	110	V	$U_{min}$

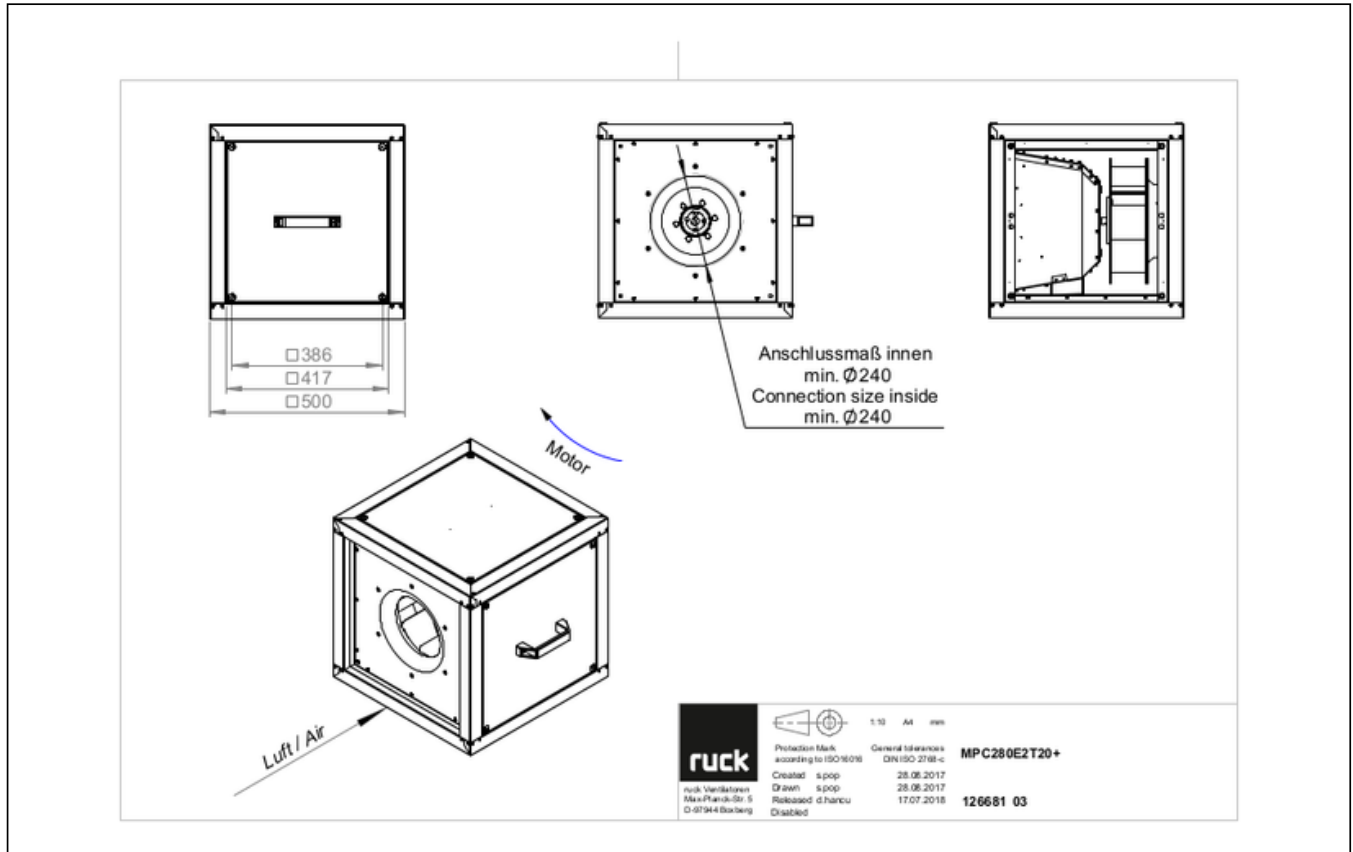


zur Produktseite

# MPC 280 E2 T20

126681

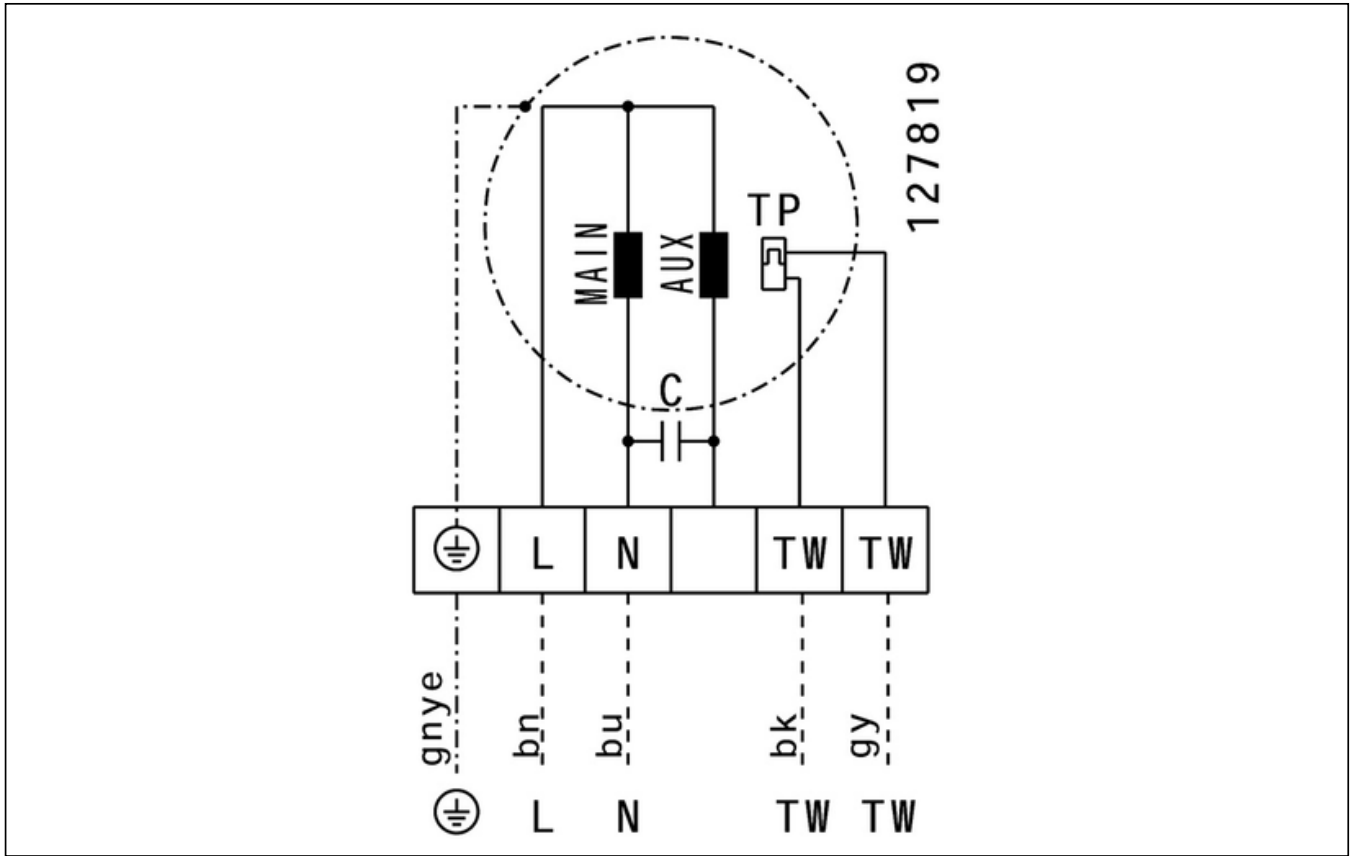
## SCHALTPLÄNE / MASSZEICHNUNGEN



zur Produktseite

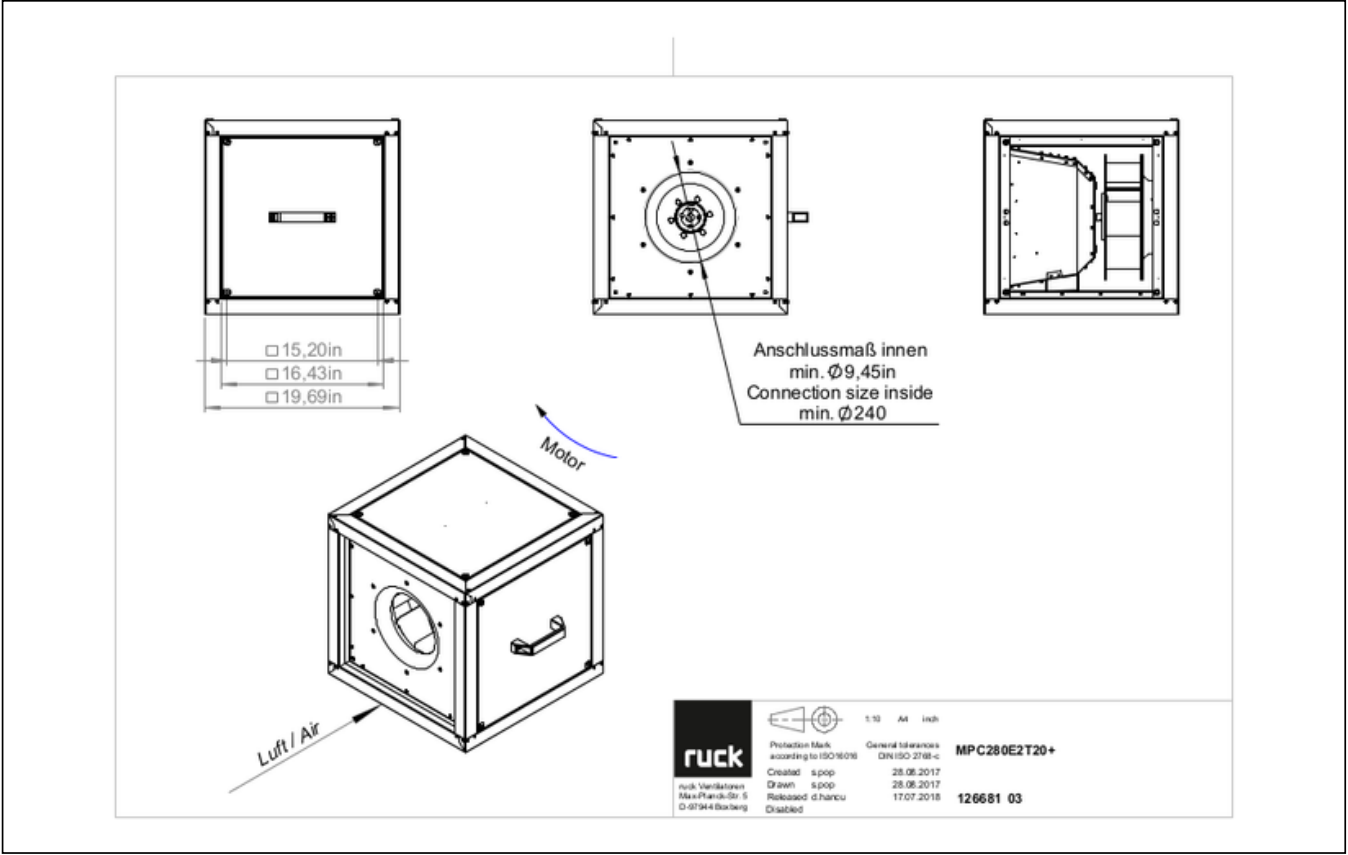
# MPC 280 E2 T20

126681



# MPC 280 E2 T20

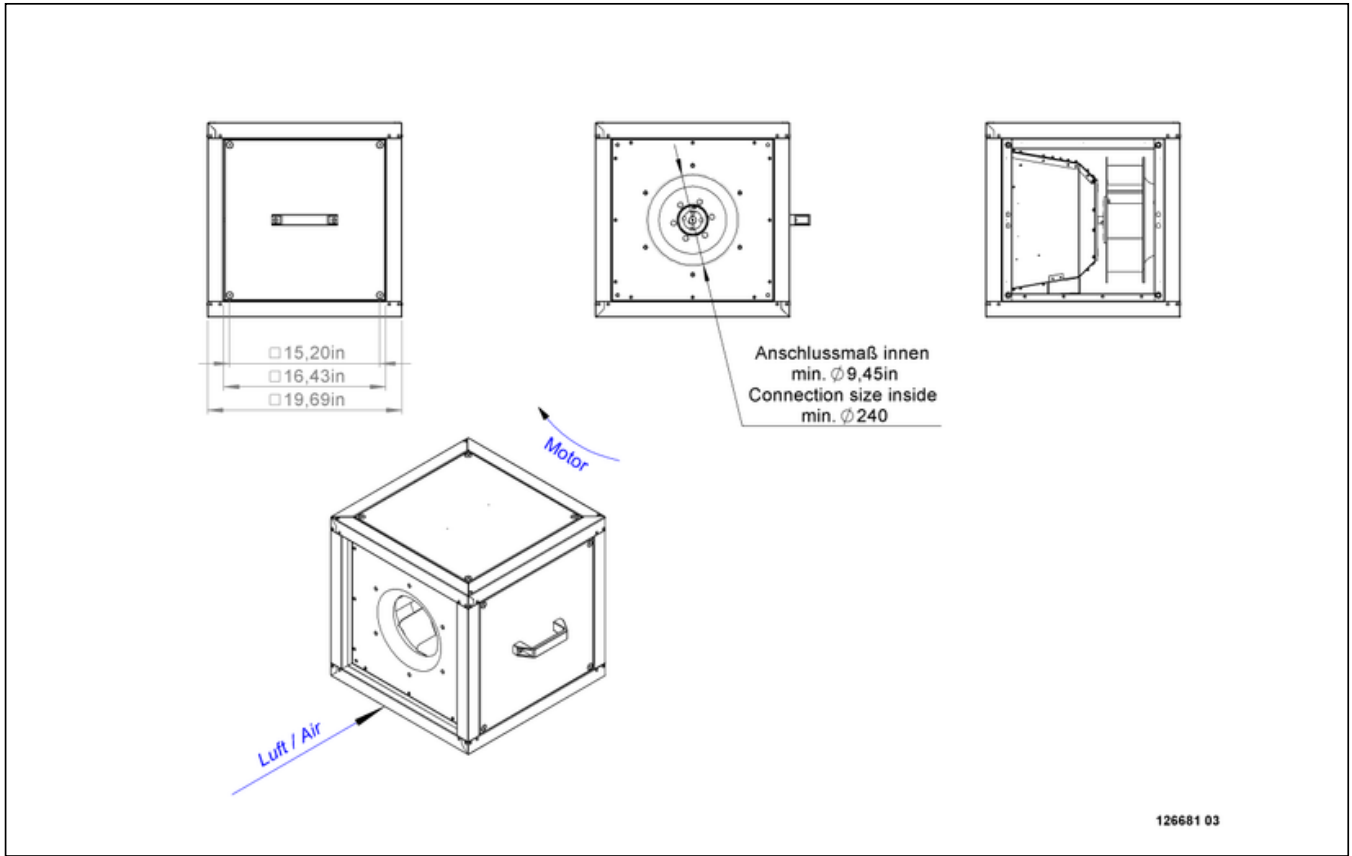
126681



zur Produktseite

**MPC 280 E2 T20**

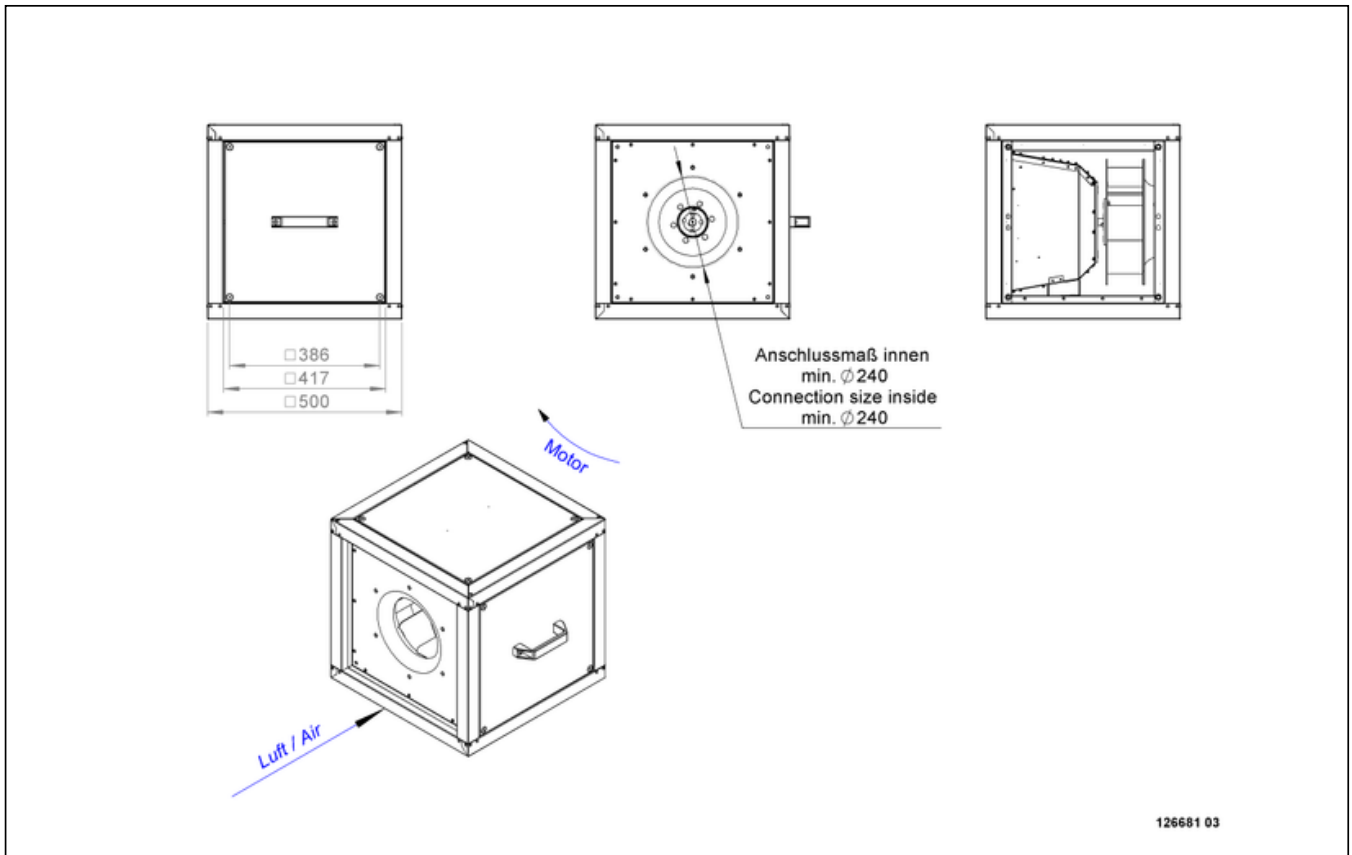
126681



zur Produktseite

**MPC 280 E2 T20**

126681



zur Produktseite

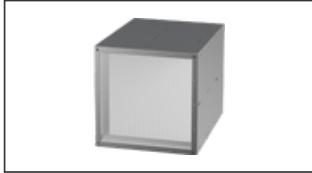


# MPC 280 E2 T20

126681

## MECHANICAL ACCESSORIES

**FB 500 | 160864**



- Air filter box for panel filter
- For MPC box 500
- For 1 or 2 filter (not included)
- Housing made of galvanized sheet steel

**USM 500 315 | 107181**



- Transition spigot
- Galvanized steel sheet
- Insulated

**USM 500 355 | 107182**



- Transition spigot
- Galvanized steel sheet
- Insulated

**MB MPC 01 | 116411**



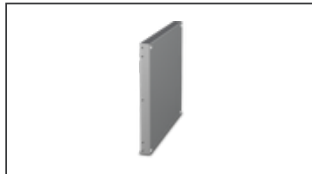
- Motor protection shield
- Sendzimir galvanized sheet

**GR MPC 01 | 123430**



- Base frame für MPC
- Galvanized steel sheet

**UCP 500 | 142567**



- Closed panel
- Galvanized steel sheet

**UQR 500 315 01 | 136201**



- Transition duct/tube
- Galvanized steel sheet
- Incl. 4 cylinder cap screws (M8 x 16 mm), 4 serrated lock washers for nominal size M8

**UQR 500 250 01 | 136232**



- Transition duct/tube
- Galvanized steel sheet
- Incl. 4 cylinder cap screws (M8 x 16 mm), 4 serrated lock washers for nominal size M8

**AS MPC 250 | 140836**



- Inlet spigot
- Galvanized steel sheet

**AS MPC 315 | 140844**



- Inlet spigot
- Galvanized steel sheet

**AS MPC 355 | 140956**



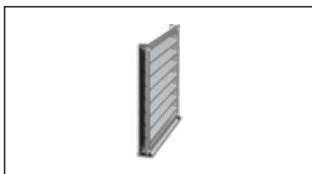
- Inlet spigot
- Galvanized steel sheet

**WSH MPC 01 | 123431**



- Weather protection hood
- Galvanized steel sheet

**WSG MPC 500 | 140741**



- Weather protection grille
- Galvanized steel sheet



zur Produktseite

# MPC 280 E2 T20

126681

## ELECTRICAL ACCESSORIES

GS 01 | 102787



- Isolator switch
- U<sub>max</sub> = 400 V, 50/60 Hz
- Switching capacity 400 V 3~ = 5,5 kW
- I<sub>max</sub> = 16 A

TEM 050 | 103519



- 5-step transformer
- 230 V, 50/60 Hz, 5 A
- Output voltage: 230-190-170-140-110-80-0 V
- Protection class IP 54

TEM 050G | 109966



- 5-step transformer
- 230 V ~, 50/60 Hz

TES 050 02 | 146196



- 5-step transformer
- 230 V, 50/60 Hz, 5 A
- Without housing, control cabinet installation
- Protection class IP 20



zur Produktseite