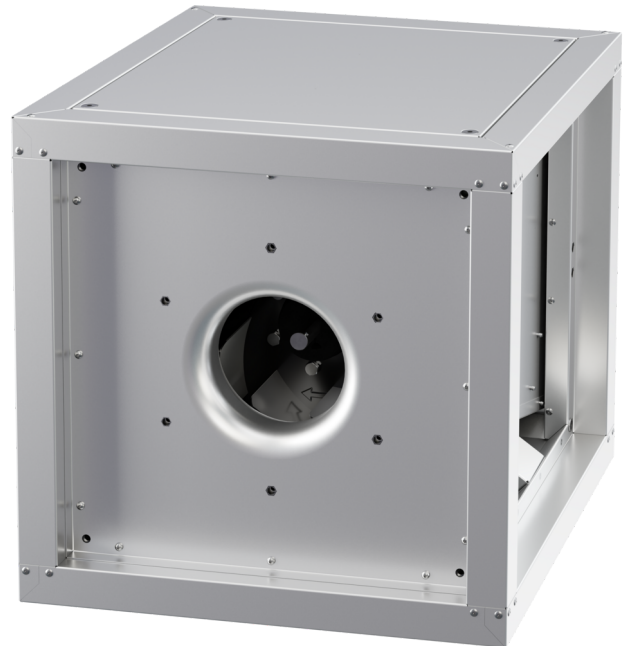


MPC 225 E2 T21

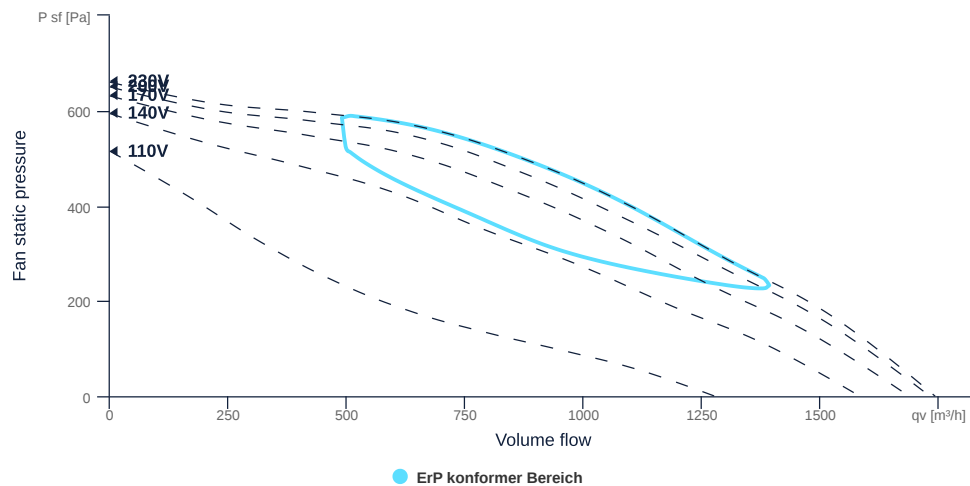
137885

- Backward curved radial impeller
- Removable side walls, variable discharge direction
- Sheet steel housing double-walled, 30 mm mineral wool
- AC motor outside the airflow, controllable
- Conveyed medium temperature up to 80 °C in continuous operation
- Housing bottom designed with integrated drain



MAP

Name	Value	Unit
Volume flow	0	m³/h
Pressure	0	Pa



zur Produktseite

MPC 225 E2 T21

137885

ruck

GENERAL DATA

Name	Value	Unit	Formula symbol
ERP conformity	Yes		
Certifications	CE, UKCA		
Duct size	-		WxH _{duct}
Pipe connection size (DN)	DN355		DN
Rated voltage (entire device)	230	V	U _{rated}
Phases (entire device)	1~		phase
Electrical protection (entire device)	6 A		fuse
Housing material	Galvanized steel		mat _{casing}
Impeller material	Steel		mat _{impeller}
Weight	37.41	kg	m
Nominal air flow rate, nominal point m ³ /h	1393.2	m ³ /h	q _{v,nom}
Nominal external pressure, static	233	Pa	p _{s,nom}
Fan type	Radial		Fan _{type}
Category / Installation situation	A		cat

ERP DATA (LOT 6)

Name	Value	Unit	Formula symbol
Nominal air flow rate, nominal point m ³ /s	0.39	m ³ /s	q _{v,nom}
Actual electrical input power, nominal point	0.27	kW	P _{e,nom}
Face velocity, nominal point	2.86	m/s	V _{nom}
Nominal external pressure, static	233	Pa	p _{s,nom}
static efficiency of the extract fan, nominal point	33.8	%	η _{es,EHA}
Highest external air leakage rate	0.2	%	
Enclosure sound level, nominal point	68.06	dB(A)	L _{WA2}
Rating	Product is compliant 2018		

zur Produktseite



MPC 225 E2 T21

137885

MAXIMAL DATA

Name	Value	Unit	Formula symbol
Max. power consumption (device)	285	W	$P_{ed, max}$
Max. operating current (device)	2.14	A	$I_{ed, max}$
Max. speed	2920	1/min	n_{max}
Max. stat. efficiency	41	%	η_{es}
Max. fan efficiency	41.3	%	η_e
Max. flowrate	1740	m ³ /h	$q_{v, max}$
Max. stat pressure	660	Pa	$p_{sf, max}$
Max. medium temperature	80	°C	$T_{m, max}$
Max. environment temperature	80	°C	$T_{amb, max}$
Min. environment temperature	-25	°C	$T_{amb, min}$
Min. voltage	110	V	U_{min}

MOTOR DATA

Name	Value		Unit	Formula symbol
	50 Hz	60 Hz		
Rated frequency (device)		50		f
Motor type		AC 1~		phase
Control type		stepless-controlled		ctrltype
Installation type		IRM (In)		install
Rotation direction		right		rotation
Isolation class		ISO F		ISOclass
Motor-protection		TAO		protectmotor
Protection class		IP54		IPmotor
Is pole-changeable		No		polexch
Type of power supply		AC 1~		pwrSupmotor
Capacity capacitor		8	μF	Ccond
Voltage capacitor		400	V	VUcond
Number of poles (1)		2.000000		num polesw1
UL-Certification motor		None		ULcert

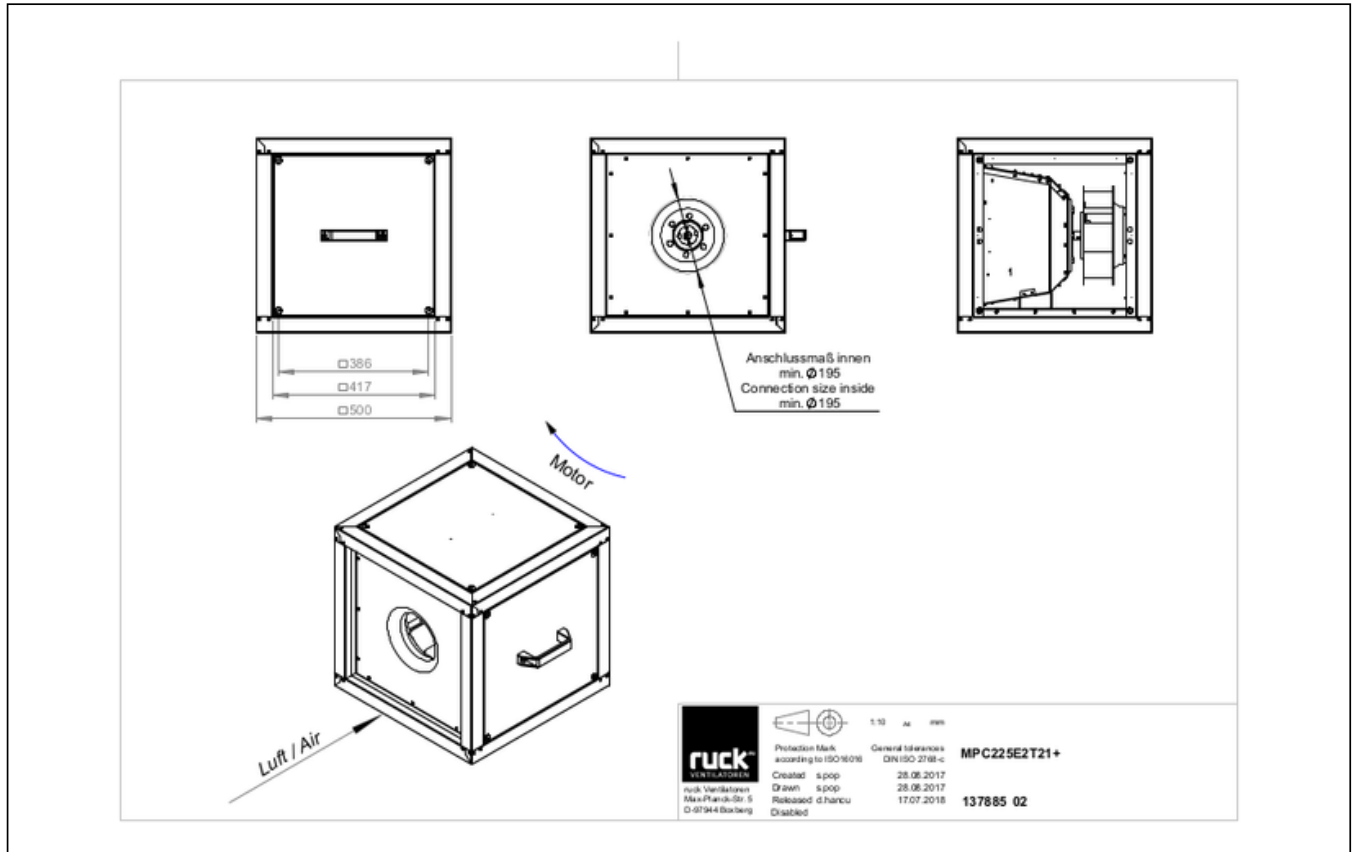
zur Produktseite



MPC 225 E2 T21

137885

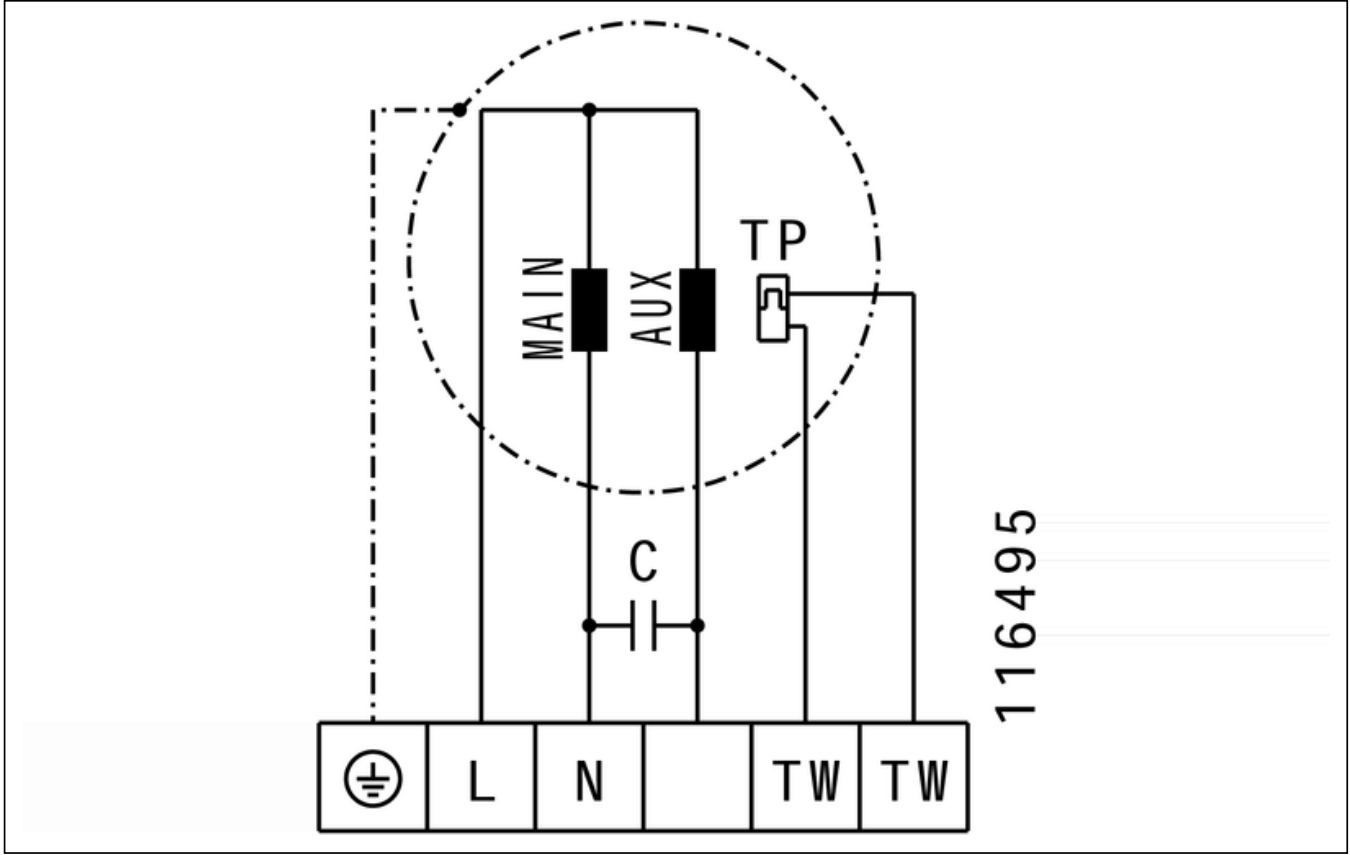
SCHALTPLÄNE / MASSZEICHNUNGEN



zur Produktseite

MPC 225 E2 T21

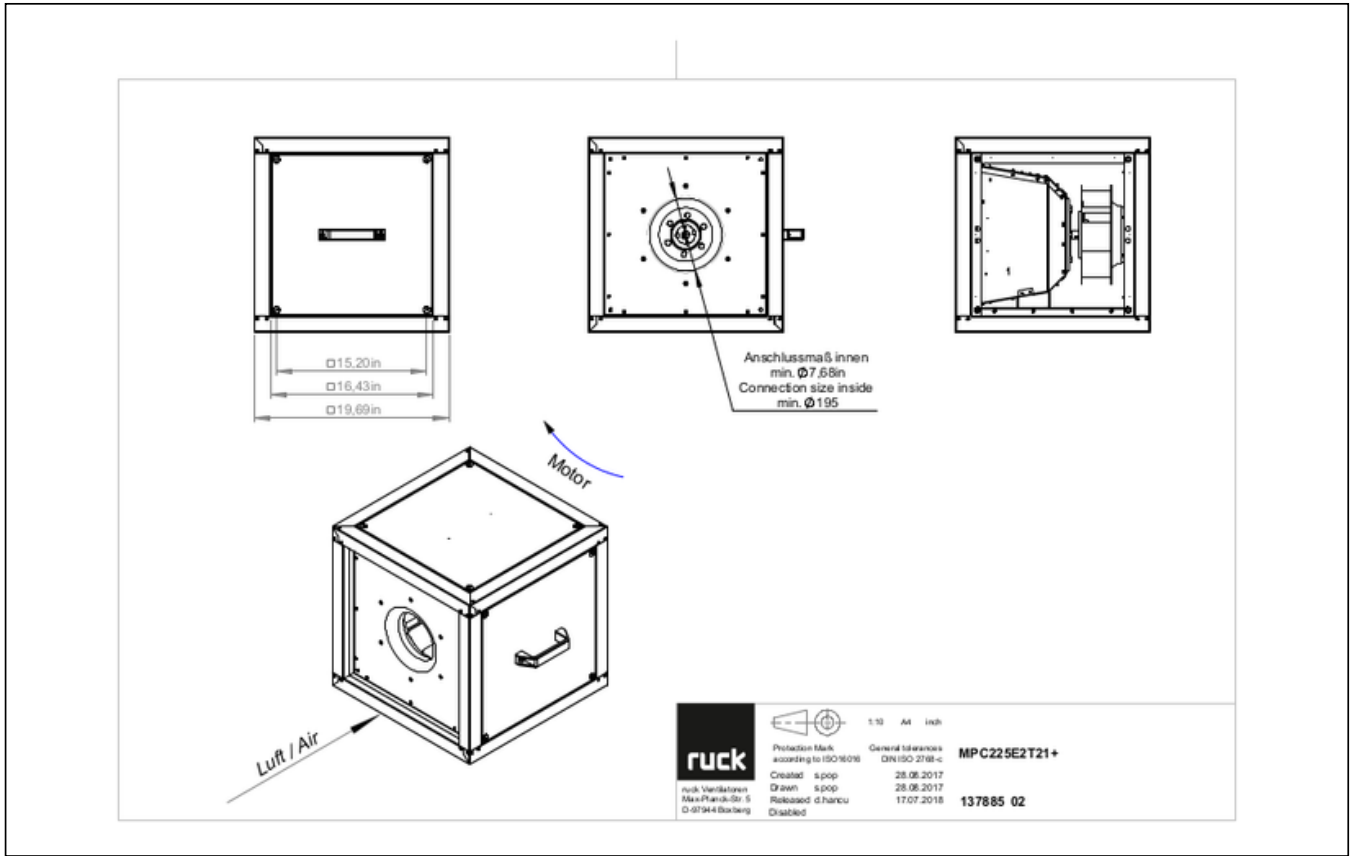
137885



zur Produktseite

MPC 225 E2 T21

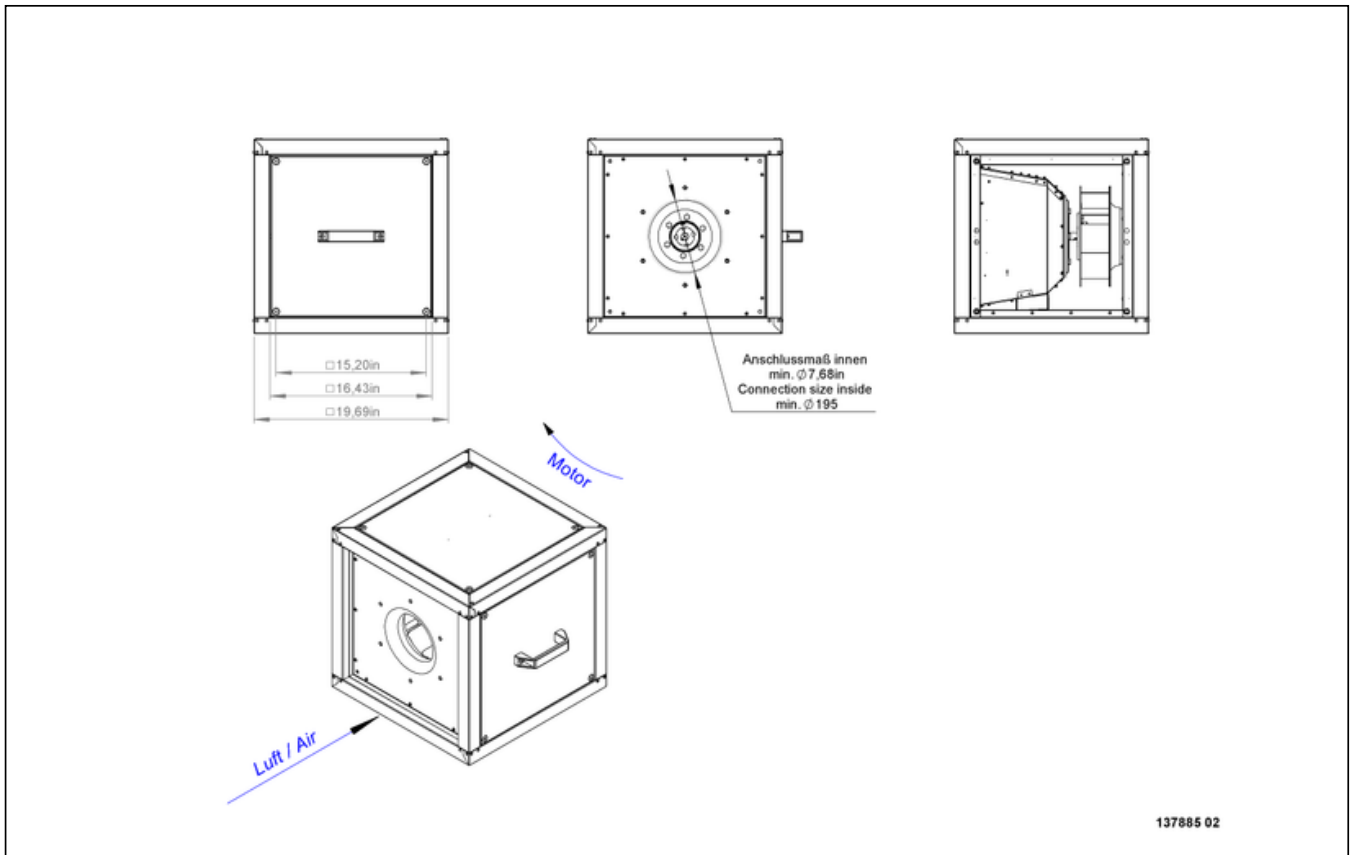
137885



zur Produktseite

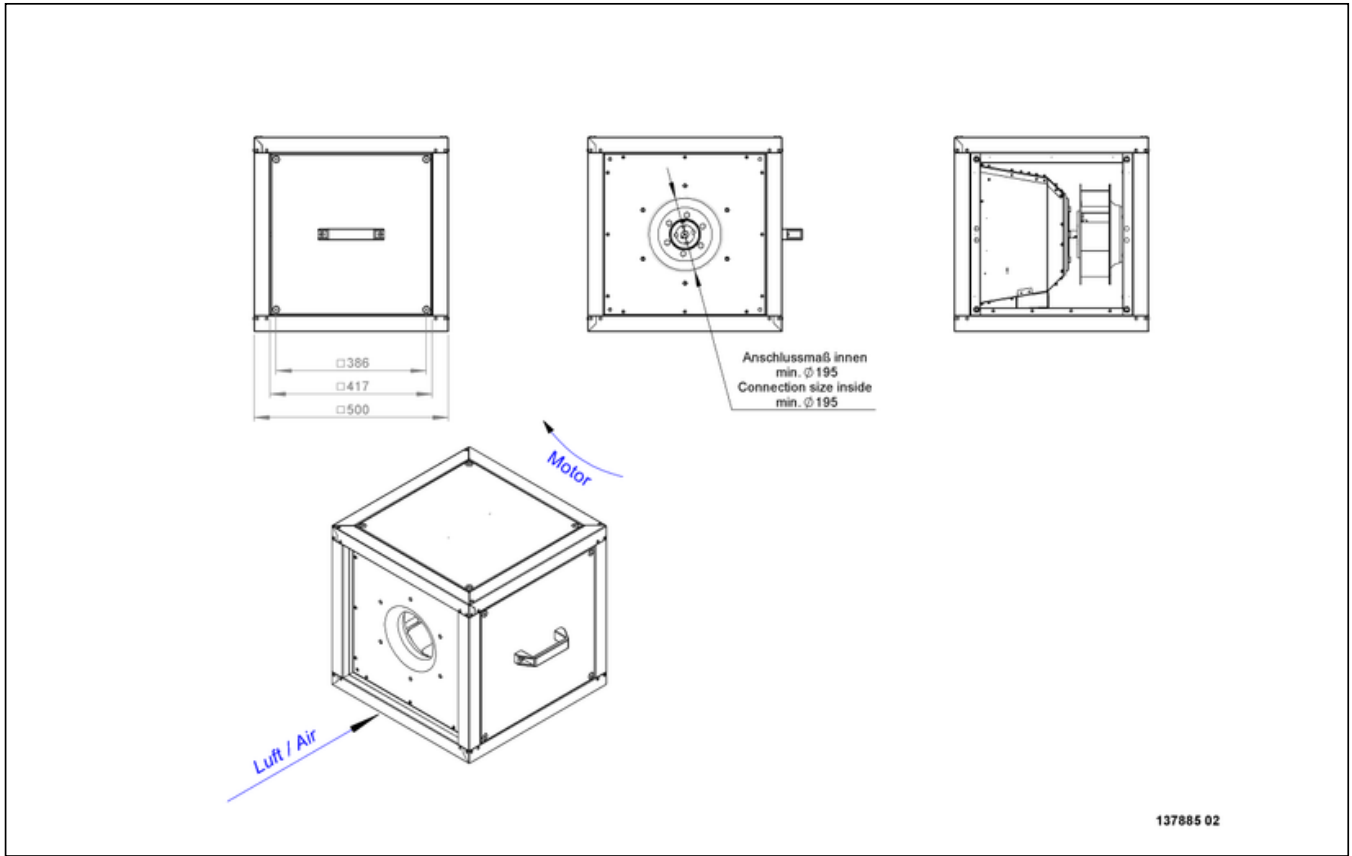
MPC 225 E2 T21

137885



MPC 225 E2 T21

137885



MPC 225 E2 T21

137885

MECHANICAL ACCESSORIES

FB 500 | 160864



- Air filter box for panel filter
- For MPC box 500
- For 1 or 2 filter (not included)
- Housing made of galvanized sheet steel

USM 500 315 | 107181



- Transition spigot
- Galvanized steel sheet
- Insulated

USM 500 355 | 107182



- Transition spigot
- Galvanized steel sheet
- Insulated

MB MPC 01 | 116411



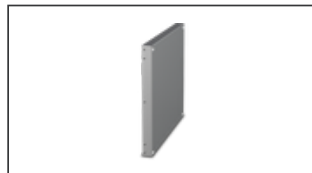
- Motor protection shield
- Sendzimir galvanized sheet

GR MPC 01 | 123430



- Base frame für MPC
- Galvanized steel sheet

UCP 500 | 142567



- Closed panel
- Galvanized steel sheet

UQR 500 315 01 | 136201



- Transition duct/tube
- Galvanized steel sheet
- Incl. 4 cylinder cap screws (M8 x 16 mm), 4 serrated lock washers for nominal size M8

UQR 500 250 01 | 136232



- Transition duct/tube
- Galvanized steel sheet
- Incl. 4 cylinder cap screws (M8 x 16 mm), 4 serrated lock washers for nominal size M8

VM 250 | 102651



- Fast clamps for sound decoupling and sealing
- Galvanized steel sheet, 5 mm
- Neopren gasket
- 1 Pack = 2 pieces

VM 355 | 102653



- Fast clamps for sound decoupling and sealing
- Galvanized steel sheet, 5 mm
- Neopren gasket
- 1 Pack = 2 pieces

AS MPC 250 | 140836



- Inlet spigot
- Galvanized steel sheet

AS MPC 315 | 140844



- Inlet spigot
- Galvanized steel sheet

AS MPC 355 | 140956



- Inlet spigot
- Galvanized steel sheet

WSH MPC 01 | 123431



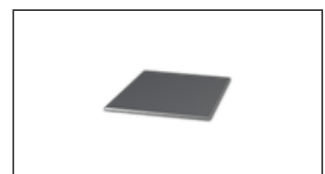
- Weather protection hood
- Galvanized steel sheet

WSG MPC 500 | 140741



- Weather protection grille
- Galvanized steel sheet

RD MPC 500 | 140073



- Rain cover for outdoor installation
- Galvanized steel sheet

VM 315 | 102652



zur Produktseite

MPC 225 E2 T21

137885



- Fast clamps for sound decoupling and sealing
- Galvanized steel sheet, 5 mm
- Neopren gasket
- 1 Pack = 2 pieces

ELECTRICAL ACCESSORIES

GS 01 | 102787



- Isolator switch
- $U_{max} = 400 \text{ V}$, 50/60 Hz
- Switching capacity 400 V 3~ = 5,5 kW
- $I_{max} = 16 \text{ A}$

TEM 035 | 103502



- 5-step transformer
- 230 V, 50/60 Hz, 3.5 A
- Output voltage: 230-190-170-140-110-80-0 V
- Protection class IP 54

TEM 035G | 111580



TES 035 02 | 146195



- 5-step transformer
- 230 V, 50/60 Hz, 3.5 A
- Without housing, control cabinet installation
- Protection class IP 20



zur Produktseite