

# ISOR 150 EC K 01

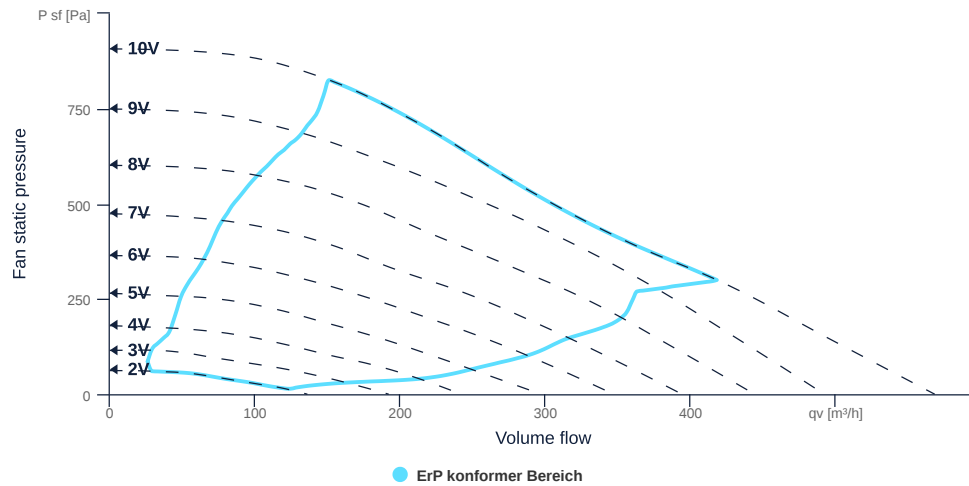
165183

- Soundproof centrifugal fan with backward curved impeller
- Galvanized sheet steel housing
- Connection spigots with double lip seal
- Swing-out fan unit
- EC motor, external rotor, steplessly controllable
- Internal electronic temperature monitoring
- Suitable for outdoor installation



## MAP

Name	Value	Unit
Volume flow	0	m³/h
Pressure	0	Pa



zur Produktseite

# ISOR 150 EC K 01

165183

**ruck**

## GENERAL DATA

Name	Value	Unit	Formula symbol
ERP conformity	Yes		
Duct size	-		WxH <sub>duct</sub>
Pipe connection size (DN)	DN150		DN



zur Produktseite

## GENERAL DATA

Name	Value	Unit	Formula symbol
Rated voltage (entire device)	230	V	U <sub>rated</sub>
Phases (entire device)	1~		phase
Electrical protection (entire device)	6 A		fuse
Housing material	Galvanized steel		mat <sub>casing</sub>
Impeller material	Plastic		mat <sub>impeller</sub>
IP-protection class (entire device)	IP54		IP <sub>compl</sub>
IP-Protection class (terminal box)	IP66		IP <sub>ebox</sub>
Weight	12.2	kg	m
Nominal air flow rate, nominal point m <sup>3</sup> /h	273.6	m <sup>3</sup> /h	q <sub>v,nom</sub>
Nominal external pressure, static	564.1	Pa	p <sub>s,nom</sub>
Fan type	Radial		Fan <sub>type</sub>
Category / Installation situation	A		cat

## ERP DATA (LOT 6)

Name	Value	Unit	Formula symbol
Nominal air flow rate, nominal point m <sup>3</sup> /s	0.08	m <sup>3</sup> /s	q <sub>v,nom</sub>
Actual electrical input power, nominal point	0.11	kW	P <sub>e,nom</sub>
Face velocity, nominal point	4.3	m/s	v <sub>nom</sub>
Nominal external pressure, static	564.1	Pa	p <sub>s,nom</sub>
supply air fan static efficiency, nominal point	49.7	%	η <sub>es,SUP</sub>
Highest external air leakage rate	1	%	
Enclosure sound level, nominal point	60	dB(A)	L <sub>WA2</sub>
Rating	Product is compliant 2018		

## MAXIMAL DATA

Name	Value		Unit	Formula symbol
	50 Hz	60 Hz		
Max. power consumption (device)	118	118	W	P <sub>ed,max</sub>
Max. operating current (device)	0.98	0.98	A	I <sub>ed,max</sub>
Max. speed	4000	4000	1/min	n <sub>max</sub>
Max. stat. efficiency	35.8	35.8	%	η <sub>es</sub>
Max. fan efficiency	36.5	36.5	%	η <sub>e</sub>
Max. flowrate	570	570	m <sup>3</sup> /h	q <sub>v,max</sub>
Max. stat pressure	910	910	Pa	p <sub>sf,max</sub>
Max. medium temperature	50	50	°C	T <sub>m,max</sub>
Max. environment temperature	50	50	°C	T <sub>amb,max</sub>
Min. environment temperature	-30	-30	°C	T <sub>amb,min</sub>

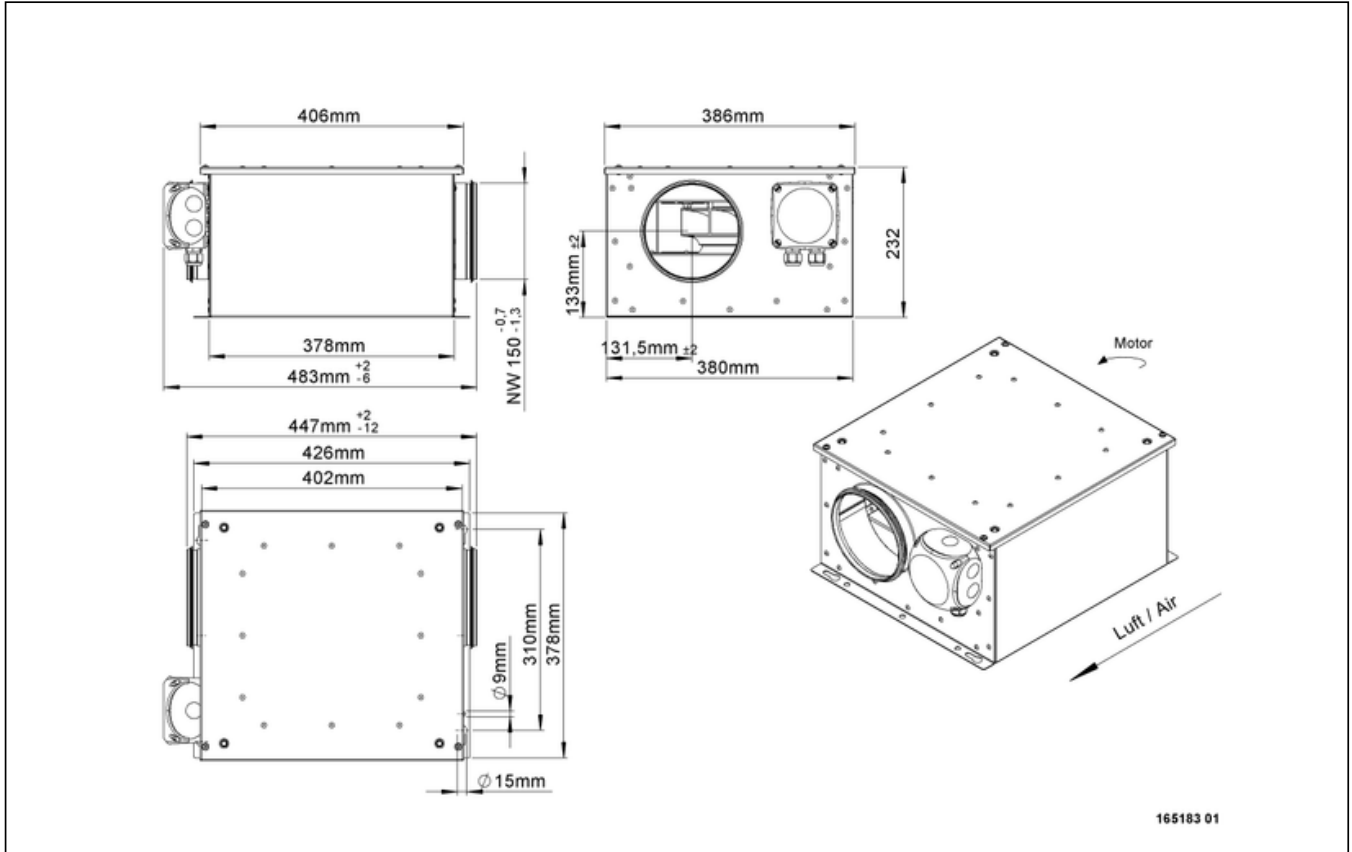


zur Produktseite

# ISOR 150 EC K 01

165183

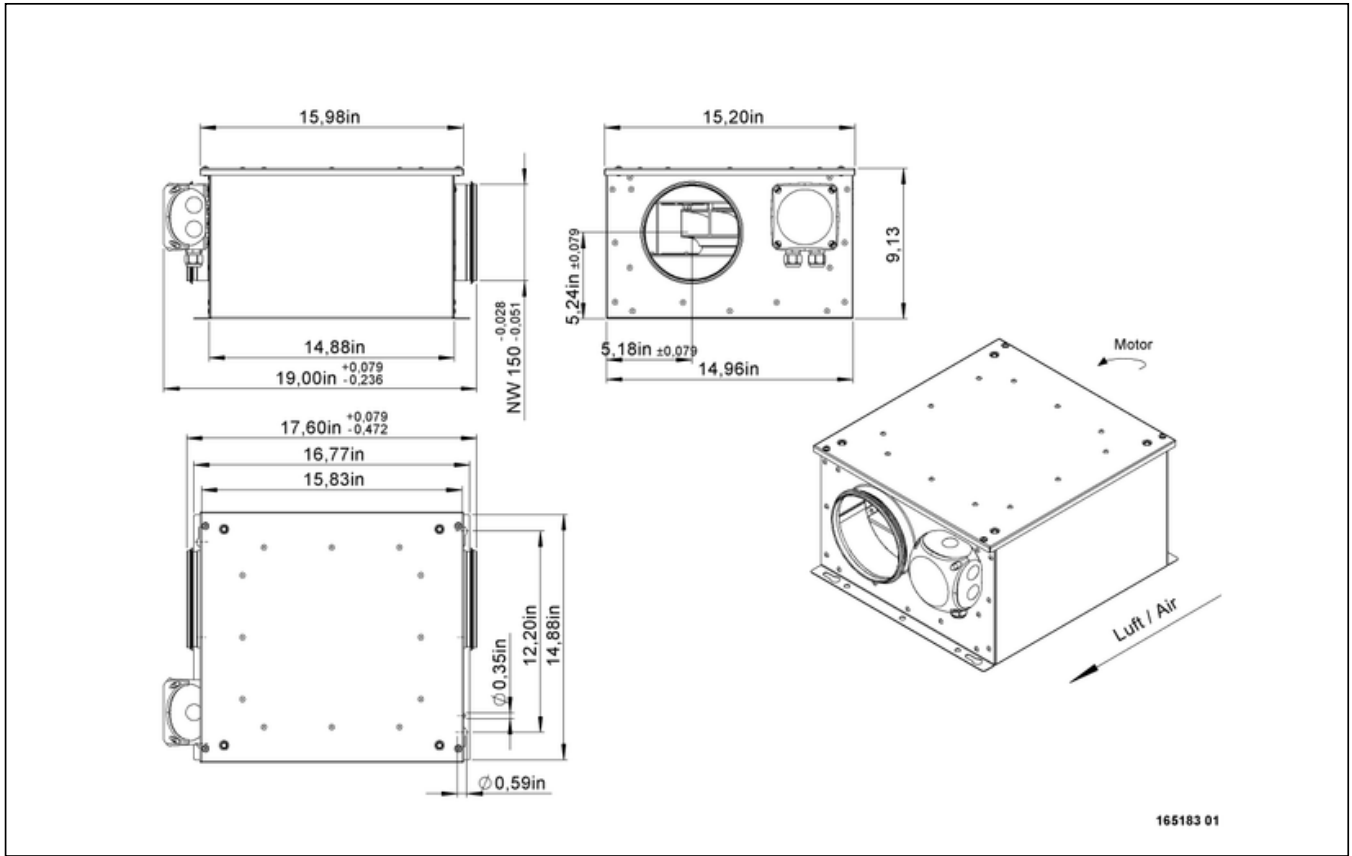
## SCHALTPLÄNE / MASSZEICHNUNGEN



zur Produktseite

# ISOR 150 EC K 01

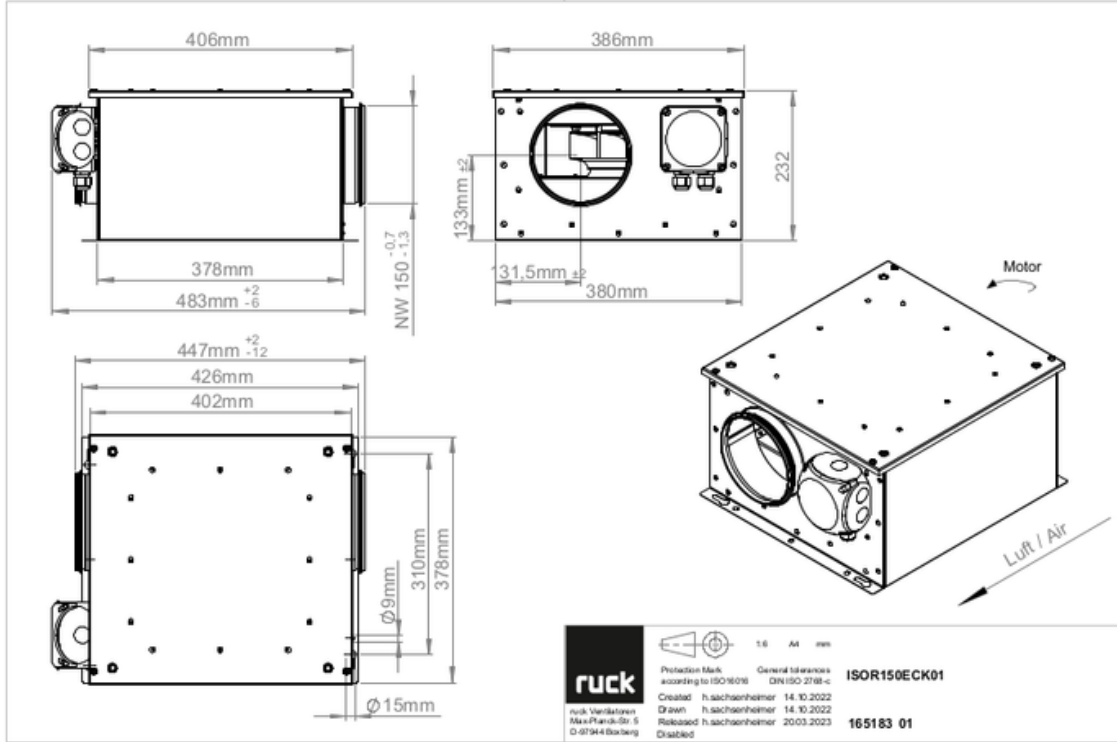
165183



zur Produktseite

# ISOR 150 EC K 01

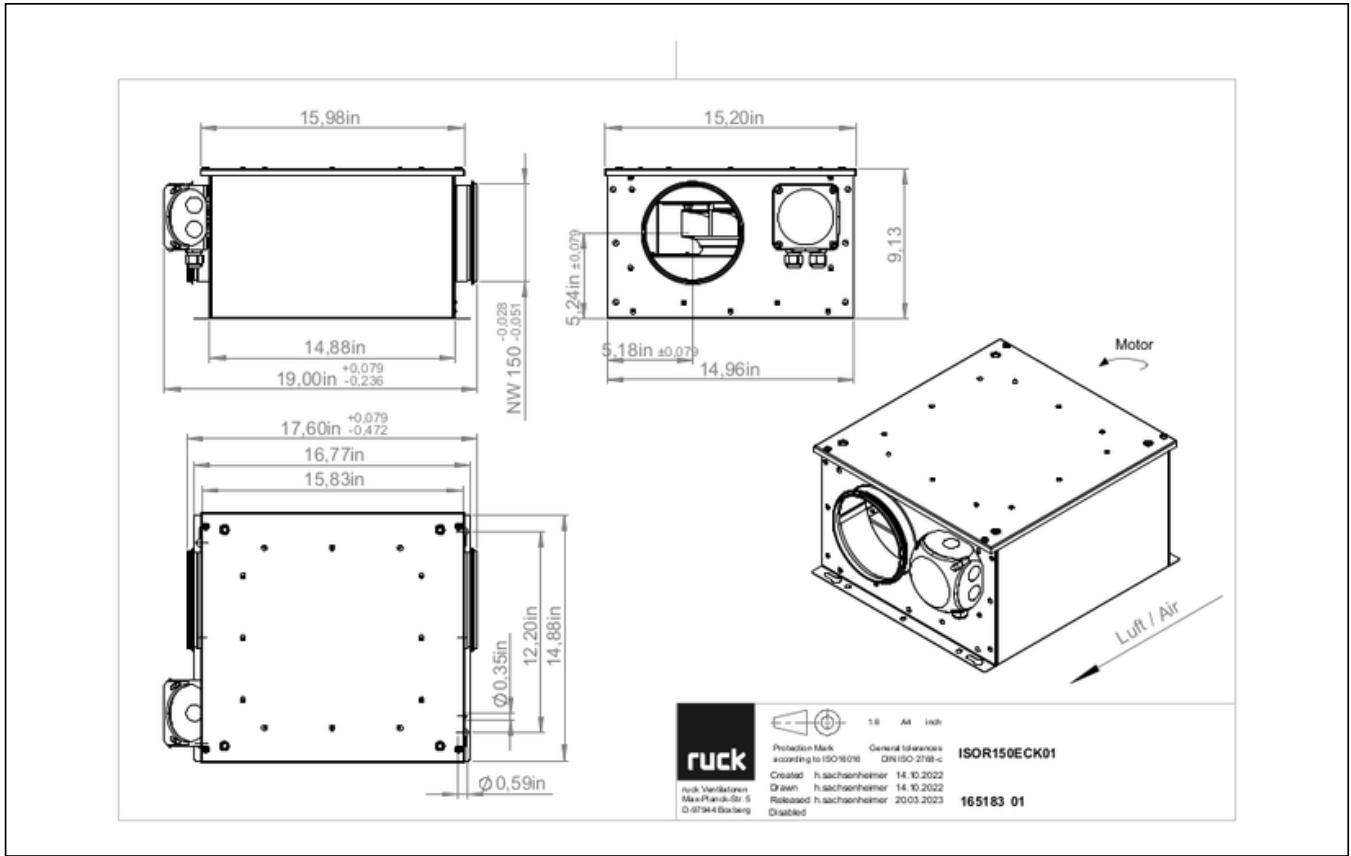
165183



zur Produktseite

# ISOR 150 EC K 01

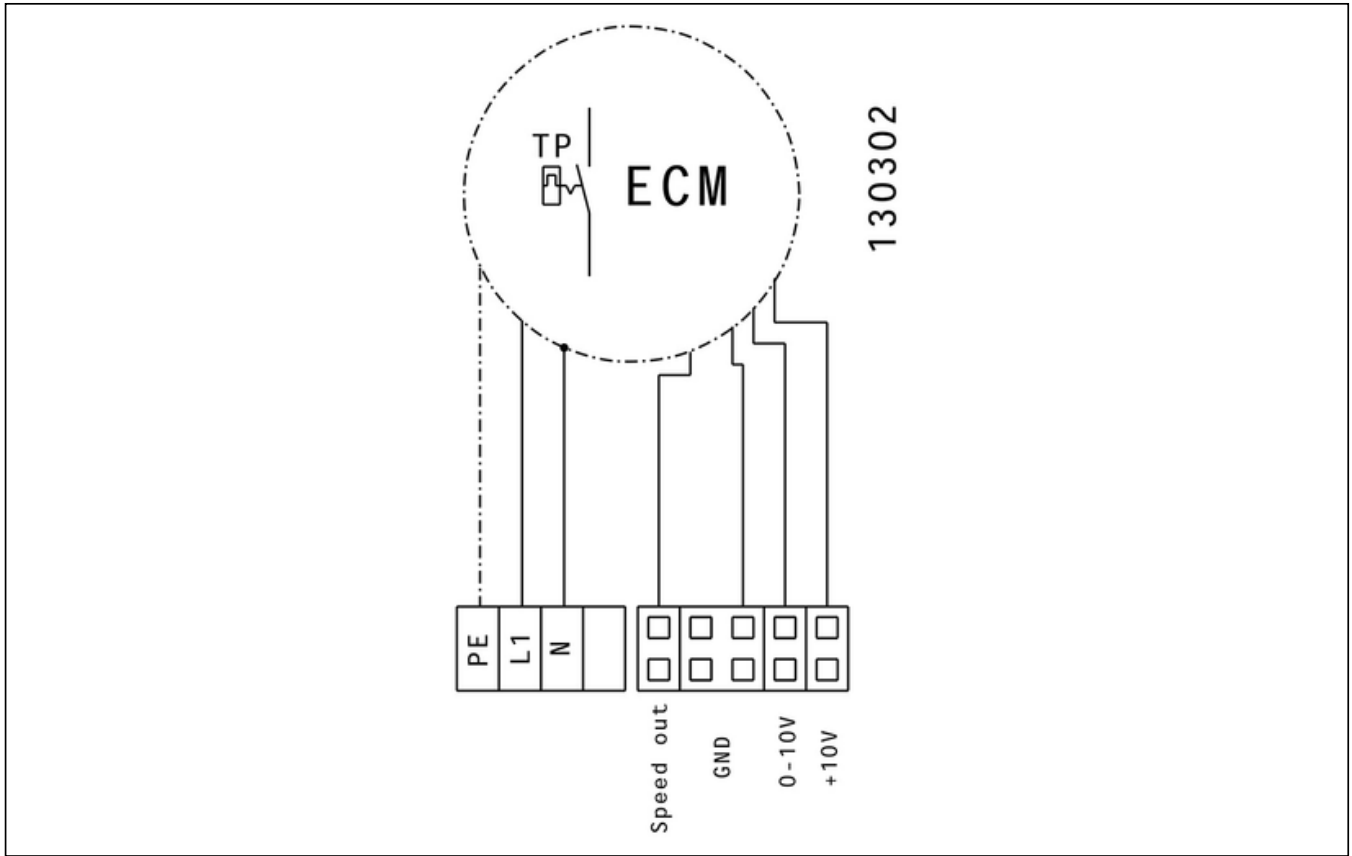
165183



zur Produktseite

# ISOR 150 EC K 01

165183



zur Produktseite

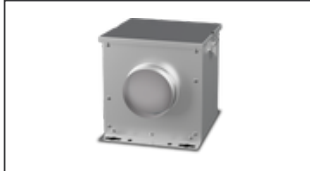


# ISOR 150 EC K 01

165183

## MECHANICAL ACCESSORIES

**FV 150 | 112680**



- Air filter box with mat filter ISO Coarse 45 % (G3)
- Toggle-type fastener

**FT 150 | 112842**



- Air filter box for pocket filter
- Toggle-type fastener
- Galvanized steel sheet housing
- Without filter

**FTW 150 | 112851**



- Air filter box with pocket filter M5
- Integrated warm water heating coil
- Galvanized steel sheet housing
- Toggle-type fastener

**RSK 150 | 102660**



- Back draught shutter for tube fitting
- Galvanized steel sheet housing
- Aluminum flaps

**RSK 150D | 113484**



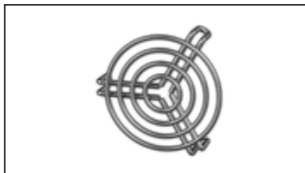
- Back draught shutter for tube fitting
- Galvanized steel sheet housing
- Aluminum flaps
- Integrated gasket

**VM 150 | 102648**



- Fast clamps for sound decoupling and sealing
- Galvanized steel sheet, 5 mm
- Neopren gasket
- 1 Pack = 2 pieces

**SG 150 01 | 102896**



- Protection grille for tube connection
- Galvanized wire

**SDS 150 | 102714**



- Rigid tube silencer
- Galvanized steel sheet
- Sound insulation packing 50 mm (mineral wool)

**SDF 150 | 102702**



- Flexible tube silencer
- Galvanized steel sheet
- Sound insulation packing 50 mm



zur Produktseite

# ISOR 150 EC K 01

165183

## ELECTRICAL ACCESSORIES

**GS 03 | 107633**



- Device switch
- $U_{max} = 400\text{ V}$ ,  $I_{max} = 25\text{ A}$
- Switching capacity  $400\text{ V } 3\sim = 5,5\text{ kW}$
- Protection class IP 55

**MTP 20 | 128146**



- Potentiometer  $10\text{ k}\Omega$
- Switching contact  $1\text{A}/250\text{V AC}$  -  $2,5\text{A}/12\text{V DC}$
- Max. ambient temperature  $50\text{ }^\circ\text{C}$
- VDE

**MTP 30 | 143289**



- Stepped potentiometer  $10\text{ k}\Omega$
- Step 1 + 2 settable  $10\% - 100\% \text{ Vdc}$
- Step 3  $100\% \text{ Vdc}$
- Supply voltage  $+10\text{ Vdc}$

**MTP 40 | 147359**



- Potentiometer  $10\text{ k}\Omega$
- Connection in terminal box
- Max. ambient temperature  $50\text{ }^\circ\text{C}$
- PU: 20 pieces

**CON P1000 | 115259**



- Constant pressure control
- Actual value display possible via optional control unit
- Output  $0-10\text{ V DC}$  + FC enable + setpoint reached
- Pressure setting by means of decade switch

**MTP 50 | 153133**



- Potentiometer with multifunction output
- $230\text{ VAC } \pm 10\% / 50-60\text{ Hz}$
- Selectable output:  $1-10\text{ VDC}$  /  $2-20\text{ mA}$  /  $10-100\% \text{ PWM}$
- Min. and max. output value adjustable



zur Produktseite