

ISOR 125 EC K 01

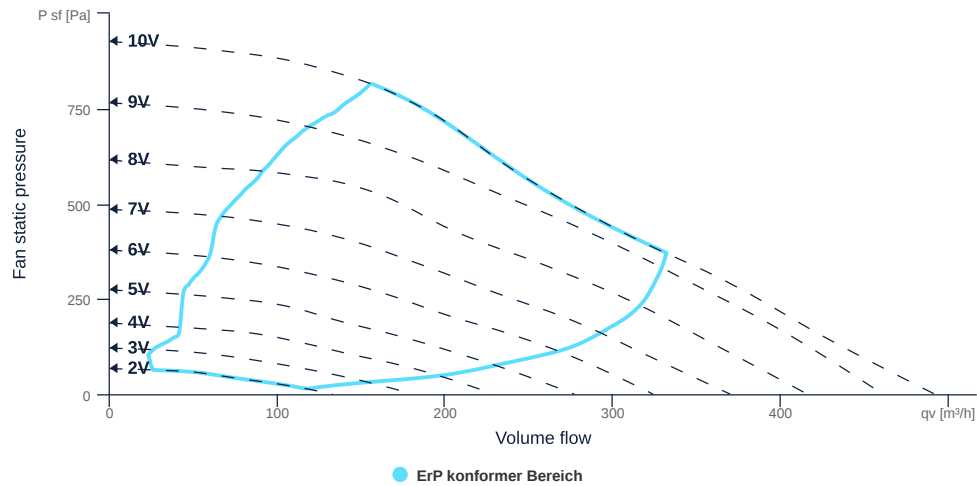
165180

- Soundproof centrifugal fan with backward curved impeller
- Galvanized sheet steel housing
- Connection spigots with double lip seal
- Swing-out fan unit
- EC motor, external rotor, steplessly controllable
- Internal electronic temperature monitoring
- Suitable for outdoor installation



MAP

Name	Value	Unit
Volume flow	0	m³/h
Pressure	0	Pa



zur Produktseite

ISOR 125 EC K 01

165180

ruck

GENERAL DATA

Name	Value	Unit	Formula symbol
ERP conformity	Yes		
Duct size	-		WxH _{duct}
Pipe connection size (DN)	DN125		DN



zur Produktseite

GENERAL DATA

Name	Value	Unit	Formula symbol
Rated voltage (entire device)	230	V	U _{rated}
Phases (entire device)	1~		phase
Electrical protection (entire device)	6 A		fuse
Housing material	Galvanized steel		mat _{casing}
Impeller material	Plastic		mat _{impeller}
IP-protection class (entire device)	IP54		IP _{compl}
IP-Protection class (terminal box)	IP66		IP _{ebox}
Weight	12.23	kg	m
Nominal air flow rate, nominal point m ³ /h	172.8	m ³ /h	q _{v,nom}
Nominal external pressure, static	360.5	Pa	p _{s,nom}
Fan type	Radial		Fan _{type}
Category / Installation situation	A		cat

ERP DATA (LOT 6)

Name	Value	Unit	Formula symbol
Nominal air flow rate, nominal point m ³ /s	0.05	m ³ /s	q _{v,nom}
Actual electrical input power, nominal point	0.05	kW	P _{e,nom}
Face velocity, nominal point	3.9	m/s	v _{nom}
Nominal external pressure, static	360.5	Pa	p _{s,nom}
supply air fan static efficiency, nominal point	49.7	%	η _{es,SUP}
Highest external air leakage rate	1.58	%	
Enclosure sound level, nominal point	62	dB(A)	L _{WA2}
Rating	Product is compliant 2018		

MAXIMAL DATA

Name	Value		Unit	Formula symbol
	50 Hz	60 Hz		
Max. power consumption (device)	118	118	W	P _{ed,max}
Max. operating current (device)	1	1	A	I _{ed,max}
Max. speed	4010	4010	1/min	n _{max}
Max. stat. efficiency	32.5	32.5	%	η _{es}
Max. fan efficiency	33.4	33.4	%	η _e
Max. flowrate	490	490	m ³ /h	q _{v,max}
Max. stat pressure	930	930	Pa	p _{sf,max}
Max. medium temperature	50	50	°C	T _{m,max}
Max. environment temperature	50	50	°C	T _{amb,max}
Min. environment temperature	-30	-30	°C	T _{amb,min}

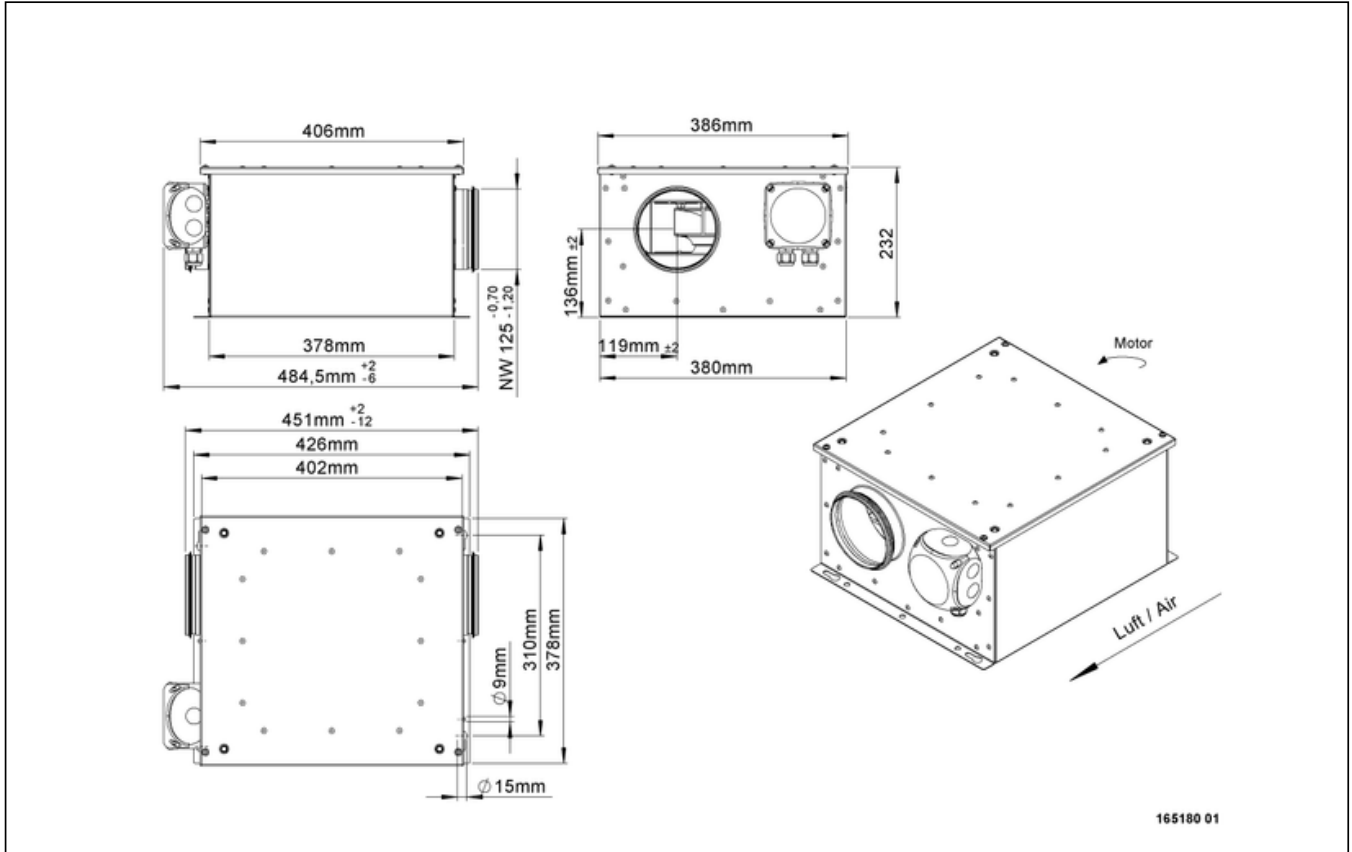


zur Produktseite

ISOR 125 EC K 01

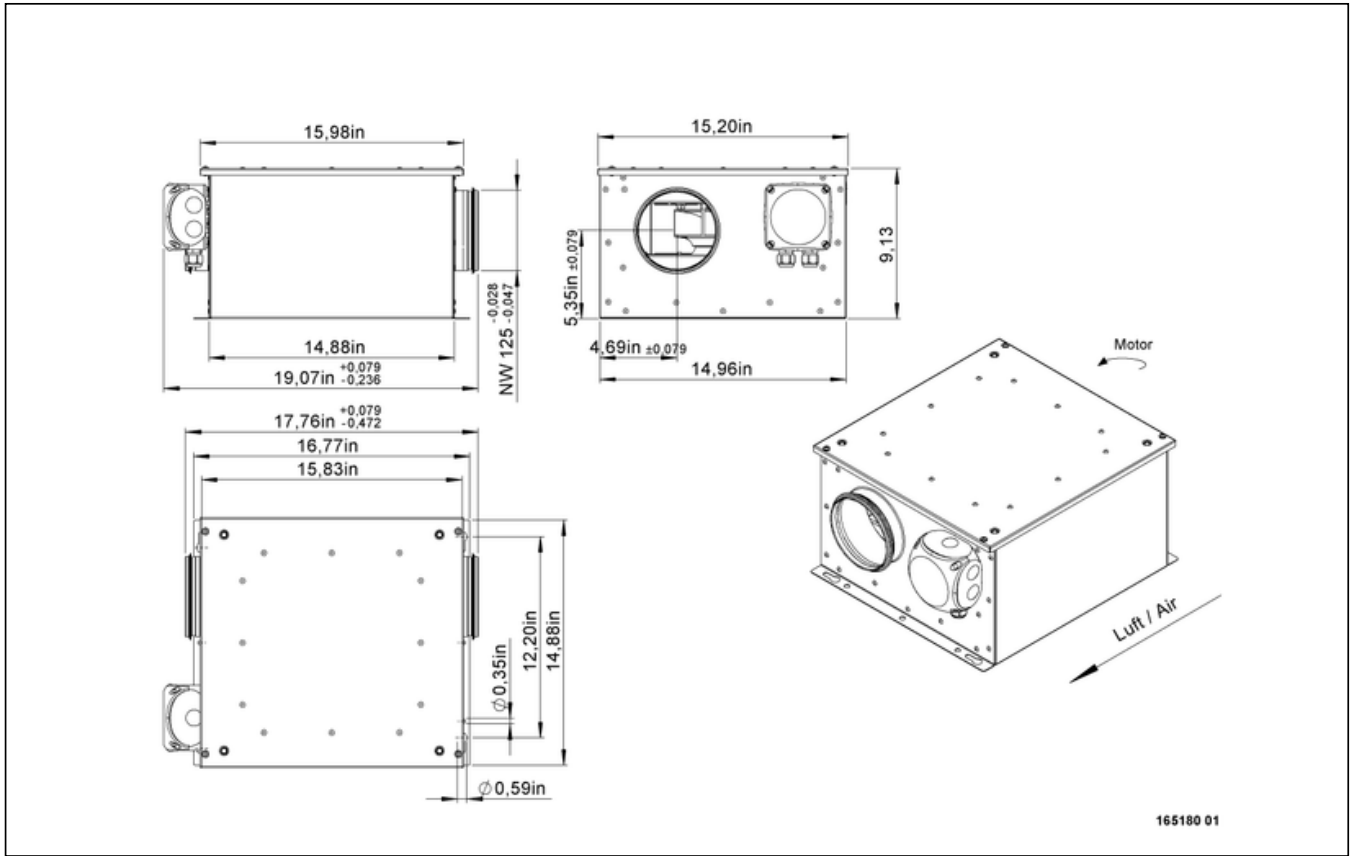
165180

SCHALTPLÄNE / MASSZEICHNUNGEN



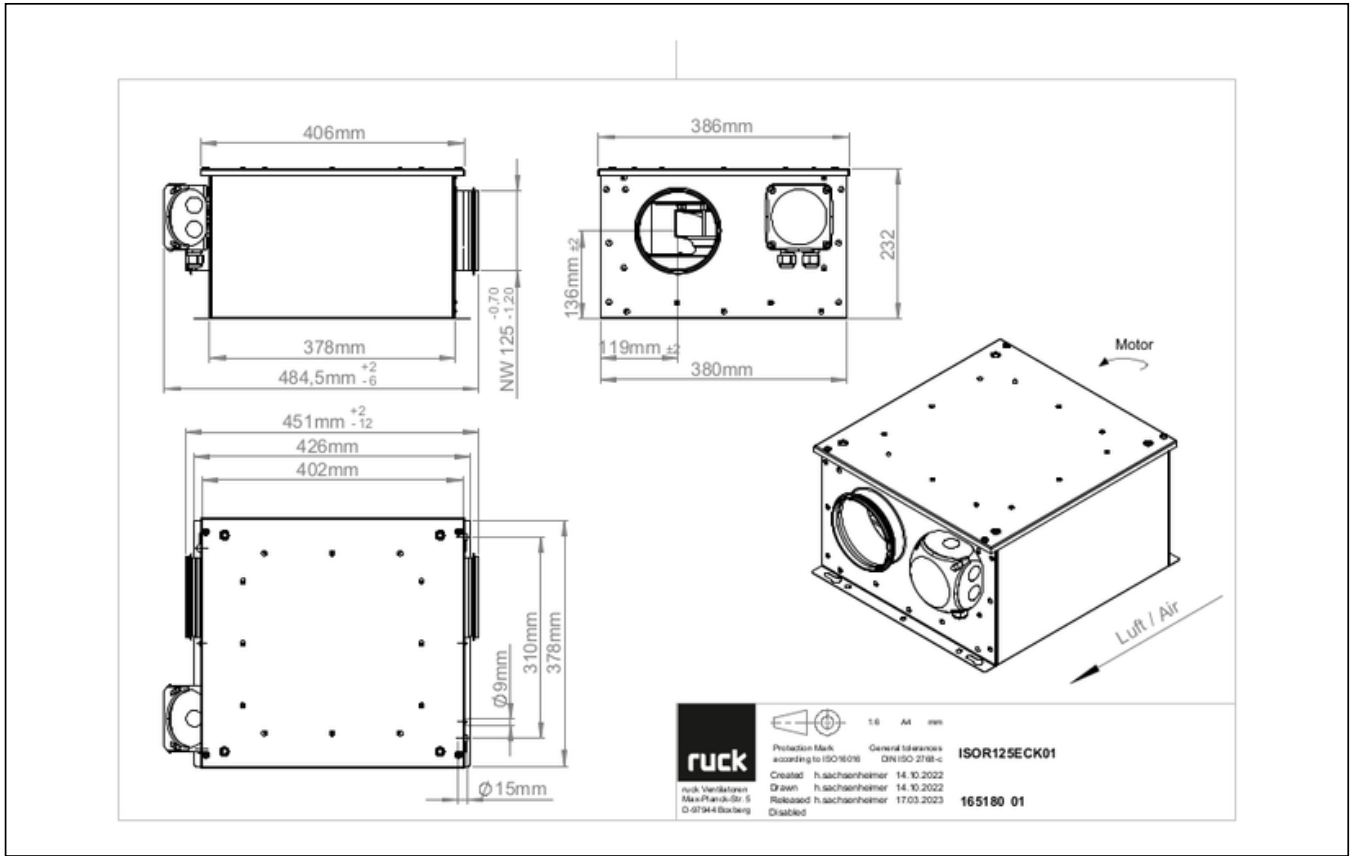
ISOR 125 EC K 01

165180



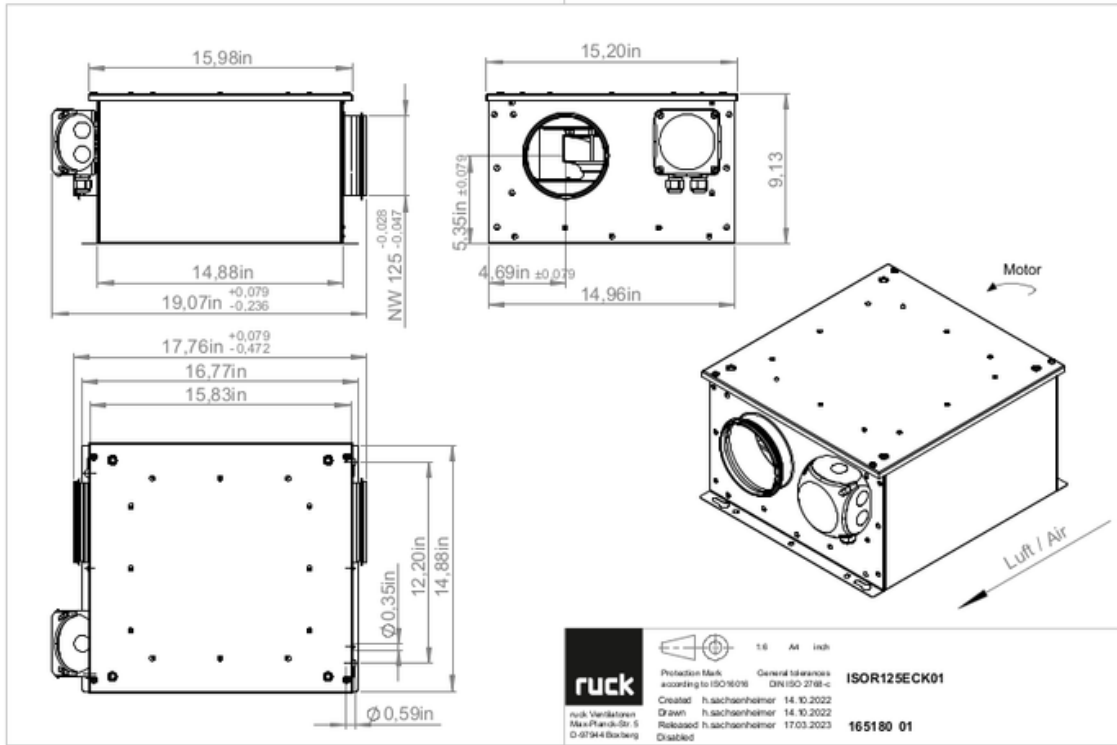
ISOR 125 EC K 01

165180



ISOR 125 EC K 01

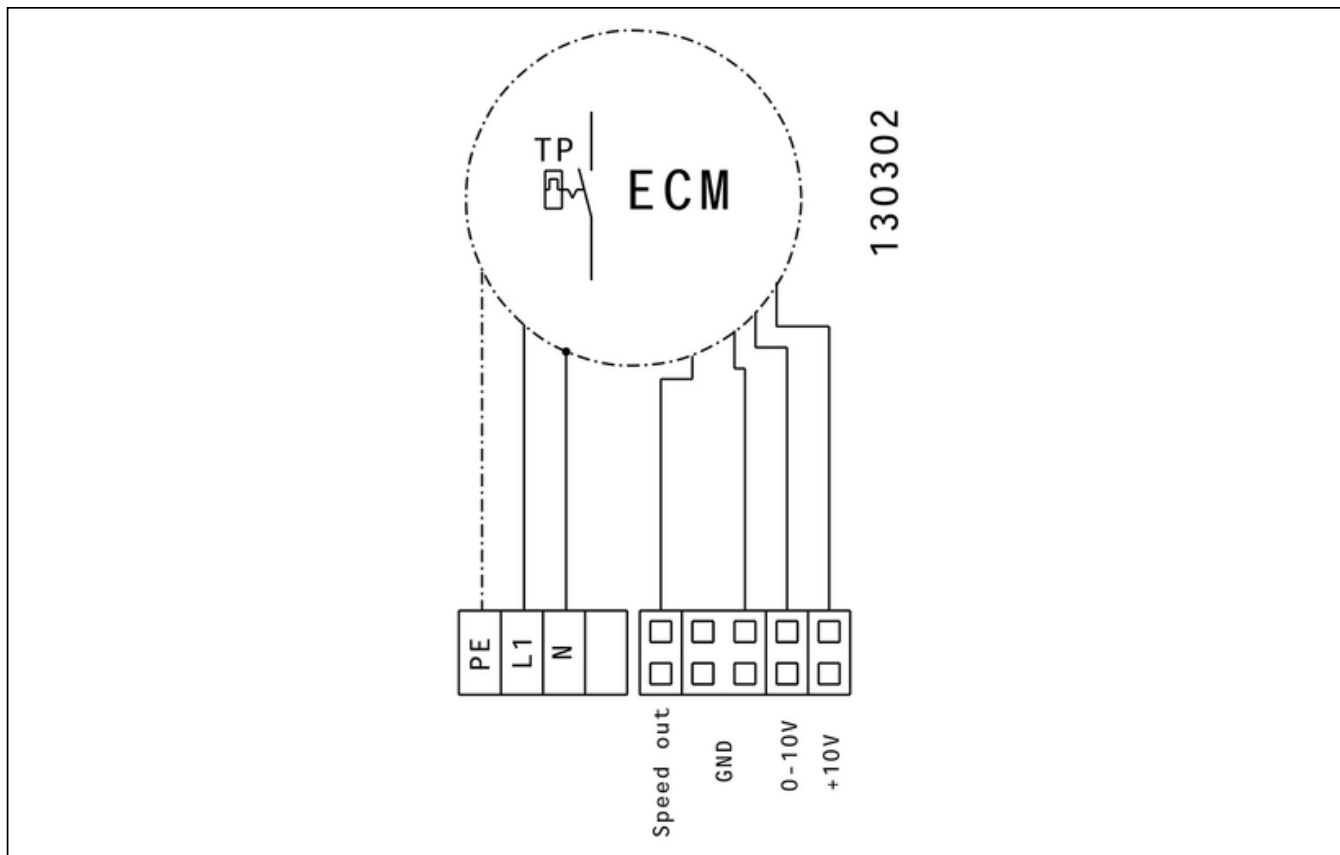
165180



zur Produktseite

ISOR 125 EC K 01

165180



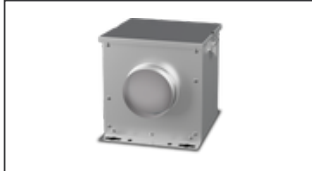
zur Produktseite

ISOR 125 EC K 01

165180

MECHANICAL ACCESSORIES

FV 125 | 112679



- Air filter box with mat filter ISO Coarse 45 % (G3)
- Toggle-type fastener

FT 125 | 112843



- Air filter box for pocket filter
- Toggle-type fastener
- Galvanized steel sheet housing
- Without filter

FTW 125 | 112850



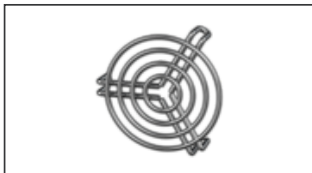
- Air filter box with pocket filter M5
- Integrated warm water heating coil
- Galvanized steel sheet housing
- Toggle-type fastener

RSK 125 | 102179



- Back draught shutter for tube fitting
- Galvanized steel sheet housing
- Aluminum flaps

SG 125 01 | 102895



- Protection grille for tube connection
- Galvanized wire

SDF 125 | 102700



- Flexible tube silencer
- Galvanized steel sheet
- Sound insulation packing 50 mm

SDS 125 | 102712



- Rigid tube silencer
- Galvanized steel sheet
- Sound insulation packing 50 mm (mineral wool)

VM 125 | 102647



- Fast clamps for sound decoupling and sealing
- Galvanized steel sheet, 5 mm
- Neopren gasket
- 1 Pack = 2 pieces

RSK 125D | 113483



- Back draught shutter for tube fitting
- Galvanized steel sheet housing
- Aluminum flaps
- Integrated gasket



zur Produktseite

ISOR 125 EC K 01

165180

ELECTRICAL ACCESSORIES

GS 03 | 107633



- Device switch
- $U_{max} = 400\text{ V}$, $I_{max} = 25\text{ A}$
- Switching capacity $400\text{ V } 3\text{-} = 5,5\text{ kW}$
- Protection class IP 55

MTP 20 | 128146



- Potentiometer $10\text{ k}\Omega$
- Switching contact $1\text{A}/250\text{V AC}$ - $2,5\text{A}/12\text{V DC}$
- Max. ambient temperature $50\text{ }^\circ\text{C}$
- VDE

MTP 30 | 143289



- Stepped potentiometer $10\text{ k}\Omega$
- Step 1 + 2 settable $10\% - 100\% \text{ Vdc}$
- Step 3 $100\% \text{ Vdc}$
- Supply voltage $+10\text{ Vdc}$

MTP 40 | 147359



- Potentiometer $10\text{ k}\Omega$
- Connection in terminal box
- Max. ambient temperature $50\text{ }^\circ\text{C}$
- PU: 20 pieces

CON P1000 | 115259



- Constant pressure control
- Actual value display possible via optional control unit
- Output $0-10\text{ V DC}$ + FC enable + setpoint reached
- Pressure setting by means of decade switch

MTP 50 | 153133



- Potentiometer with multifunction output
- $230\text{ VAC } \pm 10\% / 50-60\text{ Hz}$
- Selectable output: $1-10\text{ VDC}$ / $2-20\text{ mA}$ / $10-100\% \text{ PWM}$
- Min. and max. output value adjustable



zur Produktseite