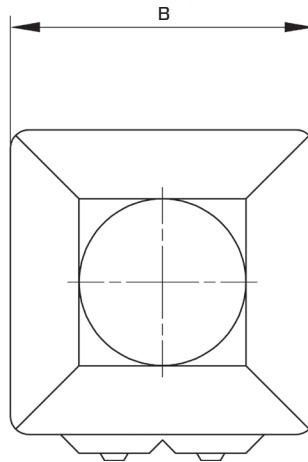
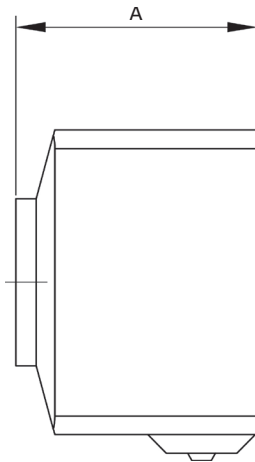


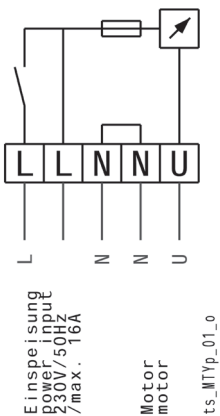
## Electronic Controller MTY



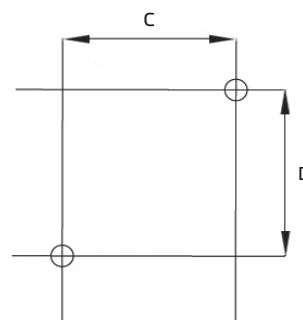
Type	ID	I <sub>max.</sub> A	A mm	B mm	C mm	D mm	Weight kg
MTY 1	103428	1,0	65	82	62	62	0,2
MTY 2	103424	2,0	65	82	62	62	0,2

- Electronic Controller MTY
- 230 V ~, 50 Hz
- Variable
- Surface and flush mounting
- Max. ambient temp 35 °C
- VDE
- Protection Class IP 44

### Wiring diagram :



### Mounting :



**Legend:**  
I<sub>max.</sub> = Max. operating current